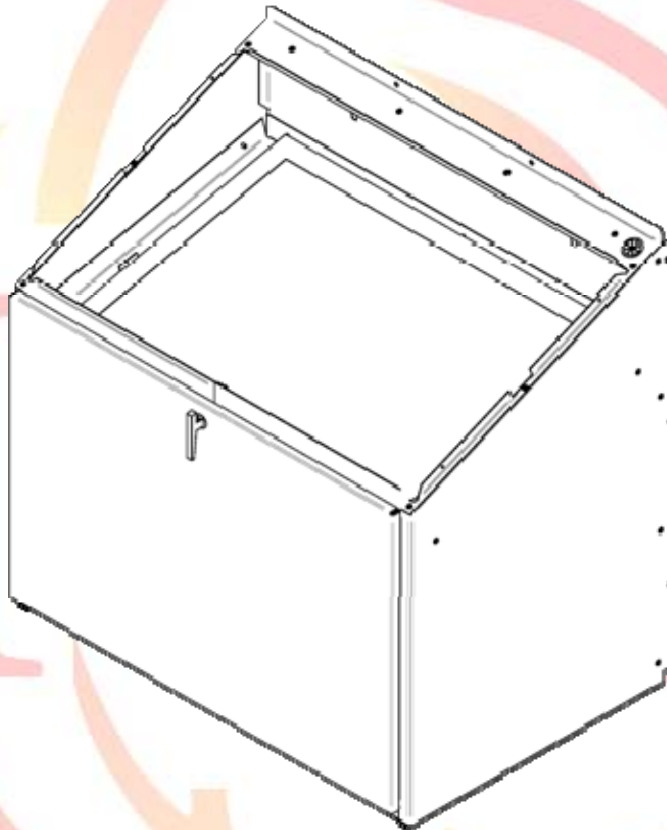


# INSTALLATION INSTRUCTIONS FOR THE BLOWER ASSEMBLY

## PA08520

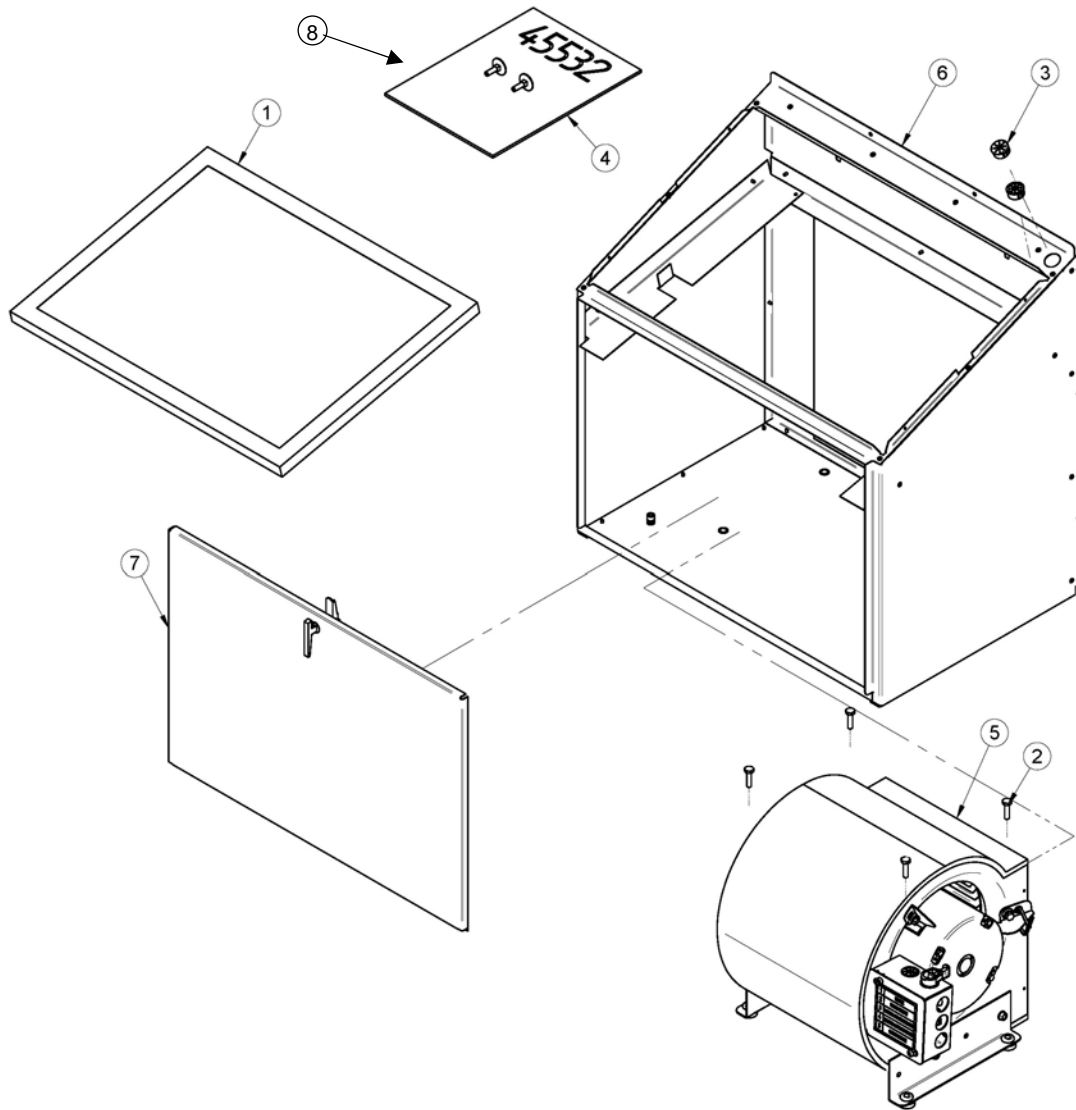
### MINI-CADDY FURNACE

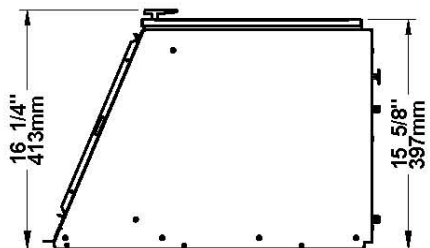
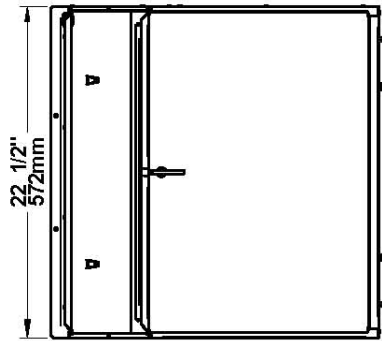
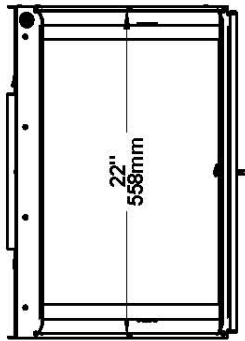
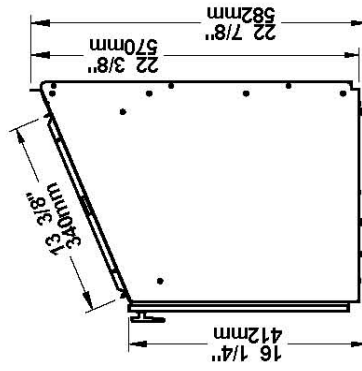
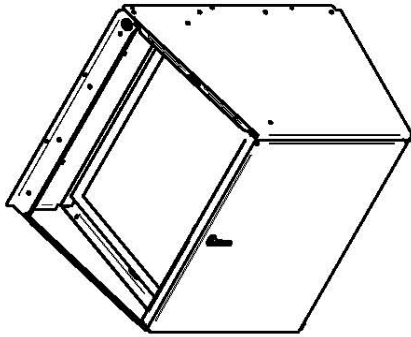
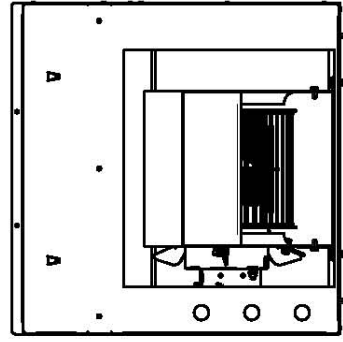
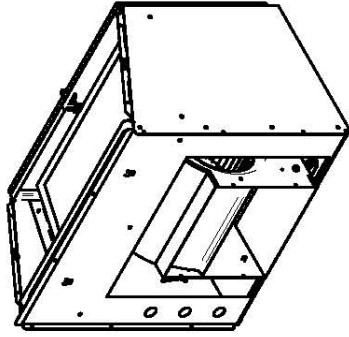


*This manual is available for free download on the manufacturer's web site. It is a copyrighted document. Re-sale is strictly prohibited. The manufacturer may update this manual from time to time and cannot be responsible for problems, injuries, or damages arising out of the use of information contained in any manual obtained from unauthorized sources.*

**Blower assembly kit content:**

CONTENT OF THE BOX PA08520	
1	1 X MINI CADDY CARDBOARD AIR FILTER 20" X 15" X 1"
2	4 X BOLT HEX 1/4" - 20 X 1"
3	2 X BLACK UNIVERSAL SNAP-IN BUSHING
4	1 X INSTALLATION INSTRUCTIONS FOR THE BLOWER ASSEMBLY
5	1 X BLOWER ASSEMBLY
6	1 X BLOWER BOX ASSEMBLY
7	1 X BLOWER BOX DOOR ASSEMBLY
8	2 X LEVELING BOLT 1/4 - 20 x 1"

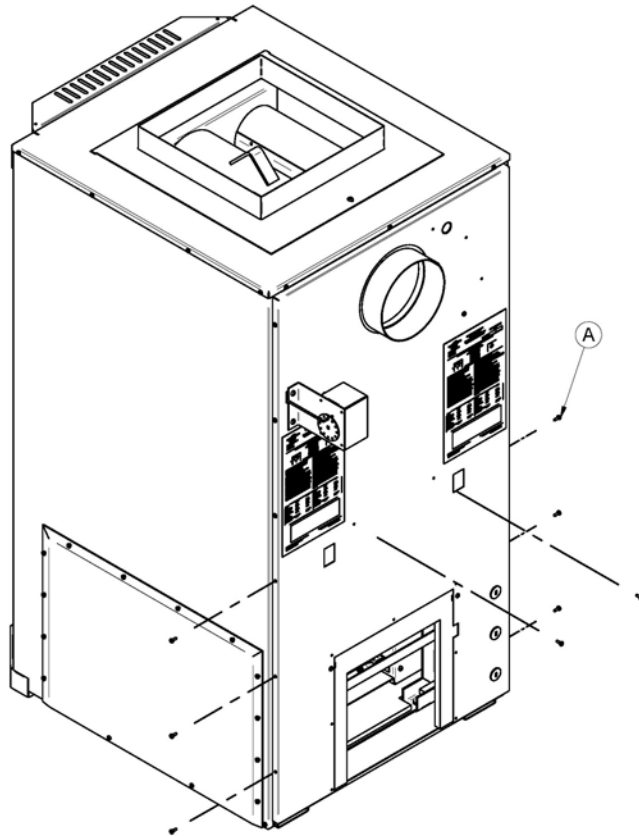




## INSTALLATION OF THE BLOWER BOX ASSEMBLY

### 1

Remove the eight screws (A) from the furnace as shown. Keep these screws.

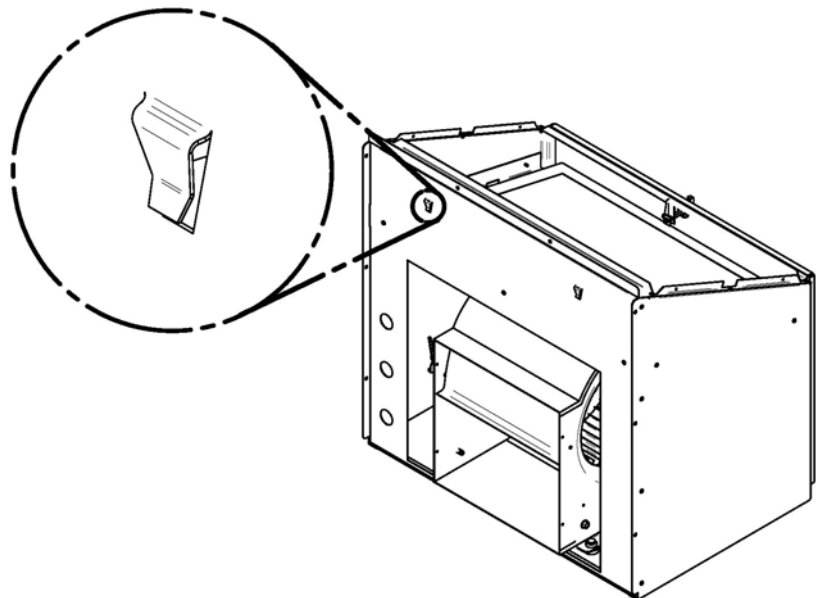


### 2

Make sure you attach the blower box using the clips located on the front of the blower box.

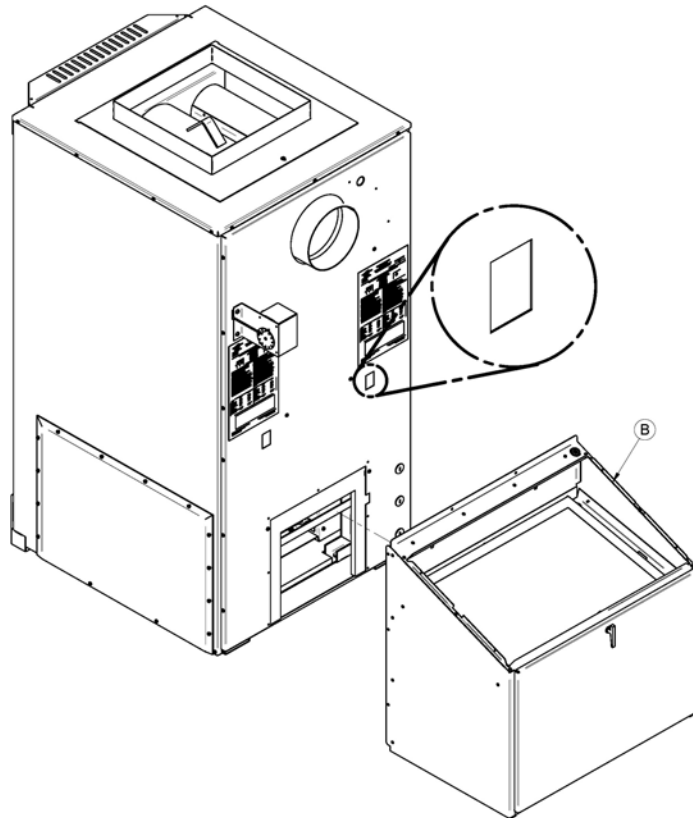
The clips are used to hook the blower box to the furnace to facilitate securing. Be careful not to bend them.

Install the elevator bolts into the holes provided for this purpose under the blower box.



### 3

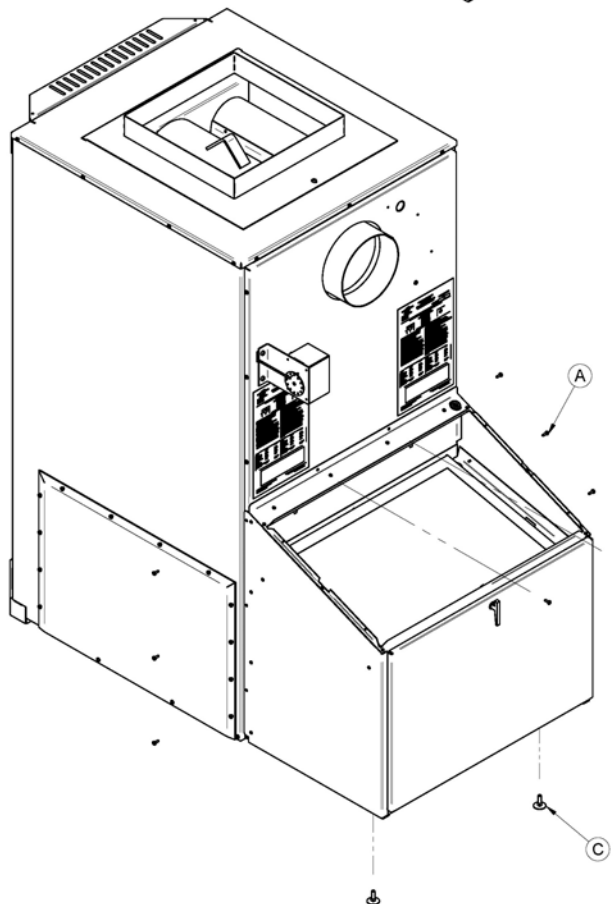
Insert the clips from the blower box (B) into the holes provided for this purpose on the back of the furnace.



### 4

Secure the blower box to the furnace using the screws (A) you have kept in **Step 2**.

Level your blower box using the elevator bolts (C).

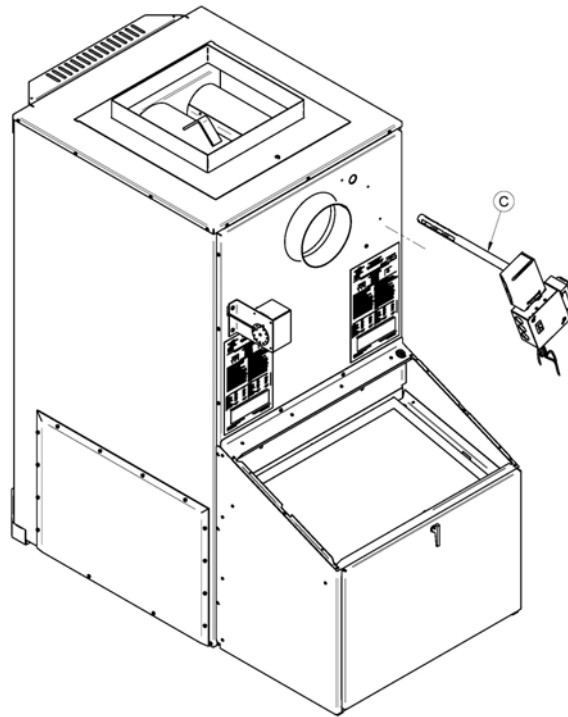


## INSTALLATION OF THE FAN LIMIT KIT FOR THE WOOD ONLY FURNACE

### 5

The fan limit control kit (C) PA00500 is not supplied with the furnace.

Remove the cover on the fan limit control and the cover on the junction box. Slide the fan limit control's probe in the opening provided in the upper right corner next to the flue outlet. Secure the fan limit control with screws (not supplied) in the holes intended for this purpose. Once the wiring as per **Appendix 1** is completed, put back the covers.



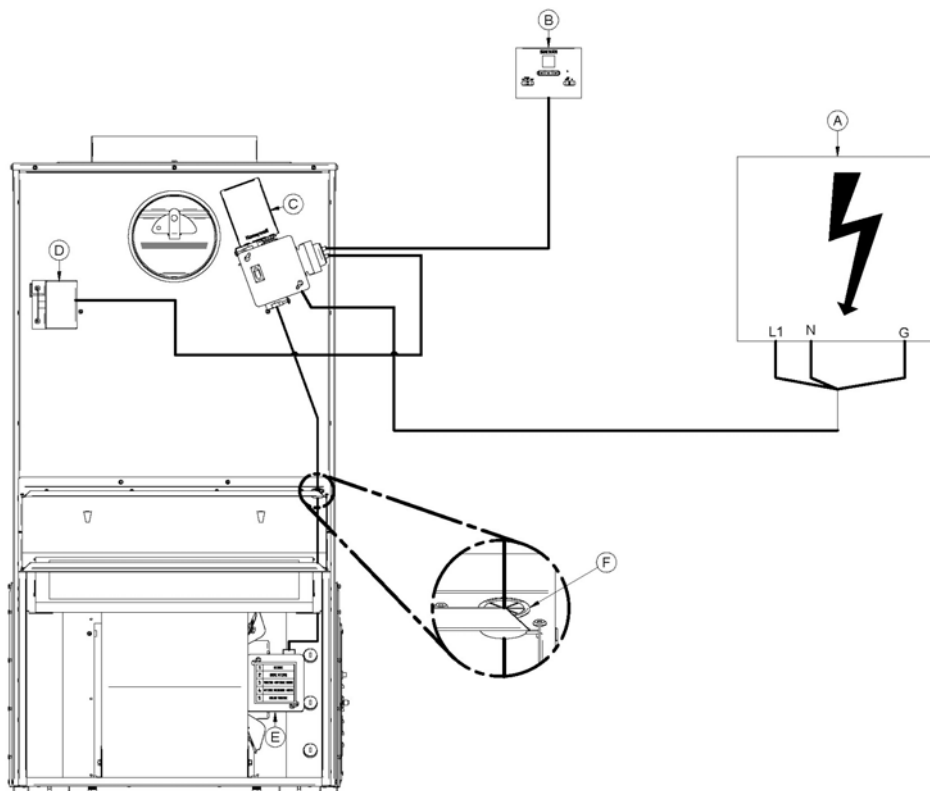
# Appendix 1 - Wiring of all of the elements on the Mini-Caddy furnace with blower

*Valid for the installation of the wood only unit. For wood-electric combination, refer to owner's manual.*

**Note:** cables for the various components listed below are not supplied with the fan limit kit except for the blower cable.

- Run a 14-2 cable from the main entrance (A) to the fan limit control's junction box (C).
- Run the cable from the fan limit control's junction box (C) to the blower (E). Run the cable through the hole provided for that purpose (F).
- Run an 18-2 cable from the thermostat (B) to the fan limit kit's transformer (C).
- Run an 18-2 cable from the servomotor (D) to the fan limit kit's transformer (C).
- Make the connections as per **Appendix 2**.

\*Note for installation: when connecting the blower, it is suggested to use the "LOW" speed for summer speed and "MED LOW" or "MED HIGH" in heating, depending on the ventilation requirements.



## Appendix 2 – Wiring diagram

