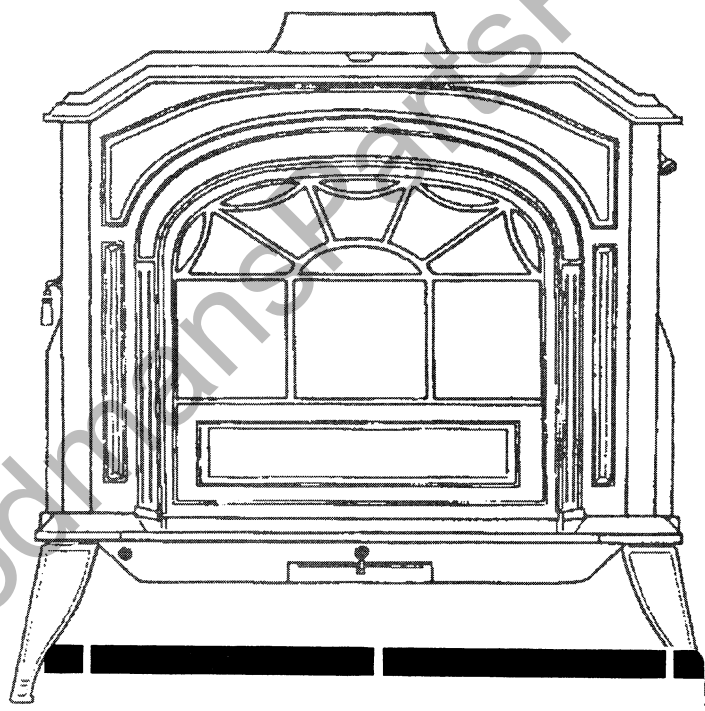


Resolute Acclaim[®] Owner's Guide

For use in the United States and Canada



Resolute Acclaim 0041

SAFETY NOTICE: IF YOUR RESOLUTE ACCLAIM IS NOT PROPERLY INSTALLED, OPERATED, AND MAINTAINED, A HOUSE FIRE MAY RESULT. FOR SAFETY, FOLLOW ALL INSTALLATION, OPERATION, AND MAINTENANCE DIRECTIONS. CONTACT LOCAL BUILDING OFFICIALS ABOUT RESTRICTIONS AND INSTALLATION INSPECTION REQUIREMENTS IN YOUR AREA.

VERMONT CASTINGS, INC.

Introduction

Thank you for choosing a Vermont Castings' Resolute Acclaim.

Your stove is one of the finest available. It features high efficiency, non-catalytic performance, using space-age refractory material and the precisely calibrated delivery of air to a concentrated charcoal bed to promote secondary combustion in a controlled environment.

If treated properly and operated according to the guidelines in this manual it will provide years of safe, dependable, and economical heating.

The Resolute Acclaim has been tested and is listed by Warnock Hersey International of Middleton, Wisconsin. The test standards are ANSI/UL-1482 and 737 for the United States and ULC S627 and CAN/CSA B366.2 for Canada. The Resolute Acclaim is listed for burning wood. Do not burn other fuels. The Resolute Acclaim is not listed for installation in mobile homes.

The Vermont Castings' Resolute Acclaim is in compliance with the standards set forth by the Federal Environmental Protection Agency, 40 CFR Part 60.532(b)(2), as stated on the permanent label attached to each stove.

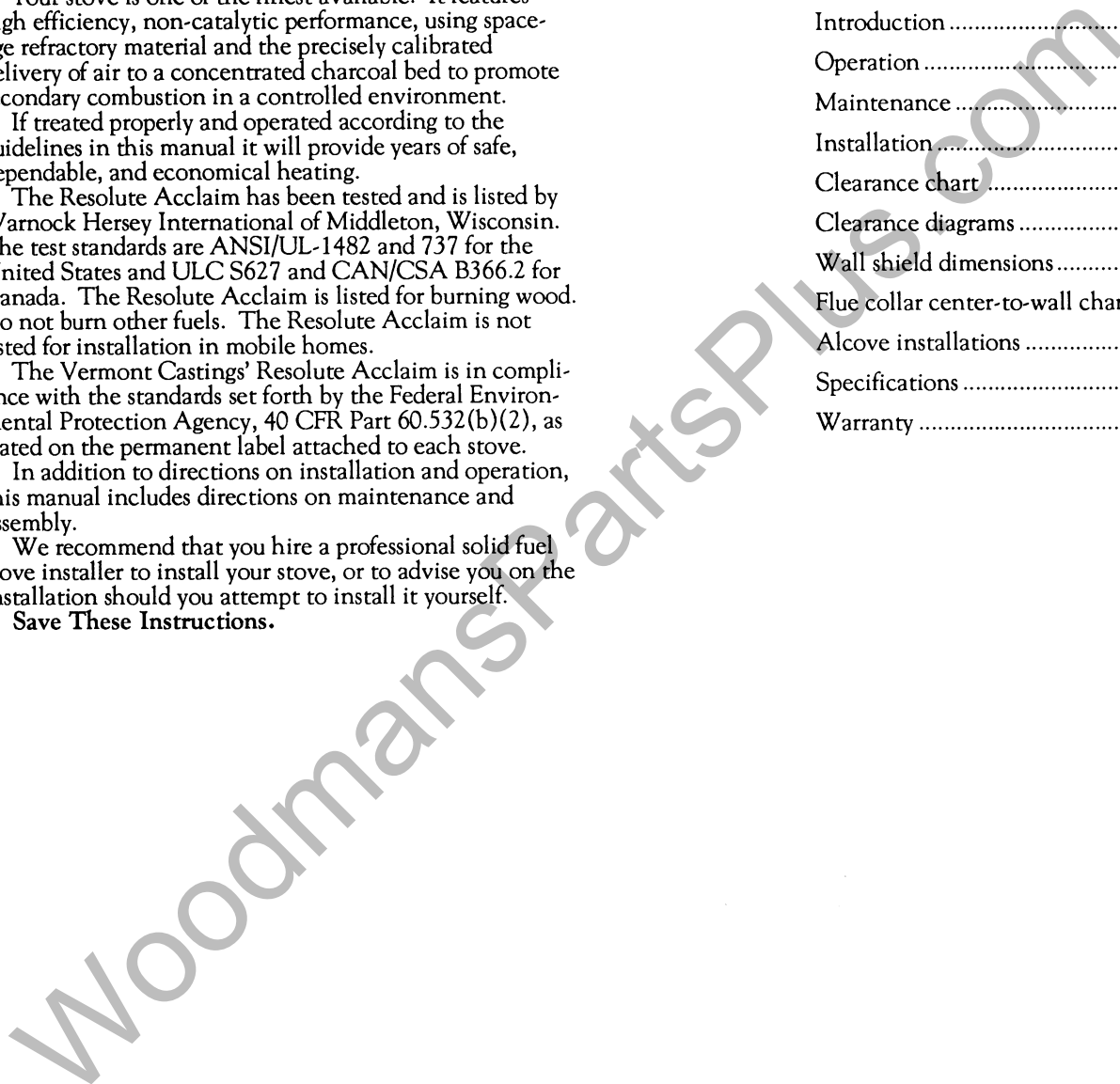
In addition to directions on installation and operation, this manual includes directions on maintenance and assembly.

We recommend that you hire a professional solid fuel stove installer to install your stove, or to advise you on the installation should you attempt to install it yourself.

Save These Instructions.

Table of Contents

Introduction	2
Operation	3
Maintenance	8
Installation	13
Clearance chart	20
Clearance diagrams	21
Wall shield dimensions	22
Flue collar center-to-wall chart	23
Alcove installations	24
Specifications	25
Warranty	26



Operation

Your Stove's Controls and What They Do

Two Controls To Operate The Stove

The **primary air control lever**, located beneath the ashlip, regulates how much heat the stove produces by controlling the amount of air received by the fire. The more air supplied, the hotter the fire.

With a travel range of about 6", the air control is closed when the lever is fully left. Maximum heat is produced when the lever is fully right. It may also be set anywhere between the high and low extremes to achieve a desired heat output. A directional arrow cast into the Acclaim's ash lip serves as a reminder of the correct "open" and "closed" positions.

The **damper handle** is located on the right side of the stove and controls air flow within the stove. The damper is open when the handle is toward the rear of the stove, and the combustion gases exit directly out the flue collar. When the handle is pulled forward and locked, the damper is closed, secondary combustion occurs, and the stove operates most efficiently.

The damper must be fully open or fully closed; there are no intermediate positions for the damper handle.

Two Ways To Add Logs, And A Choice Of Fire Views

Convenient top-loading of wood through the Acclaim's stovetop griddle supplements traditional fireplace-style loading through the front door.

The griddle simply lifts to open, while the front door employs a rotating cam and a door latch tab to secure it. The handle points down when the door is closed.

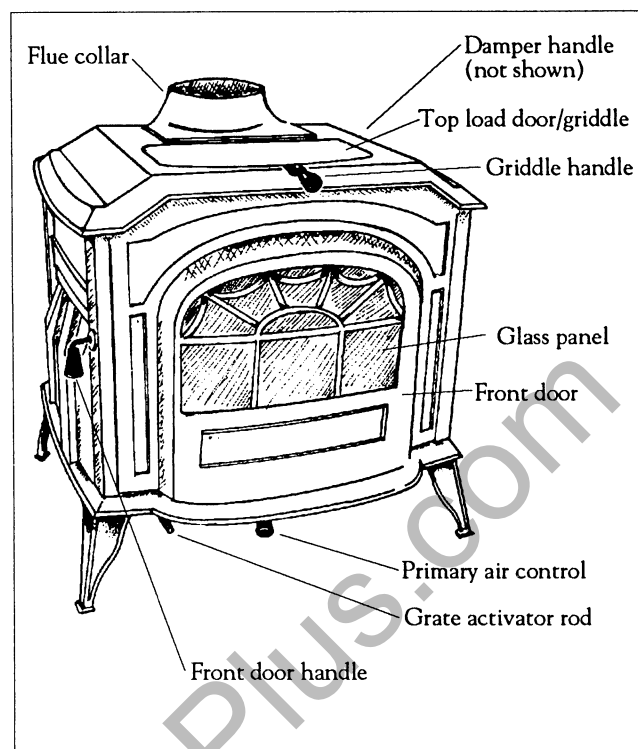
To open the front door, push on the handle to release the cam. To close it, push the door until the latch engages. Double-check the latch by pulling lightly on the handle. When the latch is properly secured, the door will remain closed.

For clear fire viewing, the front door features a large, self-cleaning glass panel. The front door may be opened (or even removed) and the optional spark screen clipped in place for open-fire viewing as well.

A Sliding Grate Shapes The Charcoal Bed

An **activator rod** controls a two-piece sliding grate that helps concentrate the charcoal bed at the entrance to the secondary combustion chamber. Combustion gases are forced through the thickest part of the bed to ensure temperatures high enough for secondary combustion.

When pushed all the way in, the activator rod allows ash to drop into the ash pan. The rod is left fully out during operation.

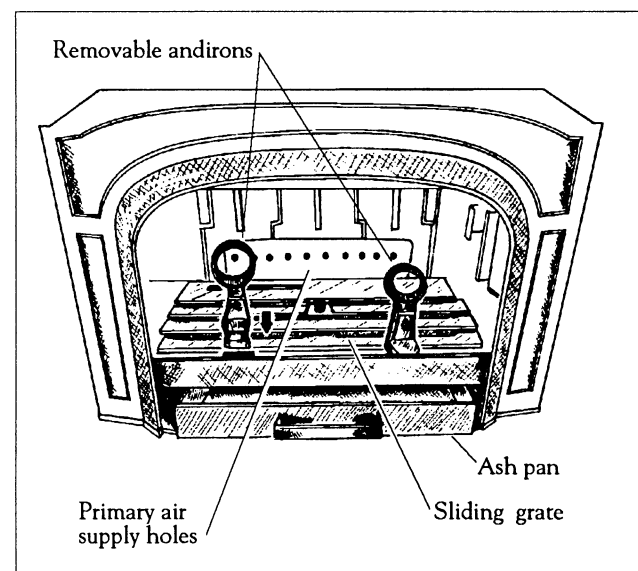


The Resolute Acclaim controls are conveniently located and easy to use.

Removable Andirons For Greater Front-Loading Convenience

The **andirons** slip into pockets cast into the front of the bottom grate and can be removed when loading through the front door. (Most Acclaim owners, however, prefer the convenience of "smokeless" top loading.)

IMPORTANT: the andirons must be in place during operation. They not only help keep the glass door panel clear for fireviewing, but they assure proper placement of the fuel load for efficient clean-burning operation.



A look inside the firebox of the Resolute Acclaim.

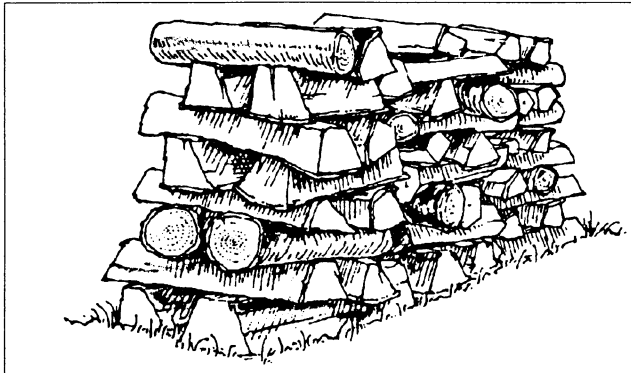
Two Rules For Success

Burning wood is said to be more of an art than a science. You'll easily master the art if you start by using good, dry fuel, and understand how the stove's air supply system operates.

Burn Only High-Quality Fuel

This heater is designed to burn natural wood only; do not burn fuels other than those for which this heater was designed.

Higher efficiencies and lower emissions generally result when burning air-dried, seasoned woods as compared to softwoods or freshly cut hardwoods. Avoid burning "green" wood that has not been properly seasoned.



For best results burn dry, high quality wood.

The best hardwood fuels include oak, maple, beech, ash, and hickory that has been split, stacked, and air-dried outside under cover for at least one year.

For areas that do not have a supply of hardwood, some of the better softwoods that are commonly burned include tamarack, yellow pine, white pine, Eastern red cedar, fir, and redwood. They too should be properly dried. The length of the wood should be 16" (400mm).

Wood should be stored under cover to maintain dryness. Even for short-term storage, keep wood a safe distance from the heater and keep it out of the areas around the heater used for refueling and ash removal.

Use The Air Control Settings That Work Best For You

No single control setting will fit every situation. Each installation will differ depending on the quality of the fuel, the amount of heat desired, and how long you wish the fire to burn.

Control settings also depend on your particular installation's "draft," or the force that moves air from the stove up through the chimney. Draft is affected by such things as the length, type, and location of the chimney, local geography, nearby obstructions, and other factors.

Too much draft may cause excessive temperatures in the stove. On the other hand, too little draft can cause backpuffing into the room and/or insufficient heat.

How do you know if your draft is excessively high or low? Symptoms of too much draft include an uncontrollable burn or a glowing-red part of the stove or chimney connector. A sign of inadequate draft is smoke leaking

into the room through the stove or chimney connector joints.

In some newer homes that are well-insulated and weather-tight, poor draft may result from insufficient air in the house. In such instances, an open window near the stove on the windward side of the house will provide the fresh air needed.

Another option for getting more combustion air to the stove is to duct air directly from the outside. In fact, in some areas outside combustion air is required for stove installations in all new construction.

Your Resolute Acclaim is designed to easily incorporate outside combustion air with a Vermont Castings' Outside Air Duct Adaptor (part # 3255) available from your local dealer.

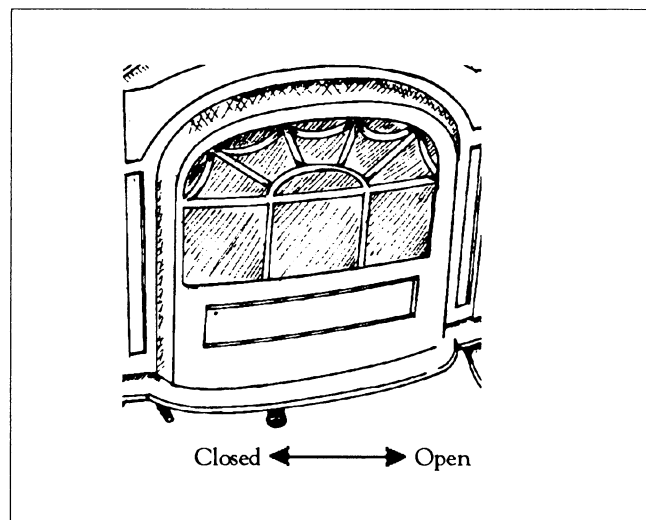
When first using the stove, keep track of the settings of the air control. You will quickly find that a specific setting will give you a fixed amount of heat. It may take a week or two to determine the amount of heat and the length of burn you should expect from various settings.

Most installations do not require a large amount of combustion air, especially if adequate draft is available. Do not for any reason attempt to increase the firing of your heater by altering the air control adjustment range outlined in these directions.

Use the following air control settings as a starting point to help determine the best settings for your installation:

Resolute Acclaim Primary Air Settings

<u>Air Setting</u>	<u>Air Control Position</u>
Closed	Fully left
Low	Approximately 1" (25 mm) to the right of "closed."
Medium	Approximately half way between the "low" and "high" settings
High	Fully right



Variable settings for the primary air control between the open and closed positions provide a range of heat output.

The stove's paint and cement will emit a slight odor during the first few fires. We suggest that you provide extra ventilation near the stove by partially opening a door or window when the odor is present.

How To Build A Wood Fire And Keep It Going

You can load wood into your Resolute Acclaim through either the top or front loading door. Front-loading is useful for kindling a new fire, but we recommend top loading as the most convenient way of regularly adding several logs at a time.

When burning wood, your Resolute Acclaim may be operated with the front door open, for fireplace-style viewing, as well as closed. Always be certain that the stove damper is open when the door is open, and always use the optional firescreen for fire viewing.

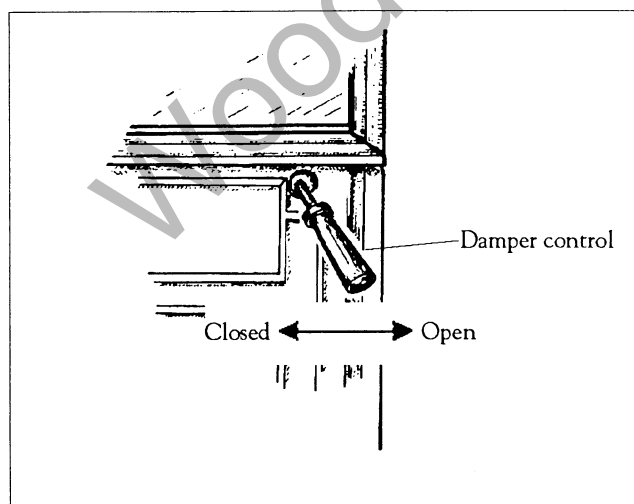
Starting And Maintaining A Wood Fire

A new stove needs to be "broken in." Since cast iron plates expand and contract in response to temperature change, let them adjust gradually to heating and cooling. To properly break in your Resolute Acclaim, follow Steps 1-3 below only for your first three or four fires. After that, you may go on to Step 4 and normal operation of the stove.

WARNING: OPERATED ONLY WITH DOORS FULLY OPEN OR DOORS FULLY CLOSED. IF DOORS ARE LEFT PARTLY OPEN, GAS AND FLAME MAY BE DRAWN OUT OF THE FIREPLACE STOVE OPENING, CREATING RISKS OF BOTH FIRE AND SMOKE.

STEP 1. Open the stove damper, and open the primary air control fully.

IMPORTANT: MAKE SURE THE GRATE ACTIVATOR ROD IS IN THE FULL OUT POSITION WHEN THE RESOLUTE ACCLAIM IS IN OPERATION.



With the damper closed, secondary combustion takes place and the Acclaim operates most efficiently.

STEP 2. Lay some crumpled newspapers in the stove. Place six or eight pieces of dry kindling split to a finger-width size on the paper, and on the kindling lay two or three larger sticks of split dry wood approximately 1-2" (25-50 mm).

DO NOT USE CHEMICALS OR FLUIDS TO START THE FIRE. DO NOT BURN GARBAGE OR FLAMMABLE FLUIDS SUCH AS GASOLINE, NAPHTHA, OR ENGINE OIL. Also, never use gasoline-type lantern fuel, kerosene, charcoal lighter fluid, or similar liquids to start or "freshen up" a fire in this heater. Keep all such liquids well away from the heater while it is in use.

STEP 3. Light the newspaper and close the door. The fire soon will be well-established and you may gradually build it up by adding a few sticks at a time of a progressively larger size.

For your initial three or four break-in fires, let the fire burn brightly for a short time, then let it die out.

NOTE: Some chimneys need to be "primed," or warmed up, before they will draw sufficiently to start a fire. To correct this situation, roll up a couple pieces of newspaper, place them on top of the kindling and toward the back of the stove, light them, and close the doors. This should heat the chimney enough to initiate a draft.

Once the draft is established, open the front door and light the rest of the fuel from the bottom. Do not light the main bed of fuel until the chimney begins drawing, and repeat the procedure as often as necessary if the initial attempt is unsuccessful.

STEP 4. Once the fire is burning steadily, continue adding fuel until a thick ember bed has been established on the grate. The bed must be about 4" (100 mm) deep at the back of the grate and about 1" (25 mm) deep at the front, and should cover the throat opening into the secondary combustion chamber that is located in the center of the lower fireback.

If your wood is well-seasoned, the damper may be closed when the griddle temperature reaches 400° F. (204 C.). Depending on the type of wood being burned and its moisture content, it may take several hours to establish and then maintain the ember base that is required for high-efficiency operation.

STEP 5. Once the ember bed is formed, prepare the stove for high-efficiency operation. Load it with fuel, first with smaller splits of wood and then larger ones.

Close the damper and set the primary air control lever all the way to the right. Operate the stove for 15 - 20 minutes at this maximum air setting to guarantee that the new load of fuel has ignited. Once the fuel is burning steadily, you may adjust the primary air supply to provide the desired heat output.

You'll soon find out that this stove is HOT WHILE IN OPERATION! KEEP CHILDREN, CLOTHING, AND FURNITURE AWAY. CONTACT MAY CAUSE SKIN BURNS.

DO NOT OVERFIRE THIS HEATER. Overfiring may cause a house fire, or can result in permanent damage to the stove and to the catalytic combustor. If an exterior part of the stove or the chimney connector glows, you are overfiring.

Reloading and Reviving a Wood Fire

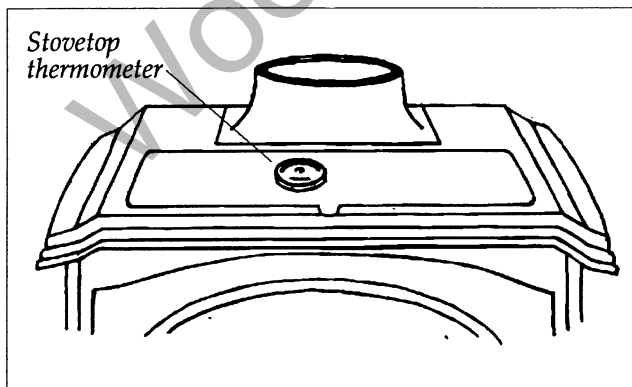
Reload your stove while it is still hot and there are plenty of embers to re-kindle the fire quickly. Include some smaller pieces of wood in the new load of fuel to help the stove regain high temperatures quickly.

Follow this procedure when you reload your stove:

- Open the damper and move the primary air lever all the way to the right.
- Open the front door and check the ash level in the ash pan. Empty the pan if necessary.
- Replace the ash pan and close the front door.
- Alternately push and pull the activator rod to clear the charcoal bed of accumulated ash. Be sure to leave the rod in the fully-out position.
- Level the ember bed.
- Load wood, smaller pieces first, and close the loading door.
- Allow the stove to regain its "thermal momentum" before closing the damper. This may take 15 - 20 minutes, and will be confirmed by a temperature on the griddle of at least 400°F. (204 C.).
- Close the damper, and set the primary air lever for the desired heat output.
- NOTE: If the remaining charcoal bed is relatively thick and if your fuel is well seasoned, it is possible to add fresh fuel (smaller pieces first), close the door and damper, and reset the primary air within 5 minutes.

A Surface Thermometer Is A Guide To Performance

Until you are familiar with how your stove works, monitor the griddle surface temperature frequently. Use these temperatures ranges as general indicators of heat output:



A thermometer gives temperature readings that help you to operate your stove safely and effectively, just as a speedometer is a guide to driving your car.

Low to medium	350-500°F. (177-260 C.)
Medium	500-600°F. (260-318 C.)
High	600-750°F. (318-399 C.)

Continuous operation at griddle temperatures higher than 750°F. (399 C.) may damage the cast iron parts or the porcelain enamel finish of your Resolute Acclaim.

A surface thermometer can also tell you when to adjust the controls and when to refuel the stove.

During start-up and after re-loading, for example, a thermometer reading of at least 400°F. (204 C.) signals that the stove is hot enough to close the damper and shift into the high-efficiency mode.

Readings lower than 350°F. (177 C.) announce that the stove needs loading or that it is time to increase the air supply for a higher burn rate.

At the other extreme, a temperature over 750°F. (399 C.) is a warning to slow the burn rate.

Rules for Open Fire Viewing

WARNING: FOR SAFETY AND GREATEST EFFICIENCY, OPERATE YOUR STOVE ONLY WITH ALL DOORS/GRIDDLES FULLY CLOSED. THE TEST STANDARD FOR YOUR STOVE WHEN IT IS OPERATED IN THIS MODE IS UL 1482.

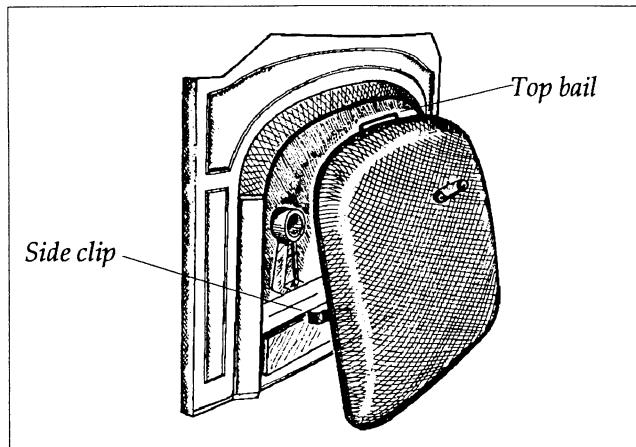
YOUR STOVE MAY BE USED AS A FIREPLACE WITH THE FRONT DOOR OPEN OR REMOVED ONLY WHEN THE SPARK SCREEN IS PLACED CORRECTLY IN THE OPENING TO PROTECT AGAINST THE POSSIBILITY OF SPARKS AND EMBERS LEAVING YOUR STOVE. THE TEST STANDARD FOR YOUR STOVE WHEN IT IS OPERATED IN THIS MODE IS UL 737.

USE ONLY THE RESOLUTE ACCLAIM SPARK SCREEN, PART #0133, WITH YOUR ACCLAIM .

RESOLUTE ACCLAIM SPARK SCREENS ARE AVAILABLE FROM YOUR VERMONT CASTINGS' AUTHORIZED DEALER.

The damper must be open as well whenever you operate the Resolute Acclaim in the open-fire mode. This will prevent smoke and combustion gases from entering the room.

The spark screen fits inside the arch of the inner stove front and is held in place by a top bail and two side clips. To insert the screen, place the top bail between the inner front and the air manifold. Push with an even pressure on the sides until the clips snap into place.



Angle the screen to seat the top first, then push the bottom straight in until the clips snap into place.

The front door may be left on or taken off. To remove it, open it and retract the spring-loaded upper hinge pin. Tilt the door slightly and lift it off the lower hinge pin.

Clear the Ash Frequently

The grates must be kept free of heavy ash accumulation. While much of the ash will fall through the open slots in the rear area of the grate during the course of a burn cycle, the remaining ash must be cleaned manually every six to eight hours of operation, or before you reload.

To clear the ash, push in the activator rod to open the grates. Then, "hoe" the ash forward with a stove shovel or similar fireplace tool so that they drop through the grate.

IMPORTANT: Always make sure the grate activator rod is in the fully-out position when the Resolute Acclaim is in operation. Dirty glass panels are often a sign that the grate activator rod has been left in the wrong position.

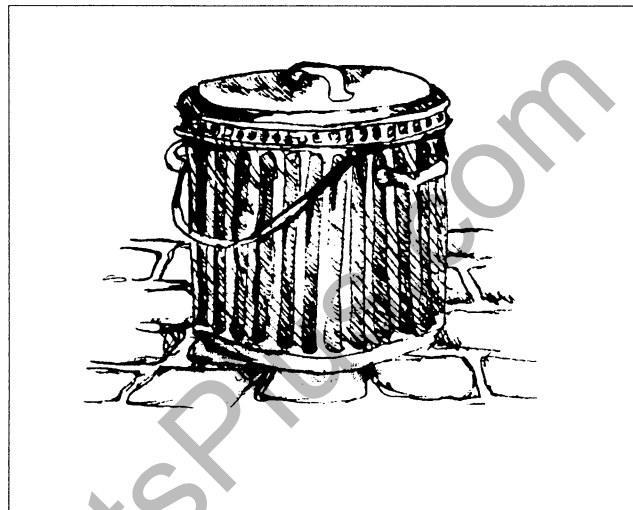
Remove And Store Ash Safely

Check the ash pan before reloading the stove. If the ash is close to the top, empty the pan. Before replacing the ash pan, clear away any ash that has spilled over the sides and back of the pan.

When burning wood, empty the ash drawer regularly, typically every one to three days. The frequency will vary depending on how hot you run your stove: the hotter the fire, the more wood you burn, and the faster ash will accumulate.

The ash pan is located in the ash drop chamber with a handle attached to the front and one to the rear. Use the grate activating tool to pull the ash pan forward by the handle. Keep it level, and carry it outside for disposal. (Use two hands if necessary.) Empty the ash into your ash disposal container. When you are finished, slide the pan back into the stove.

Ash may contain hot coals and must be treated with extreme care. It should be removed frequently and placed outdoors in a metal container with a tight-fitting lid. The closed container of ash should be placed on a noncombustible floor or on the ground, well away from all combustible materials, pending final disposal. If the ash is disposed of by burial in soil or otherwise locally dispersed, it should be retained in the closed container until all cinders have thoroughly cooled. Wood ash may be used as a garden fertilizer.



CAUTION: NEVER USE A VACUUM CLEANER TO REMOVE ASH FROM THE STOVE; ALWAYS REMOVE AND DISPOSE OF THE ASHES PROPERLY.

Maintenance

Keep Your Stove Looking New And Working Its Best

Care of The Cast Iron Surface

An occasional dusting with a dry rag will keep the painted cast iron of your Resolute Acclaim looking new. A damp cloth may be used as well, but only when the stove is cool. Make sure no water remains on the stove surface.

If the paint needs retouching, allow the stove to cool completely. Wire-brush areas needing to be painted. Remove non-painted components such as air controls or cover them with masking tape. Touch up the stove with high temperature stove paint available from your local dealer. Apply the paint sparingly. Two light coats are better than one heavy one.

Care of The Porcelain Enamel Surface

Use a dry rag or a soft brush. Do not use water or other liquids. Fingerprints usually can be buffed off with a dry, soft rag. If marks remain, allow the stove to cool completely, then buff with a damp, soft rag. Dry completely before starting a fire so that water drops or wet streaks will not leave marks. Never use abrasives or harsh chemical cleaners on the porcelain enamel finish.

To remove stains or spills from porcelain enamel, first make sure that the stove is completely cool. Use only a kitchen appliance cleaner or polish recommended for enamel surfaces. Apply sparingly with a soft rag and buff away all traces of the cleaner.

Cleaning The Glass

Most of the carbon deposits on the glass will burn off regularly during hot fires. If you wish to clean the glass more thoroughly, follow this procedure:

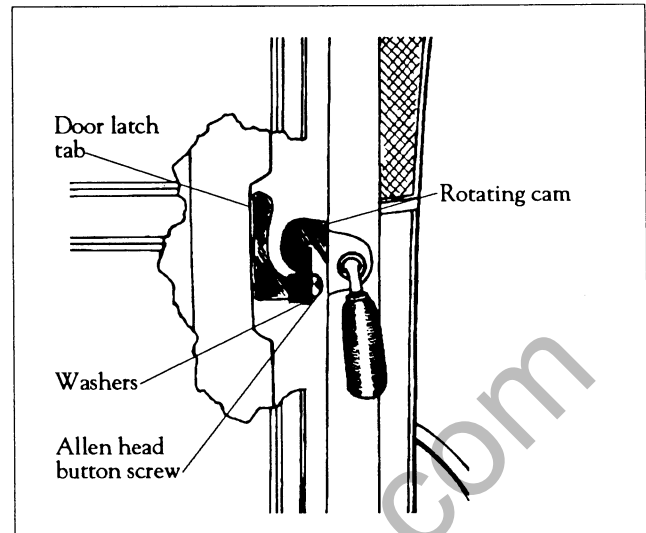
- Let the stove and glass cool completely.
- Wash the glass with warm water, and a soft paper towel or rag.
- Rinse and dry thoroughly.
- Never use abrasives, ashes, or harsh chemicals to clean your Resolute Acclaim glass.

For stubborn deposits, use a ceramic glass cleaner available from your Vermont Castings' Authorized Dealer. Do not allow the cleaner to touch brass ornaments or porcelain finish.

Repair Air Leaks to Prevent Overheating and Excessive Fuel Consumption

Adjust the Door Latch

The door gasket will compress after use. To restore a tight seal, adjust the tension on the latch:



The front door tension can be adjusted simply by adding or removing washers.

- Remove the Allen head button screw that attaches the door latch tab to the stove front.
- Remove one of the washers that separates the tab from the front (save it for future use.)
- Replace the remaining washers and the door latch tab.
- Remove another washer if necessary.
- Test the seal by closing the door on a slip of paper and attempting to pull the paper free. If the paper is freed without tearing, the gasket isn't snug enough at that spot.

If the paper indicates a low spot in a specific area, try "adjusting" the gasket in that area. Pack more cement or a smaller diameter gasket into the channel beneath the gasket so that the main gasket is raised and makes contact with the door frame. This procedure should solve the problem. If it doesn't, replace the gasket following these steps:

- Wearing safety goggles and a dust mask, remove the original gasket by grasping an end and pulling firmly.
- Use a wire brush or the tip of a screwdriver to clean the channel of any remaining cement or bits of gasket.
- Apply a thin bead of stove cement in the newly-cleaned groove.
- Pack the gasket into the groove. Wait until you are a couple inches from the end before you cut it.

Test the gasket by closing the door on a slip of paper such as described above. Adjust the gasket in any areas where an inadequate seal is evident.

Adjust the Door

Although it is unlikely that adjusting it will be necessary, the height of the Resolute Acclaim's front load door is adjustable. The lower door hinge pin has a shoulder that lifts or lowers the door as you screw the pin up or down.

Clean the Exhaust Channels

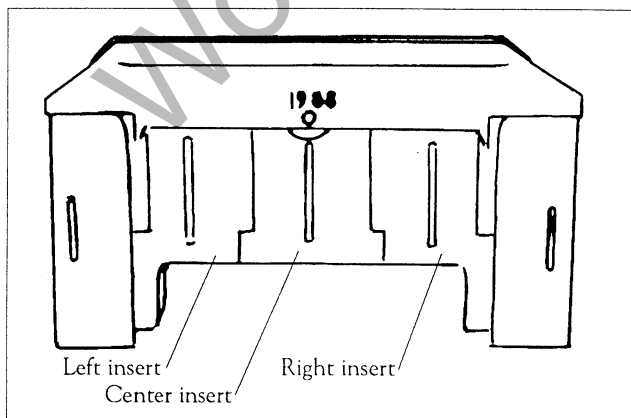
The lower fireback should be removed and the exhaust

area on either side of the secondary combustion package should be vacuumed carefully at least once a year, or after every 60 days of sustained burning. Follow these steps:

- Remove the ashpan, the top grate section, the griddle, and the andirons.
- With a soft-faced hammer, tap the wedges that secure the lower fireback upward and remove them.
- The lower fireback assembly will fall forward into the stove. (You may have to pry it loose where it joins with the damper frame.)
- Grasp the lower fireback assembly and shift it sideways; pull it up through the griddle opening. Be sure not to bump it into the exposed refractory package, which is very fragile.
- Vacuum the debris from both sides of the exposed refractory package, being careful not to bump the refractory material.
- Check the gasket against which the lower fireback assembly seals. Replace it if necessary following the directions for gasket replacement on that follow.
- Clean the joint areas of the lower fireback assembly with a wire brush, and examine the assembly for signs of wear. (Refer to the next section if parts need to be replaced.)
- Replace the fireback assembly by starting it down through the griddle opening; position it carefully, making sure that the fireback is centered properly.
- Replace the wedges.
- Replace the upper grate and agitate the grate. (If the front grate slots do not close completely when the grate activator rod is fully pulled out, the fireback assembly is not properly installed.)
- Replace the griddle, andirons, and ashpan.

How to Replace the Fireback Arch Inserts

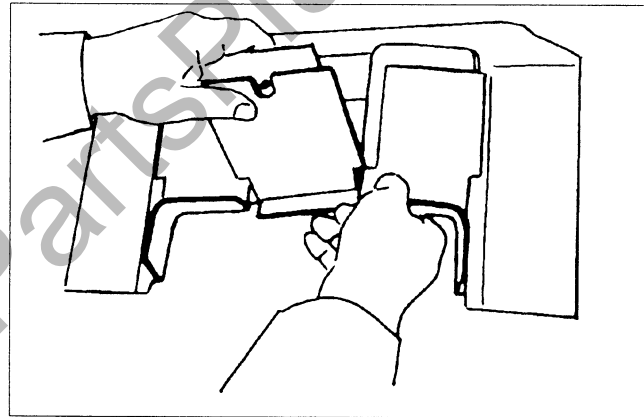
The Resolute Acclaim fireback is designed with easily-replaced arch inserts that protect the refractory chamber. These arch inserts must be replaced when they have warped to the extent that they no longer stay in place. For a stove used as a primary heat source, they may need replacing each season; for a stove used only occasionally for pleasure viewing, they may last indefinitely.



The location of the three arch inserts can be seen in this front view of the Acclaim firebox.

Examine the fireback arch inserts each time you remove the lower fireback to vacuum the refractory chamber exhaust channels. At the same time, clean the lower fireback assembly components. Follow this procedure:

- Lay the lower fireback assembly face down on a flat surface; note how it goes back together.
- Loosen the hex head cap screw visible in the center of the assembly. Clean the left, right and center arch inserts, and the fireback with your wire brush. Pay particular attention to the joint areas. Inspect the parts for cracks, warpage, and general deterioration. Obtain replacement parts from your Vermont Castings' Authorized Dealer for any that appear damaged or worn.
- Referring to the accompanying illustration, place the cleaned right and left arch inserts into position, with the vertical ribs facing down and the inserts properly mated to the fireback grooves.
- Start the center arch piece into the interlocking surfaces of the right and left arch inserts at a 45° angle. Align the three arch inserts. Secure the center insert to the fireback with the hex head cap screw inserted from the front (ribbed) side, and a square nut on the back (smooth) side.



Start the reinstallation of the center arch insert by placing it at a 45 degree angle into the interlocking joints of the right and left arch inserts as shown in this rear view.

- Reinstall the assembly as directed in the preceding section on exhaust channel maintenance.

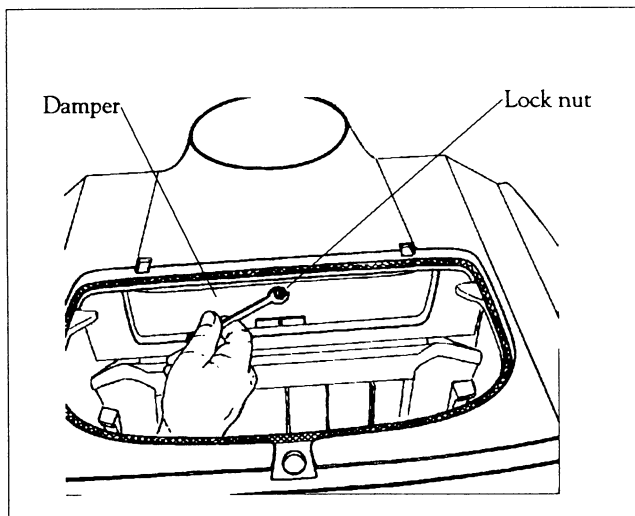
Repair Missing Cement In Seams

The cement in the stove seams may deteriorate over time and fall out in places. Just as with the stove doors, it is necessary to keep the seam seals in good condition. Spot-fix with furnace cement (available from your local dealer) any areas where the cement seal is visibly deteriorated. Allow 24 hours for the new cement to dry.

Adjust the Damper As Needed

The tension of the Resolute Acclaim's torsion bar is adjustable to compensate for compression of the gasket that seals the damper to the damper frame. To adjust the damper:

- Loosen the lock nut visible in the center of the damper.
- Turn the pressure screw approximately a half-turn clockwise.
- Re-tighten the lock nut and test the damper mechanism.



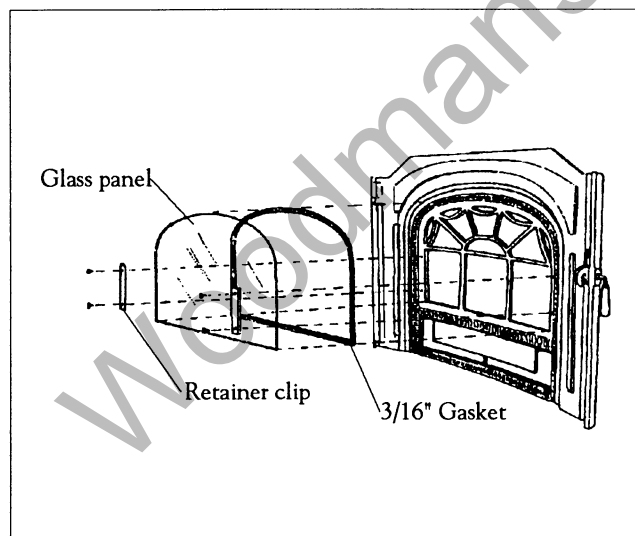
When the damper's gasket becomes compressed after prolonged use, the damper should be adjusted to regain a tight seal.

Avoid Damaging The Glass

Do not abuse the glass in the front door by slamming the door shut or by striking the glass with a piece of wood, and never operate your stove if it has damaged or broken glass. If you need to replace the glass, use only glass provided by Vermont Castings.

Replace Broken Glass Immediately

Do not operate the Resolute Acclaim if the glass is damaged. Use the following procedure for glass replacement. NOTE: replace glass with Vermont Castings' replacement glass only, available from your local dealer.



- Open the door and carefully remove the glass by removing the two clips (one per side) that hold the glass panel against the gasket in the arched door opening. Each clip is held in place with two Phillips truss-head machine screws.

- Examine the gasket that seals the glass to the door frame. Replace if necessary with gasket obtained from

your local Vermont Castings' Authorized Dealer.

- The glass used in your Resolute Acclaim is specially coated on one side with a heat reflecting material. Examine the replacement glass panel, and notice the markings along the edge.

- Center the replacement glass panel in the arched door opening, with the marked side of the glass panel facing the gasket. There should be a gap to allow for expansion and contraction between the edge of the glass panel and the cast iron.

- Replace the two retainer clips and fasten with the previously removed screws. Tighten the screws slowly and evenly; do not overtighten.

How To Replace Gaskets

The Resolute Acclaim uses rope-type fiberglass gaskets to make a tight seal between some parts. With use, particularly on those parts that move, gaskets can become brittle and compressed and can begin to lose their effectiveness. These will need periodic replacement.

All of the gaskets used are made of fiberglass. The three sizes of replaceable gasket are listed below, along with their application.

Replaceable Resolute Acclaim Gaskets

Gasket Size...	...And The Parts It Seals
3/16"	The glass to the load door frame
1/4" wire mesh	The griddle to the stove top
1/2"	The arch and bottom edge of the inner front stove panel to the front load door
1/2"	The front of the grate to the front load door

Should you need to change a replaceable gasket, wait until the fire is out and the stove has cooled. Be sure to follow the standard safety procedure for working with dusty materials: wear safety goggles and a dust mask. The procedure for replacing gaskets is the same, regardless of the gasket location. Four easily-accomplished steps are involved:

Step 1. Remove the existing gasket by grasping an end and pulling firmly.

Step 2. Use a wire brush or the tip of a screwdriver to clean the channel of any remaining cement or bits of gasket. Use a cold chisel for stubborn deposits.

Step 3. Apply a thin (1/8") unbroken bead of stove cement to the newly-cleaned groove.

Step 4. Starting at one end, pack a new gasket into the groove. Where the two ends of the gasket meet, ensure a good joint before trimming any excess. Do not overlap or leave ragged edges.

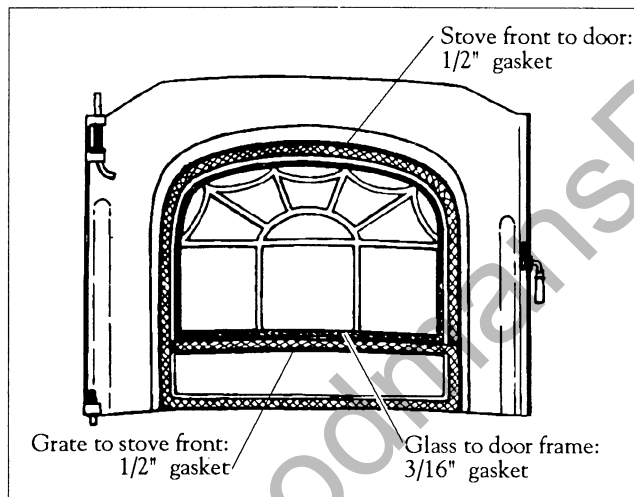
Other gaskets form seals between non-moving parts, but these are not subject to the same wear and deterioration as gaskets on moving parts. It is unlikely that you will ever need to replace these gaskets unless the involved parts are disassembled and then put back together. In any event, this is a job that should be done only by qualified service personnel.

1/4"	Between the flue collar and flue collar extension and the stove's top and back:
5/16"	The seal between the upper fireback corners and the lower fireback:
5/16"	The seal between the underside of the top plate and the upper edge of the upper fireback
5/16"	The damper plate to the reverse side of upper fireback
5/16"	The seal between the vertical edges of the upper and lower firebacks and the vertical ribs of the stove back

•NOTE: When replacing this last gasket after removing the upper fireback, place two cap screws into the upper fireback mounting holes before you cement the channels and replace the gasket. The new gasket will run inside the cap screws. Remove the screws after the gasket cement dries.

Replacing The Resolute Acclaim's Door Gaskets

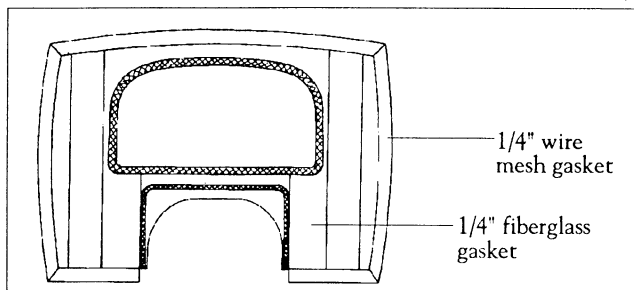
- Lift off the door as described previously. Lay it face down on a padded surface.
- Follow steps 1-4 on gasket replacement as described previously.



Two different gasket sizes are used to seal the front door.

Replacing The Resolute Acclaim's Griddle Gasket

- To replace either the damper or the griddle gasket, follow Steps 1-4 on replacing gaskets described previously.



A 1/4" wire mesh gasket seals the griddle to the stove top. The flue collar is sealed with a 1/4" fiberglass gasket.

A Clean Chimney System Is Safer And Works Better

Learn To Recognize Creosote And Soot

When you first begin using the stove, check daily for creosote — a substance that can look like either thick tar or black, crisp flakes. Experience will show how often you need to clean to be safe. The frequency may even vary during the year. In the colder months when the hottest fires producing the least creosote are burned, you may need to clean less frequently. During the warmer months when creosote is more likely to result from cooler-burning fires, more frequent cleaning may be necessary.

At the very least, inspect the chimney and chimney connector twice monthly. Clean if necessary. Let the stove cool to determine if a buildup of creosote or soot has occurred. If a significant layer of creosote has accumulated—1/8" (3 mm) or more—it should be removed to reduce the risk of a chimney fire. Failure to keep the chimney and connector system clean can result in a serious chimney fire.

The conditions for a chimney fire develop like this: When wood is burned slowly, it produces tar and other organic vapors, which combine with expelled moisture to form creosote. The creosote vapors condense in the relatively cool chimney flue of a slow-burning fire. As a result, creosote residue accumulates on the flue lining. When ignited, this creosote makes an extremely hot fire within the flue system which can damage the chimney and overheat adjacent combustible material.

To reduce the amount of creosote that may form, remember to provide adequate air for combustion and to strive for small, intense fires rather than large, smoldering ones.

You can never be too safe. Contact your local fire authority for information on what to do in the event of a chimney fire, and have a clearly understood plan on how to handle one.

Inspect the Chimney Connector And Chimney Twice Monthly And Clean As Required

Let the stove cool completely before you inspect the chimney. Then, using a strong light, sight up through the flue collar into the chimney flue. If it is not possible to inspect the flue system in this fashion, the stove must be disconnected to provide adequate viewing.

Clean the chimney using a specially designed chimney cleaning brush, the same size and shape as the flue liner, attached to flexible fiberglass rods designed for this purpose. Run the brush up and down the liner so that any deposits fall to the bottom of the chimney where they can be removed through the clean-out door. The chimney connector should be cleaned by disconnecting the sections, taking them outside, and removing any deposits with a stiff wire brush. Reinstall the connector sections after cleaning, being sure to secure the individual sections with three sheet metal screws per section.

If you are unable to inspect and/or clean the chimney system yourself, contact your local dealer or hire a qualified chimney sweep in your area to do the job.

Resolute Acclaim Maintenance Schedule

STOVE:

DAILY:

- Ashes should be removed before they reach the top of the ash pan. Check at least once a day.
- Keep the area around the stove clear of any combustible material.

TWO MONTHS:

- Check door handle to be sure it is working properly. Gasketing becomes compressed after a period of time.
- Check leg bolts and heat shield screws; tighten if necessary.
- Vacuum exhaust area on either side of secondary combustion package.

YEARLY SPRING CLEANING:

- Check gasketing for wear, and replace if necessary.
- Vacuum exhaust area on either side of secondary combustion package.
- Remove ashes from the ash pan and replace with a moisture absorbing material (such as kitty litter) to keep the interior of the stove dry.
- Clean the dust from the inner sides of bottom, rear or pipe heat shields if your stove is equipped with them. Clean surfaces are better heat reflectors than dirty surfaces.
- Touch up the black paint.

CHIMNEY CONNECTOR:

TWO WEEKS:

- Inspect the chimney connector and chimney. Clean if necessary.

TWO MONTHS:

- Inspect the chimney and chimney connector. Pay particular attention to the horizontal runs of chimney connector, and the elbows. Clean the system if necessary.

YEARLY SPRING CLEANING:

- Disassemble the chimney connector and take it outdoors for inspection and cleaning. Replace weak sections of connector.
- Inspect the chimney for signs of deterioration. Repairs to a masonry chimney should be made by a professional mason. Replace damaged sections of prefabricated chimney. Your local dealer or a chimney sweep can help determine when replacement is necessary.
- Thoroughly clean the chimney.



Installation

Stove Installations Must Be Safe And Legal

SAFETY NOTICE: IF YOUR RESOLUTE ACCLAIM IS NOT PROPERLY INSTALLED, OPERATED AND MAINTAINED, A HOUSE FIRE MAY RESULT. FOR SAFETY, FOLLOW ALL INSTALLATION, OPERATION AND MAINTENANCE DIRECTIONS. CONTACT LOCAL BUILDING OFFICIALS ABOUT RESTRICTIONS AND INSTALLATION INSPECTION REQUIREMENTS IN YOUR AREA.

Before you begin an installation, review your plans to see that:

- Your stove and chimney connector will be far enough from combustible material to meet all clearance requirements.
 - The floor protector is large enough and is constructed properly to meet all requirements.
 - You have all necessary permits from local authorities.
- Your local building official is the final authority for approving your installation as safe and determining that it meets local and state codes.

The metal label permanently attached to the back of every Vermont Castings stove indicates that it has been tested to current UL and ULC standards, and gives the name of the testing laboratory. Clearance and installation information is also printed on the label. Local authorities generally will accept the label as evidence that, when the stove is installed according to the information on the label and in this manual, the installation meets codes and can be approved.

Codes vary in different areas, however. Before starting the installation, review your plans with the local building authority. Your local dealer can provide any additional information needed.

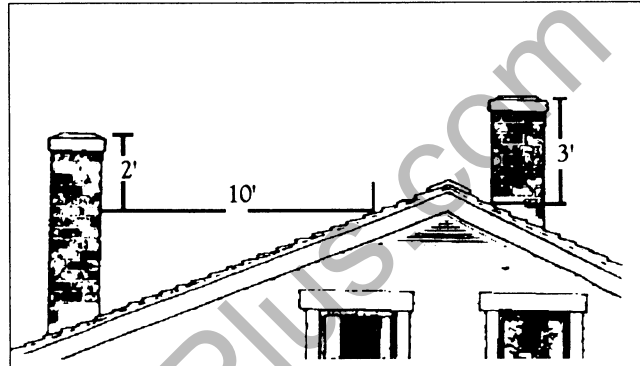
For any unresolved questions about installation, refer to the National Fire Protection Association's publication *ANSI/NFPA 211-1988 Standard for Chimneys, Fireplaces, Vents and Solid Fuel Burning Appliances*. In Canada, the equivalent publication is *CSA CAN-B365, Installation Code for Solid Fuel Burning Appliances and Equipment*. These standards are the bases for many national codes. They are nationally recognized and are accepted by most local authorities. Your local dealer or your local building official may have a copy of these regulations.

Important: Failure to follow these installation instructions may result in a dangerous situation, including a chimney or house fire. Follow all instructions exactly, and do not allow makeshift compromises to endanger property and personal safety.

What Kind Of Chimney To Use

Your Resolute Acclaim may be connected either to a sound masonry chimney that meets local codes, to a relined masonry chimney that meets local codes, or to an approved prefabricated metal chimney. Whatever kind you use, the chimney and chimney connector must be in good condition and kept clean.

If you use an existing masonry chimney, it must be



The 2-3-10 rule for chimneys.

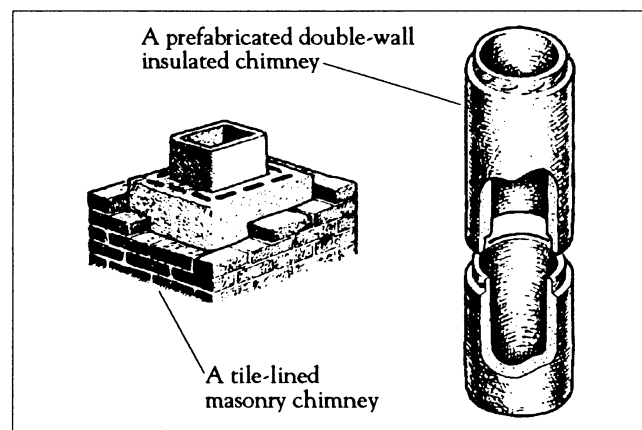
inspected to ensure safe condition before the stove is installed. Your local professional chimney sweep, building inspector, or fire department official will be able either to make the inspection or to direct you to someone who can.

The chimney should extend at least 3' (900 mm) above the highest point where it passes through a roof, and at least 2' (600 mm) higher than any portion of a building within 10' (3 m).

For proper draft and good performance, any chimney used with a Resolute Acclaim should extend at least 16' (5 m) above the flue collar of the stove.

Masonry Chimneys

An inspection of the chimney must confirm that it has a lining. Do not use an unlined chimney. The chimney



Whichever kind of chimney you use, it is essential that it meets local building codes.

also should be examined for cracks, loose mortar, other signs of deterioration, and blockage. Repair any defects

before the chimney is used with your stove.

Unused openings in an existing masonry chimney must be sealed with masonry to the thickness of the chimney wall, and the chimney liner should be repaired. Openings sealed with pie plates or wallpaper are a hazard and should be sealed with mortar or refractory cement. In the event of a chimney fire, flames and smoke may be forced out of these unused thimbles.

The chimney should be thoroughly cleaned before use.

A newly-built masonry chimney must conform to the standards of your local building code or, in the absence of a local code, to a recognized national code. Masonry chimneys must be lined, either with code-approved masonry or pre-cast refractory tiles, stainless steel pipe, or a code-approved, "poured-in-place" liner. The chimney's clean-out door must seal tightly.

Prefabricated Chimneys

A prefabricated metal chimney must be one tested and listed for use with solid-fuel burning appliances to the High-Temperature (H.T.) Chimney Standard UL-103-1985 (2100° F.) for the United States, and High Temperature (650 C) Standard ULC S-629 for Canada.

DO NOT CONNECT THIS UNIT TO A CHIMNEY FLUE SERVING ANOTHER APPLIANCE.

Chimney Size

A Resolute Acclaim is approved for venting into a masonry chimney with a nominal flue size of 8" x 8" (200 x 200 mm), and into a round flue size of 8" (200 mm) or 6" (150 mm).

It may be vented into larger chimneys as well. However, chimneys with liners larger than 8" x 12" (200 x 300 mm) may experience rapid cooling of smoke and reduction in draft, especially if they are located outside the home. These large chimneys may need to be insulated or to have their flues relined for proper stove performance.

Accessories to help make the connection between stainless steel chimney liners and your Resolute Acclaim are available through your local dealer.

WARNING: DO NOT USE DOUBLE-WALL CHIMNEY CONNECTORS WITH THE RESOLUTE ACCLAIM, UNLESS THEY HAVE BEEN SPECIFICALLY TESTED AND LISTED FOR USE WITH THIS APPLIANCE. USE OF DOUBLE-WALL CHIMNEY CONNECTORS WHICH HAVE NOT BEEN TESTED AND LISTED FOR USE WITH THE RESOLUTE ACCLAIM MAY RESULT IN TEMPERATURES EXCEEDING THE LIMITS ESTABLISHED BY THE TEST STANDARDS ANSI/UL-1482 OR ULC S627. A POTENTIAL HAZARD MAY RESULT, INCLUDING A HOUSE FIRE.

Guidelines For Installing The Chimney Connector

Chimney connector is the single-wall pipe that connects the stove to the chimney. The chimney itself is a masonry or prefabricated structure that encloses the flue. Chimney

connectors are used only to make the connection from the stove to the chimney.

Do not pass the chimney connector through a combustible wall or ceiling, or through an attic, a closet or any similar concealed space. If passage through a combustible wall is unavoidable, follow the recommendations in the section following on Wall Pass-Throughs.

The chimney connector should be made of 24 gauge or heavier steel, and should be 6" (150 mm) in diameter.

Install the chimney connector not less than 23" (580 mm) from the ceiling. Keep it as short and direct as possible, with no more than two 90 degree turns. Slope horizontal runs of connectors upward 1/4" per foot (20 mm per metre) going from the stove toward the chimney. The recommended maximum length of a horizontal run is 3 feet (1 metre), and the total length of chimney connector should be no longer than 8 feet (2.5 metres).

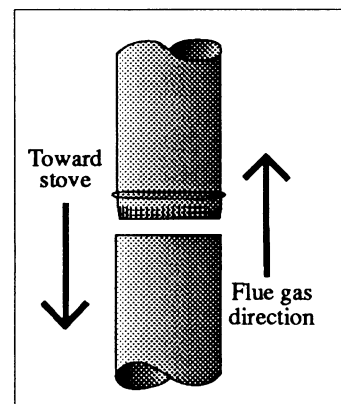
In cathedral ceiling installations, extend the prefabricated chimney downward to within 8 feet (2.5 metres) of the stove. The whole chimney connector should be exposed and accessible for inspection and cleaning.

Do not use galvanized chimney connector; it cannot withstand the high temperatures that can be reached by smoke and exhaust gases, and may release toxic fumes under high heat.

Assembling The Chimney Connector

SAFETY NOTE: ALWAYS WEAR GLOVES AND SAFETY GOGGLES WHEN DRILLING, CUTTING OR JOINING SECTIONS OF CHIMNEY CONNECTOR.

- Beginning at the flue collar of the stove, assemble the chimney connector. Insert the first crimped end into the stove's flue collar, and keep each crimped end pointing



The crimped end of the chimney connector should always point toward the stove.

toward the stove. Using the holes in the flue collar as guides, drill 1/8" (3 mm) holes in the bottom of the first section of chimney connector and secure it to the flue collar with three #10 x 1/2" sheet metal screws.

- Secure each joint between sections of chimney connector, including telescoping joints, with at least three sheet metal screws. The pre-drilled holes in the top of each section of chimney connector serve as guides when you drill 1/8" (3 mm) holes in the bottom of the next section.
- Secure the chimney connector to the chimney. Instructions for various installations follow.
- Be sure the installed stove and chimney connector are

correct distances from nearby combustible material.

Note: Special slip pipes and thimble sleeves that form telescoping joints between sections of chimney connector are available to simplify installations. They often eliminate the need to cut individual connector sections. Consult your local dealer about these special pieces.

Securing The Connector To A Prefabricated Chimney

Follow the installation instructions of the chimney manufacturer exactly as you install the chimney. The manufacturer of the chimney will supply the accessories to support the chimney, either from the roof of the house, at the ceiling of the room where the stove is installed, or from an exterior wall.

Special adaptors are available from your local dealer to make the connection between the prefabricated chimney and the chimney connector. The top of such adaptors attach directly to the chimney or to the chimney's ceiling support package, while the bottom of the adaptor is screwed to the chimney connector.

These adaptors are designed so the top end will fit outside the inner wall of the chimney, and the bottom end will fit inside the first section of chimney connector. When assembled in this way, any soot or creosote falling from the inner walls of the chimney will stay inside the chimney connector.

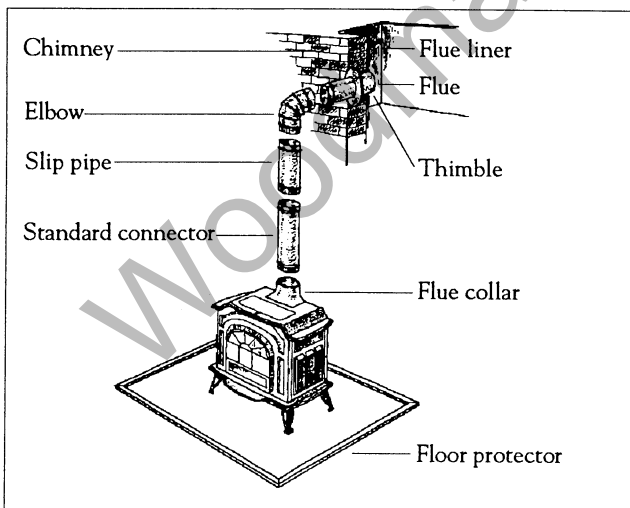
Securing The Connector To A Masonry Chimney

Both freestanding masonry chimneys and fireplace masonry chimneys may be used for installation of your Resolute Acclaim.

Freestanding Installations

If the chimney connector must pass through a combustible wall to reach the chimney, follow the recommendations in the Wall Pass-Through section that follows.

The opening through the chimney wall to the flue (the



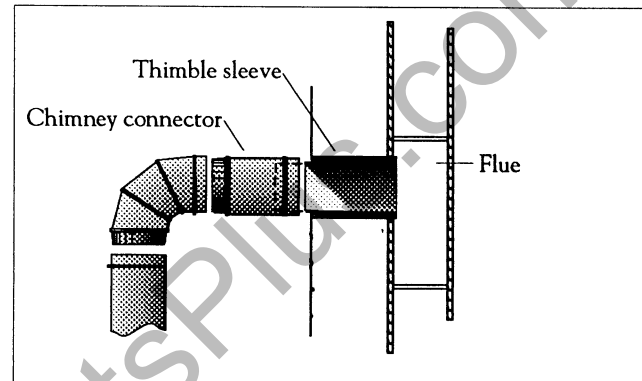
Installing the chimney connector to a lined masonry chimney.

“breach”) must be lined with either a ceramic or metal cylinder, called the “thimble”, which is securely cemented in place. Most chimney breeches incorporate thimbles, but the fit must be snug and the joint between the thimble and the chimney wall must be cemented firmly.

A special piece called the “thimble sleeve,” slightly smaller in diameter than standard connector and most thimbles, will facilitate the removal of the chimney connector system for inspection and cleaning. Thimble sleeves should be available from your local dealer.

To install a thimble sleeve, slide it into the breach until it is flush with the inner flue wall. Don't extend it into the actual flue passage, as this could interfere with the draft.

The thimble sleeve should protrude 1-2" (25-50 mm) into the room. Use furnace cement and thin gasketing to seal the sleeve in place in the thimble. Secure the chimney connector to the outer end of the sleeve with sheet metal screws.

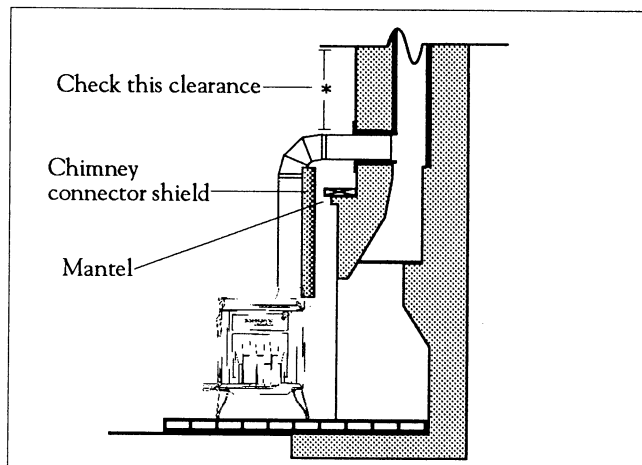


The thimble, made of either ceramic or metal, must be cemented securely in place.

Above A Fireplace

In this installation, the chimney connector rises from the stove, turns ninety degrees, and goes back into the fireplace chimney. The liner of the fireplace chimney should extend at least to the point at which the chimney connector enters the chimney. Follow all the guidelines for installing a chimney connector into a freestanding masonry chimney, and pay special attention to these additional points:

- If there is a combustible mantel or trim, check the stove and chimney connector clearances. Use the necessary combination of mantel, trim, and connector heat shields to provide the required clearances.
- Double-check connector clearance from the ceiling.



If the clearance between the chimney connector and either the ceiling or the mantel is inadequate, a special protective shield is required.

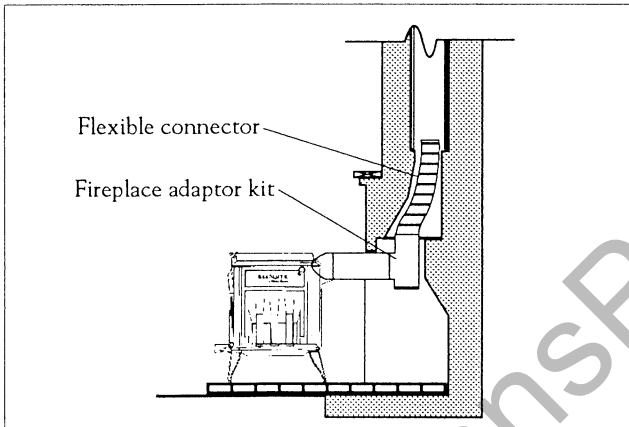
- The fireplace damper must be closed and sealed to prevent room air from being drawn up the flue, reducing the draft. However, it must be possible to re-open the damper to inspect or clean the chimney.

Through A Fireplace

If your fireplace opening height is at least 25" (640 mm), you may install a Resolute Acclaim with standard legs through the opening using a "positive connection" kit available from your local dealer. (With the optional 4" legs, the Resolute will fit in a fireplace that is only 23" (580 mm) high). These positive connection kits ensure a tight fit between the stove flue collar and the chimney flue.

Fireplace installations, whether connected to the flue above or through the fireplace opening, have special clearance requirements to adjacent trim and the mantel. You'll find the required safe clearances for Resolute Acclaim fireplace installations on page 19.

Floor protection requirements also apply to fireplace installations. Floor protection is discussed on page 17.



Special Adaptor Kits to simplify fireplace installations are available from your local dealer.

Wall Pass-Throughs

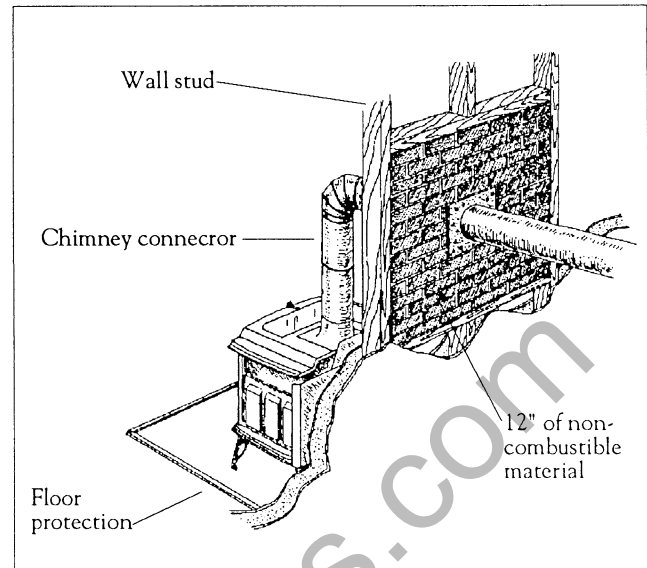
Whenever possible, design your installation so the connector does not pass through a combustible wall. If you are considering a wall pass-through in your installation, check with your building inspector before you begin. Also check with the chimney connector manufacturer for any specific requirements.

Accessories are available for use as wall pass-throughs. If using one of these, make sure it has been tested and listed for use as a wall pass-through.

In the United States, the National Fire Protection Association (NFPA) has established guidelines for passing chimney connectors through combustible walls. Many building code inspectors follow these guidelines when approving installations.

The following illustration shows one NFPA-recommended method. All combustible material in the wall is cut away a sufficient distance from the single-wall connector to provide the required 12" (300 mm) clearance for the connector. Any material used to close up the opening must be non-combustible.

Three other methods are also approved by the NFPA.

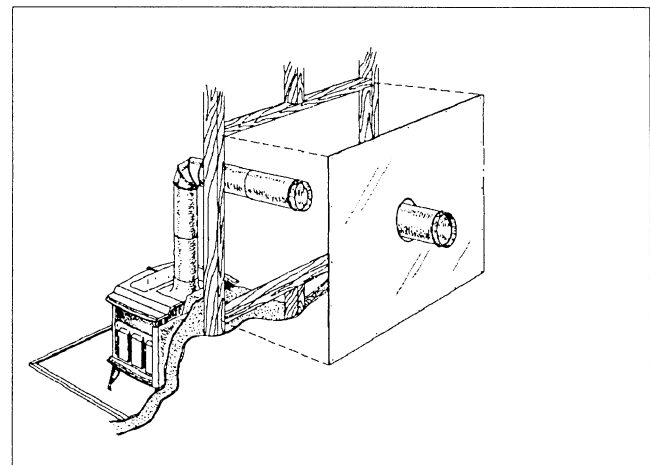


An approved wall pass-through for the United States.

These are:

- Using a section of double-wall chimney with a 9" (230 mm) clearance to combustibles.
- Placing a chimney connector pipe inside a ventilated thimble, which is then separated from combustibles by 6" (150 mm) of fiberglass insulating material.
- Placing a chimney connector pipe inside a section of 9" (230 mm) diameter, solid-insulated, factory-built chimney, with two inches of air space between the chimney section and combustibles.

In Canada, The Canadian Standards Association has established different guidelines. The illustration below shows one method, in which all combustible material in the wall is cut away to provide the required 18" (460 mm) clearance for the connector. The resulting space must remain empty. A flush-mounted sheet metal cover may be used on one side only. If covers must be used on both



An approved wall pass-through, Canada.

sides, each cover must be mounted on non-combustible spacers at least 1" (25 mm) clear of the wall. Your local dealer or your local building inspector can provide details of other approved methods of passing a chimney connector through a combustible wall. In Canada, this type of installation must conform to CAN/CSA-B365, Installa-

tion Code for Solid Fuel Burning Appliances and Equipment.

NOTE: Do not vent your Resolute Acclaim into a factory-built (zero-clearance) fireplace. These appliances and their chimneys are specifically designed as a unit for use as fireplaces. It may void the listing or be hazardous to adapt them for any other use.

DO NOT CONNECT A RESOLUTE ACCLAIM TO ANY AIR DISTRIBUTION DUCT OR SYSTEM.

Floor Protection

A tremendous amount of heat radiates from the bottom plate of your Resolute Acclaim, and the floor beneath requires special protection.

A Vermont Castings' Bottom Heat Shield, part #0246, provides heat protection. A floor protector provides spark and ember protection.

Most installations in the United States will require that the bottom heat shield be attached. Only when the stove is placed on a completely non-combustible surface such as unpainted concrete over earth may it be used without the heat shield in the United States.

In Canada, you may not use the Resolute Acclaim at all unless the bottom heat shield is attached.

Even when the bottom heat shield is installed, you must provide special protection to the floor beneath. Protection requirements vary somewhat between the United States and Canada as follows:

For U.S. installations with the optional Vermont Castings' bottom heat shield #0246 attached, use a non-combustible floor protector such as 1/4" non-asbestos mineral board or equivalent, or 24 gauge sheet metal.

The floor protector is required under the stove and must extend at least 16 inches from the front of the stove (labeled "C" in accompanying illustration), and at least 6 inches from the sides and rear ("D" and "E" in illustration). It must also extend under the chimney connector and 2 inches to either side ("F" in illustration).

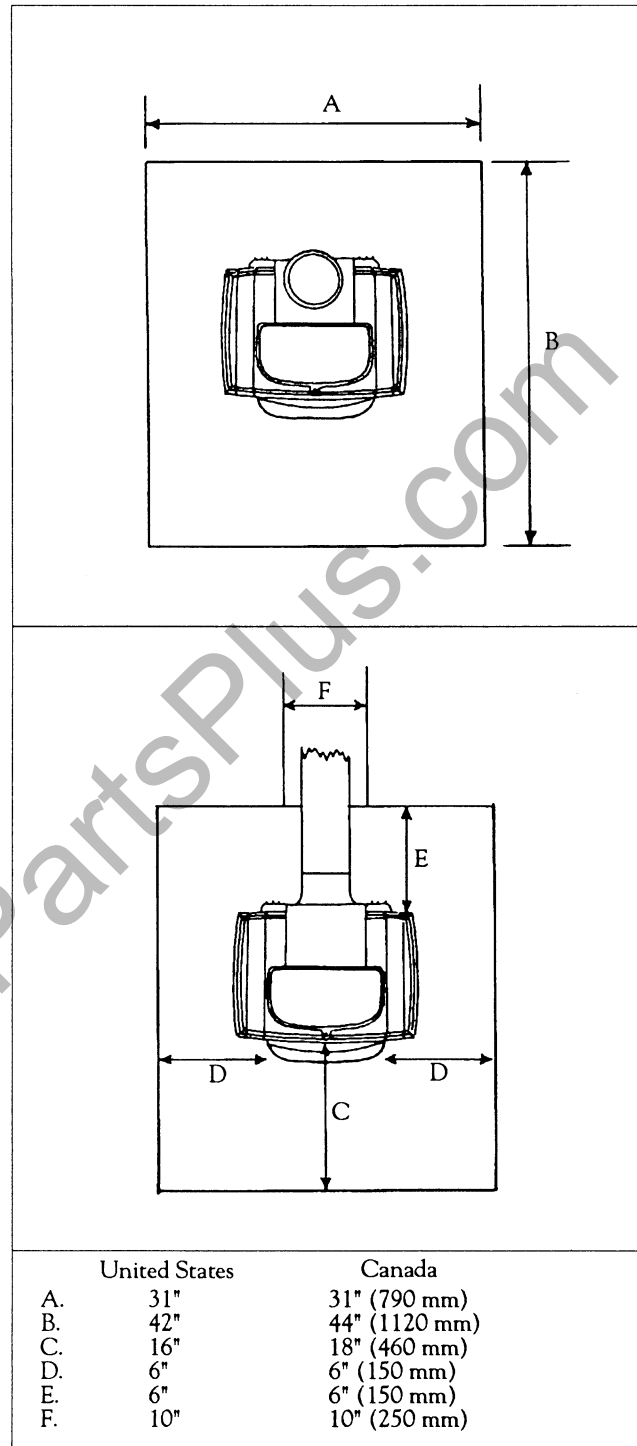
In Canada, a non-combustible floor protector is required under the heater also. The floor protector must extend 18 inches (460 mm) to the front (labeled "C" in accompanying illustration), and 6 inches (150 mm) from the right side and rear ("D" and "E" in illustration).

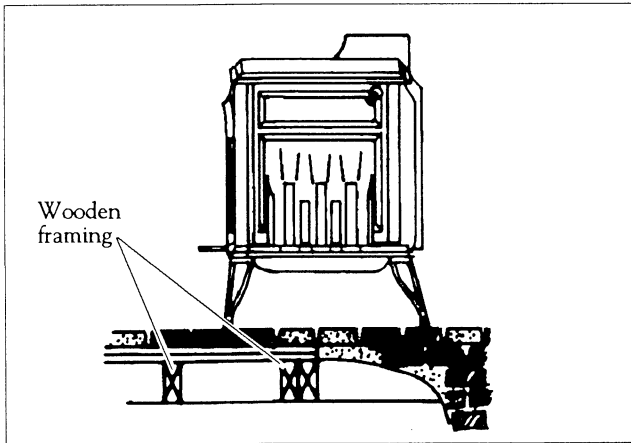
For installations in both the United States and Canada, the floor protector may be covered with a non-combustible decorative material if desired. Do not obstruct the space under the heater.

Fireplace Installations Need Floor Protection Too

Don't assume that your fireplace hearth is completely non-combustible

Many fireplace hearths do not satisfy the "completely non-combustible" requirement because the brick or concrete in front of the fireplace opening is supported by heavy wood framing. Because heat passes readily through brick or concrete, it can easily pass through to the wood. As a result, such fireplace hearths can be a fire hazard and are considered a combustible floor.





Combustible supporting timbers may lie beneath fireplace hearths; such situations require additional floor protection.

For all fireplace installations, follow the floor protection guidelines described above.

Keep in mind that many raised hearths will extend less than the required clearance from the front of the heater when it is installed. In such cases, sufficient floor protection as described above must be added in front of the hearth to satisfy the minimum floor protector requirement from the front of the stove: 16" (410 mm) from the front in the United States and 18" (460 mm) from the front in Canada.

Hearth rugs do not satisfy the requirements for floor protection.

Fireplace installations also have special clearance requirements to the side walls, side decorative trim, and fireplace mantle. This information follows.

Keep The Stove A Safe Distance From Surrounding Materials

Both a stove and its chimney connector radiate heat in all directions when operating. A safe installation requires that adequate clearance be maintained between the stove and nearby combustible materials to ensure that such materials do not overheat.

Clearance is the distance between either your stove or chimney connector, and nearby walls, floors, the ceiling, and any other fixed combustible surface. Keep furnishings and other combustible materials away from the stove as well. In general, a distance of 48" (1220 mm) must be maintained between the stove and moveable combustible items such as drying clothes, furniture, newspapers, firewood, etc. Keeping those clearance areas empty assures that nearby surfaces and objects will not overheat.

Safe Ways To Reduce Clearances

Your stove has special clearance requirements that have been established after careful research, and testing to UL and ULC standards.

Clearance requirements have been established to meet every installation possibility, and they involve the combination of four basic variables:

- When the stove has no listed heat shield mounted on it.
- When the stove has a listed heat shield mounted on it.
- When the wall has no listed heat shield mounted on it.

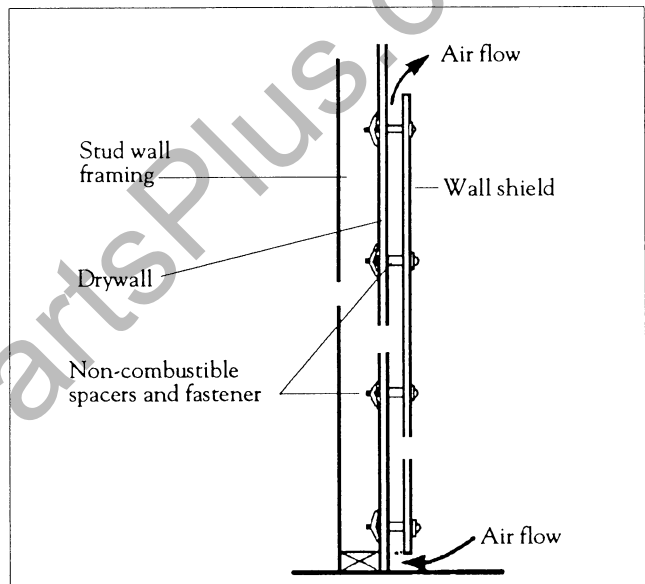
- When the wall has a listed heat shield mounted on it.

In general, the greatest clearance is required when you are placing a stove with no heat shield near a wall with no heat shield. The least clearance is required when both the stove and the wall have heat shields. Reducing a stove clearance may require a listed heat shield on the chimney connector as well.

Clearances may be reduced only by means approved by the regulatory authority, and in accordance with the clearances listed in this manual.

Wall Shields

Wall shields should be constructed of 24 gauge or heavier sheet metal, or another non-combustible material such as 1/2" (13mm) insulation board or common brick "laid on



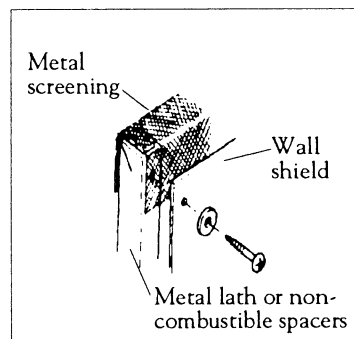
Wall shields must be spaced out from the combustible surface 1" (25 mm) on non-combustible spacers.

flat," with the 3-1/2" (90 mm) side down.

Shields must be spaced out from the combustible surface 1" (25 mm) on non-combustible spacers. The spacers should not be directly behind the stove or chimney connector.

Air must be able to flow between the wall and the shield. At least 50% of the bottom 1" (25 mm) of the shield should be open and the shield must be open at the top.

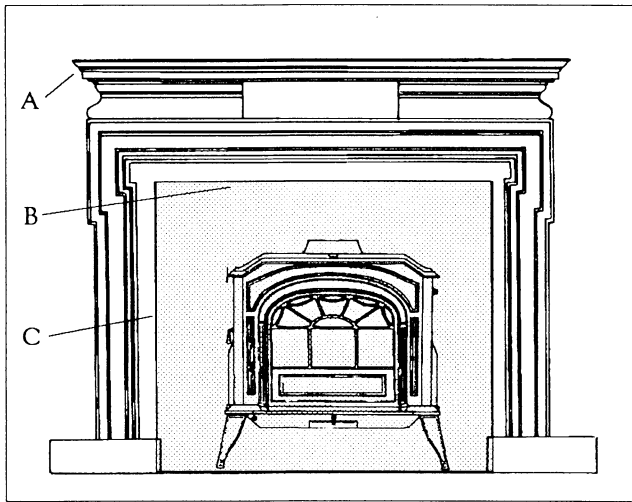
When calculating clearance, always measure from the stove or chimney connector to the wall, not to the wall shields or the heat shields of the stove or connector.



Metal screening placed over the top of a wall shield will prevent small objects from falling behind it.

Fireplace Installations

A fireplace installation requires special clearance between the side of the stove and the right and left walls, the side of the stove and the decorative side trim on the fireplace face, and the top of the stove and the mantel.



An unprotected mantel ("A" in accompanying illustration) must have a minimum clearance of 40" (1020 mm), measured from the stove's top plate. With a ventilated shield the clearance may safely be reduced to 34" (860 mm). Maximum depth of the mantel is 9" (230 mm).

Unprotected top trim (B) protruding 1-1/2" (40 mm) or less from the face of the fireplace must be a minimum of 31" (790 mm) from the stove's top surface. This clearance may not be reduced by shielding. If top trim protrudes more than 1-1/2" (40 mm) the mantel clearances of 40" (1020 mm) unshielded and 34" (860 mm) shielded must be used.

Unprotected side trim must have a minimum clearance of 11" (280 mm), measured from the stove's top side edge. With a ventilated trim shield, the clearance may be reduced safely to 8" (200 mm).

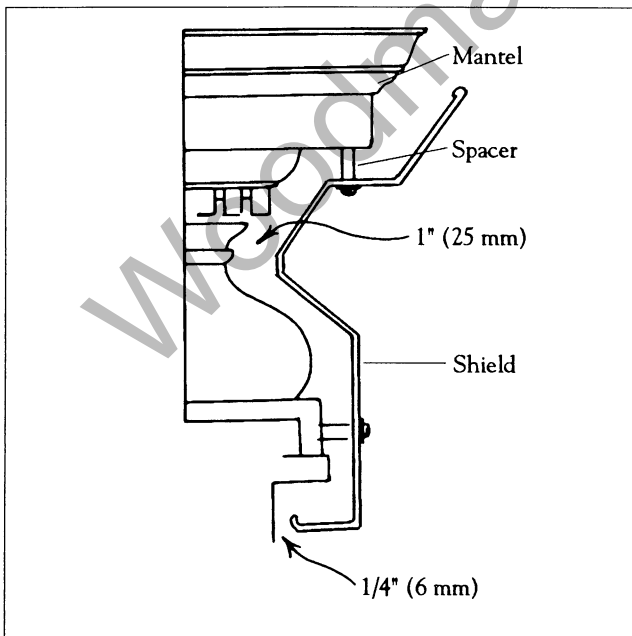
In addition, a fireplace installation must observe the floor protection guidelines discussed previously.

The charts and sample installations that follow list all the clearances required for the various installation configurations of the Resolute Acclaim.

Fireplace Mantel and Trim Clearances

	Protected	Unprotected
A. Mantel	34" (860 mm)	40" (1020 mm)
B. Top trim	31" (790 mm)	31" (790 mm)
C. Side trim	8" (200 mm)	11" (280 mm)

Ventilated shields (non-combustible) shields installed on non-combustible spacers 1" (25 mm) away from the combustible surface) may be used to reduce clearances. A mantel shield for the Resolute Acclaim must be at least 48" (1220 mm) long, centered over the stove. Side trim shields must extend the full length of the trim.

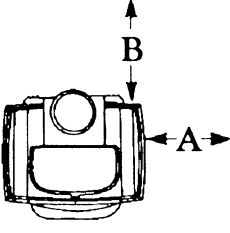
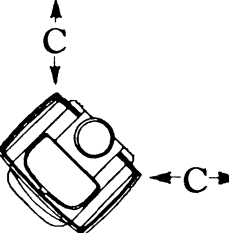
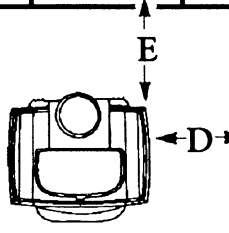
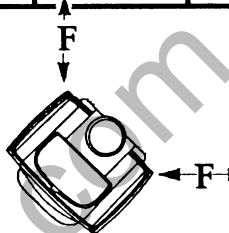
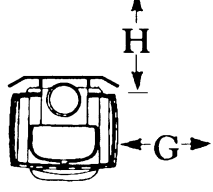
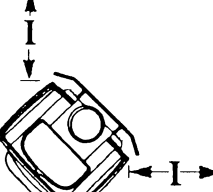
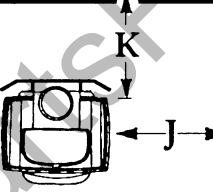
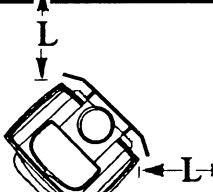
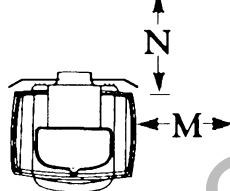
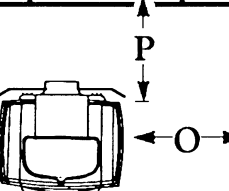
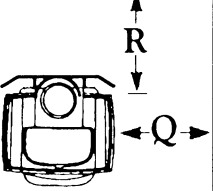
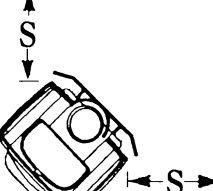
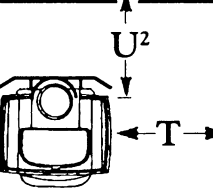
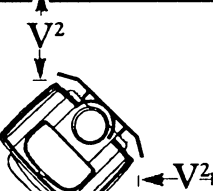


A custom -formed mantel shield.

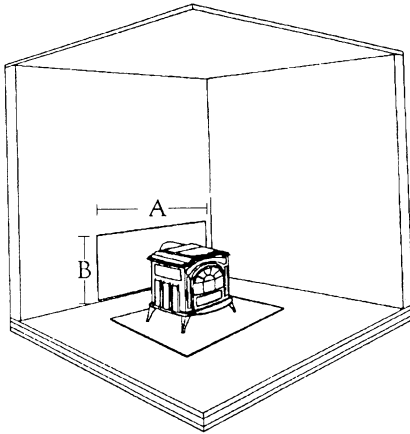
Resolute Acclaim Clearance Chart

	UNPROTECTED SURFACE			PROTECTED SURFACE		
	Parallel Installation		Corner Installation	Parallel Installation		Corner Installation
	Side	Rear	Corner	Side	Rear	Corner
STOVE CLEARANCE						
No heat shields	[A] 15" (380mm)	[B] 24" (610mm)	[C] 15" (380mm)	[D] 8" (200mm)	[E] 13" (330mm)	[F] 8" (200mm)
Top exit, rear heat shield only ¹	[G] 15" (380mm)	[H] 24" (610mm)	[I] 15" (380mm)	[J] 8" (200mm)	[K] 13" (330mm)	[L] 8" (200mm)
Rear exit, rear heat shield only	[M] 15" (380mm)	[N] 10" (250mm)	[NA]	[O] 8" (200mm)	[P] 7" (180mm)	NA
Top exit, rear and connector heat shields ^{1,2}	[Q] 15" (380mm)	[R] 15" (380mm)	[S] 15" (380mm)	[T] 8" (200mm)	[U] 9" (230mm)	[V] 8" (200mm)
CHIMNEY CONNECTOR CLEARANCE	All Installations			All Installations		
No heat shields	23" (580mm)			12" (300mm)		
Chimney connector heat shields ²	14" (360mm)			8" (200mm)		
FRONT CLEARANCE TO COMBUSTIBLES	All Installations					
	48" (1220mm)					
¹ When a rear heat shield is installed on a top exit stove, the shield insert must be attached to the shield so the area behind the flue collar on the stove is protected.						
² Chimney connector heat shields must extend exactly 28" (710 mm) above the flue collar of the stove. No shielding can be used on the connector above 28" (710 mm). The unshielded chimney connector above the 28" (710 mm) point will be 14" (360 mm) from an unprotected wall or 8" (200 mm) from a protected wall.						

WoodmansPartsPlus.com

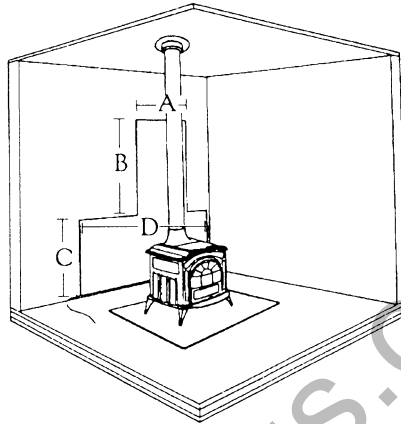
UNPROTECTED SURFACES		PROTECTED SURFACES	
Stove Installed Parallel to Wall	Stove in Corner	Stove Installed Parallel to Wall	Stove in Corner
			
			
	NA		NA
			

Minimum Wall Shield Requirements for Some Common Resolute Acclaim Installations



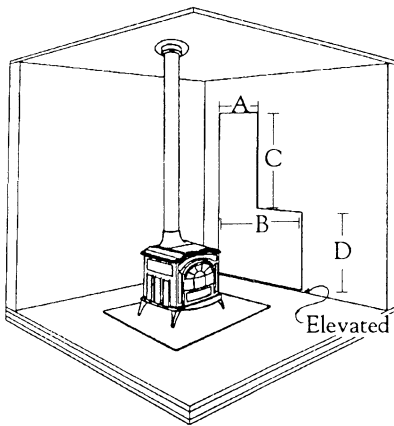
- A. 48" (1220 mm)
- B. 36" (910 mm)

A rear-exit stove with reduced rear wall clearance only.



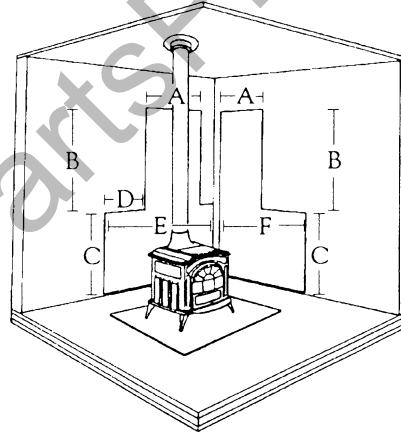
- A. 26" (660 mm)
- B. 44" (1120 mm)
- C. 36" (910 mm)
- D. 48" (1220 mm)

A top-exit stove with a wall shield only (no pipe or stove heat shields), A 26" wide section of rear wall shield must be centered behind the connector.



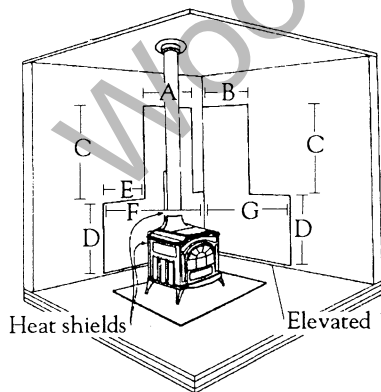
- A. 26" (660 mm)
- B. 49" (1230 mm)
- C. 44" (1120 mm)
- D. 36" (910 mm)

A top-exit stove with reduced side wall clearance only.



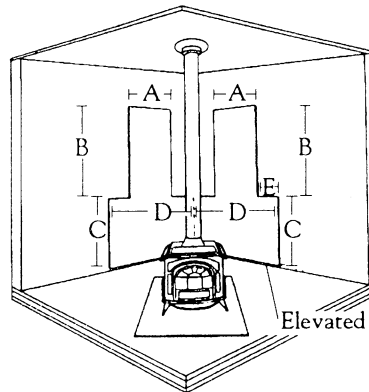
- A. 26" (660 mm)
- B. 44" (1120 mm)
- C. 36" (910 mm)
- D. 11" (280 mm)
- E. 43" (1090 mm)
- F. 49" (1230 mm)

A top-exit stove with reduced rear and side wall clearances. Note that rear wall shield must extend completely to corner.



- A. 26" (660 mm)
- B. 23" (580 mm)
- C. 44" (1120 mm)
- D. 36" (910 mm)
- E. 11" (280 mm)
- F. 43" (1090 mm)
- G. 47" (1190 mm)

A top exit stove with heat shields on both the stove and the chimney connector. Reduced rear and side wall clearances. The chimney connector heat shield must be exactly 28". Note that rear and side wall shields meet at corner.



- A. 26" (660 mm)
- B. 44" (1120 mm)
- C. 36" (910 mm)
- D. 36" (910 mm)
- E. 5" (130 mm)

A top-exit stove with reduced rear and side wall clearance. Wall shields must meet at corner.

Distance from the Center of the Flue Collar to the Wall in Top-Exit Installations

Resolute Acclaim: WITHOUT Stove and Chimney Connector Heat Shields					
<i>Unprotected Surfaces</i>			<i>Protected Surfaces</i>		
Parallel Installations		Corner Installations	Parallel Installations		Corner Installations
Side (A)	Rear (B)	Corner (C)	Side (D)	Rear (E)	Corner (F)
27-1/2" 700mm	26" 660mm	25-1/2" 650mm	20-1/2" 520mm	15" 380mm	18-1/2" 470mm
Resolute Acclaim: WITH Stove and Chimney Connector Heat Shields					
<i>Unprotected Surfaces</i>			<i>Protected Surfaces</i>		
Parallel Installations		Corner Installations	Parallel Installations		Corner Installations
Side (A)	Rear (B)	Corner (C)	Side (D)	Rear (E)	Corner (F)
27-1/2" 700mm	17" 430mm	25-1/2" 650mm	20-1/2" 520mm	11" 280mm	18-1/2" 470mm

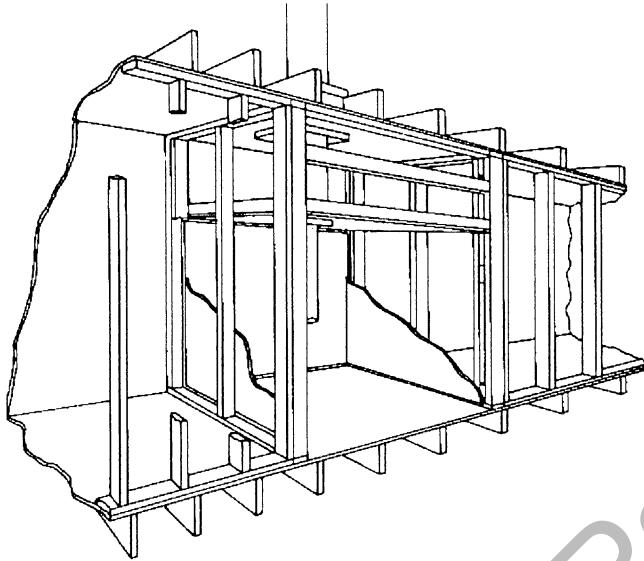
Alcove Installations

Because of their restricted air flow and heat retention characteristics, specific construction requirements and special clearances apply to installations into alcoves. No stove or chimney connector heat shields are used in alcove installations.

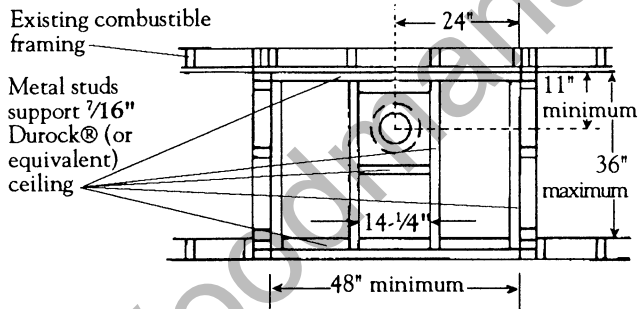
ALCOVE INSTALLATION OF THE RESOLUTE ACCLAIM IS NOT PERMITTED IN CANADA.

Construction Requirements

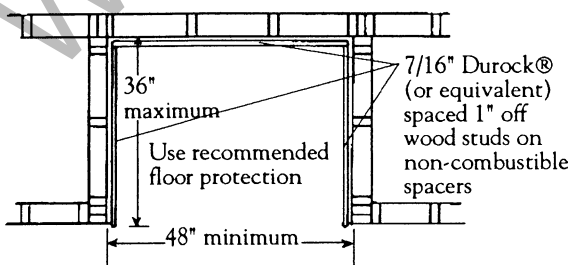
Showing non-combustible ceiling framing and maximum and minimum permitted dimensions



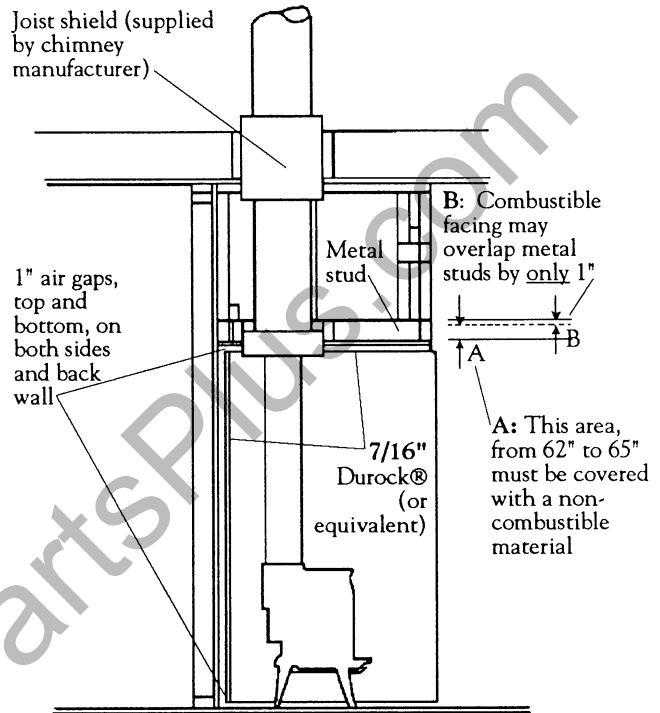
Cutaway perspective of alcove installation.



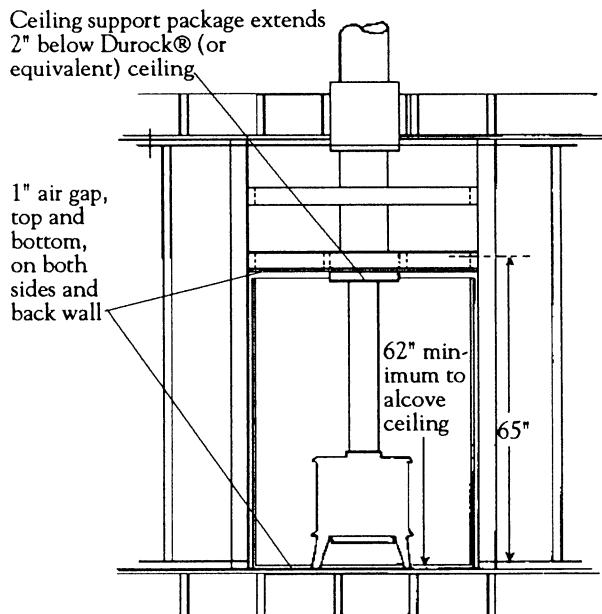
Reflected ceiling plan.



Floor plan. Sheetrock on front face butts to Durock® (or equivalent) alcove lining.



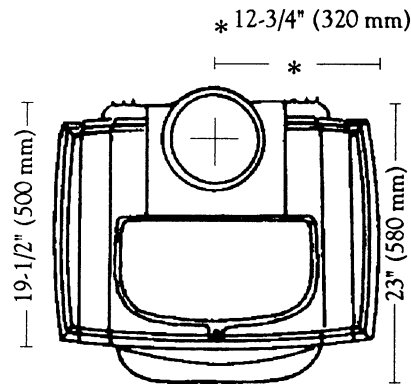
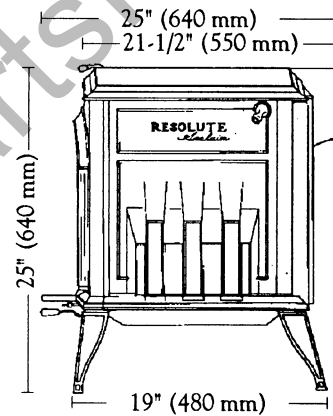
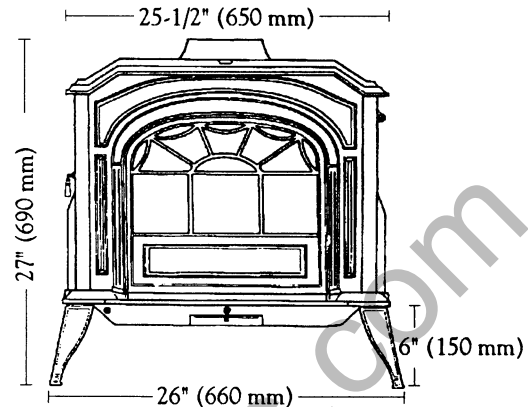
Side section.



Front section: 65" minimum clearance to combustibles on front face. Combustible facing may overlap metal studs by only 1". It should not extend below the height of the non-combustible ceiling

Specifications

Range of heat output	8,700-30,900 Btu's/hr.*
Maximum heat output	40,000 Btu's/hr.**
Area heated***	Up to 1600 sq. ft. (148 sq. m.)
Fuel size/type	16" (410 mm) wood splits
Fuel capacity	30 lbs. (13.6 kg.)
Loading	Front or top
Chimney connector	6" (150 mm) diameter
Chimney flue size	6" (150 mm) minimum
Flue exit position	Reversible, top or rear
Primary air	Manual
Secondary air	Preset
Ash handling system	Removable ash pan
Glass panel	High-temperature ceramic
Weight	425 lbs. (192 kg.)
Width (leg-to-leg)	26" (660 mm)
Depth (leg-to-leg)	19" (480 mm)
Height to top of flue collar:	
W/Regular legs	27" (690 mm) top exit 25" (640 mm) rear exit
W/Short legs	25" (640 mm) top exit 23" (580 mm) rear exit



*Under specific conditions used during EPA emissions testing.
 **This value can vary depending on how the unit is operated, and the type and moisture content of the fuel used. Figure shown is based on maximum fuel consumption obtained under laboratory conditions and on average efficiencies.

***These values are based on operation in building code-conforming homes under typical winter climate conditions in New England. If your home is of non-standard construction (e.g., unusually well-insulated, not insulated, built underground, etc.) or if you live in a more severe or more temperate climate, these figures may not apply. Since so many variables affect performance, consult your Vermont Castings' Authorized Dealer to determine realistic expectations for your home.

Woodman's Parts Plus.com

Warranty

LIMITED 3 YEAR WARRANTY

Vermont Castings, Inc. warrants that this Resolute Acclaim® will be free of defects in material and workmanship for a period of three years from the date you receive it, except that the handles, glass door panel, fireback arch inserts, cement, and gasketing shall be warranted as described below.

Vermont Castings, Inc. will repair or replace, at its option, any part found to be defective when the Resolute Acclaim is returned with shipping charges prepaid to a Vermont Castings' Authorized Dealer. The customer must pay for any Authorized Dealer in-home travel fees, service charges, or transportation costs for returning the stove to the Authorized Dealer. If upon inspection, the damage is found to be the fault of the manufacturer, repairs will be authorized at no charge to the customer for parts and/or labor.

Any Resolute Acclaim or part thereof that is repaired or replaced during the limited warranty period will be warranted under the terms of the limited warranty for a period not to exceed the remaining term of the original limited warranty or six (6) months, whichever is longer.

LIMITED 1 YEAR WARRANTY

The following parts of the Resolute Acclaim™ are warranted to be free of defects in material and workmanship for a period of one year from the date you receive it. These parts are the handles, glass door panel, fireback arch inserts, cement and gasketing. Any of these items found to be defective will be repaired or replaced at no charge, upon the return of said part to a Vermont Castings' Authorized Dealer with postage prepaid.

EXCLUSIONS & LIMITATIONS

1. This warranty is transferable; however, proof of original retail purchase is required.

2. This warranty does not cover misuse of the stove. Misuse includes overfiring which will result if the stove is used in such a manner as to cause one or more of the stove plates to glow red. Overfiring can later be identified by warped plates and areas where the paint pigment has burned off. Overfiring in enamel stoves is identified by bubbling, cracking, chipping and discoloration of the porcelain enamel finish. Vermont Castings offers no warranty on chipping of enamel surfaces. Inspect your stove prior to accepting it for any damage to the enamel.

3. This warranty does not cover misuse of the Resolute Acclaim as described in the Owner's Guide, nor does it cover a Resolute Acclaim which has been modified unless authorized by a Vermont Castings' representative in writing. This warranty does not cover damage to the stove caused from a salt environment or from burning salt saturated wood, chemically treated wood, or any fuel not recommended in the Owner's Guide.

4. This warranty does not cover a stove repaired by someone other than a Vermont Castings' Authorized Dealer.

5. Damage to the unit while in transit is not covered by this warranty but is subject to claim against the common carrier. Contact the Vermont Castings' Authorized Dealer from whom you purchased your Resolute Acclaim. (Do not operate the Resolute Acclaim as this may negate the ability to process the claim with the carrier.)

6. Claims are not valid where the installation does not conform to local building and fire codes or, in their absence, to the recommendations in the Owner's Guide.

HOW TO OBTAIN SERVICE

If a defect is noted within the warranty period, the customer should contact a Vermont Castings' Authorized Dealer with the following information:

1. Name, address, and telephone number of the purchaser.
2. Date of purchase.
3. Serial number from the label on the back of the stove.
4. Nature of the defect or damage.
5. Any relevant information or circumstances, i.e., installation, mode of operation when defect was noted.

A warranty claim will then start in process. Vermont Castings reserves the right to withhold final approval of a warranty claim pending a visual inspection of the defect by authorized representatives.

WoodmansPartsPlus.com

WoodmansPartsPlus.com



CFM Corporation

2695 Meadowvale Boulevard, Mississauga, Ontario L5N 8A3 Canada
(800) 668-5323 · www.cfmcorp.com

For more information on your Vermont Castings products,
please visit us online at www.cfmcorp.com