

Stove Leg Installation Instructions

See Part Numbers Below

Part Numbers

• Cast Brass	99200500	• Sculptured Black	99200105
• Cast Black	99200800	• Sculptured Pewter	99200107
• Cast Pewter	99200801	• Sculptured Nickel	99200108

Compatibility

• Avalon Pendleton (745/790)	• Avalon Rainier (945/990)	• Avalon Olympic (1190)
• Lopi Answer	• Lopi Endeavor	• Lopi Liberty

Packing List

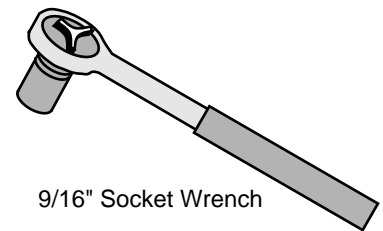
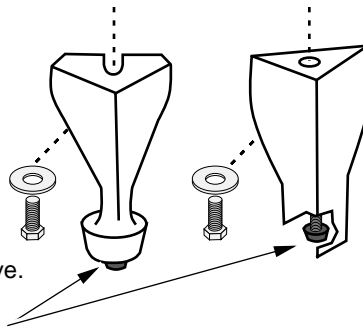
- (4) Legs (includes leveling bolts)
- (4) Bolts & Washers (3/8-16 3/4")

Installation

Raise the stove approximately 8", allowing room for leg installation (we recommend using lumber). Attach each leg following the directions below.

Attach each leg to the stove by inserting a bolt and washer through the hole or slot in the leg and into the threaded hole on the stove.

These rubber-tipped bolts are for leveling the stove. Make sure they contact the floor. Do not adjust with weight on the legs, the rubber tips may tear.



9/16" Socket Wrench