



864TRV GS – 564 SS GS

Blower Installation Instructions (sku 99000162)

Packing List

- (2) Blower Assemblies (1 left, 1 right)
- Wiring Harness
- Rheostat
- Snap Disc
- (4) Brass Bushings
- Rheostat Nut
- Rheostat Knob
- (4) #8 x 3/4" Screws

Warnings

WARNING: Make sure power to the stove has been shut off prior to installation (Unplug the stove). Do not connect 110-120 VAC to the gas control valve or wiring system of this appliance.

NOTE: Install the blower prior to connecting the gas line or installing the stove. If using the GreenSmart™ remote, install it after the blower is in place.

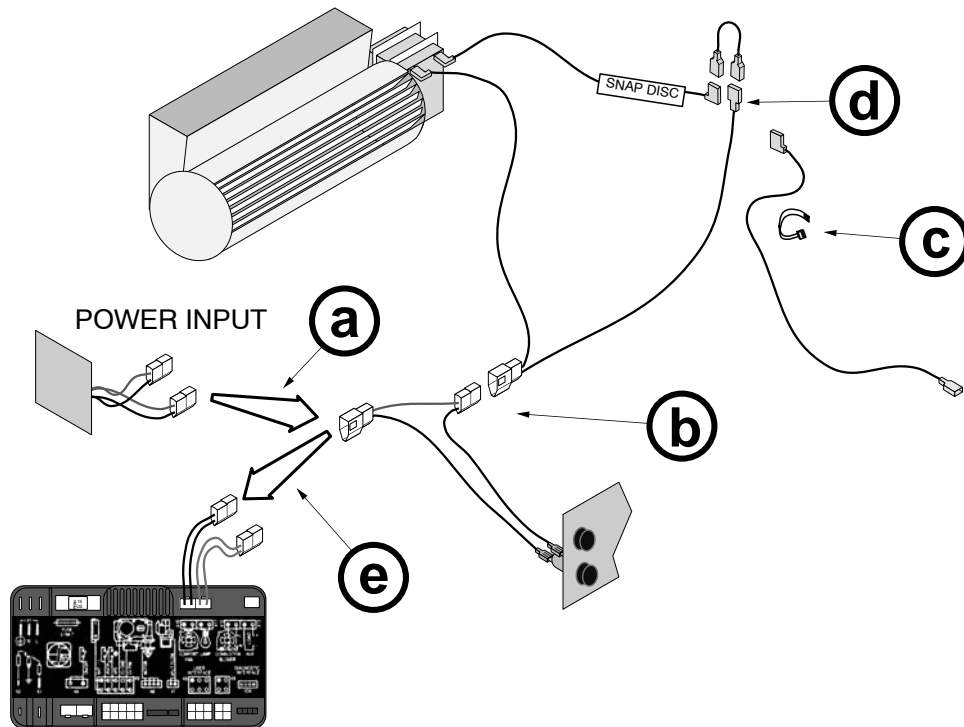
NOTE: If using the GreenSmart™ remote, refer to the special instructions below (GS1 or GS2). When using the GreenSmart™ remote, certain installation steps may be disregarded or altered.

Special Instructions for GreenSmart™ 2 Remote (GS2)

When using the GS2 remote, power for the blower is routed through the fuse and IFC, bypassing the rheostat and snap disc included with the blower kit (these items may be kept for spare parts).

HINT: Install the blower(s) with the IFC removed. Connect the wiring as shown below.

Disconnect the blower power input (see "a" below). Connect the blower wiring harness to the fuse output (see "b" below). Disconnect and discard the electrical line intended to connect the snap disc to the rheostat (carefully remove the wire tie from the wiring harness – see "c"). Attach the jumper wire (included with the remote) to the wires labeled "SNAP DISC" (see "d" below). Attach the blower power input (see "e") to "FAN" lead on the fuse harness (pre-connected to the IFC). This circuit bypasses the rheostat and snap disc (these components included with the blower kit are not used and may be kept for replacement part purposes).





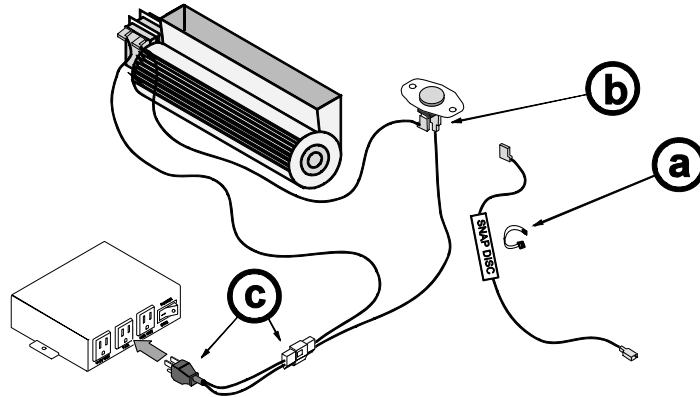
864TRV GS – 564 SS GS

Blower Installation Instructions (sku 99000162)

Special Instructions for GreenSmart™ 1 Remote (GS1)

When using the GS1 remote, the rheostat is bypassed and the power connected to the fan extension module.

Disconnect and discard the electrical line that leads from the snap disk to the rheostat (carefully remove the wire tie and “SNAP DISK” label from the wiring harness – see “a”). Attach the lead from the power input to the snap disk (see “b”). Attach the wiring harness molex to the power lead (included with the remote – see “c”). Then plug the power lead into the outlet labeled “FAN” on the fan control module. Disregard the instructions for installing the rheostat (steps 6 through 9) or attaching power to the wiring harness (step 4).



Installation

- 1 Remove the concealment cover (see Figure 1).



Figure 1

- 2 Unscrew the four screws holding the control cover in place (see Figure 2). Carefully remove the control cover and place it aside (leave the wiring intact - see Figure 3)



Figure 2



Figure 3



864TRV GS – 564 SS GS

Blower Installation Instructions (sku 99000162)

- 3 Insert the brass bushings into the rubber grommets on the vertical brackets on the blower assemblies (both sides – see Figure 4).

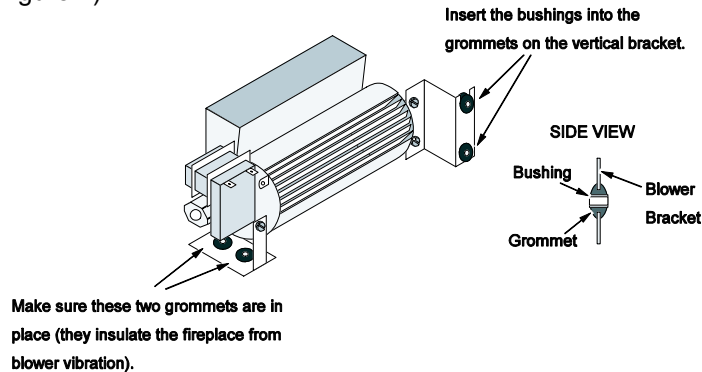


Figure 4

- 4 Attach the blower assemblies to the fireplace with the included screws (see Figure 5 “a”). Remove the cover plate from the fireplace and attach the snap disk using the same screws (see Figure 5 “b”).

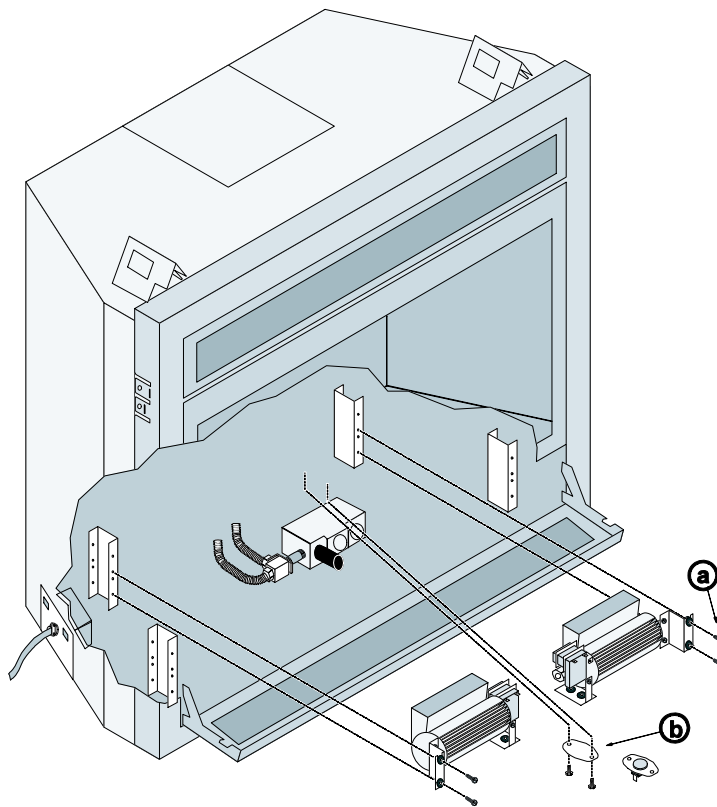


Figure 5

HINT:

It is easier to install the blower on the side opposite the gas line entry point (in this example on the left side). Slide the blower behind the gas control valve and burner gas lines.





864TRV GS – 564 SS GS

Blower Installation Instructions (sku 99000162)

- 5 Attach the power input on the wiring harness to the appliance (see Figure 6 “a”)
 - on GS2 units, attach power input to the fuse connection marked “FAN”. If using the GreenSmart remote, make sure to follow the “Special Instructions...” below.
 - on older units, attach the power input to the fireplace junction box on the side of the fireplace.

Attach the blue connectors to one blower and the red connectors to the other blower (labeled “BLOWER” - see Figure 6 “b”). Connect the wires labeled “SNAP DISC” to the snap disc (see Figure 6 “c”). Attach the rheostat wires (see Figure 6 “d”). Secure the rheostat to the control panel (see Figure 6 “e”). Make sure all wiring is away from hot or moving components – secure with wire ties if necessary.

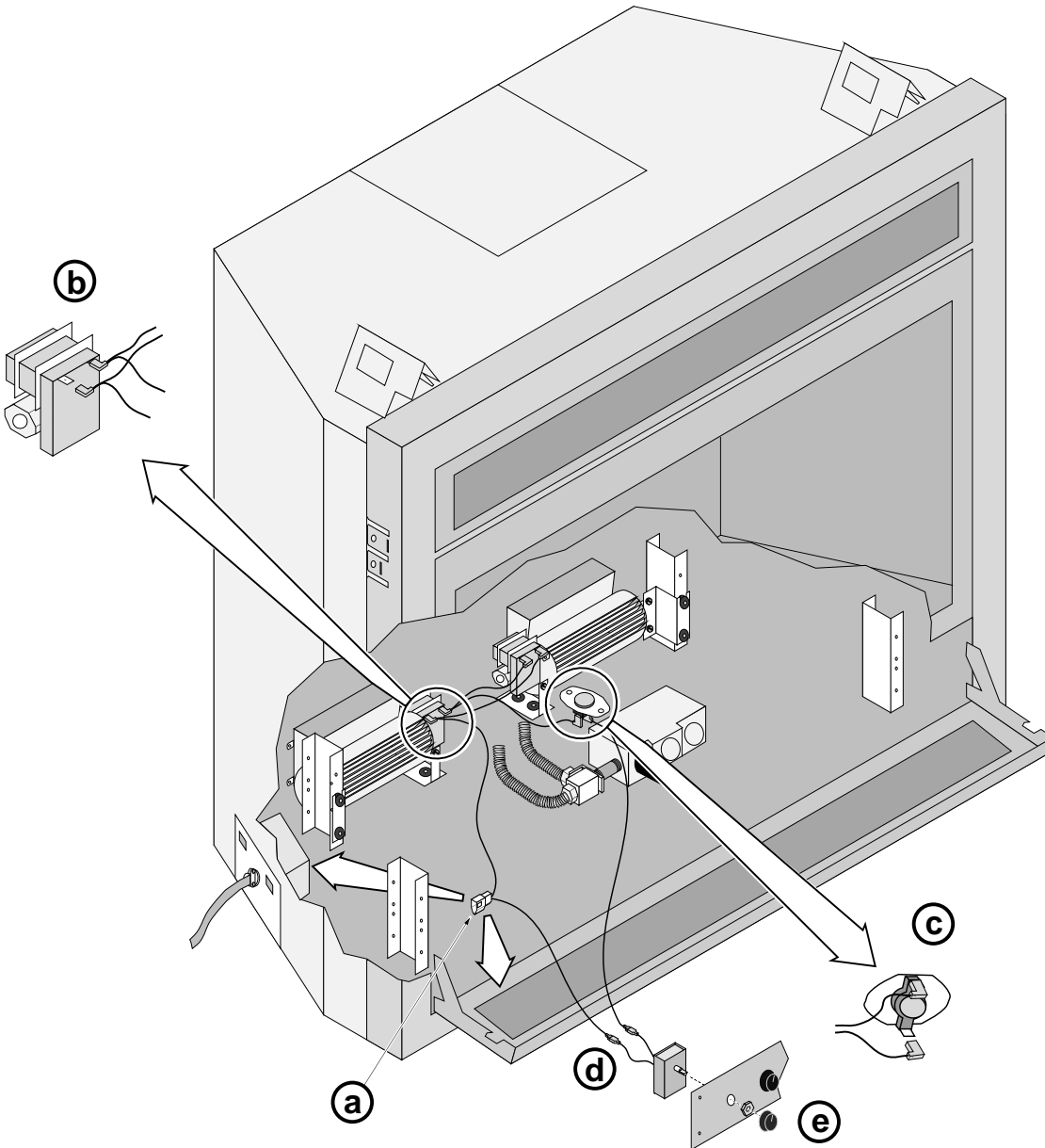


Figure 6

- 6 Replace the control panel and concealment cover and return the fireplace to the correct configuration.