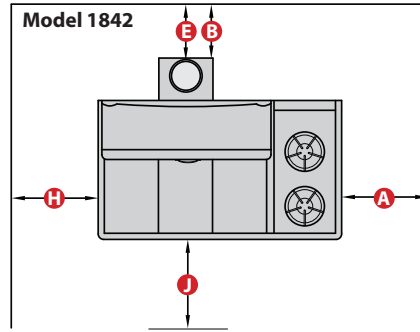
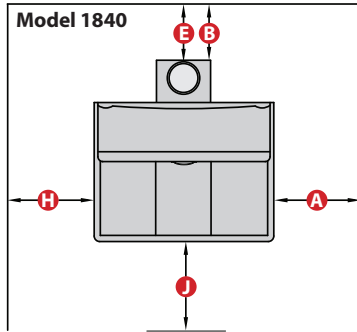
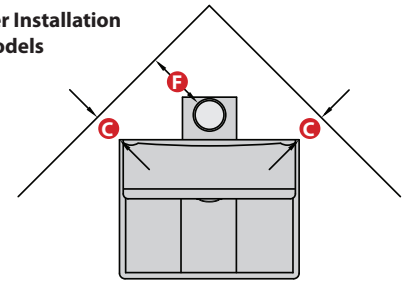


FIREVIEW CLEARANCES AND SPECIFICATIONS



**Corner Installation
All Models**



Model 1840	A	B	C	E	F	G	H	J	Measure
No Heat Shield	10	18	13	18	18	60	18	48	Inches
Using Single Wall Pipe	254	457	330	457	457	1524	457	1219	Mm.
With Heat Shield	10	3	10	6	6	60	18	48	Inches
Using Double Wall Pipe	254	76	254	152	152	1524	457	1219	Mm.
Model 1842	A	B	C	E	F	G	H	J	Measure
No Heat Shield	3	18	13	18	18	60	18	48	Inches
Using Single Wall Pipe	76	457	330	457	457	1524	457	1219	Mm.
With Heat Shield	3	3	10	6	6	60	18	48	Inches
Using Double Wall Pipe	76	76	254	152	152	1524	457	1219	Mm.

G = vertical distance from cooking surface to combustibles above the stove.

Note: A certified double-wall stove pipe must be used to maintain 6" clearance (dimension E) from pipe to combustibles. The approved stove pipe must extend from the chimney to the stove.

Note: These are factory-recommended clearances. Local, state or provincial building and fire codes take precedence and must be observed. Clearances are subject to change without notice.

When heat shield is installed, **dimensions B and F** are taken from heat shield. ("Heat shield" refers to complete stove/-pipe shield kit.) **Dimension E** is taken from outside edge of pipe.

	1840	1842-0	1842-G
OVERALL DIMENSIONS			
Width	35 3/4"	49 1/2"	49 1/2"
Height	67 1/4"	67 1/4"	67 1/4"
Cooking Surface Height	35"	35"	35"
Depth including Flue Boot	36 5/8"	36 5/8"	36 5/8"
Depth without Flue Boot or Doors (door clearance for delivery)	28 1/2"	28 1/2"	28 1/2"
Assembled Weight / Shipping Weight (with skid)	428/454 lb.	450/485 lb.	465/500 lb.
Carry Weight (no doors, plates, brick, grate, cabinet, etc.)	145 lb.	160 lb.	165 lb.
OVEN DIMENSIONS			
Capacity		3.0 cu. ft.	
Width		18 1/4"	
Height		11 1/2"	
Depth		24 3/8"	
FIREBOX			
Capacity		1.6 cu. ft.	
Width		9 1/4"	
Height		13 1/2"	
Depth		22"	
Ideal Log Length		18"	
Secondary Air		YES	
Heat Output		60,000 BTU / Hr.	
OTHER FEATURES AND OPTIONS			
Sealed Gas Burners, 11,000 BTU Liquid Propane	N/A	N/A	2
Auto-Ignition for Gas Burners (9V Battery Powered)	N/A	N/A	YES
Overhead Warmer	Standard	Standard	Standard
Side Warmer	N/A	Standard	Standard
Fireview Door	Standard	Standard	Standard
Nickel Door Frames	Standard	Standard	Standard
Nickel Victorian Trivet	Optional	Optional	Optional
Nickel Front Legs	Optional	Optional	Optional
Nickel Front Skirt	Optional	Optional	Optional
Heat Shield	Optional	Optional	Optional

Elmira Stove Works

285 Union Street, Elmira, Ontario, Canada N3B 3P1
 (519) 669-1281, Fax: (519) 669-1774, Toll Free: (800) 295-8498
www.ElmiraStoveWorks.com