

**OWNERS
MANUAL**

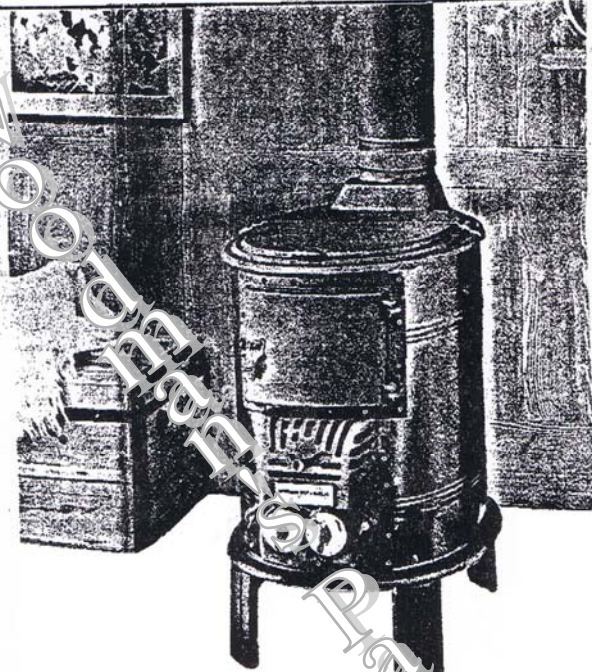
**MODEL
2502**

CAUTION:

Read All Instructions
Carefully Before Start-
ing The Installation.

Do Not Use This
Heater in Mobile
Homes or Trailers.

Save Manual For
Future Reference.



**AUTOMATIC
THERMOSTAT-CONTROLLED
WOOD HEATER**

- **INSTALLATION**
- **OPERATION**
- **REPAIR PARTS**

ATLANTA STOVE WORKS, INC.

6,045-428

Atlanta, Georgia 30307

HOW TO ORDER REPAIR PARTS

The Model Number will be found on the front of the heater. Always mention the Model Number when requesting service or repair parts for your Heater.

WHEN ORDERING REPAIR PARTS, ALWAYS GIVE THE FOLLOWING INFORMATION:

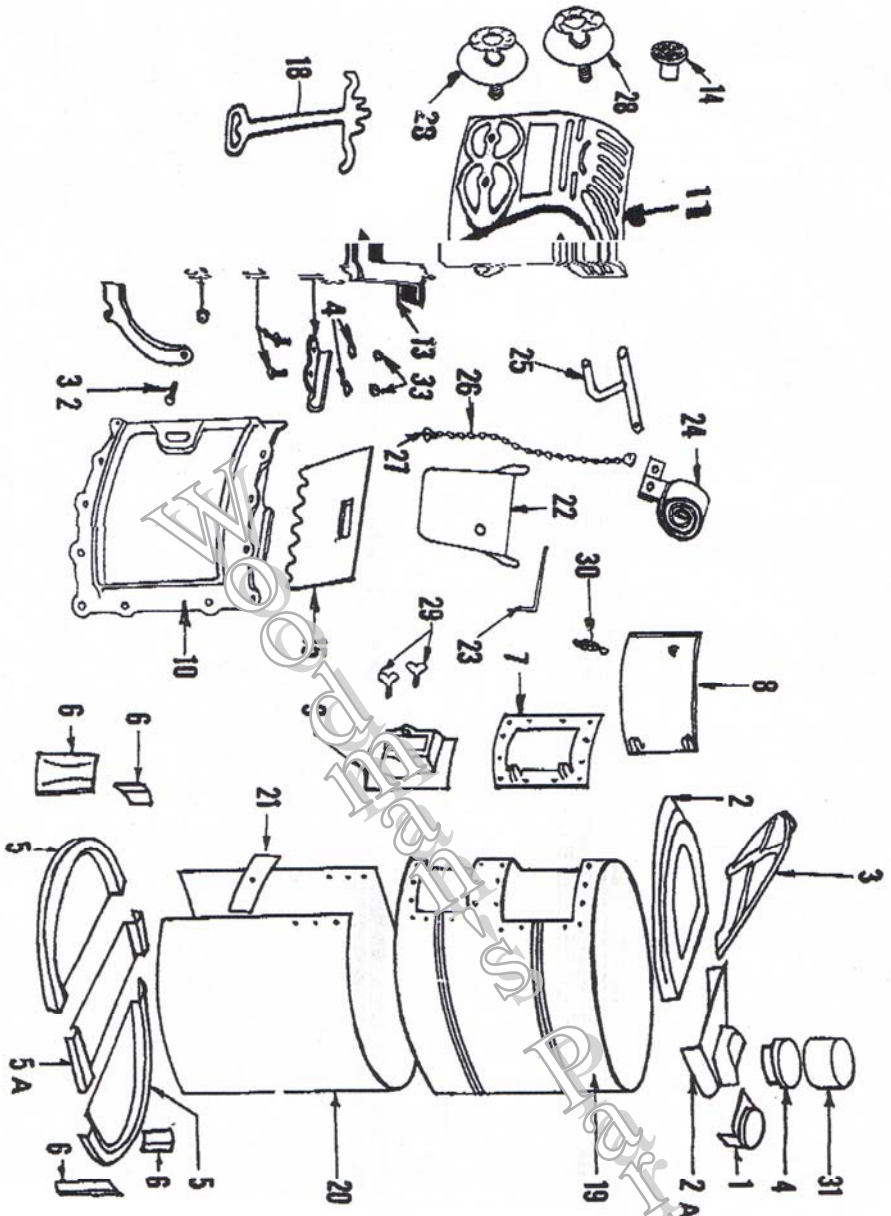
1. The PART NUMBER
2. The PART DESCRIPTION
3. The MODEL NUMBER
4. The NAME OF ITEM

PARTS FOR

MODEL 2502

PARTS LIST

| Ref. No. | Part | Model 2502 |
|----------|--|------------|
| 1 | Reversible Collar | 1096 |
| 2 | Main Top, Front | 2206 |
| 2A | Main Top, Rear | 2207 |
| 3 | Lift Top | 2231 |
| 4 | Round Collar Ring | 2238 |
| 5 | Bottom, End (2 Req'd) | 2298 |
| 5A | Bottom, Center | 2299 |
| 6 | Leg (4 Req'd) | 2234 |
| 7 | Fire Door Frame | 2529 |
| 8 | Fire Door | 2530 |
| 9 | Ash Door Frame | 2236 |
| 10 | Inside Frame | 2228 |
| 11 | Grille - Housing | 2297 |
| | | 70 |
| 13 | Draft Control Cup | 6.022-202 |
| 14 | Draft Control Knob | 2232 |
| 15 | Wood Guard | 2233 |
| 16 | Wood Guard Hinge | 2239 |
| 17 | Wood Guard Ratchet | 2256 |
| 18 | Control Key | C-5050 |
| 19 | Drum | C-5051 |
| 20 | Lining | C-5054 |
| 21 | Lining Strip | C-5052 |
| 22 | Draft Flap | 6.051-207 |
| 23 | Draft Flap Hinge Pin | 6.132-108 |
| 24 | Thermostat Coil | 6.132-104 |
| 25 | Thermostat Rod | 6.132-105 |
| 26 | Bead Chain—5 $\frac{1}{2}$ " | 6.132-107 |
| 27 | Bead Chain Eyelet | 6.133-100 |
| 28 | Screw Draft Register (2 Req'd) | 6.132-103 |
| 29 | Ash Door Thumb Screw | 6.022-100 |
| 30 | Wire-Lift-Handle | 6.140-130 |
| 31 | Quarter Joint—6" Pipe | 6.011-107 |
| 32 | Flat Head Mach. Screw—3/16" x 1" (3 Req'd) | 6.012-021C |
| 33 | Hex Nut—3/16" (3 Req'd) | 6.014-153 |
| 34 | Lock Washer—1/4" (2 Req'd) | 6.045-428 |
| | Instruction Manual | |



WHEN ORDERING PARTS — PLEASE STATE MODEL NUMBER

Copyright © 1965 Perkin-Elmer, Inc.