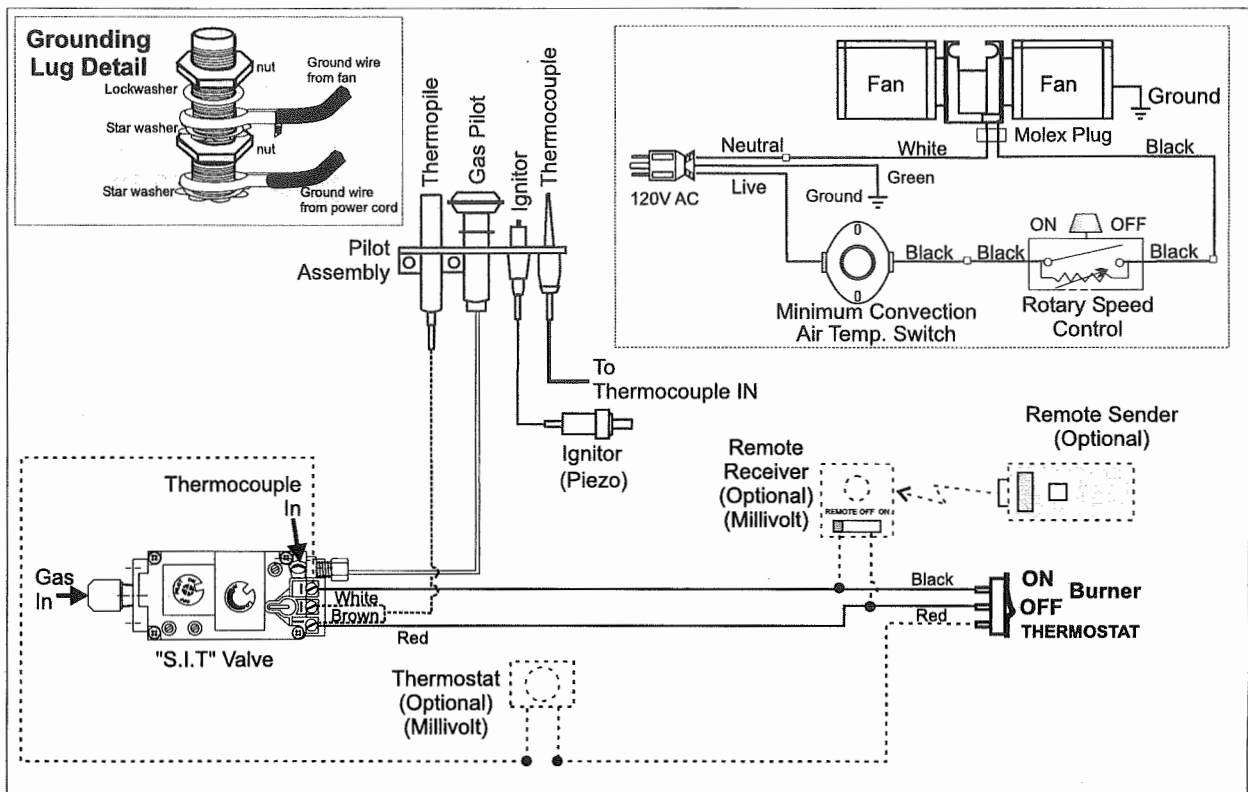


WIRING DIAGRAM - U45-NG3 & U45-LP3



WIRING DIAGRAM - U29-NG2 & U29-LP2

