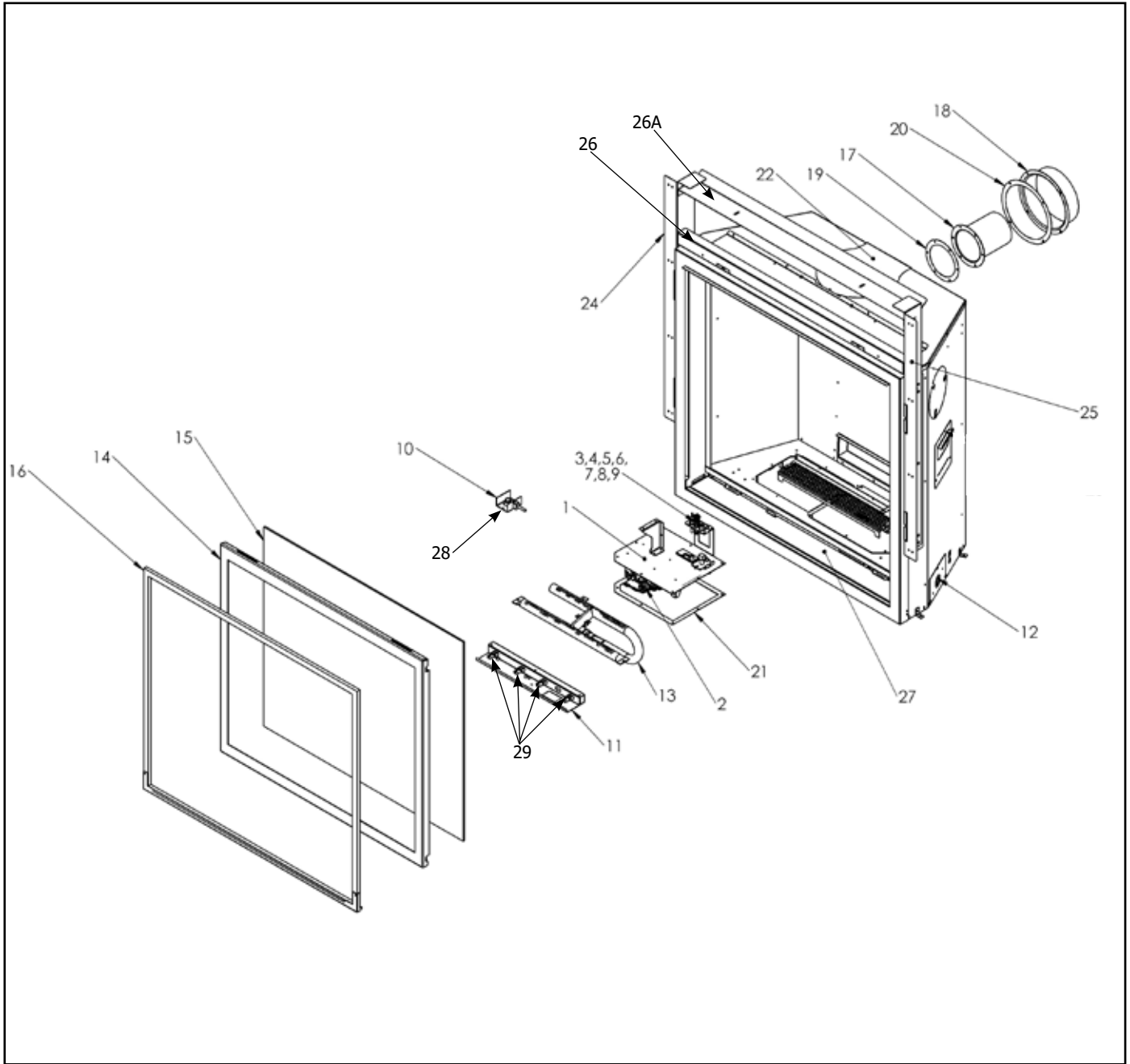


Main Assembly



parts list

Main Assembly

	Part	Description
1	761-574/P	Valve Assembly - NG
1	761-576/P	Valve Assembly - LP
2	911-188	Valve NG 885 SIT IPI 0.885.009
2	911-189	Valve LP 885 SIT IPI
3	911-276	Pilot Assembly IPI NG 2 Flame
3	911-277	Pilot Assembly IPI LP 2 Flame
3	910-036	Orifice SIT Pilot - NG #51 977.165
3	910-037	Orifice SIT Pilot - LP #30 977.167
4	911-190	Stepper Motor/Modulator - NG 0.907.023
4	911-011	Stepper Motor/Modulator - LP 0.907.012
N/S	904-996	Burner Orifice #42 - NG (PO512)
N/S	904-947	Burner Orifice #53 - LP (PO512)
5	911-037	Flame Sensor 0.915.905
6	911-038	Flame Electrode 0.915.020
7	910-432	NovaSit Pilot Tubing With Nuts
8	911-039	Two Way Pilot Hood
9	911-137	Pilot Hood Clip
N/S	908-528	Label Propane Red
N/S	908-529	Label Natural Gas Yellow
N/S	904-529	Allen Key 5/32 Long
N/S	904-165	Fitting 3/8 Male Flarex Mpt Strt Adaptor
N/S	905-038	Bracket Dormont Orifice Mnt 10-BZ001-9
N/S	656-039	Gasket Orifice Mount CB/CV40E
N/S	905-037	Gas Line SS Steel 3/8" ODX 12 inch
N/S	911-173	Wire Harness IFC No CPI Switch 584.924
N/S	911-177	Wire 4 Pos IFC Fan & Light
N/S	911-181	Wire Harness Battery Box Proflame II
N/S	911-193	Connector W/Jumper
N/S	911-266/P	IFC Board SIT ProFlame II 0.584.625
N/S	911-210	External Antenna
N/S	911-292	Remote Control GTMFLSA SIT 0.584.040
N/S	911-333	Power Harness With Aux Connector
10	911-295	Light Assembly Top(Housing/Wires Assy/Bulb Socket/Light Bulb)
11	911-296	Light Assembly Bottom (Housing/Wires Assy/ Bulb Socket/Light Bulb)
N/S	910-429	Receptacle Box Duplex Metal
12	761-053F	Electrical Box Mounting Plate
N/S	910-369	Receptacle Box Low Volt. SC100A
N/S	911-335	Cover Wall Mount White 0.584.813
N/S	911-343	Cover Wall Mount Black 0.584.812
N/S	910-428	Receptacle Duplex White
N/S	910-430	Receptacle Cover Duplex Metal
N/S	904-687	Connector Clamp 3/8 CI-804
N/S	911-337/P	Remote Receiver/Battery Holder 584.103
N/S	918-835	Decal Logo Regency / Flame Sit Remote

N/S	918-876	Decal Remote Quick Reference GTMF
N/S	948-099	Spring Compression 3 inch Long Zinc Plated LC 085J 10 M
N/S	396-179	Gasket Bulk Hd (Side Firebox Pilot Line)
N/S	396-178F	Plate Bulk Head Clamp
13	761-535	Burner Assembly NG/LP c/w Cap G800
14	761-040	Door Frame Only
15	940-506/P	Replacement Glass (Includes Gasket) (Size : 27 1/2" H x 31 7/8" W)
16	761-038/P	Mesh Glass Guard
N/S	846-695	1 1/2" Alum F.Core Tadpole Glass Gasket Tape (11') (936-157)
N/S	846-696	Gasket Tape 2" Wide Graphite (8') (936-220)
N/S	904-691	Clip-U
N/S	366-049	Neoceramic Glass (Lights) Size : 1 5/8" x 1 1/4")
N/S	761-505	Bottom Door Latch Assembly (Each)
N/S	761-506	Top Door Latch Assembly (Each)
N/S	761-121	Grate Assembly
N/S	761-514	Log Support Brackets (Set of 2)
N/S	946-782	Fireglass Ginger 3/4" in. 5Lb Pkg
N/S	902-059	Vermiculite 1/2 Cup Black Sea
N/S	902-060	Ember Black/White 10 Pcs
N/S	761-073F	Plate Log Support Left G800
N/S	761-074F	Plate Log Support Right G800
N/S	761-054	IFC Housing Base
N/S	761-055	IFC Housing Top
N/S	761-056	IFC Housing End Piece
N/S	761-022	IFC Mounting Bracket
N/S	761-010	Cool Wall Metal Insert
N/S	761-011	Cool Wall Metal Cover/Deflector
N/S	761-013	Top Inner Baffle
N/S	761-023	Exhaust Cover Plate
N/S	761-024F	Air Intake Cover
N/S	761-025	Air Chamber Insulation Blanket
N/S	761-028	Cool Wall Top Front Insulation
N/S	761-048F	Fan Access Tray/Cover
N/S	761-049	Brick/Enamel Panel Clip (Each)
N/S	761-051	Light Cover Tray Bottom
N/S	761-052F	Plate Bottom Light Cover Back Piece
N/S	761-058	Light Casing Top
N/S	761-059	Top Light Glass Retainer
N/S	761-060F	Restrictor Plate

	Part	Description
17	761-103	Exhaust Flue Collar
18	761-104	Intake Flue Collar
19	761-105	Gasket Exhaust
20	761-106	Gasket Intake
N/S	761-107	Gasket Exhaust Cover Plate
N/S	761-108	Gasket Intake Cover Plate
21	761-109	Gasket Valve Tray
22	761-026	Outerbox Collar Perimeter Trim
24	761-061	Nailing Standoff Flange L/H
25	761-062	Nailing Standoff Flange R/H
26	761-063	Deflector Header
26A	761-064	Nailing Flange Top
27	761-050	Front Cover Access Panel
28	911-297	Hallogen Bulb G9/120V/18W (Bottom Bulb)
29	911-072	Hallogen Bulb G9/120V/25W (Top Bulb)
N/S	761-110	Gasket Fan Access Tray
N/S	761-122	Gasket Light Wire
N/S	761-123	Board Calcium Silicate 36"X 11-1/2"
N/S	761-129	Gasket Top Light G800
N/S	761-088	Insulation Rear Enamel/Steel Panel
N/S	911-290/P	Fan motor Only
N/S	911-182	Fuse 3.15A 250V 5mm x 20mm Littelfuse

Optional Accessories

	Part	Description
N/S	761-901	Brick Panel Standard Brown
N/S	761-903	Brick Panel Herringbone Brown
N/S	761-904	Brick Panel Castle Stone Grey
N/S	761-905	Brick Panel Standard Volcanic Black
N/S	761-907	Inner Panel Black
N/S	761-908	Inner Panel Black Enamel
N/S	761-917	Fan Kit
N/S	761-922	Faceplate Vignette Brush Nickel
N/S	761-924	Faceplate Vignette Metallic Black
N/S	761-928	Trim Finishing Black 3-Sided
N/S	761-929	Trim Finishing Clean Front Black 3-Sided
N/S	761-930	Log Set G800 Grandview Oak Packaged
N/S	761-938	Log Grate & Ember Package
N/S	761-941	Chase Vent White
N/S	761-969	Conversion - LP
N/S	946-556	Heat Wave Duct Kit