

Part number list on following pages.

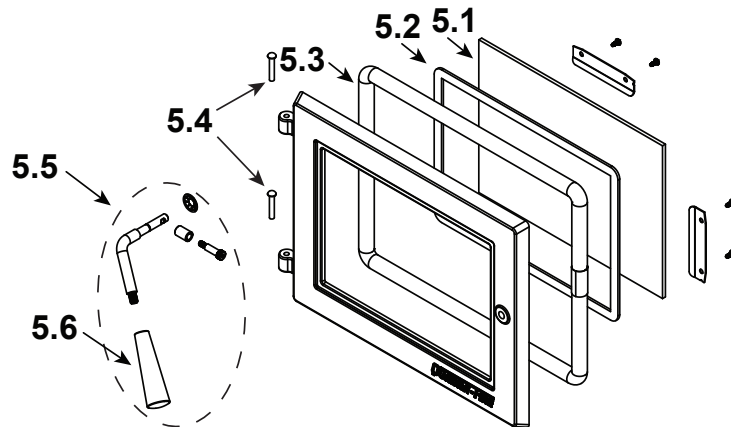
IMPORTANT: THIS IS DATED INFORMATION. When requesting service or replacement parts for your appliance please provide model number and serial number. All parts listed in this manual must be ordered from a dealer.



Stocked at Depot

ITEM	DESCRIPTION	COMMENTS	PART NUMBER	Stocked at Depot
1	Hopper Lid Assembly		SRV8106-019	
	Handle, Hopper Lid		SRV200-0110	
2	Side Curtain, Left Hand		SRV7083-154	Y
3	Snap disc, Manual Reset		SRV230-0080	Y
4	Exhaust Combustion Blower		812-4400	Y
	Gasket, Between Blower Housing and Stove		SRV240-0812	Y
	Gasket, Between Blower Housing and Motor		812-4710	Y

### #5 Door Assembly



5	Door Assembly		SRV8105-021	Y
5.1	Glass Assembly		SRV8105-173	
5.2	Tape, 1/2 x 1/16, 10 FT		240-0290/10	Y
5.3	Rope, Door, 3/4" x 84"		832-1680	Y
5.4	Hinge Pins	Pkg of 2	433-1590/2	
5.5	Threaded Handle Assembly Kit		SRV7093-024D	Y
5.6	Handle Black Phenolic Kit		KS-5140-1442	Y
6	Baffle Kit		SRV7079-006	
7	Ashpans	Pkg of 2	SRV8106-034	
8	Firepot		SRV7077-003	Y
9	Igniter Chamber Kit		SRV7077-110	
10	Igniter Kit		SRV7000-660	Y
11	Convection Blower		SRV7000-659	Y
	Bearing Assembly		SRV7000-820	
12	Control Board**		SRV8106-051	Y
	Thermostat Wire Harness		SRV7080-152	
13	Vacuum Switch		SRV7000-531	Y
	Vacuum Hose, 5/32 ID	3 Ft	SRV240-0450	Y
	Hose, Barb Assembly		SRV229-0920	
14	Side Curtain, Right Hand		SRV7083-153	Y

\*\*Fuse for the control board can be sourced locally, not a warranty item. Specs are 250V, 5A fuse, 20mm long x 5mm dia.

See Following page for additional service parts

