

Install the Ceramic Catalyst

1. Locate the access cover positioned at the rear center of the unit, Figure 1.
2. Remove the access cover by pulling straight up and out, Figure 2.
3. Install the catalyst by gently placing it into the cavity and straight down, Figure 3. Place the catalyst where the catalyst's ceramic components will not be damaged.

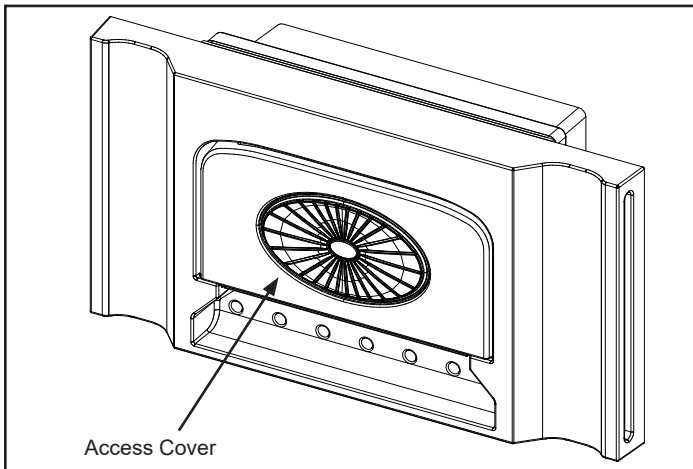


Figure 1 - Locate access cover.

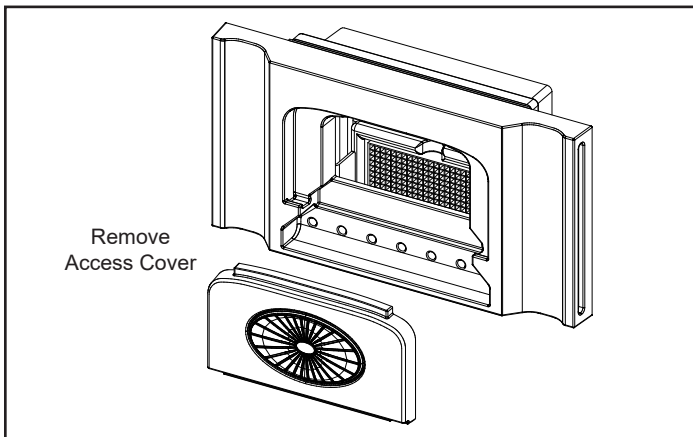


Figure 2 - Remove access cover.

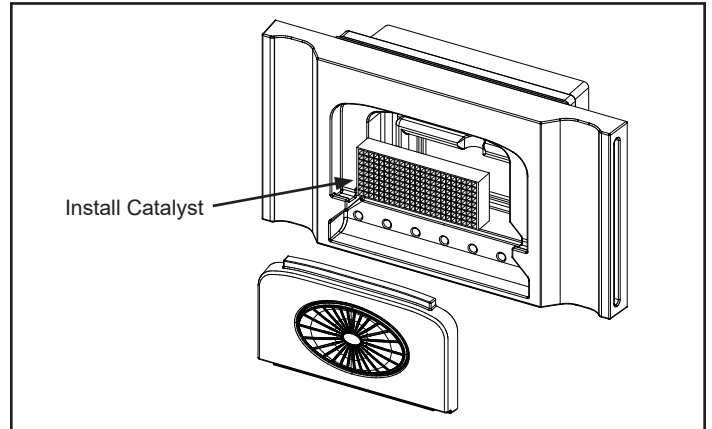


Figure 3 - Install catalyst.