

IMPORTANT: THIS IS DATED INFORMATION. Parts must be ordered from a dealer or distributor. **Hearth and Home Technologies does not sell directly to consumers.** Provide model number and serial number when requesting service parts from your dealer or distributor.



Stocked
at Depot

ITEM	Description	COMMENTS	PART NUMBER	
1	Mounting Frame Assembly		1-10-584031A	
	Roller hardware	4 sets	1-00-02243	Y
2	All Thread .500-13 x 12, Frame Jacking	Qty 2 req	3-31-00949	
	Jack Plate	Qty 2 req	1-10-574099W	
3	Pipe Stub for 4 in. Flex/PL w/gasket		1-00-574034	Y
4	Pipe Stub Plate Gasket		3-44-574045	Y
5	Docking Gasket Silicone		3-44-06108	Y
6	Thermister Probe (ESP Probe)		3-20-00844	Y
7	Gasket, Hopper Top	20 ft	1-00-375501	Y
	Gasket, Hopper Throat		3-44-677185	Y
8	Control Board		1-00-05372	Y
9	Control Board Mounting Plate		1-10-584012A	
10	Differential Switch		SRV8320-003	Y
	Silicone Tubing, 1/8"	5 Ft	1-00-5113574	Y
11	Hinge Set (4 pc), Side Panel	2 Sets	SRV8742-7890	
12	Surround, Standard		1-00-742667-1	
	Surround Hardware Pack		SRV8000-042	
13	Side Panel	Left	SRV8742-103L	
14	Line Filter Mounting Bracket		1-00-584034	
	Line Filter		3-20-803744	Y
15	Combustion Cover Latch Assembly		1-00-574080	
16	Medallion Holder		1-10-574098W	Y
17	Cast Center Medallion		3-00-584027	Y
18	Burn Pot Weldment		See following page	
19	Ash Pan		1-10-574007A	Y
20	Cast Top / Hopper Lid Assembly		See following page	
21	Door Assembly		See following page	
22	Cast Bottom Ashlip		SRV8742-018	
	Door Magnet and Hardware (1 set)	Qty 4 req	SRV8787-020	
23	Combustion Cover		1-10-574087A	
24	Hinge Plate	Qty 2 req	3-00-674047	
25	Side Panel	Right	SRV8742-103R	
26	Spring Latches with hardware	Set of 2	1-00-00927	Y
27	Fan Blade	Commonly required for Combustion Blower replacement	1-10-574500A	Y
	Blower Mounting Screws (5 Sets)		1-00-832150	
28	Combustion Blower		1-00-02275	Y

Additional service parts on following page.

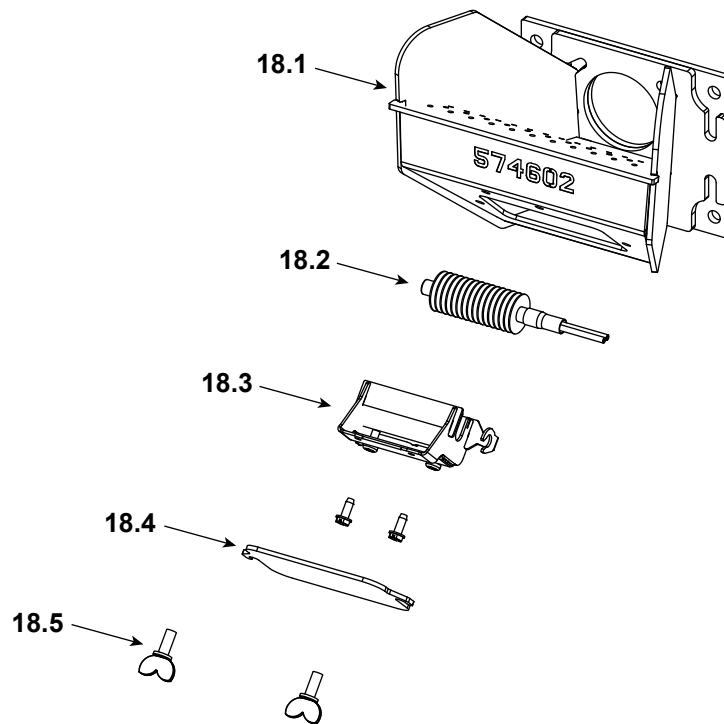
IMPORTANT: THIS IS DATED INFORMATION. Parts must be ordered from a dealer or distributor. **Hearth and Home Technologies does not sell directly to consumers.** Provide model number and serial number when requesting service parts from your dealer or distributor.



Stocked at Depot

ITEM	Description	COMMENTS	PART NUMBER	
29	Feeder Assembly		See following page	
30	Distribution Blower		3-21-33647	Y

#18 Burn Pot Weldment



18.1	Burn Pot Weldment w/Cradle		1-00-574605	Y
18.2	Igniter Element		3-20-677200	Y
		Pkg of 10	1-00-677200	Y
18.3	Igniter Cradle		1-00-777907	Y
18.4	Burn Pot Cleanout Cover w/Wing Screws	2 sets	1-00-06623	Y
18.5	Thumb Screw, 1/4-20 x 5/8	Pkg of 10	3-31-782108-10	Y
	Gasket, Burn Pot		3-44-237639	Y
	Flame Guide		3-00-03000	Y

Additional service parts on following page.

IMPORTANT: THIS IS DATED INFORMATION. Parts must be ordered from a dealer or distributor. **Hearth and Home Technologies does not sell directly to consumers.** Provide model number and serial number when requesting service parts from your dealer or distributor.



Stocked
at Depot

ITEM	Description	COMMENTS	PART NUMBER	
#20 Hopper Lid Assembly				
20.1	Touch Control		1-00-777552	Y
	Touch Control Screws	Pkg of 30	SRV8787-011	
	Cable Cover Gasket		3-44-777549	
20.2	Screw Post Kit	Set of 20	1-00-129004	Y
20.3	Hopper Lid Knob w/Screw	Black	1-00-02000-1	
20.4	Touch Control Hopper Lid Glass		3-40-574365	Y
20.5	Hopper Lid Latch		1-00-0669697	Y
20.6	Cast Top		SRV8742-100	
20.7	Hopper Lid Hinge w/Hardware		1-00-584003	Y
	Gasket, 3/8 x 1/2	20 Ft	1-00-375501	Y
	Ball Plunger Retainer	6 Sets	1-00-5500	Y
	Hinge Pin Plate w/Hardware	1 Set	1-00-777560	
	Dowel Pin, 1/4 x 3/4	Pkg of 15	3-30-2015-15	
	Hopper Lid Latch Release Kit w/Hardware		1-00-584345	Y

Additional service parts on following page.

IMPORTANT: THIS IS DATED INFORMATION. Parts must be ordered from a dealer or distributor. **Hearth and Home Technologies does not sell directly to consumers.** Provide model number and serial number when requesting service parts from your dealer or distributor.



Stocked
at Depot

ITEM	Description	COMMENTS	PART NUMBER	
#21 Load Door Assembly				
21.1	Wooden Handle w/Bolt	Pkg of 2	1-00-00247	
21.2	Door Latch, Painted		3-00-249119P	Y
	Door Latch Roller Hardware		1-00-05230	Y
21.3	Door Assembly		SRV8742-101	Y
21.4	Gasket, 1/2 Round Graphite	20 Ft	1-00-1086415	Y
21.5	Latch Retainer		2-00-674098S	
21.6	Glass Clips	Pkg of 4	1-00-249140	Y
21.7	Gasket, 3/16 Round w/PSA	10 FT	1-00-1186258229	Y
21.8	Glass w/Gasket		1-00-677000	Y

Additional service parts on following page.

IMPORTANT: THIS IS DATED INFORMATION. Parts must be ordered from a dealer or distributor. **Hearth and Home Technologies does not sell directly to consumers.** Provide model number and serial number when requesting service parts from your dealer or distributor.



Stocked at Depot

ITEM	Description	COMMENTS	PART NUMBER	
#29 Feeder Assembly				
29.1	Ultra Feeder Weldment		1-10-680021W	Y
29.2	Slide Plate Assembly		1-10-677121A	Y
29.3	Pusher Arm Pillow Block	Pkg of 4	3-31-3614087-4	Y
29.4	Gasket, UL Feeder Cover		1-00-677122	Y
29.5	5/16-18 wing screw	Pkg of 25	3-30-8012-25	
29.6	UL Feeder Pusher Arm		1-10-677187W	Y
29.7	UL Feeder Auger Assembly		3-50-00565	Y
29.8	Cam Block Assembly		1-10-777950A	Y
	Cam Bearing		3-31-3014	Y
29.9	Motor Mount w/Hardware		1-00-584035	Y
29.10	Pellet Feeder Gear Motor, 4 RPM		3-20-60906	Y
29.11	Bearing Flange w/Hardware		1-00-04035	Y
29.12	Feeder Air Crossover Kit		1-00-67900	Y
	9MM Silicone Tube	5 Ft	1-00-511427	Y
29.13	Gasket Ultra Air Intake	Pkg of 10	3-44-677160-10	Y
29.14	Pellet Air Intake Assembly		1-10-06810A	
29.15	Gasket Feeder Air Intake	Pkg of 6	3-44-72224-6	Y
	Silicone Cap	Pkg of 10	3-99-123/10	

Additional service parts on following page.

