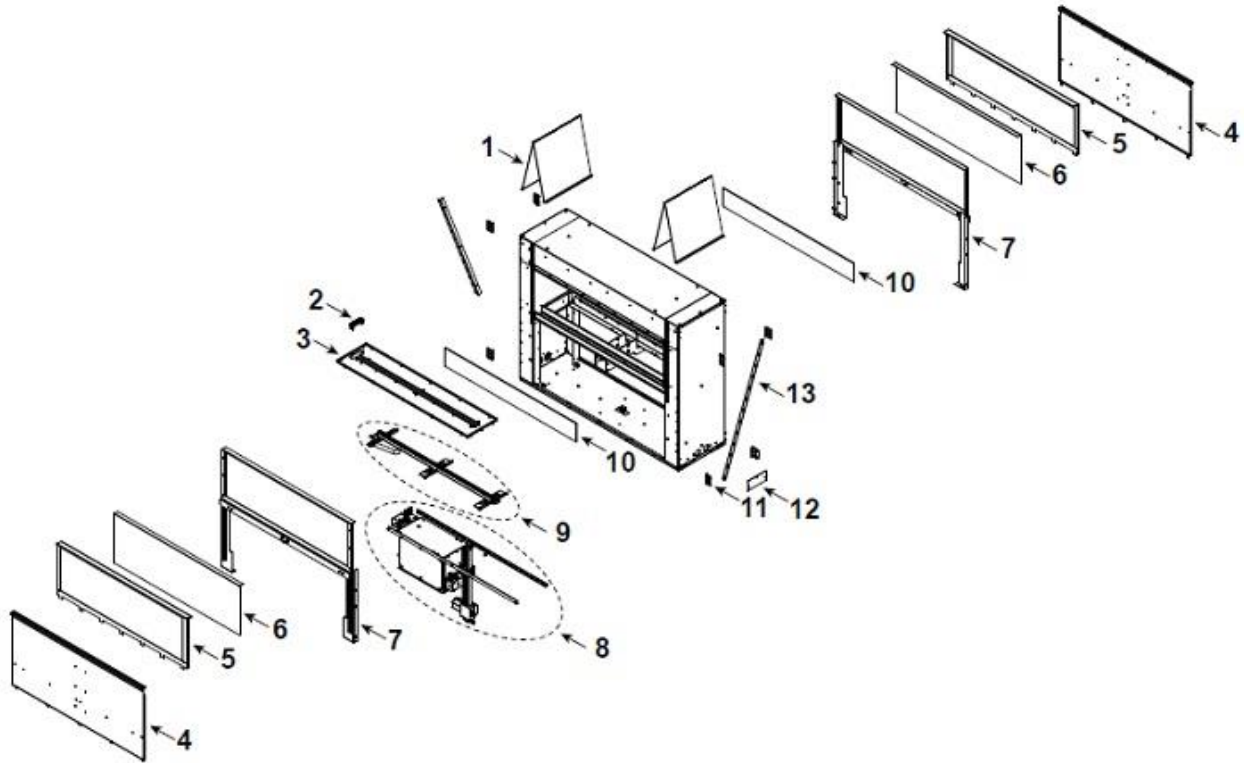
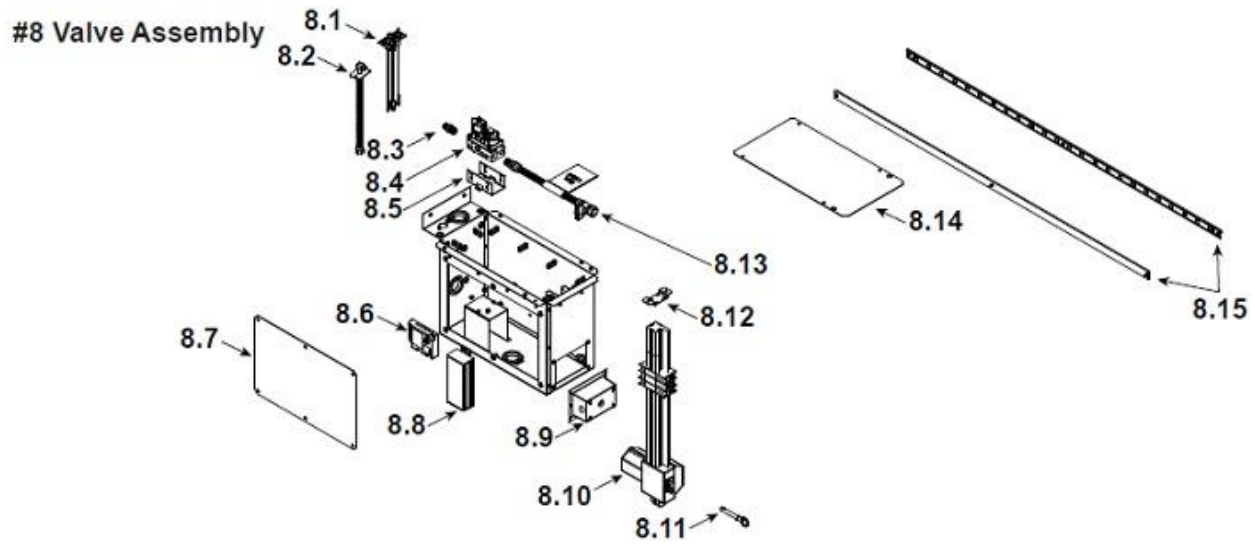


Quadra-Fire Palazzo See-Through Gas Fireplace



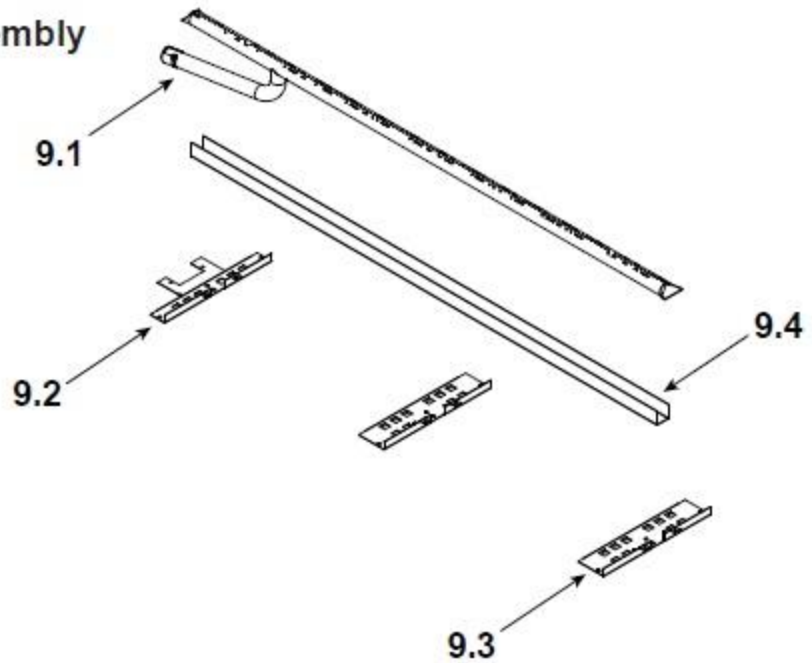
| ITEM | DESCRIPTION | COMMENTS | PART NUMBER |
|------|------------------------|-----------|----------------------------|
| 1 | Top Standoff | Qty 2 req | SRV4082-195 |
| 2 | Shield, Pilot | | SRV4082-174 |
| 3 | Hearth Pan Assembly | | SRV4082-019 |
| 4 | Lower Face Assembly | Qty 2 req | SRV4082-025 |
| 5 | Screen Front | Qty 2 req | SRV4082-240 |
| 6 | Screen | Qty 2 req | SRV4082-241 |
| 7 | Support Frame Assembly | Qty 2 req | SRV4082-040 |
| 8 | Valve Assembly | | See Following Pages |
| 9 | Burner Assembly | | See Following Pages |
| 10 | Glass Panel | Qty 2 req | SRV4082-300 |
| 11 | Nailing Flange | Qty 8 req | 31190 |
| 12 | Cover Plate | | SRV4082-208 |
| 13 | Side Standoff | Qty 2 req | SRV4082-132 |

Woodman's Parts Plus
www.woodmanspartsplus.com



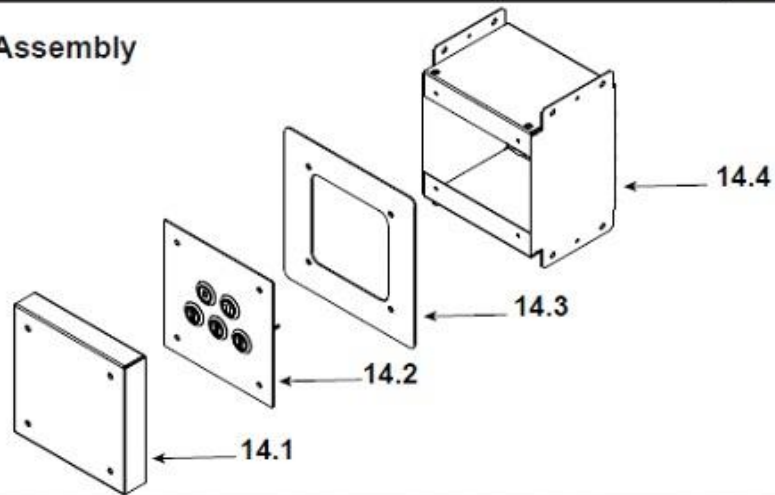
| ITEM | DESCRIPTION | COMMENTS | PART NUMBER |
|------|------------------------|-----------|-------------|
| 8.1 | Pilot Assembly, NG | | 2090-012 |
| | Pilot Assembly, LP | | 2090-013 |
| 8.2 | Bulkhead, Flexible | | 4021-428 |
| 8.3 | Male Connector | | 303-315 |
| 8.4 | Valve, Fixed NG | | 593-500 |
| | Valve, Fixed LP | | 593-501 |
| 8.5 | Valve Bracket Upper | | SRV4082-210 |
| 8.6 | Control Module | | 593-592 |
| 8.7 | Front Panel | | SRV4082-207 |
| 8.8 | 5A Power Supply | | SRV4082-315 |
| 8.9 | Junction Box Assembly | | SRV4082-023 |
| 8.10 | Linear Actuator | | SRV4082-320 |
| 8.11 | Quick Release Pin | | SRV4082-336 |
| 8.12 | Actuator Bracket | | SRV4082-177 |
| 8.13 | 12" Flex Ball Assembly | | 302-320A |
| 8.14 | Valve Box Top | | SRV4082-206 |
| 8.15 | LED Light Bar | Qty 2 req | SRV4082-346 |
| | 3V Transformer | | 593-593A |
| | Wire Assembly | | 593-590A |
| | LED Wire Assembly | | 2155-752 |
| | Wire Harness | | SRV4082-365 |
| | Orifice, .125C, NG | | 4021-391 |
| | Orifice, #48, LP | | 582-848 |

#9 Burner Tube Assembly



| ITEM | DESCRIPTION | COMMENTS | PART NUMBER |
|------|------------------------|-----------|-------------|
| 9.1 | Burner Tube | | SRV4082-322 |
| 9.2 | Pilot / Burner Bracket | | SRV4082-169 |
| 9.3 | Burner Bracket | Qty 2 req | SRV4082-170 |
| 9.4 | Burner Shield | | SRV4082-211 |

#14 Switch Box Assembly



| | | | |
|------|-----------------------|--|----------------|
| 14 | Switch Box Assembly | | SRV4082-041 |
| 14.1 | Rock Template | | SRV4082-377 |
| 14.2 | Switch Panel Assembly | | SRV4082-367 |
| 14.3 | Trim Ring | | SRV4082-378 |
| 14.4 | Switch Box | | SRV4082-043 |
| | Media Kit, Crystal | | MEDIA-CLEAR-48 |
| | Conversion Kit | | LPK-ODPALG-48 |