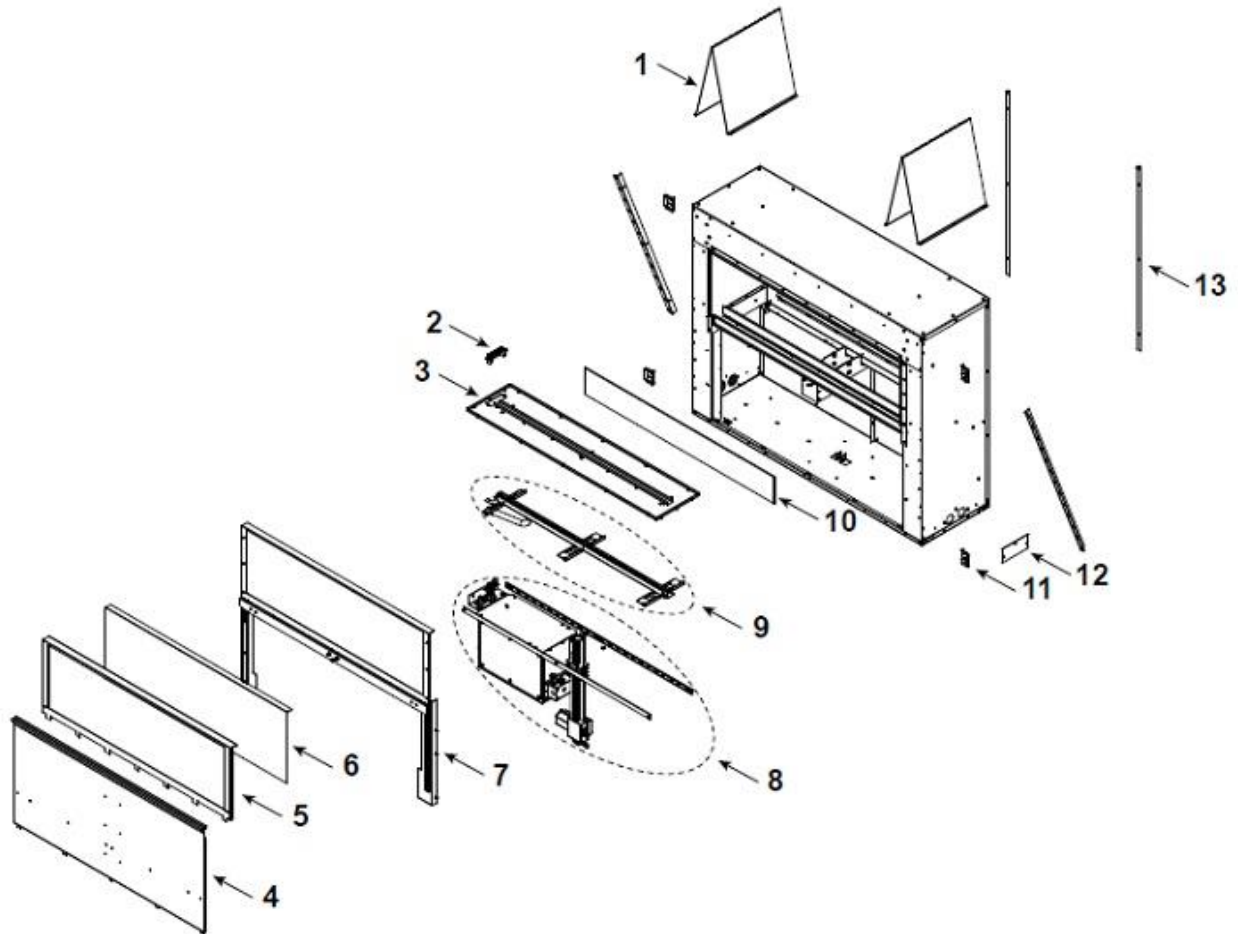
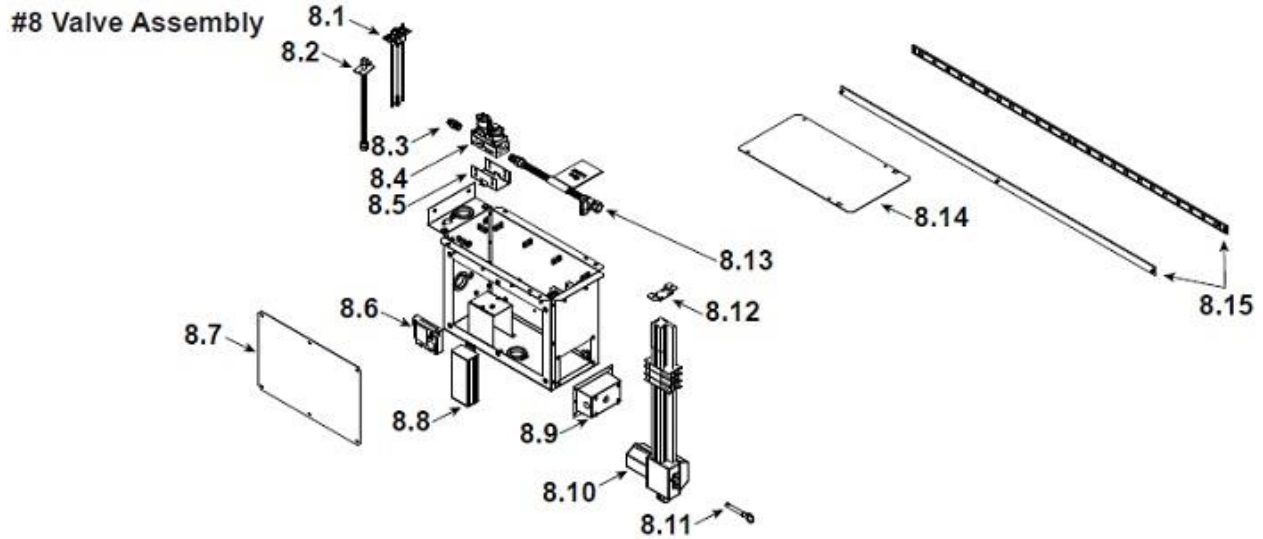


Quadra-Fire Palazzo Gas Fireplace



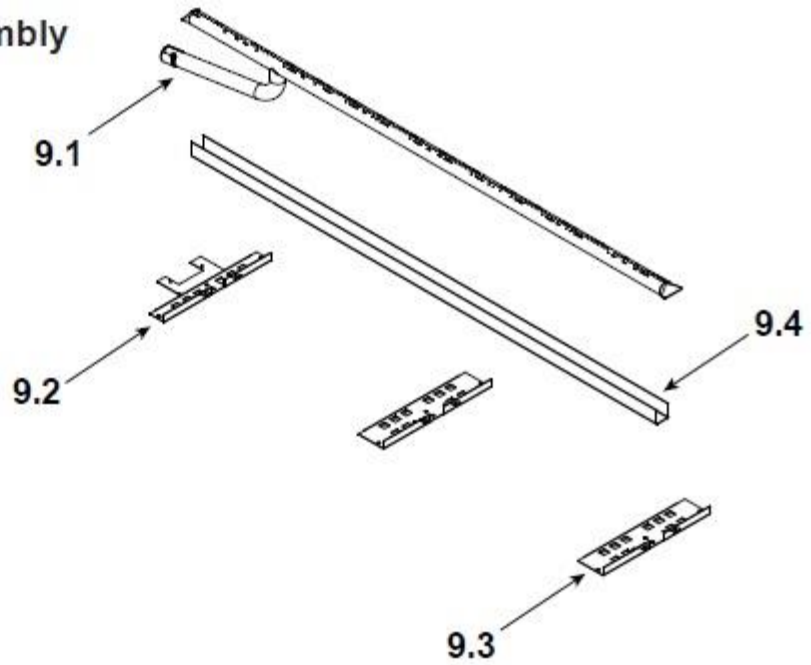
ITEM	DESCRIPTION	COMMENTS	PART NUMBER
1	Top Standoff	Qty 2 req	SRV4082-195
2	Shield, Pilot		SRV4082-174
3	Hearth Pan Assembly		SRV4082-019
4	Lower Face Assembly		SRV4082-025
5	Screen Front		SRV4082-240
6	Screen		SRV4082-241
7	Support Frame Assembly		SRV4082-040
8	Valve Assembly		See Following Pages
9	Burner Assembly		See Following Pages
10	Glass Panel		SRV4082-300
11	Nailing Flange	Qty 4 req	31190
12	Cover Plate		SRV4082-208
13	Side Standoff	Qty 4 req	SRV4082-132

Woodman's Parts Plus  
[www.woodmanspartsplus.com](http://www.woodmanspartsplus.com)



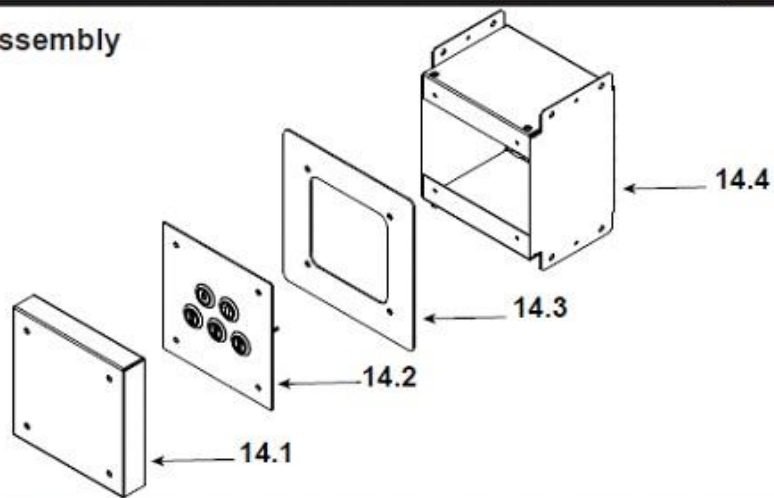
ITEM	DESCRIPTION	COMMENTS	PART NUMBER
8.1	Pilot Assembly, NG		2090-012
	Pilot Assembly, LP		2090-013
8.2	Bulkhead, Flexible		4021-428
8.3	Male Connector		303-315
8.4	Valve, Fixed NG		593-500
	Valve, Fixed LP		593-501
8.5	Valve Bracket Upper		SRV4082-210
8.6	Control Module		593-592
8.7	Front Panel		SRV4082-207
8.8	5A Power Supply		SRV4082-315
8.9	Junction Box Assembly		SRV4082-023
8.10	Linear Actuator		SRV4082-320
8.11	Quick Release Pin		SRV4082-336
8.12	Actuator Bracket		SRV4082-177
8.13	12" Flex Ball Assembly		302-320A
8.14	Valve Box Top		SRV4082-206
8.15	LED Light Bar	Qty 2 req	SRV4082-346
	3V Transformer		593-593A
	Wire Assembly		593-590A
	LED Wire Assembly		2155-752
	Wire Harness		SRV4082-365
	Orifice, .125C, NG		4021-391
	Orifice, #48, LP		582-848

### #9 Burner Tube Assembly



ITEM	DESCRIPTION	COMMENTS	PART NUMBER
9.1	Burner Tube		SRV4082-322
9.2	Pilot / Burner Bracket		SRV4082-169
9.3	Burner Bracket	Qty 2 req	SRV4082-170
9.4	Burner Shield		SRV4082-211

### #14 Switch Box Assembly



14	Switch Box Assembly		SRV4082-041
14.1	Rock Template		SRV4082-377
14.2	Switch Panel Assembly		SRV4082-367
14.3	Trim Ring		SRV4082-378
14.4	Switch Box		SRV4082-043
	Media Kit, Crystal		MEDIA-CLEAR-48
	Conversion Kit		LPK-ODPALG-48