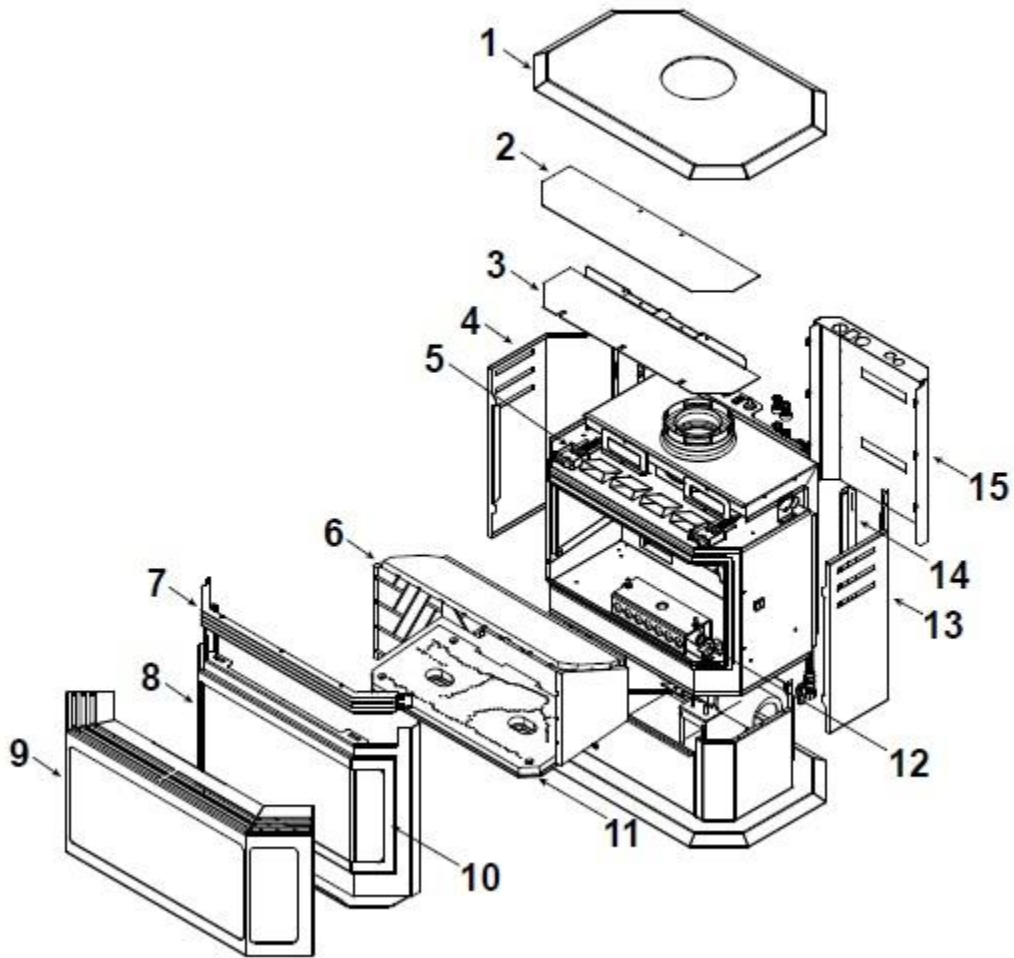
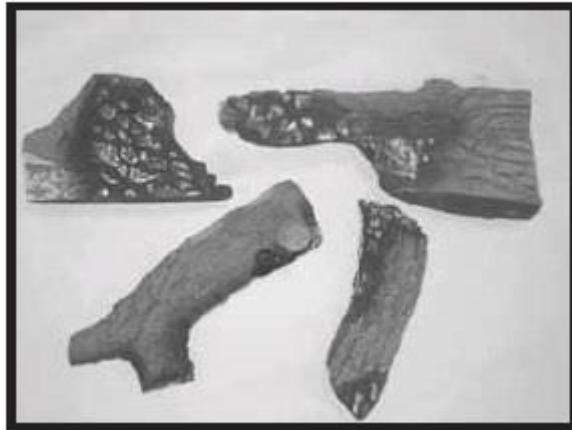


Quadra-Fire Hudson Bay

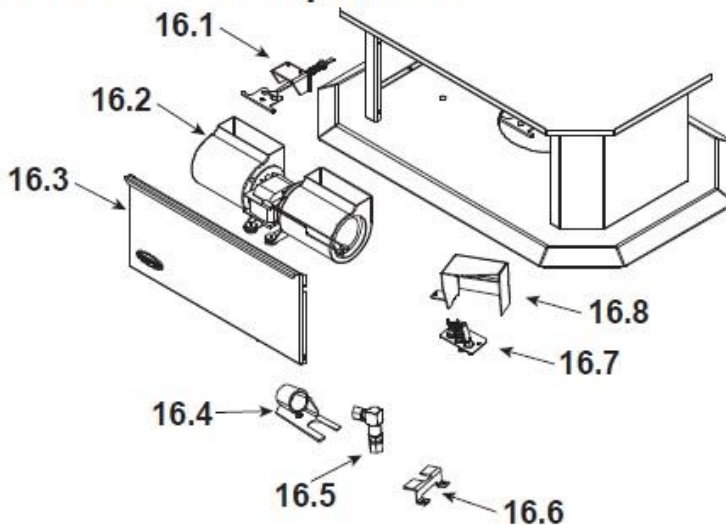
Log Set Assembly



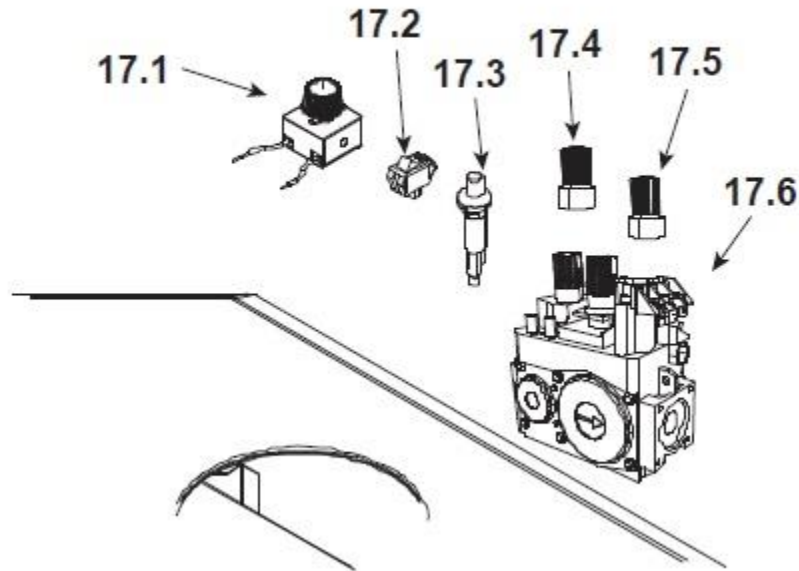
ITEM	DESCRIPTION	COMMENTS	PART NUMBER
	Log Set Assembly		7008-012
1	Top Assembly	Pre SN 0021621084	SRV7003-010
		Post SN 0021621084	7003-010
2	Shield, Top		7003-154
3	Shield, Lower		7003-153
4	Outer Skin, Left	Pre SN 0021621084	SRV7003-117
		Post SN 0021621084	7003-131
5	Latch Assembly (Stationary)	Qty 2 req	7003-006
6	Refractory Assembly		7008-002
7	Grill Bar Assembly BLACK	Pre SN 0021621084	SRV7008-010
		Post SN 0021621084	7008-010
	Grill Bar Assembly	Gold	LVGRL-GD
		Nickel	LVGRL-NL
8	Door Assembly	Pre SN 0021621084	DOOR-HUDBAY
		Post SN 0021621084	DOOR-HUDBAY-B
	Gasket, Tadpole,	10 FT	842-5130
	Glass Tape		832-0460
9	Front, Mesh		7002-020
10	Door Crown , BLACK	Pre SN 0021621084	SRV462-0150
		Post SN 0021621084	462-0150
	Door Crown	Gold	DC-BAY-GD
		Nickel	DC-BAY-NL

ITEM	DESCRIPTION	COMMENTS	PART NUMBER
11	Burner Assembly		SRV7008-004
12	Burner Neck Support Assembly		7008-005
13	Outer Skin, Right		7003-117
14	Side Curtain Mount		479-0110
15	Valve Cover	Pre SN 0021621084	SRV7003-119
		Post SN 0021621084	7003-119

#16 Pedestal Components



#17 Valve Components



16.1	Latch Assembly (Qty 2 reg)		7003-005
16.2	Blower		812-4900
	Blower Plate		457-0560
	Blower Bracket		474-0210
16.3	Pedestal Door	Pre SN 0021621084	SRV7003-107
		Post SN 0021621084	7003-107
16.4	Air Shutter Assembly		468-5060
16.5	Bulkhead		26457
16.6	Bulkhead Stop		474-0090
16.7	Pilot Assembly		842-4940
16.8	Pilot Shield		PS-7008
17.1	Speed Control		842-0370
		Knob	200-2041
17.2	On/Off Rocker Switch		230-0730
17.3	Piezo Ignitor		291-513
17.4	Knob On/Off		571-534
17.5	Knob Hi/Lo		571-533
17.6	Valve NG		842-0240
	Valve LP		842-0230
	Valve Bracket		7003-118

Woodman's Parts Plus
www.woodmanspartsplus.com

ITEM	DESCRIPTION	COMMENTS	PART NUMBER
	Adaptor	Inner 4"	200-2470
	Adaptor	6 5/8"	7010-172
	Brick Retainer		479-0190
	Electrode	EZ Flush 42	842-4580
	Fan Deflector		468-0190
	Flex Line	3/8 comp x 30 "	200-2940A
	Flex Line		3-40-2098034
	Mineral Wool		050-721
	Orifice LP (.076) Port		29388
	Orifice NG (.125)		24691
	Power Cord		832-2410
	Snap Disc		SRV230-0960
	Wire Harness		474-0350
	Component Pack		7003-007
	Contains: Mineral Wool; On/off Flex Assembly, Pilot Injector, EZ,35;, Regulator LP, Orifice 0.76 port, Bumer neck		
	Thermocouple		200-2950
	Thermopile		842-0250
	Touch Up Paint	Pre 0021621084	812-0910
		Pre 0021200001	TUP-GBK-12
		Post 0081200001	3-42-19905
	Conversion Kit NG		N/A
	Conversion Kit LP		LPK-7008
	Pilot Orifice NG		842-4440
	Pilot Orifice LP		200-2630
	Regulator NG		230-1570
	Regulator LP		230-1520