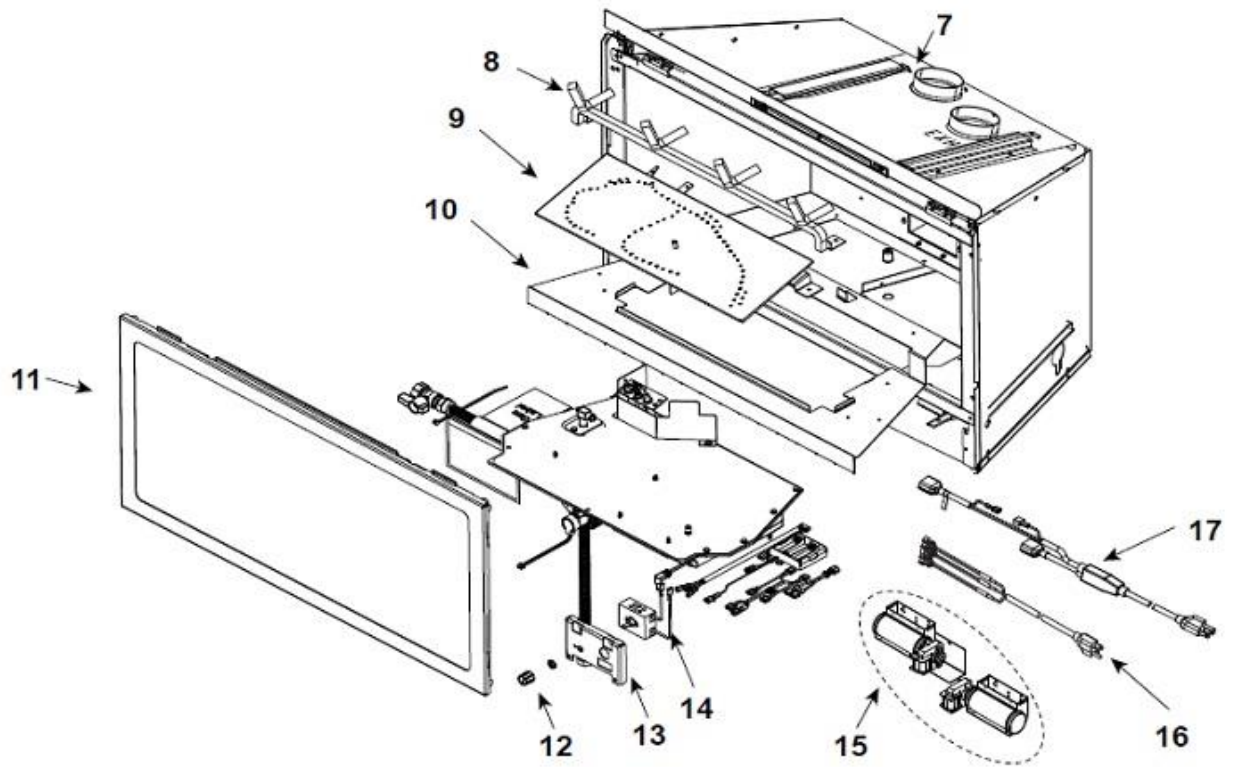
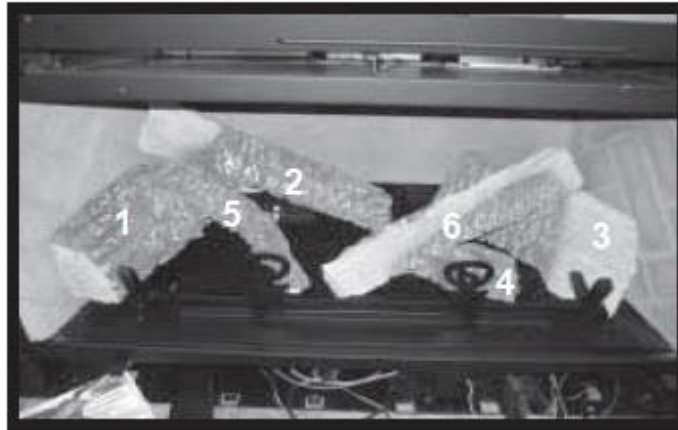


Quadra-Fire QFI30 Fireplace Insert

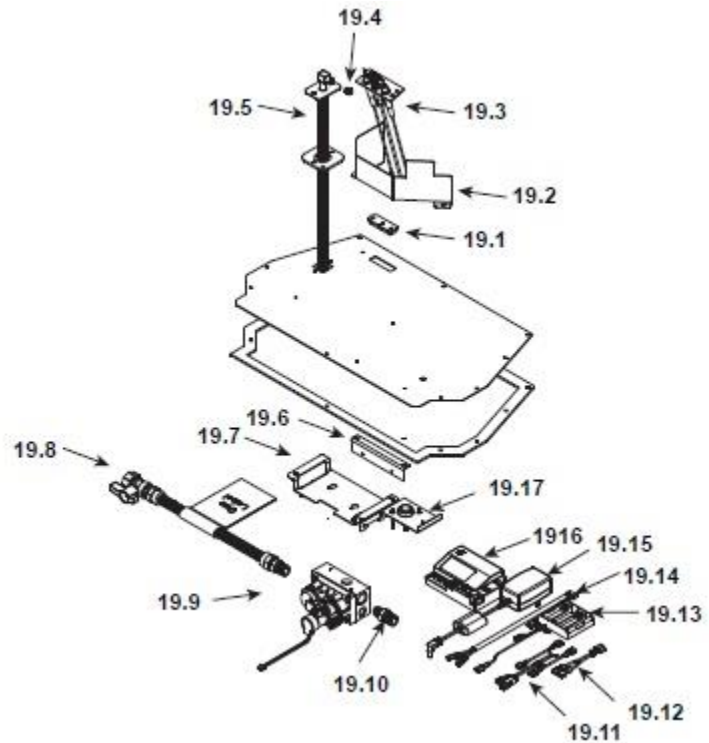
Log Set Assembly



Woodman's Parts Plus
www.woodmanspartsplus.com

ITEM	DESCRIPTION	COMMENTS	PART NUMBER
	Log Assembly		LOGS-QFI30
1	Log 1		SRV2227-703
2	Log 2		SRV2227-702
3	Log 3		SRV2227-701
4	Log 4		SRV2227-705
5	Log 5		SRV2227-706
6	Log 6		SRV2227-704
7	Termination Plate Assembly	Pre 0023696931	2206-012
		Post 0023696931	2206-013
	Flex Pipe Handle		438-351
	Gasket	Pre 0023696931	2206-401
		Post 0023696931	2206-178
8	Grate Assembly		2227-016
9	Burner Assembly		2227-009
10	Base Pan		2206-127
11	Glass Door Assembly		GLA-2206
12	Rheostat Knob		100-512
13	Control Panel		2205-129
14	Rheostat		2206-800
15	Blower		GFK-210-C
16	Wire Assembly		2206-068
17	Cord Assembly		2201-017
	Fuse Wire Assembly	Qty 2 req	2206-085

#19 Valve Assembly



ITEM	DESCRIPTION	COMMENTS	PART NUMBER
19.1	Grommet, 3 Hole		2118-420
19.2	Pilot Shield		2206-120
19.3	Pilot Assembly NG		2202-013
	Pilot Assembly LP		2202-014
19.4	Orifice NG (#35C)		582-835
	Orifice LP (#51C)		582-851
19.5	Flexible Gas Connector		530-302A
19.6	Control Panel Bracket		2205-128
19.7	Valve Bracket		2205-146
19.8	Flex Ball Valve Assembly		302-320A
19.9	Valve NG		2166-302
	Valve LP		2166-303
19.10	Brass Connector	Pkg of 5	303-315/5
19.11	Remote Jumper Wire		2103-013
19.12	Jumper Wire		2187-198
19.13	**Battery Pack		2166-323
19.14	Wire Harness		2166-304
19.15	Power Supply		2326-131
19.16	Module		2166-307
19.17	Temp Sensor Assembly		046-018A

Woodman's Parts Plus
www.woodmanspartsplus.com

ITEM	DESCRIPTION	COMMENTS	PART NUMBER
	Gasket Assembly		2206-081
	Includes Air Passage, Valve Plate, Exhaust Bottom, Exhaust Top, and Burner Neck Gaskets		
	Glass Clip Support Assembly, Bottom	Qty 2 req	2155-045
	Glass Latch Assembly, Top	Qty 2 req	339-121A
	Lava Rock		4021-296
	Mineral Wool		050-721
	Refractory Assembly	Sold as set only	BRICK-QI30
	Rheostat/Temp Sensor Assembly		SRV2206-800
	Touch Up Paint		TUP-GBK-12
	EMC Filter		2201-198
	Conversion Kit NG		NGK-I30-C
	Conversion Kit LP		LPK-I30-C
	Pilot Orifice NG		593-528
	Pilot Orifice LP		593-527
	Regulator NG		NGK-DXV-50
	Regulator LP		LPK-DXV-50