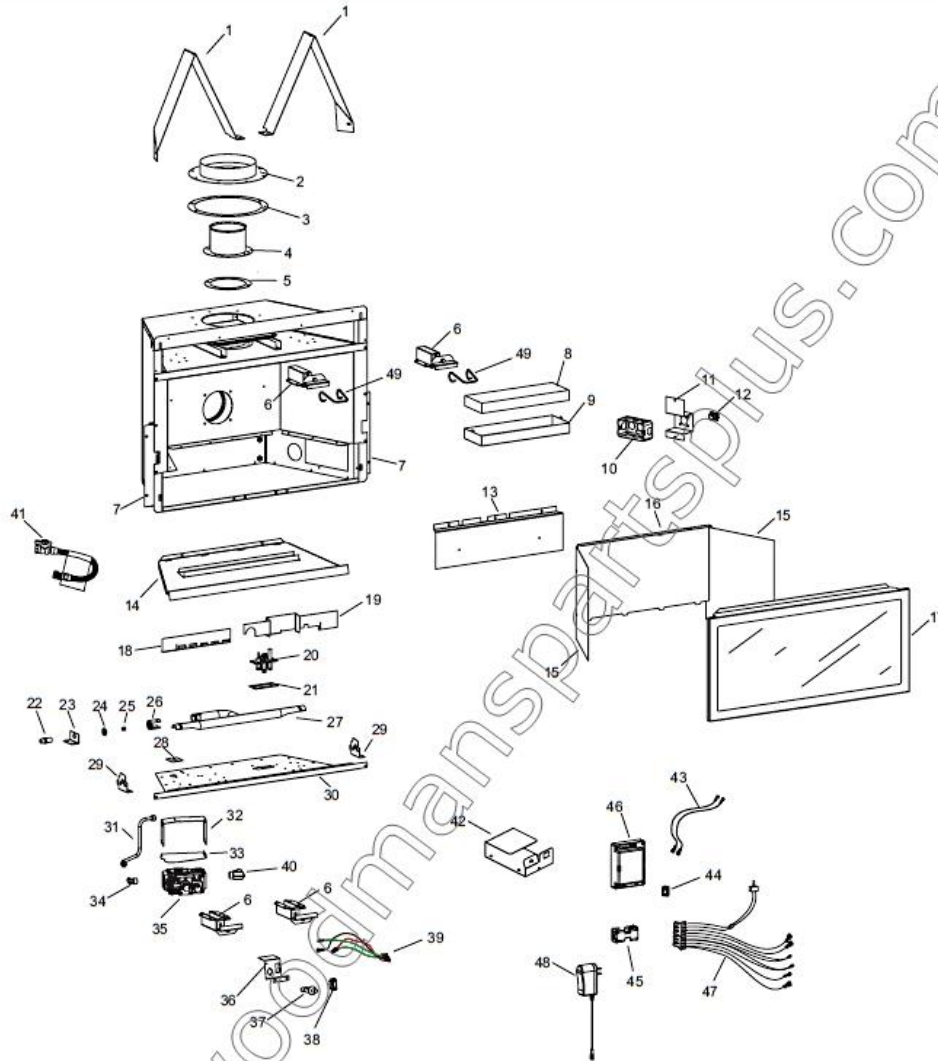


American Hearth Loft DVL25/33FP Part List

PARTS VIEW



PARTS LIST

INDEX NO.	PART NO.				DESCRIPTION
	DVL25FP32(N,P)	DVL33FP32(N,P)	DVL25FP72(N,P)	DVL33FP72(N,P)	
1	28076	28076	28076	28076	TOP STANDOFF
2	R7566	R7566	R7566	R7566	INLET VENT ADAPTOR
3	R7573	R7573	R7573	R7573	INLET VENT GASKET
4	17155	17155	17155	17155	FLUE OUTLET ASSEMBLY
5	M163	M163	M163	M163	GASKET, FLUE CONNECTOR
6	16223	27718	16223	27718	SPRING RETAINER ASSEMBLY
7	30577	30577	30577	30577	NAILING FLANGE
8	R10854	R10854	R10854	R10854	INSULATION, 1.250 X 4 X 12
9	28065	28065	28065	28065	PAN, INSULATION

PARTS LIST

INDEX NO.	PART NO.				DESCRIPTION
	DVL25FP32(N,P)	DVL33FP32(N,P)	DVL25FP72(N,P)	DVL33FP72(N,P)	
10	R3490	R3490	R3490	R3490	JUNCTION BOX
11	27730	27730	27730	27730	JUNCTION BOX MOUNTING BRACKET
12	R7571	R7571	R7571	R7571	3/8" ROMEX CONNECTOR
13	27666	27691	27666	27691	LOG SHELF
14	27726	28070	27726	28070	BURNER COVER, PORCELAIN
15	27668	27679	27668	27679	LINER SIDE, PORCELAIN
16	27670	27681	27670	27681	LINER REAR, PORCELAIN
17	27712	27713	27712	27713	GLASS DOOR FRAME ASSEMBLY
18	27731	27856	27731	27856	RESTRICTOR, BURNER - LEFT
19	27855	27857	27855	27857	RESTRICTOR, BURNER - RIGHT
20a	R10737	R10737	R10423	R10423	PILOT ASSEMBLY, NAT
20b	R10738	R10738	R10424	R10424	PILOT ASSEMBLY, LPG
21	M173	M173	M173	M173	GASKET, PILOT
22	P212	P212	P212	P212	FITTING, ORIFICE
23	27086	27086	27086	27086	BURNER END SUPPORT
24	R7575	R7575	R7575	R7575	JAMB NUT
25a	P288 (2.10mm)	P286 (#42)	P288 (2.10mm)	P286 (#42)	ORIFICE (NAT. GAS)
25b	P182 (# 55)	P208 (1.45mm)	P182 (# 55)	P208 (1.45mm)	ORIFICE (LP GAS)
26	R7624	R7624	R7624	R7624	AIR SHUTTER
27	R10732	R10879	R10732	R10879	TUBE BURNER
28	11269	11269	11269	11269	GAS LINE BRACKET
29	28067	28067	28067	28067	BURNER SUPPORT - RIGHT
30	27659	28066	30950	30951	BURNER BASE
31	28074	28075	30585	30587	TUBING ASSEMBLY, INLET
32	28063	28063	30589	30589	VALVE BRACKET
33	28064	28064	30588	30588	SHIELD, VALVE
34	R6207	R6207	R6207	R6207	ELBOW, 5/16 X 3/8 90 DEGREE
35a	R7577	R7577	R11125	R11125	VALVE, SIT GAS - NAT
35b	R7578	R7578	R11126	R11126	VALVE, SIT GAS - LP
36	22953	22953	-	-	PIEZO BRACKET
37	R9760	R9760	-	-	IGNITOR, PIEZO W/RED
38	R3436	R3436	-	-	SWITCH, REMOTE OFF/ON
39	R10947	R10947	-	-	WIRE ASSEMBLY
40	R10882	R10882	-	-	ELBOW, 90 DEGREE BRASS 3/8 NPT X 3/8 FLARE
41	R10961	R10961	R10961	R10961	FLEXLINE W/SHUTOFF VALVE
42	-	-	29382	29382	TRAY, MODULE
43	-	-	R2667	R2667	WIRE 5 1/2" BLACK (QTY. 2)
44	-	-	R2522	R2522	ON/OFF SWITCH
45	-	-	R11122	R11122	BATTERY HOLDER
46	-	-	R11127	R11127	DFC CONTROL BOARD
47	-	-	R11123	R11123	WIRE HARNESS
48	-	-	R11128	R11128	AC ADAPTOR, 7.0 VDC
49	R11181	R11181	R11181	R11181	LATCH EXTENSION (QTY. 2)