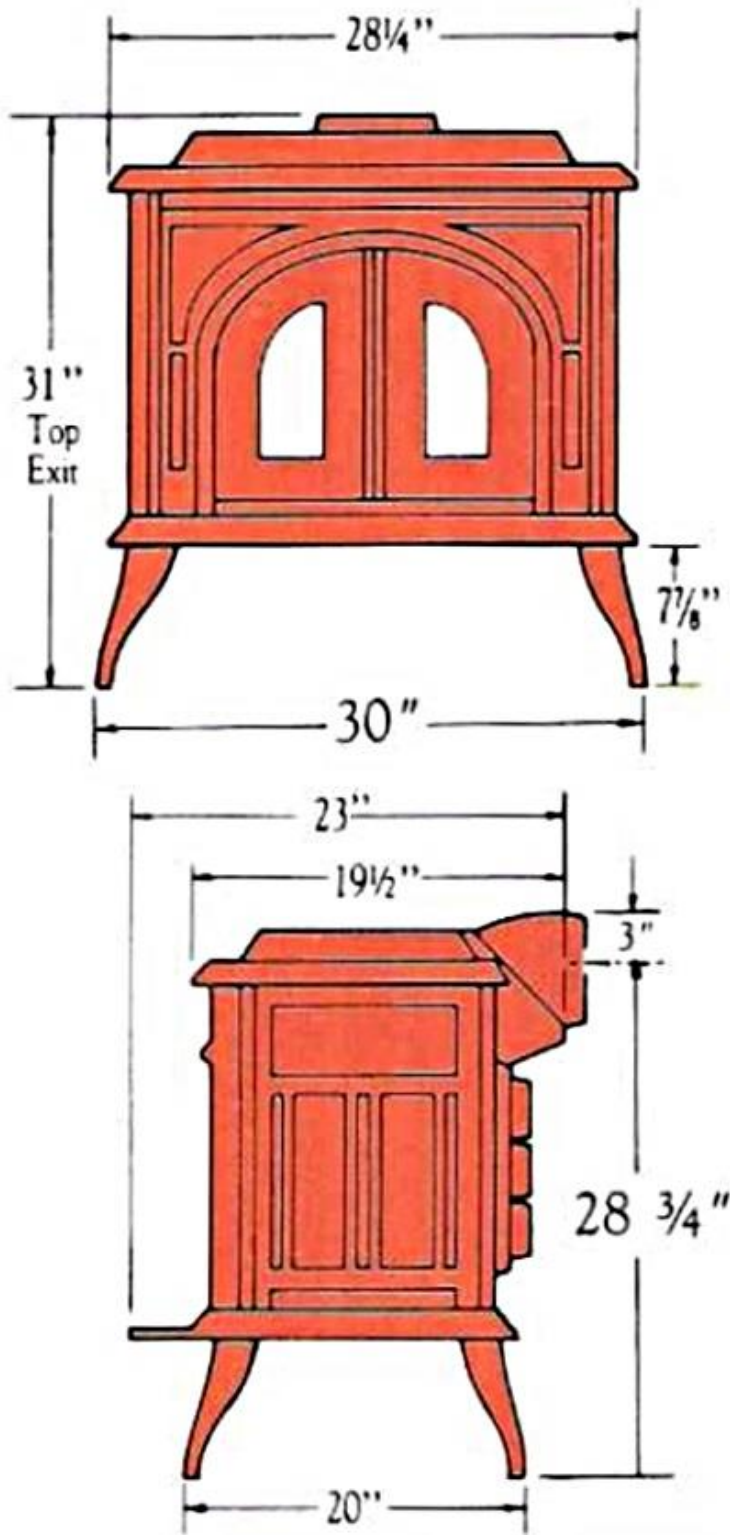


Vermont Castings Vigilant Coal Model 2310



Stove ⁴	Vigilant Coal
Maximum Fuel Amount (coal)	45 lbs.
Maximum Burn Time ¹	18 hrs.
Average Heating Capacity ¹	1,000-2,000 sq. ft.
Maximum Heat Output ¹	50,000 BTU/hr.
Height (to top of flue collar)	Top Vent—31" Back Vent—31¾"
(with optional short legs) ²	Top Vent—27" Back Vent—27¾"
Width (leg to leg)	30"
Depth (leg to leg) (overall)	20" 24"
Weight	425 lbs.
Flue	8" oval (reversible)
Clearances (to combustibles) ³	Back—36" Side—36"