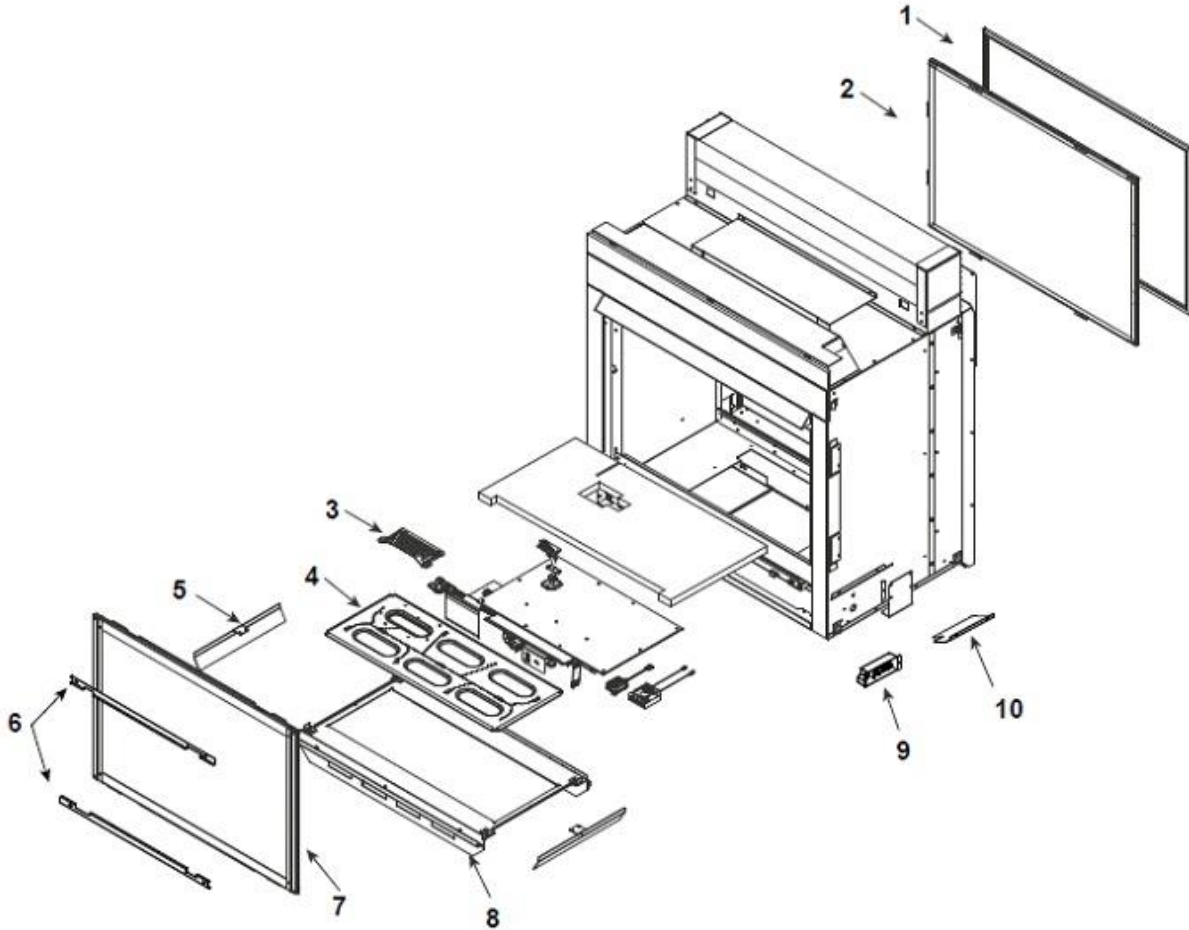
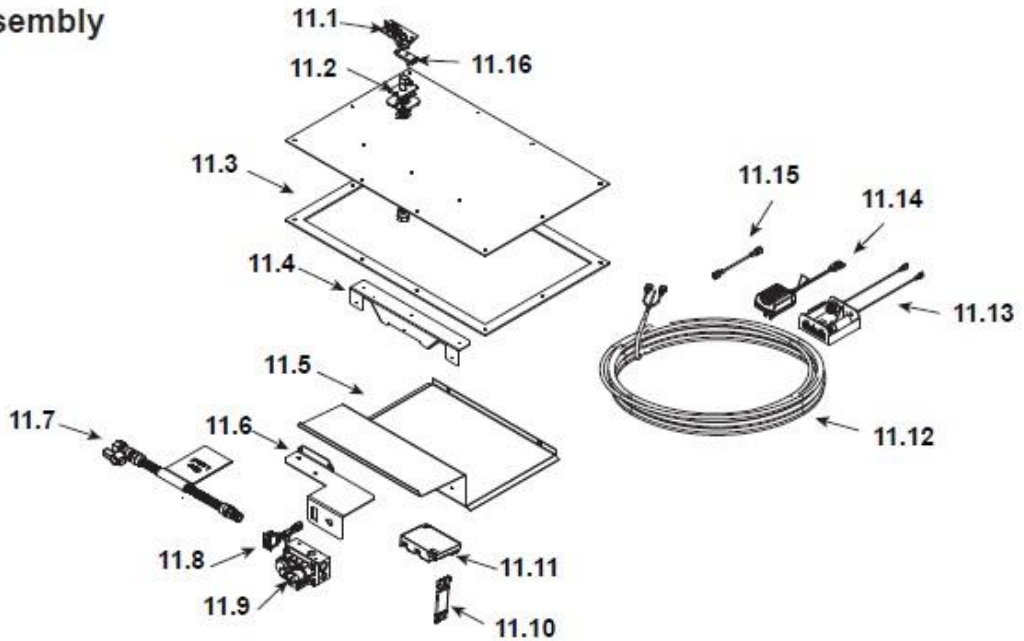


Quadra-Fire Twilight Modern Gas Fireplace



ITEM	DESCRIPTION	COMMENTS	PART NUMBER
1	Mesh Assembly		MESH-TWI-EXT
2	Outdoor Glass Assembly		GLA-OUTDOOR2
3	Pilot Shield		2290-109
4	Burner Assembly		2290-007
5	Firebox Bracket	Qty 2 req	2290-123
6	Glass Clip	Qty 2 req	2087-121
7	Indoor Glass Assembly		GLA-6TROC
8	Base Pan Asseby		2290-015
9	Junction Box		4021-013
10	Junction Box Shield		2087-149

### #11 Valve Assembly



ITEM	DESCRIPTION	COMMENTS	PART NUMBER
11.1	Pilot Assembly NG		2090-012
	Pilot Assembly LP		2090-013
	Pilot Tube		SRV485-301
11.2	12" Flex Tube Assembly		383-302A
11.3	Valve Plate Gasket		2087-112
11.4	Valve L Bracket		674-168
11.5	Valve Bracket		2087-117
11.6	Valve Assembly Bracket		2087-116
11.7	Flex Ball Valve Assembly		302-320A
11.8	ON/OFF Rocker Switch Assembly		060-521A
11.9	Valve NG		593-500
	Valve LP		593-501
11.10	Wire Assembly		593-590A
11.11	Control Module		593-592
11.12	Wall Switch Wire		2118-170
11.13	Battery Pack		593-594A
11.14	Power Supply		593-593A
11.15	Jumper Wire		2155-033
11.16	3-Hole Grommet		2118-420
	Burner Orifice (NG) (#32C)		582-832
	Burner Orifice (LP) (#50C)		582-850

Woodman's Parts Plus  
[www.woodmanspartsplus.com](http://www.woodmanspartsplus.com)

ITEM	DESCRIPTION	COMMENTS	PART NUMBER
	Black Rock, 5 Lb Bag	Qty 4 req	2188-850
	Drain Pan		2087-118
	Glass Latch Assembly	Pkg of 2	33858/2
	Non-Combustible Boards (set only)		2108-030
	Refractory Assembly	Qty 2 req	SRV2290-070
	Top Panel Inside		2086-127
	Touch Up Paint	Exterior	SRV2087-999-A12
		Interior	TUP-GBK-12
	Trim Kit, Black		TL-TRIM-BK
	Cover Panel		2368-114
	Deflector Panel		2086-136MBK
	Flashing		2087-159
	Hood-Exterior Side		2086-113MBK
	Outdoor Surround		2086-130MBK
	Wind Screen Assembly		2086-004MBK
<b>Media</b>			
	Media, Black Glass Rock		MEDIA-BLACK-20
	Media, Amber Glass Rock		MEDIA-AMBER-20
	21 LB Crystal Media Kit		MEDIA-CRYSTAL21
<b>Conversion Kits</b>			
	Conversion Kit NG		NGK-TWI-MOD
	Conversion Kit LP		LPK-TWI-MOD
	Pilot Orifice NG		593-528
	Pilot Orifice LP		593-527
	Regulator NG		NGK-DXF
	Regulator LP		LPK-DXF