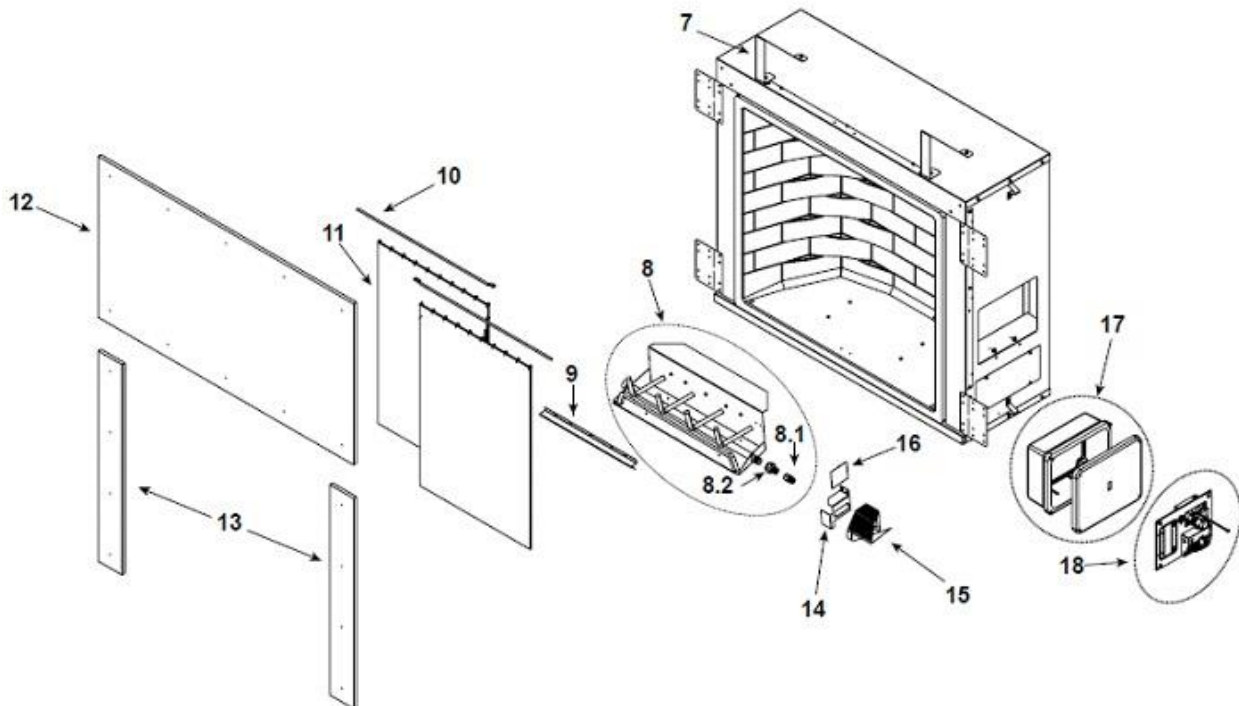
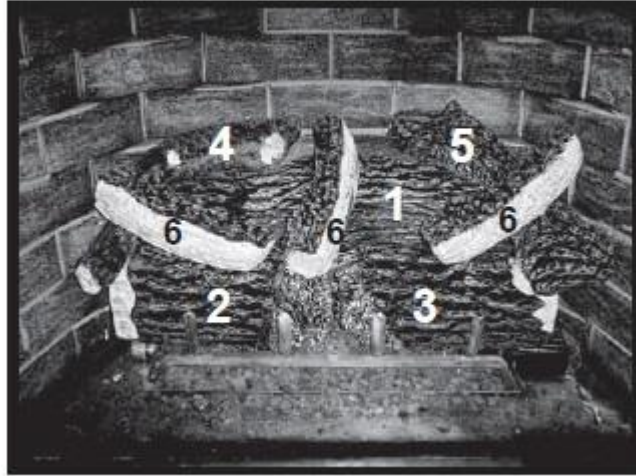


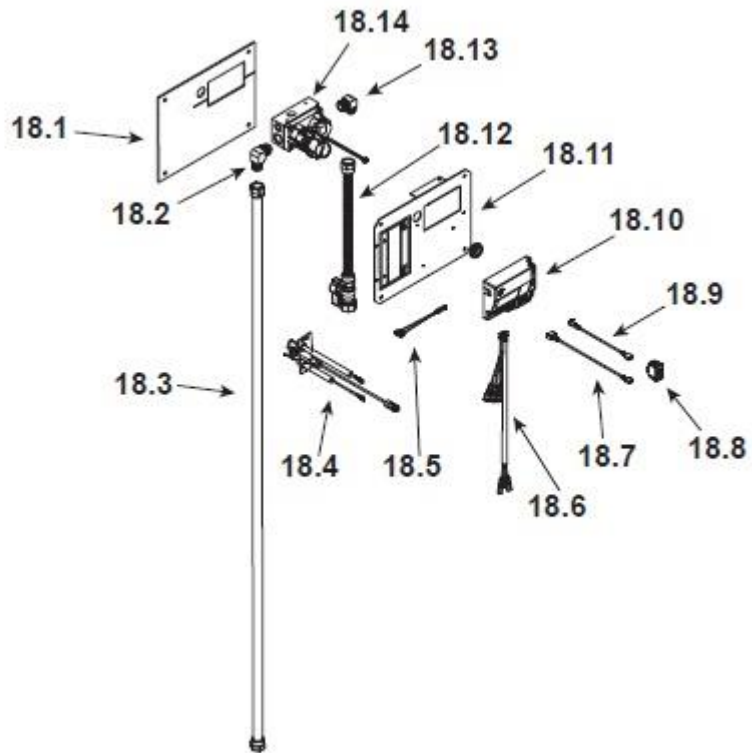
Quadra-Fire Carolina 36 Gas Fireplace

Log Set Assembly





## #18 Valve Assembly



ITEM	DESCRIPTION	COMMENTS	PART NUMBER
18.1	Gasket , Pilot Bracket		4066-328
18.2	90 Degree Elbow		4042-314
18.3	SS FlexLine		4021-696
18.4	Pilot Assembly NG		4021-628
	Pilot Assembly LP		4021-629
	Pilot Tube		4021-705
18.5	Wire Assembly		4021-711
18.6	Wire Harness		2166-304
18.7	Wire Assembly		4021-710
18.8	On/ Off Switch		060-511
18.9	Wire Assembly		4021-710
18.10	Module		2166-307
18.11	Valve Bracket		4066-115
18.12	Flex Ball Valve Assembly		302-320A
18.13	Male Elbow		4021-045
18.14	Valve NG		2166-302
	Valve LP		2166-303
	Electric Kit to AC Power		4066-073
	Power Supply		2326-131