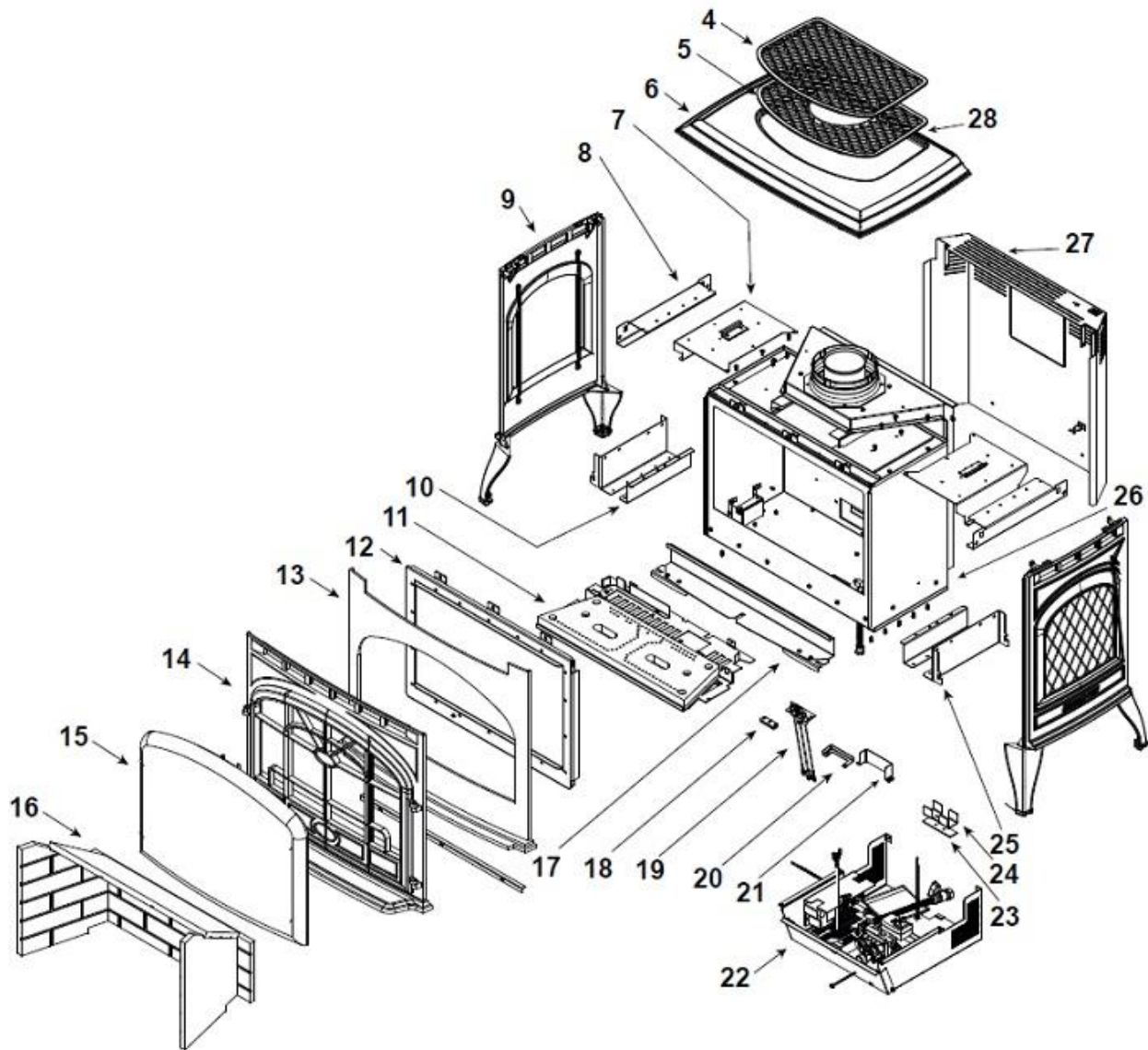


Quadra-Fire Topaz

Log Set Assembly



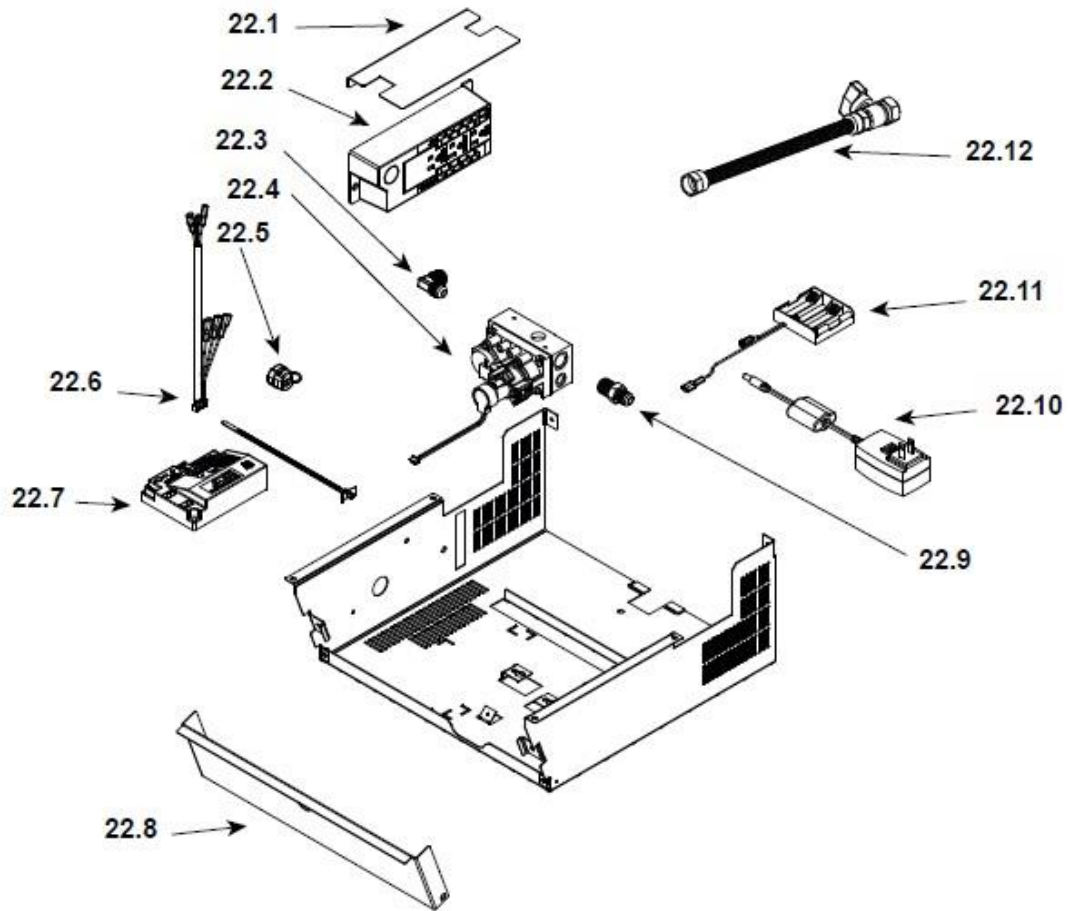
Woodman's Parts Plus
www.woodmanspartsplus.com

ITEM	DESCRIPTION	COMMENTS	PART NUMBER
	Log Set Assembly		LOGS-T2
1	Log #1	Rear	7011-147
2	Log #2	Right Front	7011-145
3	Log #3	Left Front	7011-146
4	Grill, Rear Vent	Black	RV-TPZ-MBK-IPI
		Mahogany	RV-TPZ-PMH-IPI
		Sienna Bronze	RV-TPZ-CSB-IPI
5	Grill Top Vent	Black	468-0040MBK
		Mahogany	468-0040PMH
		Sienna Bronze	468-0040CSB
6	Top	Black	468-0010MBK
		Mahogany	468-0010PMH
		Sienna Bronze	468-0010CSB
7	Shroud, Upper Fan	Qty 2 req	2340-130
8	Bracket, Top Mounting	Qty 2 req	2341-131
9	Side Kit - Side Replacement	Black	SIDE-TPZ-MBK
		Mahogany	SIDE-TPZ-PMH
		Sienna Bronze	SIDE-TPZ-CSB
10	Bracket, Bottom Mounting Inner	Qty 2 req	2341-107
11	Burner Assembly		2340-007
12	Glass Assembly		GLA2340-019
13	Face Assembly, Solitaire	Solitaire Face Black	7009-007MBK
14	Face Assembly, Quartet	Black	466-5000MBK
		Mahogany	466-5000PMH
		Sienna Bronze	466-5000CSB
	Ashlip	Black	466-0060MBK
		Mahogany	466-0060PMH
		Sienna Bronze	466-0060CSB
	Door Assembly Left	Black	466-5030MBK
		Mahogany	466-5030PMH
		Sienna Bronze	466-5030CSB
	Door Assembly Right, Quartet	Black	466-5020MBK
		Mahogany	466-5020PMH
		Sienna Bronze	466-5020CSB
	Face	Black	466-0010MBK
		Mahogany	466-0010PMH
		Sienna Bronze	466-0010CSB

Woodman's Parts Plus
www.woodmanspartsplus.com

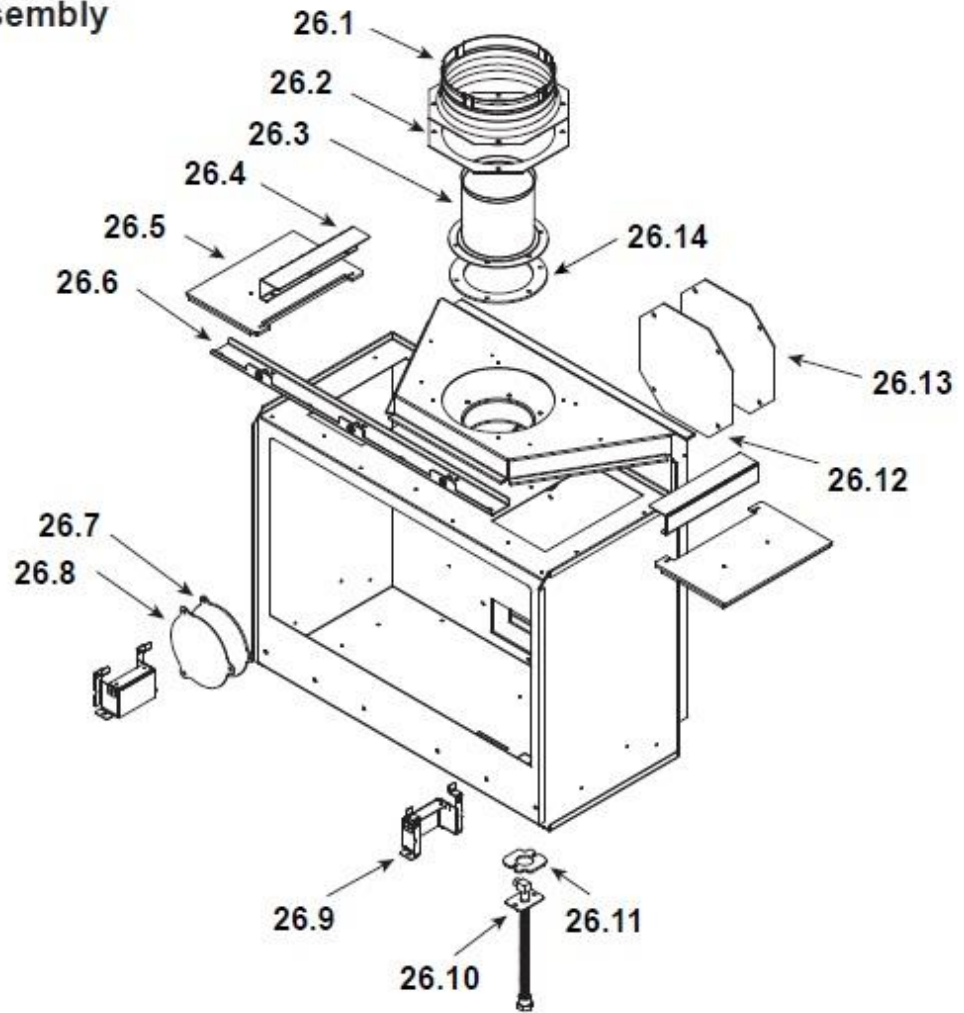
ITEM	DESCRIPTION	COMMENTS	PART NUMBER
	Hinge Assembly		454-5030
	Hinge Pin		844-5750
	Magnet Round		SRV7000-140
	Thumbscrew, 1/4-20 X 3/4		844-5070
	Plate, Support		2340-110
15	Screen Assembly	Solitare	466-023
		Quartet	466-021
16	Refractory Assembly		BRICK-TOPAZ
17	Glass Frame Ledge Assembly		2341-020
18	Grommet		2118-420
19	Pilot Assembly	NG	2090-012
		LP	2090-013
20	Bracket, Pilot Shield		2340-137
21	Pilot Shield		2344-103
22	Valve Assembly Tray		See Following Page
23	Gasket, Air Shutter Bracket		2342-159
24	Shutter Assembly		2342-154
25	Bracket, Bottom Mounting Outer		2341-108
26	Firebox Assembly		See Following Page
27	Fan Shroud Assembly		2341-021
	Back Fan Shroud		2341-129
	On/Off Rocker Switch		060-511
	Wire Harness, 30"		3-20-2159315
28	Top Mount		468-0420

#22 Valve Assembly Tray



ITEM	DESCRIPTION	COMMENTS	PART NUMBER
22.1	Heat Shield, J-box		2342-132
22.2	Junction Box		4021-013
22.3	Elbow, 3/8" OD Flare x 3/8" NPT		4021-045
22.4	Valve, IPI	NG	2166-302
		LP	2166-303
22.5	Cord Clamp		3-20-12402
22.6	Wire Harness		2166-304
22.7	Module		2166-338
22.8	Access Door		2342-112
22.9	Male Connector	Pkg of 5	303-315/5
22.10	Transformer, 6V		2326-131
22.11	Battery Pack		2166-323
22.12	Ball Valve Assembly, 24"		3-40-2098034
	Blower Cord		832-2410

#26 Firebox Assembly



ITEM	DESCRIPTION	COMMENTS	PART NUMBER
26.1	Starting Collar		2189-002
26.2	Gasket, Adaptor		460-0610
26.3	Flue Assembly		2340-025
26.4	Relief Door Guide		2340-133
26.5	Relief Door Assembly		2340-020
26.6	Firebox Support		2340-115
26.7	Gasket, Flue Cover		2340-135
26.8	Flue Cover		2340-134
26.9	Bracket, Burner Mounting		2342-110
26.10	Bulkhead		7000-156
26.11	Gasket, Burner Neck		2025-407
26.12	Cover Plate		7010-159
26.13	Gasket, Cover Plate		7010-160
26.14	Gasket Spacer		2340-203

Woodman's Parts Plus
www.woodmanspartsplus.com

ITEM	DESCRIPTION	COMMENTS	PART NUMBER
	Fan Kit		GFK-160A
	Knob, Rheostat		100-512
	Rheostat Assembly		100-510A
	Temp Sensor (Limit) w/Bracket		107-531A
	Firescreen	Quartet Front Only	844-9360
	Leveling Assembly		7000-000
	Mineral Wool		050-721
	Orifice, (NG) #32	Top Vent	582-832
	Orifice, (LP) #50	Top Vent	582-850
	Orifice, (NG) #33	Rear Vent	582-833
	Orifice, (LP) #54	Rear Vent	582-854
	Paint, 12 oz Can - Qty: 1	Sienna Bronze	PAINT1-CSB/CES
	Paint Touch-Up, 4 Oz, Black	Pre 0081100001	812-0910
		Post 0081100001	3-42-19905
	Paint Touch-Up, 4 Oz	Mahogany	855-1450
		Sienna Bronze	TOUCHUP-CSB
	Snap Disc Bracket		7009-108
	Trim Kit, Door, Gold	Solitaire Front Only	844-0140
	Warming Shelves	No longer available	844-9780
		No longer available	844-9810
		Sienna Bronze	WSLG-CSB
Conversion Kits			
	Conversion Kit NG		NGKI-TIARA2
	Conversion Kit LP		LPKI-TIARA2
	Pilot Orifice NG		593-528
	Pilot Orifice LP		593-527
	Regulator NG		NGK-DXV-50
	Regulator LP		LPK-DXV-50