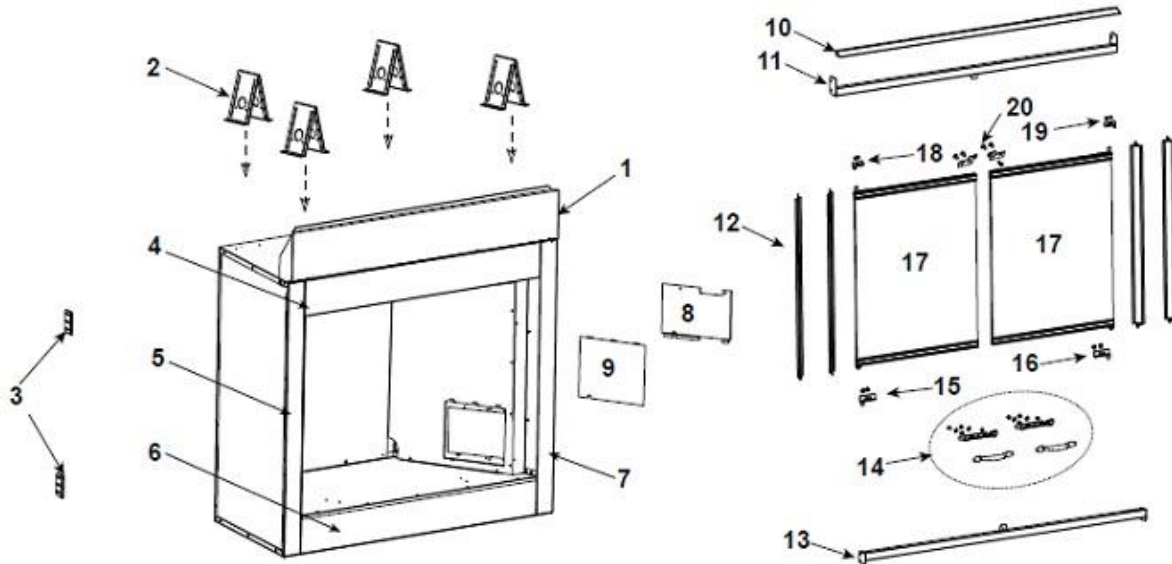
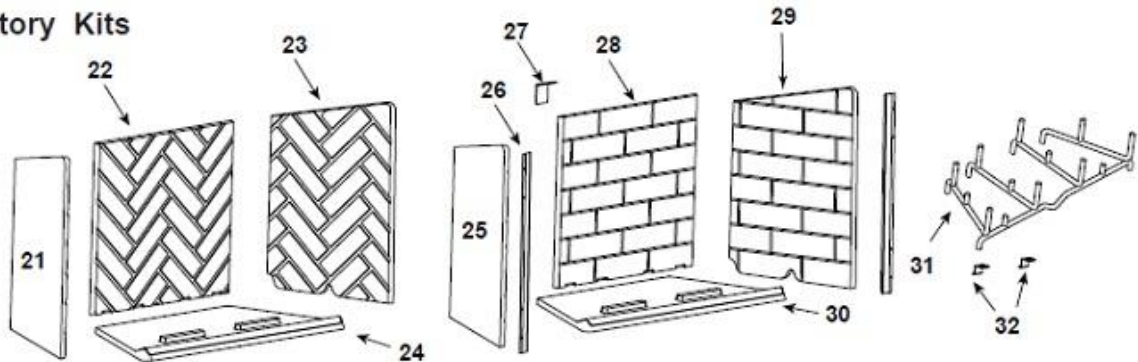


Quadra-Fire Dakota Gas Fireplace



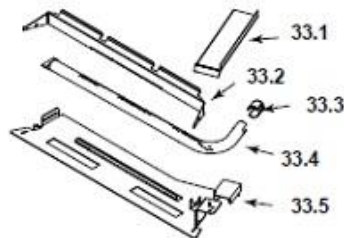
ITEM	DESCRIPTION	COMMENTS	PART NUMBER
1	Upper Face		4036-197
2	Top Standoffs	Qty 4 req	4044-111
3	Nailing Flange	Qty 4 req	31190
4	Top Front Face	Not Replaceable Must Order CUST4004-107	4036-105
5	Left Side Column		4036-185
6	Lower Front Face		4036-176
7	Right Side Column		4036-184
8	Intermediate Shell Access Panel		4036-139
9	Inner Shell Access Panel		4036-137
10	Gas Hood		4036-195
11	Top Door Support Assembly		4036-082
12	Door Grille Bar	Qty 4 req	4036-177
13	Bottom Door Support Assembly		4036-083
	Left Glass Door Assembly		4036-097
14	Door Handle		4021-350
15	Left Bottom Pivot Pin		4036-116
17	Glass Panel Assembly		4036-020
18	Left Top Pivot Pin		4036-119
	Right Glass Door Assembly		4036-096
14	Door Handle		4021-350
16	Right Bottom Pivot Pin		4036-115
19	Right Top Pivot Pin		4036-118
20	Door Locks	Qty 2 req	4036-226

Refractory Kits



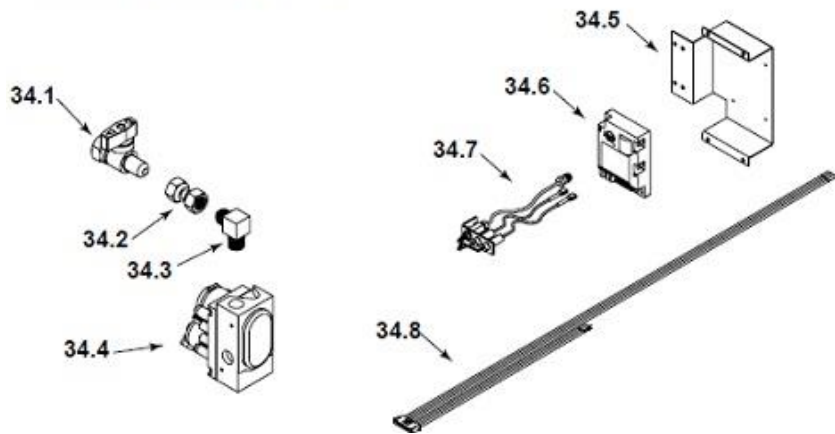
ITEM	DESCRIPTION	COMMENTS	PART NUMBER
21	Herringbone Left Side Refractory		4036-148
22	Herringbone Back Refractory		4010-015
23	Herringbone Right Side Refractory		4036-147
24	Herringbone Hearth Refractory		4036-152
25	Traditional Brick Left Side Refractory		4036-146
26	Side Refractory Cover	Qty 2 req	4036-133
27	Back Refractory Bracket		4036-121
28	Traditional Brick Back Refractory		28394
29	Traditional Brick Right Side Refractory		4036-145
30	Traditional Brick Hearth Refractory		4036-740
31	Grate		4036-067
32	Grate Retainer Clip	Qty 2 req	28062

#33 Burner Assembly

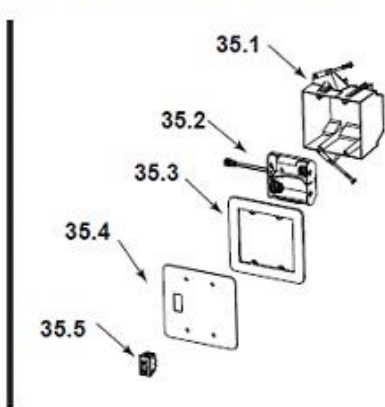


33	Burner Tube Assembly NG		4036-068
	Burner Tube Assembly LP		4036-069
33.1	Pilot Shield		4036-248
33.2	Rock Retainer		4036-190
33.3	Air Shutter		4036-194
33.4	1-1/4 in. Burner Tube NG		4036-187
	1-1/4 in. Burner Tube LP		4036-188
33.5	Burner Tube Bracket		4036-189

#34 Valve Components

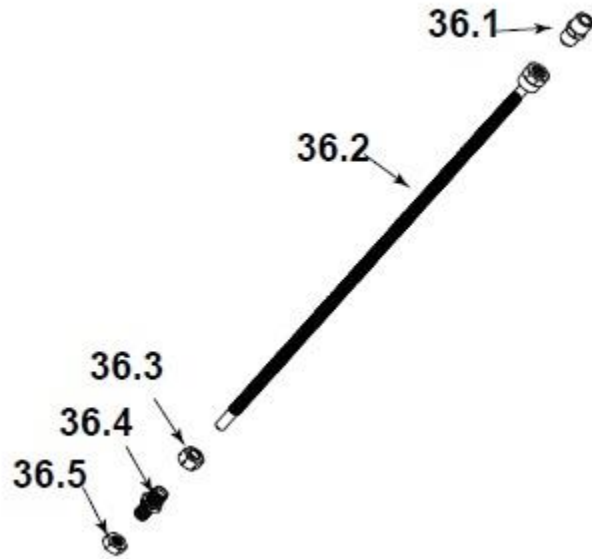


#35 Switch Box Assembly



ITEM	DESCRIPTION	COMMENTS	PART NUMBER
34.1	ON/OFF Valve		15697
34.2	3/8 Swivel Nut Connector		4021-561
34.3	Brass Elbow		4021-045
34.4	Valve NG		593-500
	Valve LP		593-501
34.5	Valve Assembly Bracket		4036-179
34.6	Control Module		593-595
34.7	Pilot Assembly NG		593-512A
	Pilot Assembly LP		593-513A
34.8	IPI Wiring Harness (w/5 ft. Leads)		4021-116
35	Switch Box Assembly		4036-040
35.1	Switch Box		4021-117
35.2	Battery Pack		593-594A
35.3	Electrical Box Gasket		4021-153
35.4	Switch Cover Plate		4036-157
35.5	ON/OFF Rocker Switch		060-511
	Lava Rock		4021-296
	Outer Shell Access Panel		4036-186
	Outer Shell Access Panel Fastener Pack		4025-007
	Conversion Kit NG to LP		LPK-DAKOTA-B
	Conversion Kit LP to NG		NGK-DAKOTA-B
	Installation Instructions & Owner's Manual		4036-909

#36 Flex Assembly



ITEM	DESCRIPTION	COMMENTS	PART NUMBER
36.1	Brass Fitting (1/2-3/8)		19641
36.2	Flex Burner Line Kit		SRV4036-260
36.3	Compression Nut		32553
36.4	Burner Orifice NG		4021-134
	Burner Orifice LP		32562
36.5	Jam Nut (1/2-20)		32563
	3/8 in. NPT Pipe Coupler	No longer available	4021-349
	3/8 Male NPT x 4-1/2 in. Pipe	No longer available	4021-348
	3/8 NPT Street L	No longer available	4021-347

Log Assemblies

