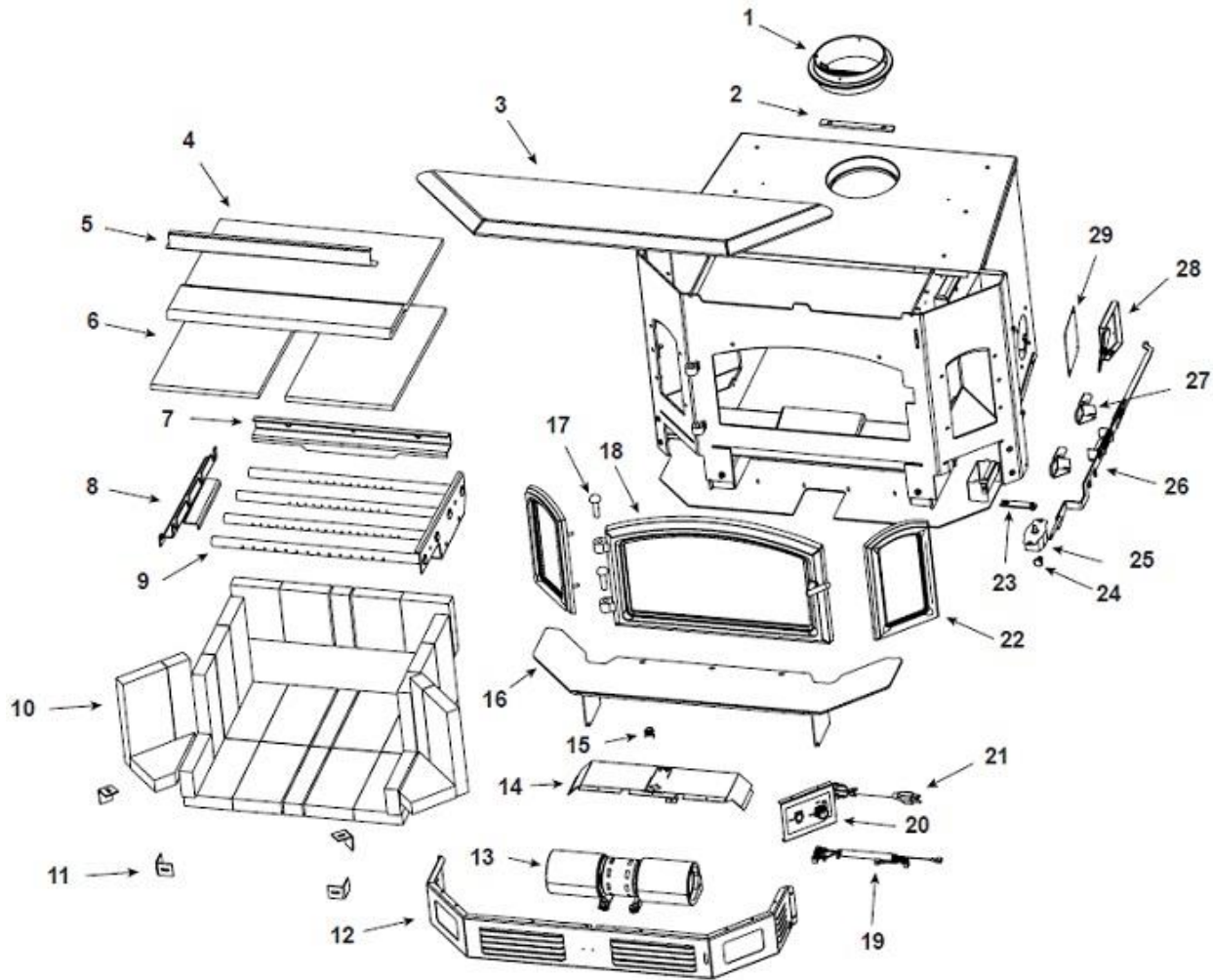


Quadra-Fire 5100i ACC Fireplace Insert

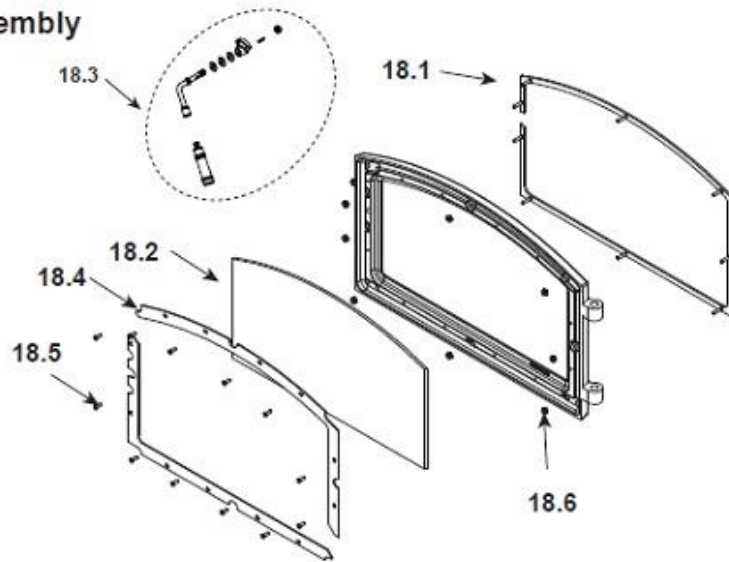


| ITEM | DESCRIPTION           | COMMENTS | PART NUMBER |
|------|-----------------------|----------|-------------|
| 1    | Flue Attach Ring      |          | SRV7044-154 |
| 2    | Chimney Ring Mount    |          | SRV7044-181 |
| 3    | Front Top Assembly    |          | SRV7047-017 |
| 4    | Ceramic Fiber Blanket |          | 832-3390    |

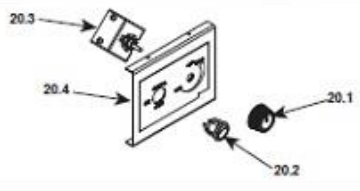
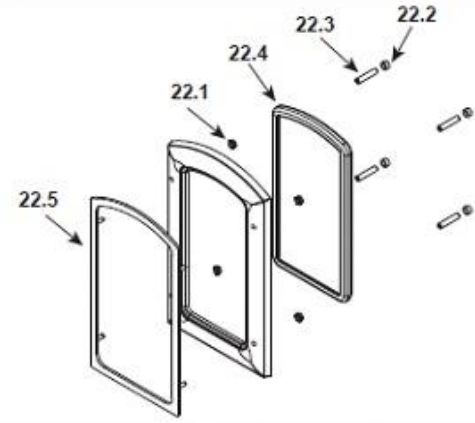


| ITEM | DESCRIPTION           | COMMENTS | PART NUMBER |
|------|-----------------------|----------|-------------|
| 11   | Brick Clips (Qty.4)   |          | SRV7047-206 |
| 12   | Blower Grill Assembly |          | SRV7047-024 |
| 13   | Blower Replacement    |          | SRV7044-210 |
| 14   | Blower Shield         |          | SRV7047-131 |
| 15   | Snap Disc             |          | SRV230-0060 |
| 16   | Ashlip Assembly       |          | SRV7047-002 |
| 17   | Hinge Pin Black       |          | 7000-606/2  |

### #18 Front Door Assembly



|      |                                   |           |             |
|------|-----------------------------------|-----------|-------------|
| 18   | Door Assembly                     |           | SRV7047-025 |
| 18.1 | Door Trim Black                   |           | SRV7047-187 |
| 18.2 | Door Glass Assembly               |           | 7000-011    |
|      | Door Hardware                     |           | SRV7047-034 |
| 18.3 | Door Handle Assembly              |           | SRV7033-071 |
|      | Door Handle                       |           | SRV7060-212 |
|      | Fiber Handle                      |           | 832-0990    |
|      | Washer, Sae, 3/8 (3 Ea)           | Pkg of 3  | 430-1141    |
|      | Cam Latch                         |           | 430-1151    |
|      | Key, Cam Latch                    |           | 226-0100/24 |
|      | Nut, 2-Wy Side-Lock Jam (3Ea)     | Pkg of 24 | 220-0490/12 |
| 18.4 | Glass Frame Upper & Lower         |           | SRV7047-193 |
| 18.5 | Screw, Flat Head Philips 8-32X1/2 | Pkg of 12 | 220-0490/12 |
| 18.6 | Nut, Keps Lock, 8-32              |           | 226-0060/40 |
|      | Rope, Door Gasket, Black, 3/4     |           | 832-1680    |
| 19   | Wire Harness                      |           | SRV7047-192 |

| ITEM   | DESCRIPTION                       | COMMENTS  | PART NUMBER |
|--|-----------------------------------|-----------|-------------|
| <b>#20 Blower control Panel</b>  |                                   |           |             |
| 20   | Blower Control Panel              |           | SRV7047-009 |
| 20.1   | Knob, Speed Control               |           | 200-2041    |
| 20.2   | Rocker Switch (Round)             |           | SRV7000-515 |
| 20.3   | Speed Control Only (Rheostat)     |           | 842-0370    |
| 20.4   | Control Panel Mount Plate         |           | SRV7047-140 |
| 21   | Blower Cord Only                  |           | 832-2410    |
| <b>#22 Window Assembly</b>      |                                   |           |             |
| 22   | Window Assembly                   |           | SRV7047-026 |
| 22.2   | Bushing                           | Pkg of 4  | 7000-568/4  |
| 22.3   | Set Screw                         | Pkg of 8  | 7000-646/8  |
| 22.4   | Glass Assembly                    |           | SRV7047-032 |
| 22.1   | Nut, Keps Lock, 8-32              | Pkg of 40 | 226-0060/40 |
| 22.5   | Window Trim Black                 | 2 Pieces  | SRV7047-188 |
| 23   | Timer Control Arm                 |           | SRV7044-002 |
| 24   | Knob                              | Pkg of 2  | 32284/2     |
| 25   | Timer (Only) Replacement Assembly |           | SRV480-1940 |
| 26   | Air Control Linkage Assy          |           | SRV7047-008 |
| 27   | Timer Door Assembly               |           | SRV7044-020 |
| 28   | Burn Rate Control                 |           | SRV7047-005 |
| 29   | Outside Air Cover Plate           |           | SRV7044-217 |
|  |                                   |           |             |
|  |                                   |           |             |

