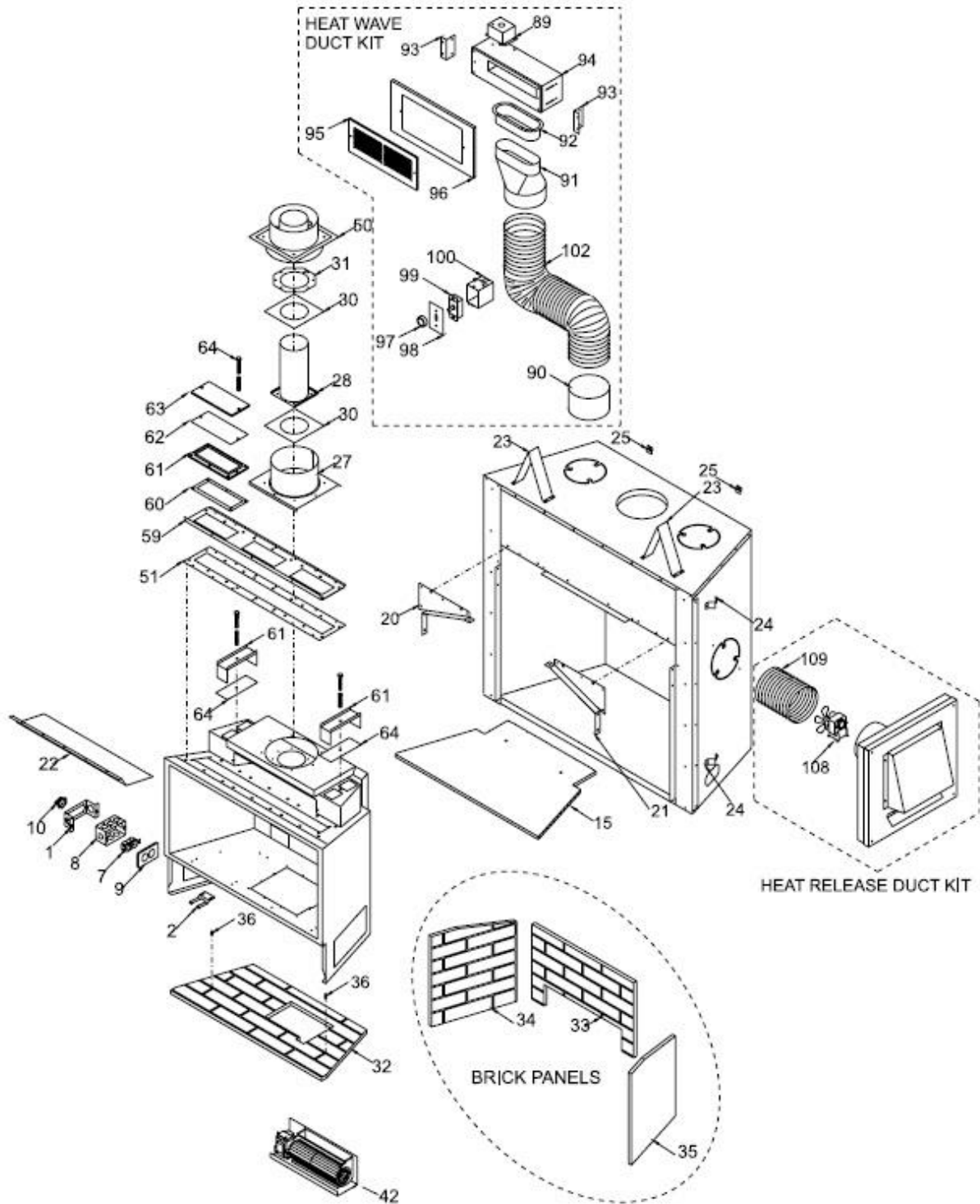


Regency Excalibur P90-10 Gas Fireplace

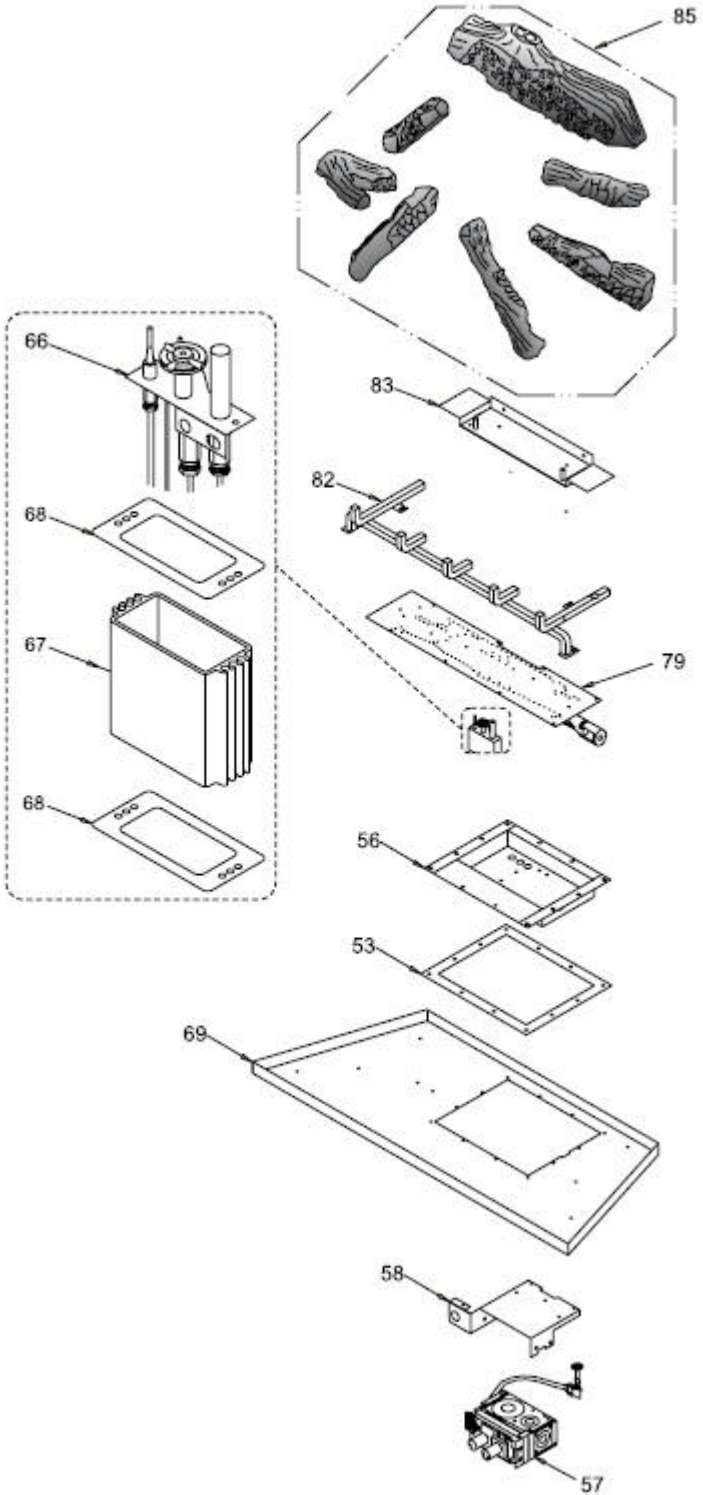


MAIN ASSEMBLY

Part #	Description
1.	430-129 Receptacle Box Mount
2.	* Thermodisc Bracket
7.	910-428 Duplex Receptacle
8.	910-429 Box - Receptacle
9.	910-430 Cover - Receptacle
10)	904-687 Clamp Connector
15.	* Heat Shield - Base
20)	790-021 Front Filler - Left Corner
21.	790-022 Front Filler - Right Corner
22.	790-012 Baffle
23.	780-011 Standoff - Top
24.	780-013 Standoff - Side
25.	780-091 Standoff - Rear
27.	* Outer Flue Collar
28.	* Inner Flue Collar Assy
30)	* Gasket for Flue Collar
31.	* Flue Mounting Bracket
32.	902-600 Brick Panel - Base
	790-901 Brick Panel Set - Standard Brown
	790-902 Brick Panel Set - Standard Red
	790-903 Brick Panel Set - Herringbone Brown
33.	* Brick Panel - Back
34.	* Brick Panel - Left
35.	* Brick Panel - Right
36.	904-716 #10 x 5/8" Butt Spacer
	511-031 Brick Panel Clip

Part #	Description
43. 911-159	Power Cord (120 Volts)
50. 510-994	Rigid Pipe Adaptor (Optional)
51. 790-011	Relief Frame Gasket
59. 790-009	Relief Door Mounting Plate
60. W260260	Top Relief Frame Gasket
61. 942-117	Top Relief Plate Frame
62. W260280	Top Relief Plate Gasket
63. 290-021	Air Baffle Plate
64. 790-093	Gasket - Exchanger Relief
	946-556 Heat Wave Duct Kit (Optional)
89. 946-004	Junction Box
90. 946-000	Round Duct Adaptor
91. 946-002	Round to Oval Adaptor
92. 946-001	Oval Duct Adaptor
93. 946-007	Angle Bracket
94. 946-517/P	Fan Assy - HeatWave Option
95. 946-006	Grill Plate - White
96. 946-005	Wall Adaptor Plate - White
97. 910-417	Knob - White
98. 910-366	Switch Cover Plate - White
99. 910-412	Fan Speed Controller
100. 910-367	Box-Plastic Switch Receptacle
102. 946-010	Flexible Air Duct
	946-038 Insulation 6" dia. x 24"
	946-570 Heat Release Duct Kit (Optional)
108. 910-165	Fan (120 V)
109. 946-000	Flexible Air Release Duct
	919-495 Manual
	792-969 Conversion Kit - NG to LP

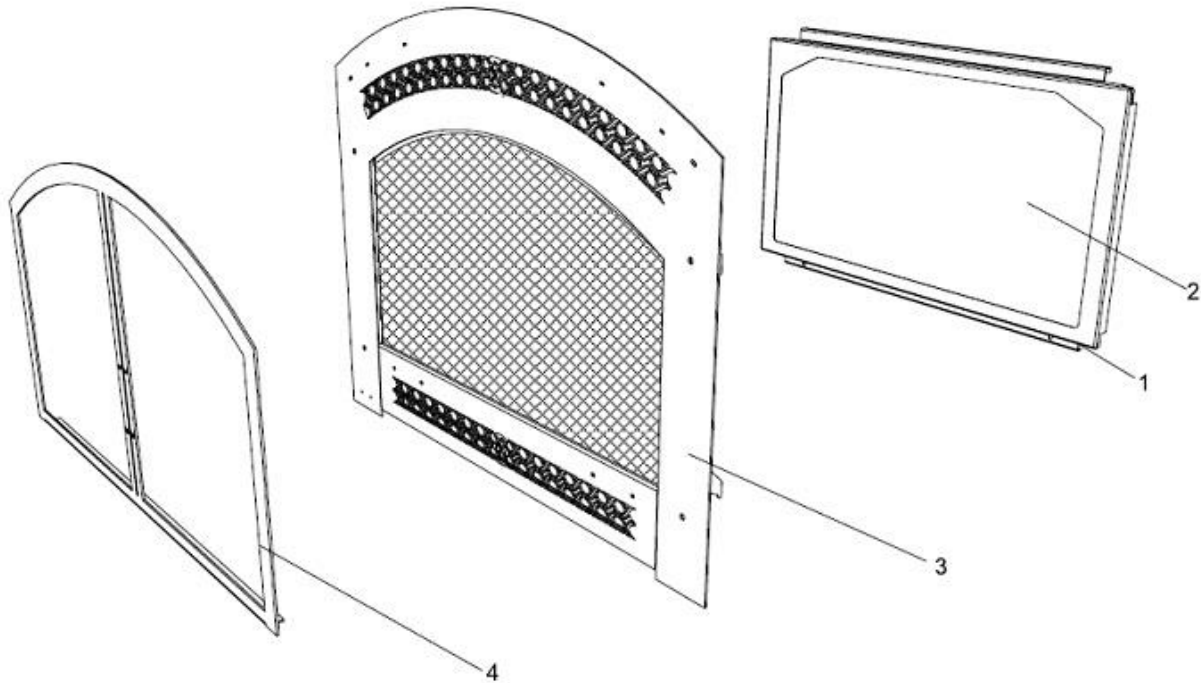
*Not available as a replacement part.



BURNER ASSEMBLY & LOG SET

Part #	Description
53. 780-021	Gasket - Valve Access Plate
792-574/P	Valve Assy - Natural Gas
792-576/P	Valve Assy - Propane
56. *	Valve Tray - NG/LP
57. 910-578	Valve - S.I.T. - NG
910-580	Valve - S.I.T. - LP
58. *	Valve Bracket
65. *	Pilot Bracket
66. 910-038	Pilot Assy-NG 3 way flame - S.I.T.
910-039	Pilot Assy-LP 3 way flame - S.I.T.
904-617	Orifice #34 - Natural Gas
904-645	Orifice #51 - Propane
936-170	Orifice Gasket
910-581	Stepper Motor NG
910-582	Stepper Motor LP
910-572	Remote Receiver
910-592	Remote handheld (GTMF)
911-127	Battery Compartment Door
910-036	Pilot Orifice NG
910-037	Pilot Orifice LP
910-096	Pilot Hood
910-341	Thermopile
910-386	Thermocouple
910-432	Pilot Tube w/nuts
910-073	DC Spark box
910-074	DC spark box wire
911-030	Fan Control Module
792-969	Conversion Kit LP
911-032	Valve/Remote Wiring Harness
910-142	Fan Thermodisc
911-159	120 volt power cord
67. *	Pilot Holder
68. W840470	Pilot Assembly Gasket
69. *	Firebox Base
79. 791-535	Burner Assy - NG/LP
82. 511-030	Burner Grate Assy
83. 780-520	Rear Log Support Bracket
85. 780-930	Log Set (Complete)

*Not available as a replacement part.



50 | parts list

ARCH SURROUND AND SAFETY SCREEN ASSEMBLY

Part #	Description
1.	792-137 Flush door frame
2.	940-326/P Flush glass
	936-155 Glass Gasket (tadpole)
3.	792-920 Arch surround with safety screen
4.	792-950 Black Double doors