

Napoleon Ascent B42 Part List

EN

50

### 15.0 B42 OVERVIEW

FOR REPLACEMENTS PARTS REFER TO: "VALVE TRAIN ASSEMBLY"

ITEMS MAY NOT APPEAR EXACTLY AS ILLUSTRATED

REF. NO.	PART NUMBER	DESCRIPTION	REF. NO.	PART NUMBER	DESCRIPTION
1	W565-0150	SAFETY SCREEN	8	W655-0510	LOG SUPPORT
2	W010-3173	SAFETY SCREEN ASSEMBLY	9	W350-0126	ELECTRICAL BOX
3	W715-0968	TOP FINISHING TRIM	10	W350-0701	PILOT HOUSING
4	W335-0064	HOOD	11	W010-3070	DOOR LATCHES (X4)
5	W385-0334	NAPOLION LOGO	12	W570-0135	SHOULDER SCREWS (X4)
6	W010-3172	DOOR ASSEMBLY	13	W635-0078	STAND OFFS (X2)
7	W350-0342	BATTERY HOUSING			

www.woodmanspartsplus.com

EN

51

### 16.0 B42 ACCESSORIES

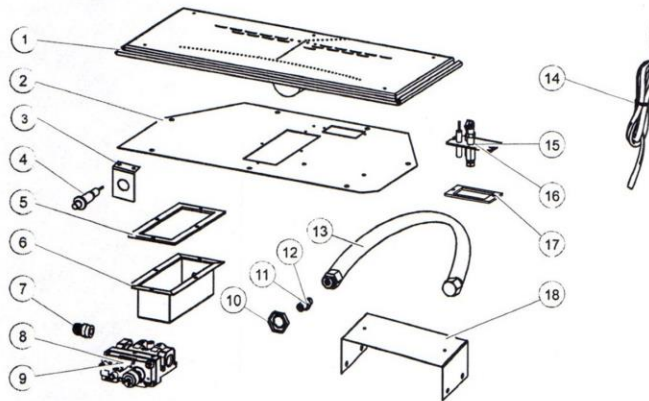
ITEMS MAY NOT APPEAR EXACTLY AS ILLUSTRATED

REF. NO.	PART NUMBER	DESCRIPTION	REF. NO.	PART NUMBER	DESCRIPTION
1	W430-0003	MAGNETS (X12) (TK42)	13	W135-0547	RIGHT CROSSOVER LOG (GL-693)
2	W715-0969	TOP TRIM (TK42)	14	W135-0544	LEFT SIDE LOG (GL-693)
3	W715-0952	SIDE TRIMS (X2) (TK42)	15	W135-0545	RIGHT SIDE LOG (GL-693)
4	W475-0938	LEFT SIDE HERRINGBONE PANEL (GD856KT)	16	W010-3280	ZEN DECORATIVE FRONT (Z42F)
5	W475-0979	REAR HERRINGBONE PANEL (GD856KT)	17	W010-3273	HERITAGE DECORATIVE FRONT (H42F)
6	W475-0937	RIGHT SIDE HERRINGBONE PANEL (GD856KT)	18	W361-0016	GLOWING EMBERS
7	W475-0915	SIDE BRICK PANEL (X2) (GD856KT)	19	W890-0002	THERMODISC (EP35)
8	W475-0933	REAR BRICK PANEL (GD856KT)	20	W080-1335	THERMAL DISK BRACKET (EP35)
9	W475-0922	SIDE PORCELAIN PANELS (X2) (PRPB42)	21	W062-0051	BLOWER (EP35)
10	W475-0934	REAR PORCELAIN PANEL (PRPB42)	22	W500-0746	BLOWER MOUNTING PLATE (EP35)
11	W135-0546	LEFT CROSSOVER LOG (GL-693)	23	W290-0128	VIBRATION DAMPER GASKET (EP35)
12	W135-0574	REAR LOG (GL-693)			

www.woodmanspartsplus.com

**17.0 B42 MILLIVOLT VALVE TRAIN ASSEMBLY (W010-3175)**

W415-1322 / B / 05.15.14



ITEMS MAY NOT APPEAR EXACTLY AS ILLUSTRATED

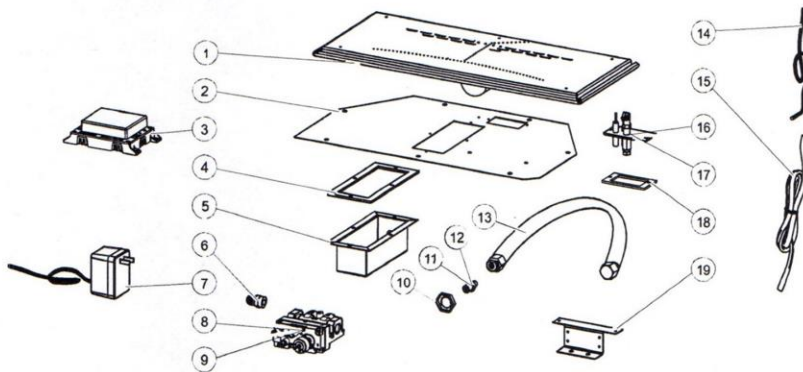
REF. NO.	PART NUMBER	DESCRIPTION
1	W100-0157	BURNER
2	W035-0326	VALVE TRAIN BASE
3	W080-1339	IGNITER BRACKET
4	W357-0001	PUSH BUTTON IGNITER
5	W290-0235	VENTURI HOUSING GASKET
6	W350-0696	VENTURI HOUSING
7	W445-0021	TUBE/PIPE FITTING
8	W725-0025	VALVE (NG)
9	W725-0043	VALVE (LP)
10	W450-0036	NUT

REF. NO.	PART NUMBER	DESCRIPTION
11	W456-0042	BURNER ORIFICE #42 (NG)
12	W456-0054	BURNER ORIFICE #54 (LP)
13	W432-0078	MANIFOLD FLEX
14	W750-0193	WIRE ASSEMBLY
15	W010-0798	PILOT ASSEMBLY (NG)
16	W010-0799	PILOT ASSEMBLY (LP)
17	W290-0029	PILOT GASKET
18	W080-1402	VALVE BRACKET

[www.woodmanspartsplus.com](http://www.woodmanspartsplus.com)

**18.0 B42 ELECTRONIC VALVE TRAIN ASSEMBLY (W010-3176)**

W415-1322 / B / 05.15.14



ITEMS MAY NOT APPEAR EXACTLY AS ILLUSTRATED

REF. NO.	PART NUMBER	DESCRIPTION
1	W100-0157	BURNER
2	W035-0326	VALVE TRAIN BASE
3	W190-0022	CONTROL BOARD
4	W290-0235	VENTURI HOUSING GASKET
5	W350-0696	VENTURI HOUSING
6	W445-0021	TUBE/PIPE FITTING
7	W707-0002	TRANSFORMER
8	W725-0070	VALVE (NG)
9	W725-0073	VALVE (LP)
10	W450-0036	NUT
11	W456-0042	BURNER ORIFICE #42 (NG)

REF. NO.	PART NUMBER	DESCRIPTION
12	W456-0054	BURNER ORIFICE #54 (LP)
13	W432-0078	MANIFOLD FLEX
14	W750-0309	WIRE HARNESS ASSEMBLY
15	W750-0193	THERMOSTAT WIRE
16	W010-3121	PILOT ASSEMBLY (NG)
17	W010-3252	PILOT ASSEMBLY (LP)
18	W290-0029	PILOT GASKET
19	W080-1338	VALVE BRACKET