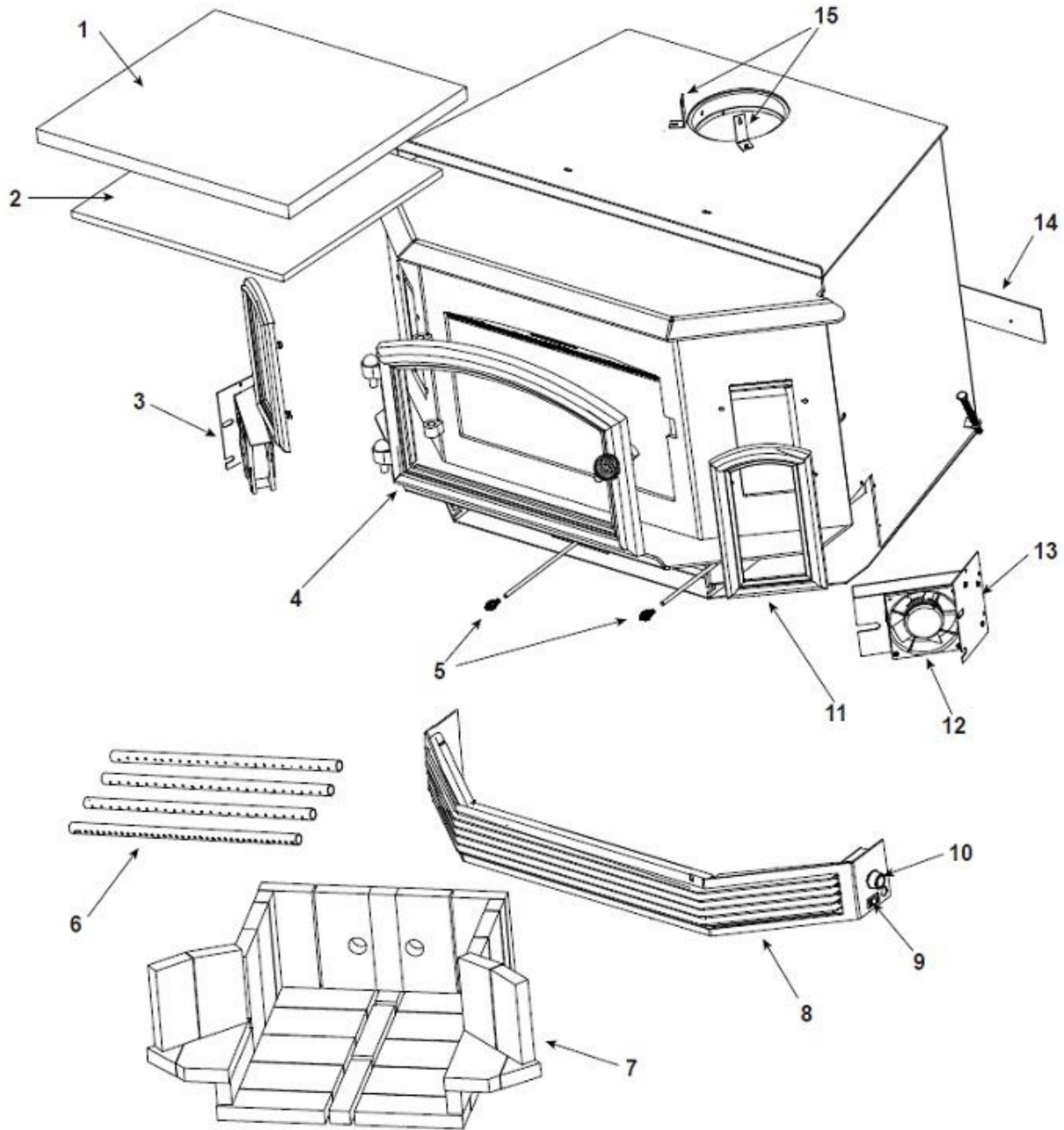
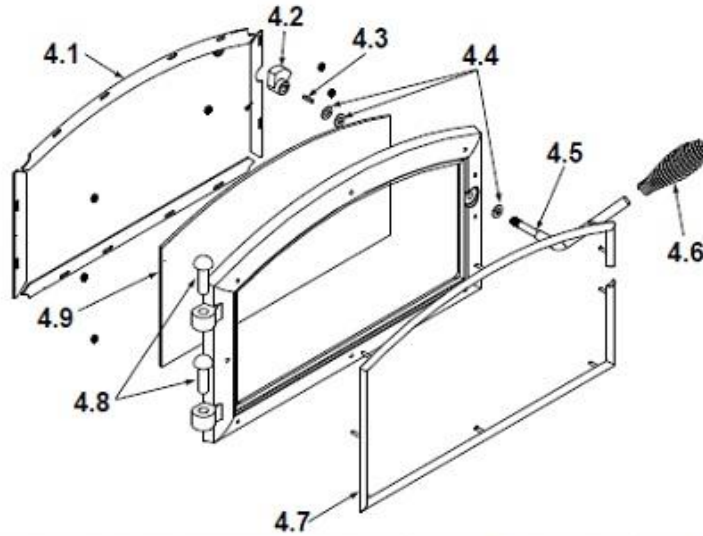


Quadra-Fire 5100i ACT Fireplace Insert



| ITEM | DESCRIPTION | COMMENTS | PART NUMBER |
|------|------------------------------------|----------|-------------|
| 1 | Ceramic Fiber Blanket, 1/2 " Thick | | 832-3390 |
| 2 | Baffle Fiberboard | | SRV438-0320 |
| 3 | Mount, Blower, Left | | SRV430-1184 |

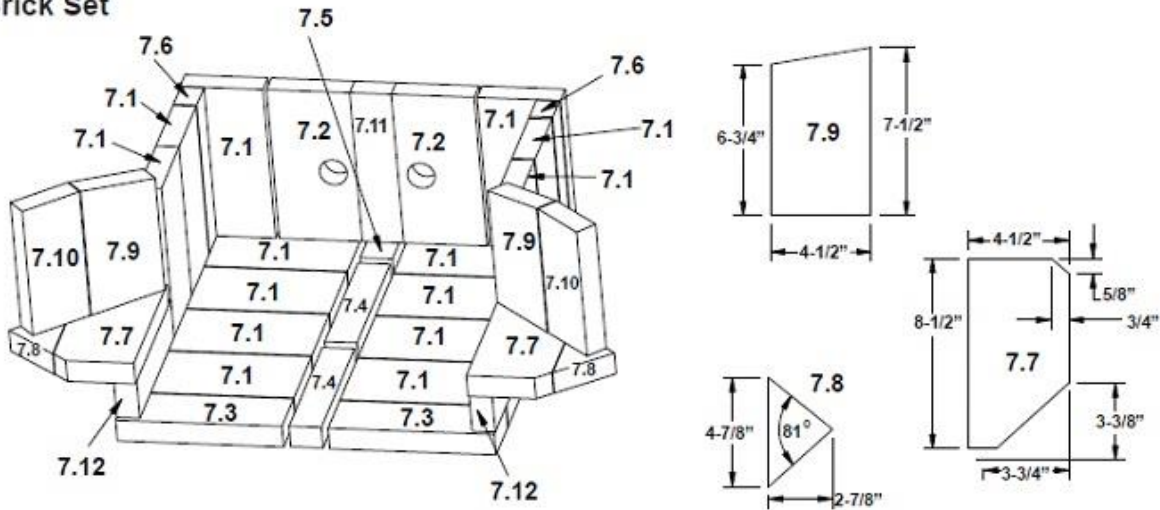
#4 Door assembly



| | | | |
|-----|--|---------------------|-------------|
| 4 | Door Assembly | Black | DR-27BK |
| | | No longer available | DR-27GD |
| | | No longer available | DR-27NL |
| 4.1 | Glass Frame Set | Qty: 4 Pc | |
| 4.2 | Cam Latch, Door Handle | | 430-1141 |
| 4.3 | Key, Cam Latch, Door handle | | 430-1151 |
| 4.4 | Washer, Sae, 3/8 (Door Handle) | Pkg of 3 | 832-0990 |
| 4.5 | Door Handle only | | 430-1131 |
| 4.6 | Spring Handle, 1/2" | Gold | 832-0620 |
| | | Nickel | 250-8330 |
| 4.7 | Trim Ring only, Door | No longer available | 430-2702 |
| | | No longer available | 430-5350 |
| 4.8 | Hinge Pins, 1/2" (Qty. 2 Req.) | Gold | 832-0250 |
| | | Nickel | 430-5320 |
| 4.9 | Door Glass Assembly | | 7000-011 |
| | Gasket, Glass Tape - Dealer Cut to Size | 5 Ft | 832-0460 |
| | Nut, Keps Lock, 8-32 | Pkg of 40 | 226-0060/40 |
| | Nut, Locking, Door Handle | Pkg of 24 | 226-0100/24 |
| | Rope, Door, 3/4" x 84", Dealer Cut to Size | 7 Ft | 832-1680 |
| | Door Handle Assembly | | 832-0540 |

| ITEM | DESCRIPTION | COMMENTS | PART NUMBER |
|------|----------------------------------|------------|-------------|
| 5 | Spring Handle, Air Control, 1/4" | Gold (2) | 832-0630 |
| | | Nickel (1) | 250-8340 |
| 6 | Manifold Tube Set | | TUBES-438 |
| | Manifold Clip/Screws | | 832-0661 |

#7 Brick Set



| | | | |
|------|----------------------------------|------------|-------------|
| 7 | Brick Assembly - Complete Set | Pkg of 34 | BRICK-438 |
| 7.1 | Brick, 9 x 4.5 x 1.25" | Qty 14 req | |
| 7.2 | Brick, 9 x 4.5 x 1.25" with hole | Pkg of 2 | SRV436-0380 |
| 7.3 | Brick, 9 x 3 x 1.25" | Qty 2 req | |
| 7.4 | Brick, 8.5 x 1.75 x 1.25" | Qty 2 req | |
| 7.5 | Brick, 3 x 1.75 x 1.25" | Qty 1 req | |
| 7.6 | Brick, 9 x 2 x 1.25" | Qty 2 req | |
| 7.7 | Brick, see diagram above | Qty 2 req | |
| 7.8 | Brick, see diagram above | Qty 2 req | |
| 7.9 | Brick, see diagram above | Qty 2 req | |
| 7.10 | Brick, 7.5 x 3.5 x 1.25" | Qty 2 req | |
| 7.11 | Brick, 9 x 2.25 x 1.25" | Qty 1 req | |
| 7.12 | Brick, 8.75 x 2.25 x 1.25" | Qty 2 req | |
| | Brick, Uncut | Pkg of 1 | 832-0550 |
| | | Pkg of 6 | 832-3040 |
| 8 | Grill Assembly, Complete Set | Gold | 832-3100 |
| | | Nickel | 832-3100NL |
| 9 | Switch, Rocker | | 230-0730 |

Woodman's Parts Plus
www.woodmanspartsplus.com

| ITEM | DESCRIPTION | COMMENTS | PART NUMBER |
|------|---|-----------------------|-------------|
| 10 | Knob, Speed Control | Knob Only | 200-2041 |
| | Blower Cord Only | | 832-2410 |
| | Grill Panel Assembly | Frame Only | SRV438-5610 |
| | Louver Assembly Only | Gold | 438-5480 |
| | | Nickel | 438-5530 |
| | Louver, Single | Black | 430-3770 |
| | | Gold | 430-3830 |
| | | Nickel | 430-5460 |
| | Nut, Keps Lock, 8-32 | Pkg of 40 | 226-0060/40 |
| | Screw, Pan Head Philips 8-32 X 3/8 | Pkg of 40 | 225-0500/40 |
| | Screw, Sheet Metal #8 X 1/2 S-Grip | Pkg of 40 | 12460/40 |
| | Snap Disc | | SRV230-0960 |
| | Speed Control Only (Rheostat) | | 842-0370 |
| | Wire Harness | | 832-3270 |
| 11 | Window Assembly, Side - Glass, Trim & Frame | No longer available | 438-5440 |
| | | No longer available | 438-5560 |
| | Bolt, Window Frame | Pkg of 4 | 812-2350 |
| | Glass, Window, Lt/Rt Interchangeable | Qty: 1 pc | 832-2000 |
| | Nut, Keps Lock, 8-32 | Pkg of 40 | 226-0060/40 |
| | Trim Ring, Window | Gold | 430-2721 |
| | | Nickel | 430-5360 |
| 12 | Blower, Rodale, Lt/Rt Interchangeable | Qty: 1 pc | 832-3190 |
| 13 | Mount, Blower, Right | | SRV430-1194 |
| 14 | Outside Air Cover Plate | | 430-2480 |
| 15 | Flue Tab | | 438-0010 |
| | Component Pack (Includes Owners Manual, Warranty Card, Touch-Up Paint, Spring Handle 1/2", (2) 1/4" Spring Handles, 2 Leveling Bolts, 2 Consumer Cards, Epa & Sales Efficiency Cards, "If Fireplace Altered" Label) | For Gold Trim Units | 438-5510 |
| | | For Nickel Trim Units | 438-5570 |
| | Spring Handle, 1/2" | Gold | 832-0620 |
| | | Nickel | 250-8330 |
| | Spring Handle, 1/4" | Gold | 832-0630 |
| | | Nickel | 250-8340 |
| | Paint Touch-Up | | 812-0910 |
| | Rear Channel, Outside Air Kit | | 436-7020 |
| | Upgrade, Door, Nickel - Spring Handles, Hinge Pins & Logo | | UK-DRNL |

Woodman's Parts Plus
www.woodmanspartsplus.com

| ITEM | DESCRIPTION | COMMENTS | PART NUMBER |
|--------------------|--|-------------|---------------|
| ACCESSORIES | | | |
| | Adjustable Hearth Support - 12 in x 50 in, 2-10" H | | ADJSPT-12 |
| | Mantle Deflector, 8 Inch | | 831-1530 |
| | Offset Adapter | | 831-0182 |
| | Panel & Gold Trim, Ots - 51 in. W x 34 in. H | | 831-1461 |
| | Component Pack Assembly | | 436-5130 |
| | Logo, Quadra-Fire | Pkg of 10 | 7000-649/10 |
| | Trim Set Only | Gold Trim | 832-2240 |
| | Panel & Gold Trim, Std - 47 in. W x 31.5 H | | 831-1452 |
| | Component Pack Assembly | | 436-5130 |
| | Logo, Quadra-Fire | Pkg of 10 | 7000-649/10 |
| | Trim Set Only | Gold Trim | 832-2151 |
| | Panel & Nickel Trim, Ots - 51 in. W x 34 in. H | | SP-51L-NL |
| | Component Pack Assembly | | 436-5130 |
| | Logo, Quadra-Fire | Pkg of 10 | 7000-649/10 |
| | Trim Set Only | Nickel Trim | 430-5420 |
| | Panel & Nickel Trim, Std - 47 in. W x 31.5 H | | SP-51S-NL |
| | Component Pack Assembly | | 436-5130 |
| | Logo, Quadra-Fire | Pkg of 10 | 7000-649/10 |
| | Trim Set Only | Nickel Trim | 430-5410 |
| | | | |
| | | | |
| | | | |
| | | | |
| | | | |
| | | | |
| | | | |
| | | | |
| | | | |
| | | | |
| | | | |
| | | | |
| | | | |
| | | | |
| | | | |
| | | | |
| FASTENERS | | | |
| | Avk Rivnut Repair Kit - 1/4-20 & 3/8-16 Rivnut Tools | | RIVNUT-REPAIR |
| | Screw, Machine Screw 1/4-20 X 5/8 | Pkg of 24 | 220-0440/24 |
| | Screw, Shc 5/16-18 X 1/2, 18-8S | Pkg of 10 | 220-0170/10 |
| | | | |
| | | | |
| | | | |