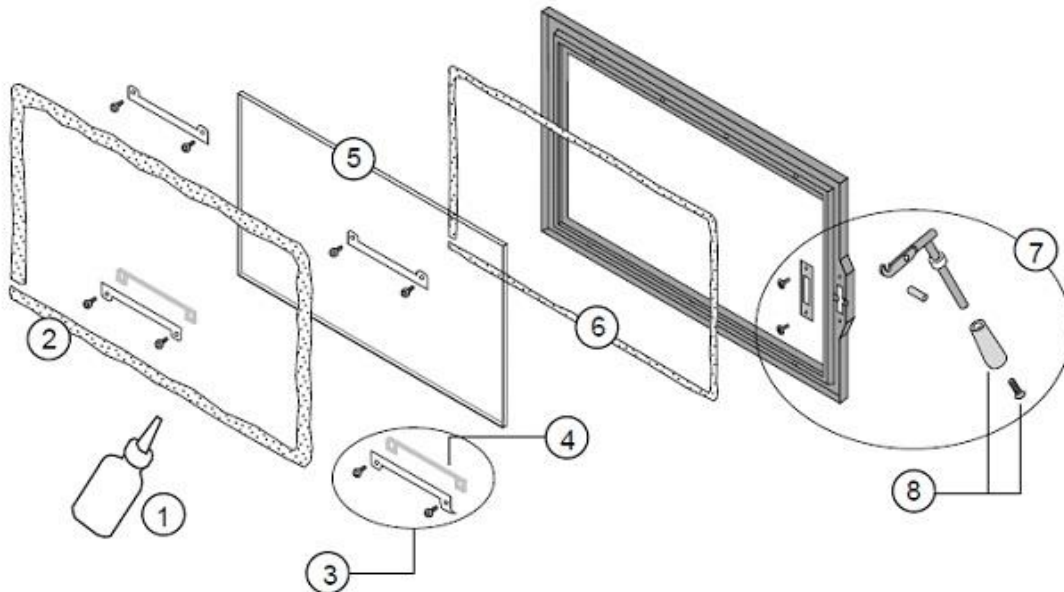
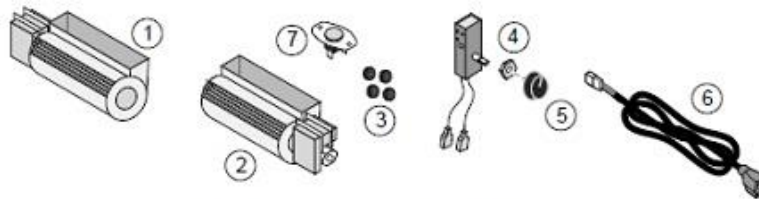


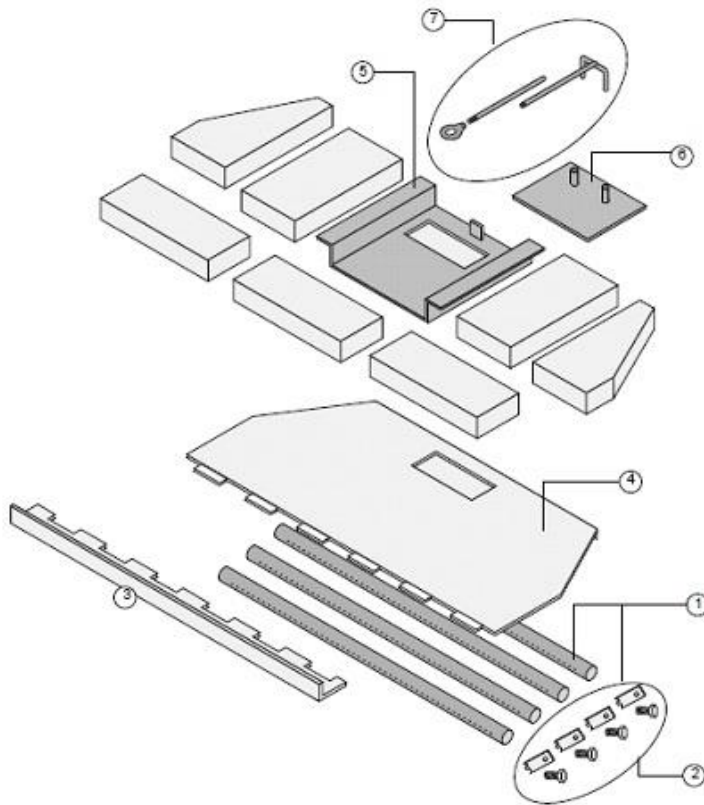
Declaration Flush Plus Arched Insert



ID #	Description	Qty	Part #	ID #	Description	Qty	Part #
1	Gasket Cement, 4 oz	1	99900427	2	Door Gasket, 3/8" x 70"	1	99900429
3	(4) Clips w Screws, Gaskets - Rect	1	250-02191	4	(2) Clip Gaskets	1	250-02194
	(4) Clips w Screws, Gaskets - Arched	1	250-02193	6	Glass Gasket (1/4" X 65")	1	250-02184
5	Glass (w Gasket) - Rectangle	1	250-02183	8	Wood Handle w Screw	1	250-01305
	Glass (w Gasket) - Arched	1	250-02195				
7	Handle Assembly	1	250-02196				



ID #	Description	Qty	Part #	ID #	Description	Qty	Part #
1	Left Blower	1	228-10069	2	Right Blower	1	228-10070
3	(4) Blower Grommets w Spacers	1	250-00369	4	Rheostat	1	250-00302
5	Rheostat Knob w Nut	1	250-00869	6	Power Cord	1	250-00316
7	Thermodisk	1	228-30050				

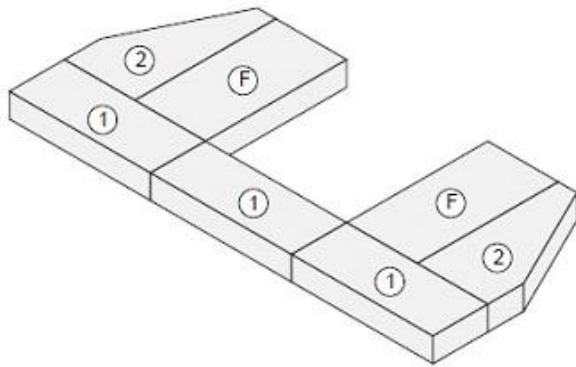


Baffle Parts

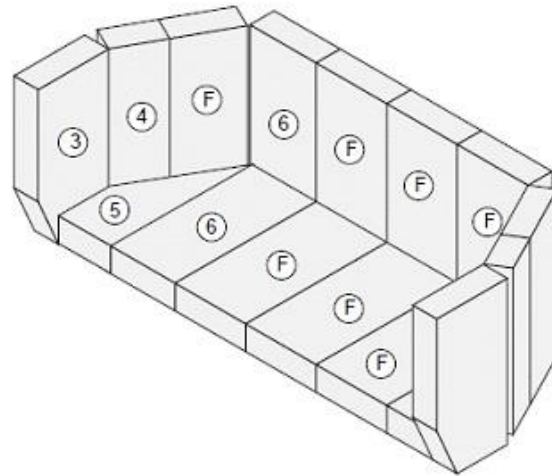
ID #	Description	Qty	Part #	ID #	Description	Qty	Part #
1	Sec. Air Tubes w Pins (all 4) L-24	1	98900243	2	Air Tube Pin (w Screw)	4	250-02186
3	Baffle Front	1	250-02187	4	Baffle Plate	1	250-02188
5	Bypass Plate	1	221-12120	6	Bypass Slider	1	221-12122
7	Damper Yoke	1	250-02189			1	

Brick Removal & Replacement

Baffle Brick



Floor and Side Brick



NOTE: "F" Denotes Full Size Brick (4-1/2" x 9")

ID #	Description	Qty	Part #	ID #	Description	Qty	Part #
1	Brick - Cut 9" x 2.75"	3	251-00068	2	Brick - Cut 9" x 4.5" x 2.375"	2	251-00064
3	Brick - Cut 9" x 4.5" x 2.34"	2	251-00067	4	Brick - Cut 9" x 2.75"	2	251-00068
5	Brick - Cut 8" x 3.5" x 2.125"	2	251-00066	6	Brick - Cut 9" x 3.5"	2	251-00015
F	Brick - Full Size 9" x 4.5"	10	251-00000				