

REPLACEMENT PARTS

FOR (OPTIONAL) HEAT SHIELD MODEL 19HS

Always include correct name, part number, and model number of the heater when ordering service parts.

| KEY# | PART DESCRIPTION | PART NUMBER |
|------|---|--------------|
| 1. | BLOWER Rating: .120 volts/60HZ/ .54 Amps | PE-A2-40-01. |
| 2. | 110 THERMOSTAT | PE 400132 |
| 3. | CHROME SHIELD | PO HS14 |
| 4. | POWER CORD | PE 400240 |

REPLACEMENT LOGS

| PART DESCRIPTION | PART NUMBER |
|------------------------------|--------------|
| DX18 LOGS FOR 18" BASE | #PO18DXLOG |
| CR18 LOGS FOR 18" BASE | #POCR18MVLOG |
| DX24 LOGS FOR 24" BASE | #PO24DXLOG |
| CR24 LOGS FOR 24" BASE | #POCR24MVLOG |
| CR30 LOGS FOR 24" BASE | #POCR30LOG |
| ASPAN LOGS FOR 24" BASE | #POASPEN |
| MOUNTAINER LOGS FOR 24" BASE | #PO24MTLOG |

REPLACEMENT PARTS

SIT MILLIVOLT VALVE 18", 24: BASE FOR LOG SETS

A parts list with exploded view follows. Always include correct name, part number and model number of the heater when ordering service parts.

| KEY# | PART DESCRIPTION | PART NUMBER |
|------|-------------------------------------|--------------------------------------|
| 1. | O.D.S. PILOT (L.P.) O.P. ASSEMBLY | PE 8404C |
| 1. | O.D.S. PILOT (NAT) O.P. ASSEMBLY | PE 8204C |
| 2. | PILOT TUBE 12" | MF 31612 ALMTUB |
| 3. | "H" BURNER 18" | PO H-BURN001 |
| | 24" | PO 24H-BURN |
| | 30" | PO 24H-BURN |
| 4. | INLET ELBOW | |
| 5. | 3/8" COMP. NUT & SLEEVE | PH 616 & PH 606 |
| 6. | 3/8" BURNER SUPPLY TUBE | |
| | DX18MV - 3 pieces 6" | PO T6-06 |
| | DX24MV & DX30MV - 1 piece 12" | PO T6-12 |
| | - 2 pieces 6" | PO T6-06 |
| 7. | 12" SWITCH WIRES | PE 12JUMPER |
| 8. | CARLING SWITCH (AUTO/OFF/MANUAL) | PE RC211RB |
| 9. | PIEZO STRIKER | PE 124461 |
| 10. | PIEZO 14" IGNITOR WIRE | PE UL3573 |
| 11. | MALE RUN TEE FITTING | PH 64A-66 |
| 12. | MANIFOLD OUTLET CONNECTOR | PH 68A-6C |
| 13. | ORIFICES <u>L.P. 18" 24"-30"</u> | |
| | REAR #54 #53 | PO 54 & 53 MVORF |
| | FRONT #60 #60 | PO 60 & 60 MVORF |
| | <u>NATURAL 18" 24"-30"</u> | |
| | REAR #44 #41 | PO 44 & 41 MVORF |
| | FRONT #53 #51 | PO 53 & 51 MVORF |
| 14. | 820 mv. S.I.T. VALVE | LP - #PE 820636 NAT - #PE 0820638 |

COMPLETE BURNER BASE ASSEMBLY

18" BURNER BASE:

L.P. - #MADX18MVBALP
NAT - #MADX18MVBALP

24" AND 30" BURNER BASE

L.P. - #MADX24MVLPL
NAT - #MADX24MVNAT

SIT MILLIVOLT VALVE 18", 24: BASE

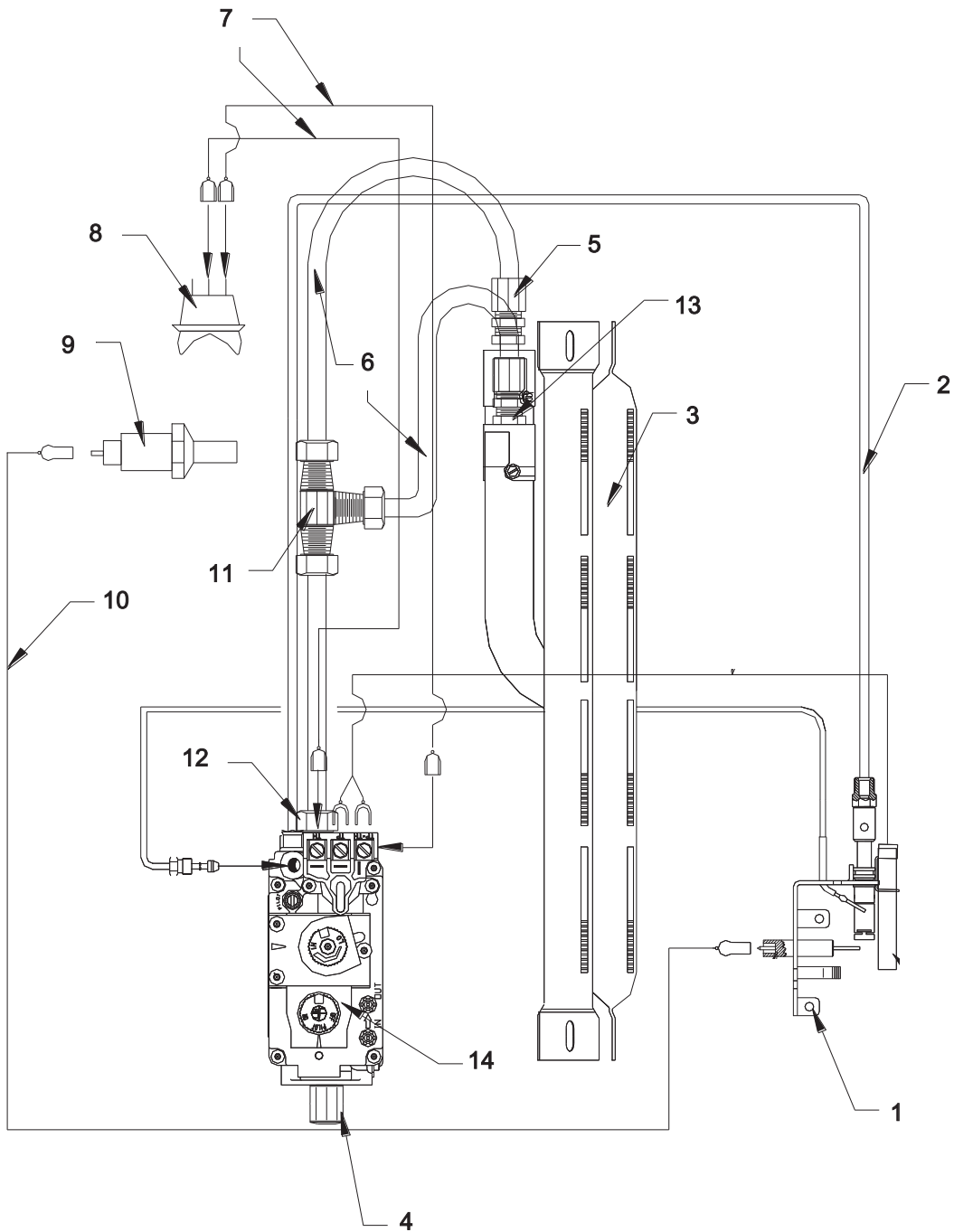


Figure 12

REPLACEMENT PARTS

SIT MODULATING OR SIT MANUAL VALVE 18",24" BASE FOR LOG SETS

| | PART DESCRIPTION | PART NUMBER |
|-----|---|-------------------------------------|
| 1. | O.D.S. PILOT ASSEMBLY- (LP) | PE 8402 |
| 1. | O.D.S. PILOT ASSEMBLY- (NAT) | PE 8251 |
| 2. | PILOT TUBE 1/4" x 6" | MF 146ALMTUB |
| 2. | PILOT TUBE 3/16" | MF 3161ALMTUB |
| 3. | "H" BURNER 18" | PO H-BURN001 |
| | 24" | PO 24H-BURN |
| | 30" | PO 24H-BURN |
| 4. | INLET ELBOW | |
| 5. | 3/8" COMP. NUT & SLEEVE | PH 616 & PH 606 |
| 6. | 3/8" BURNER SUPPLY TUBE | |
| | DX18MV - 3 pieces 6" | PO T6-06 |
| | DX24MV & DX30MV - 1 piece 12" | PO T6-12 |
| | - 2 pieces 6" | PO T6-06 |
| | PE 12JUMPER | |
| 7. | MALE RUN TEE FITTING | PH 64A-66 |
| 8. | THERMO-COUPLE | |
| 9. | MANIFOLD OUTLET CONNECTOR | PH 68A-6C |
| 10. | ORIFICES <u>L.P.</u> 18" 24"-30" | |
| | REAR #54 #53 | PO 54 & 53 MVORF |
| | FRONT #60 #60 | PO 60 & 60 MVORF |
| | <u>NATURAL</u> 18" 24"-30" | |
| | REAR #44 #41 | PO 44 & 41 MVORF |
| | FRONT #53 #51 | PO 53 & 51 MVORF |
| 11. | 630 mv. S.I.T. VALVE | LP - PE 0630504 NAT - PE 0630504 |
| | | (MUST SPECIFY LP. OR NAT.) |
| 11. | (SIT) MANUAL VALVE | PE 0630522 |

COMPLETE BURNER BASE ASSEMBLY

18" BURNER BASE:

L.P. - #MADX18MODBALP
NAT - #MADX18MODLP

24" AND 30" BURNER BASE

L.P. - #MADX24MODBALP
NAT - #MADX24MODBANAT
#PACR30FRONTLOGBRCK

30" FRONT LOG BRACKET

SIT MODULATING OR SIT MANUAL VALVE 18",24" BASE

