

---

---

**OPTIONAL PARTS NOT PROVIDED WITH CR8T LOG SET**

<b>PART#</b>	<b>DESCRIPTION</b>
MAPSFPC	CANOPY (HOOD)
MA19HS	19HS (HEAT SHIELD)

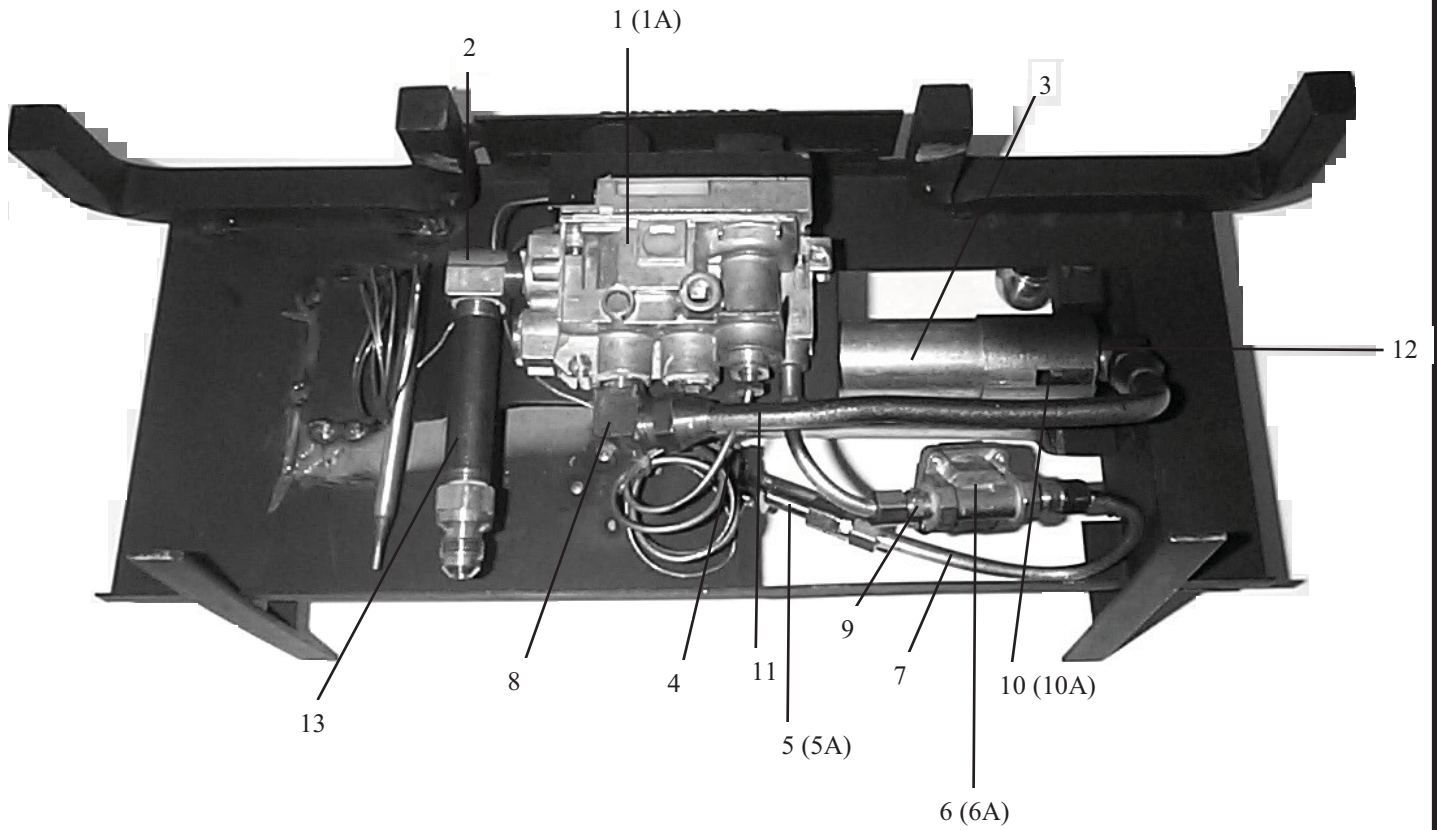
**NOTE:** CANOPY and 19HS are sold separately. They can be purchased from your local dealer or from the factory. Instructions for the Canopy and 19HS are provided when purchased.

# PARTS LIST

## Maxitrol Valve

KEY#	PART#	DESCRIPTION	QTY
1	PE GV30B5A2N7B	Maxitrol Nat. Valve	1
1A	PE GV30B5A2L7B	Maxitrol LP Valve	1
2	PH 4966	3/8" - 3/8" Elbow	1
3	PO TBURN	Single Burner	1
4	PE TPT100/433	Thermocouple (Copreci)	1
5	PE 2150053	Copreci ODS Nat. Pilot	1
5A	PE 2150054	Copreci ODS LP Pilot	1
6	PE RV12LF30	Pilot Regulator—Nat.	1
6A	PE RV12LF90	Pilot Regulator—LP	1
7	RF 14ALMTUB	1/4" Aluminum Tubing	1
8	PH 1166	3/8" Street Elbow	1
9	PH 6842	1/4" - 1/8" Compression Adapter	1
10	PO 42ORF	Nat. Orifice	1
10A	PO 54ORF	LP. Orifice	1
11	PO 389ALMTUB	3/8" x 9" Aluminum Supply Tube	1
12	PO 54ORFHLD	Angled Orifice Holder	1
13	PO 38312BINIP	3/8" x 3-1/2" Black Pipe	1

*Note: Refer To Figure 9 On Next Page*



**FIGURE 9**

## BASE IDENTIFICATION

- (1) Brass Knobs
- (2) Right Burner Support
- (3) Air Adjustment Shutter
- (4) Access Door
- (5) Front Log Support
- (6) Rear Log Holder
- (7) Igniter Control And Pilot Control
- (8) Flame Adjustment Control
- (9) Mertik Valve
- (10) Left Burner Support
- (11) Burner
- (12) Buck Stove Logo

