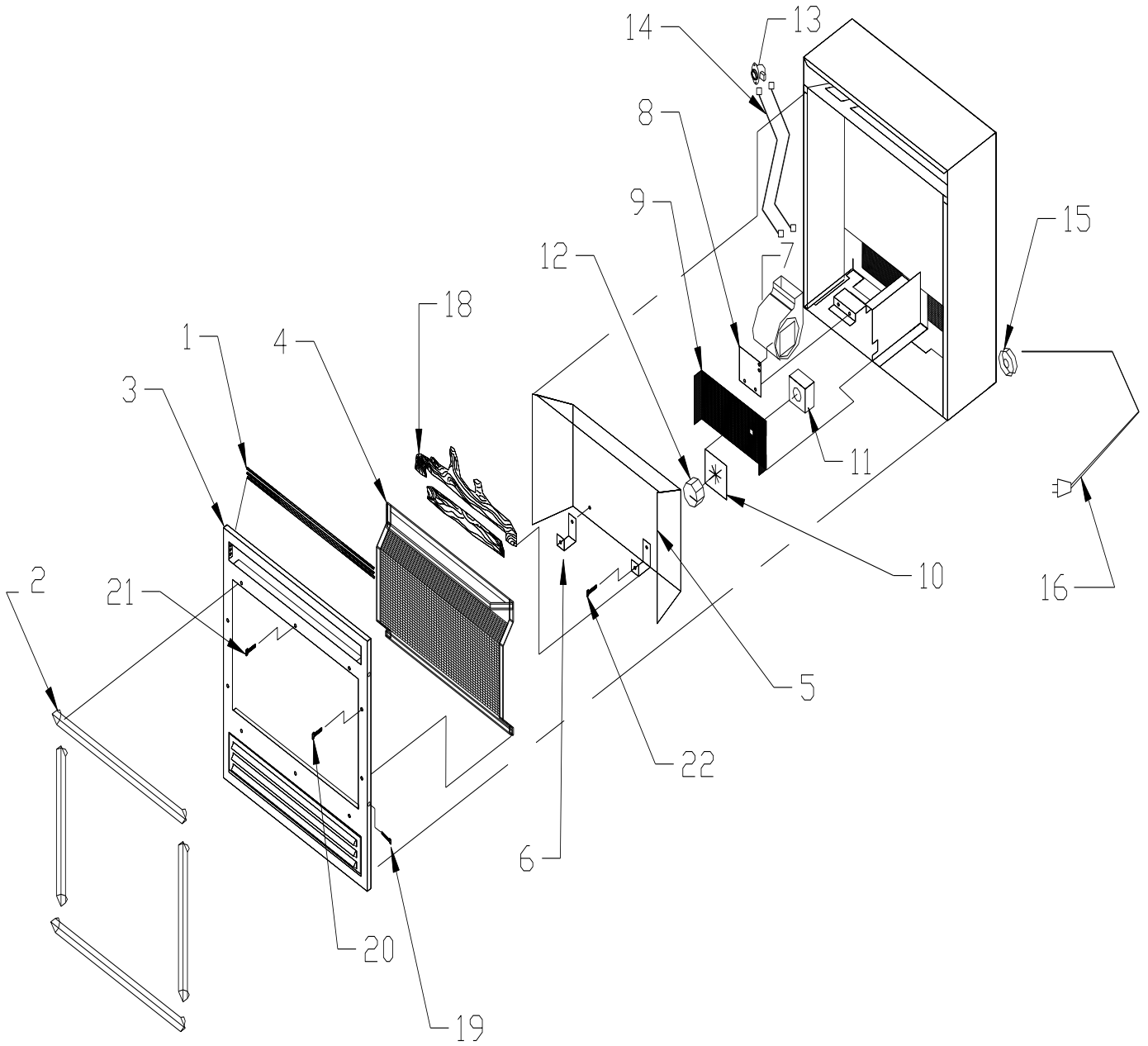


PARTS LIST

KEY NO.	PART NUMBER	DESCRIPTION	QUANTITY
1	MF 112738	VENT ROD	3
2	PO 1127IM	BRASS TRIM	4
3	PO PNPSNH50JT	FRONT	1
4	MA 1127SC	FRONT SCREEN	1
5	PO 112706	INNER SHIELD CHROME	1
6	MF 112782	LOG HOLDER	2
7	A2-40-01	FAN MOTOR	1
8	PS 112724	MOTOR BRACE	1
9	PS 112740	SCREEN MOTOR COVER	1
10	PE KB9724	FAN SPEED CONTROL LABEL	1
11	PE BC204	RHEOSTAT	1
12	PE BC204A	RHEOSTAT KNOB	1
13	PE 400132	110 DEG. DISC THERMOSTAT	1
14	PE 30JUMPER	THERMO JUMPER WIRE	2
15	PE 400320	STRAIN RELIEF	1
16	PE 400240	POWER CORD	1
17	PO 22GAJ1712	BRASS COVER DOOR LOUVER	3
18	PO WALLMT	LOG SET	1
19	PH 101612PHPTEK	SCREW, #10 x 1/2" PAN	2
20	PH101634TEK	SCREW, #10 x 3/4" HEX	2
21	PH 103212HWSPS5	SCREW, #10 x 1/2" HEX	6
22	PH 6114DWPILSC	DRYWALL SCREW, 6" x 1 1/2"	2
23	PO 112772	SWITCH HOLDER	1
24	PO TBURN	SINGLE BURNER	1

BLOWN UP VIEW OF HEATER, FAN MOTOR AND ALL REMOVABLE PARTS



PARTS LIST
MAXITROL VALVE
BURNER SYSTEM

KEY NO.	PART NUMBER	DESCRIPTION	QUANTITY
1	PE GV30B5A2L7B	MAXITROL LP VALVE	1
1A	PE GV30B5A2N7B	MAXITROL NATURAL VALVE	1
2	PE 4966	3/8" - 3/8" ELBOW	1
3	PS 112736	MAXITROL REGULATOR HOLDER	1
4	PS 112716	M1127 INNER BOTTOM	1
5	PO TBURN	SINGLE BURNER	1
6	PE TPT100/433	THERMOCOUPLE (COPRECI)	1
7	PE 2150053	COPRECI ODS NAT PILOT	1
7A	PE 2150054	COPRECI ODS LP PILOT	1
8	PE RV12LF30	MAXITROL REGULATOR-NAT	1
8A	PE RV12LF90	MAXITROL REGULATOR-LP	1
9	RF 14ALMTUB	1/4" ALUMINUM TUBING	1
10	PH 1166 1	3/8" STREET ELBOW	
11	PE 6482	1/4" - 1/8" COMPRESSION ADAPTER	2
12	PO ORIFICE	ORIFICE NATURAL OR LP	1
13	PS 112726	M1127 BURNER SUPPORTS	2
14	PO 38634ALMTUB	3/8" x 6 - 3/4" BURNER TUBE	1
15	PO 54ORFHLD	ANGLED ORIFICE HOLDER	1

