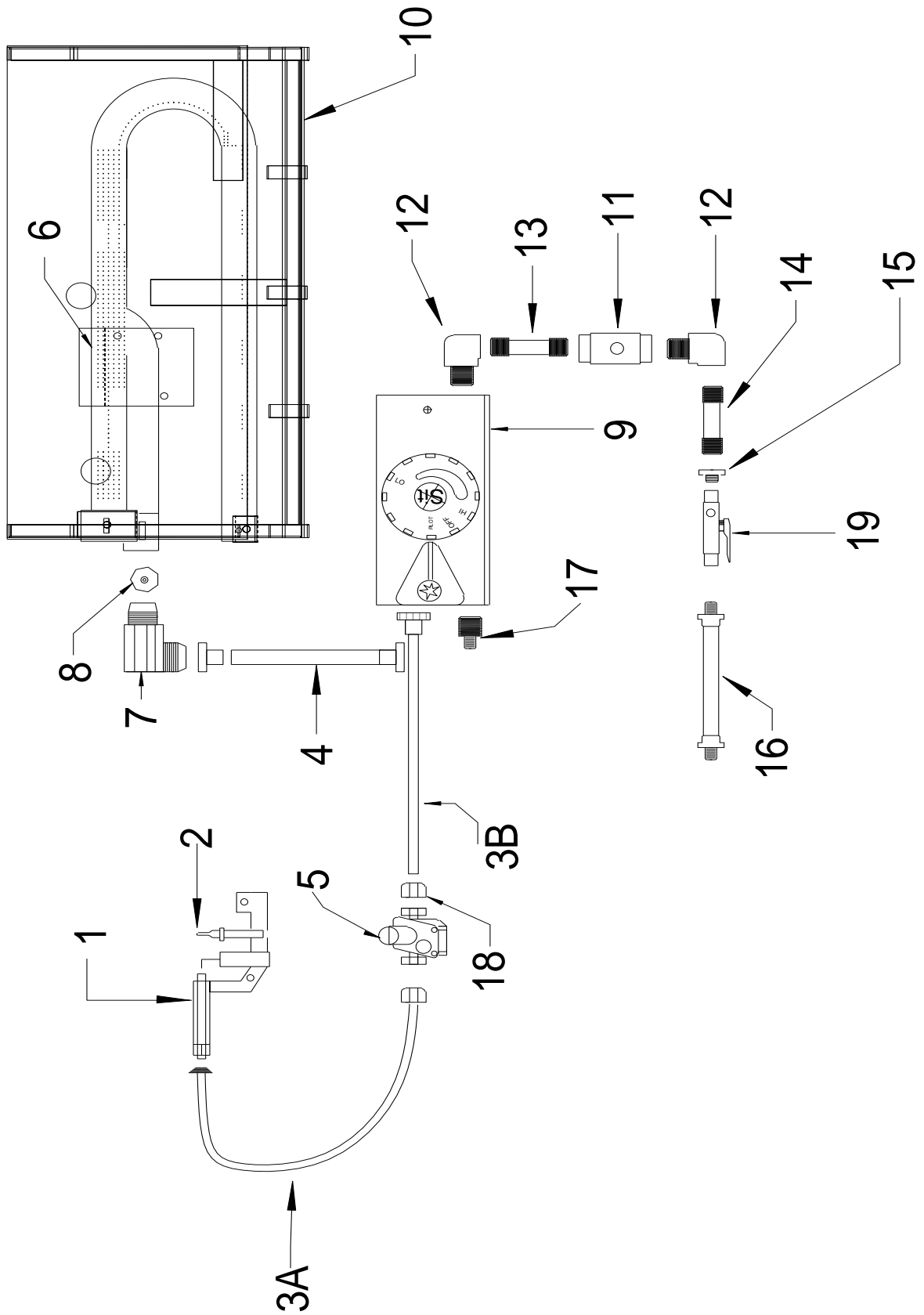


REPLACEMENT PARTS

SIT MODULATING OR SIT MANUAL 19GL BASE

KEY#	PART DESCRIPTION	PART NUMBER
1.	Pilot (NAT.) Copreci	PE 2150053 - NAT
1.	Pilot (LP) Copreci	PE 2150054 - LP
2.	Thermocouple (Copreci)	PE TPT100 / 90
3a.	Pilot Tube 1/4"	MF 147AL
3b.	Pilot Tube 1/4"	MF 147AL
4.	Burner Tube 3/8"	PO 38812ALMTUB
5.	Pilot Regulator (LP) Maxitrol	PE RV 12LF90
5.	Pilot Regulator (NAT.) Maxitrol	PE RV 12LF30
6.	Burner Tube	PO DTBURN
7.	Orifice Holder	PO 54ORFHLD
8.	Orifice	PO ORIFICE
9.	Valve (LP) MOD. SIT	PE 0630504
9.	Valve (NAT.) MOD. SIT	PE 0630504
9.	Valve (LP) MANUAL SIT	PE 0630522
9.	Valve (NAT.) MANUAL SIT	PE 0630522
10.	Burner Base	PS NV0000
11.	Valve Regulator (LP) Maxitrol	PE RV20LF90
11.	Valve Regulator (NAT.) Maxitrol	PE RV20LF35
Black Pipe:		
12.	Brass 90 degree street elbow	PH 1166
13.	3/8" x 1-1/2" Nipples (1)	PO 382BINIP
14.	3/8" x 5" Nipples (1)	PO 385BINIP
15.	Brass Pipe Bushing	PH 11086
16.	1/2" x 12" Gas Connector	PO 20-2131-12
17.	3/8" Straight to 3/8" Flare Connector	PH 4866
18.	1/8" x 1/4" Compression Adaptor	PH 6842
19.	Gas Ball Valve	PO 110-553
OTHER PARTS (NOT SHOWN)		
20.	Blower Motor	PE SBR084
21.	Power Cord	PE 400240
22.	Strain Release	PE 400320
23.	Thermostat	PE 400130
24.	Male Terminals	PE 5X428
25.	Jumper Wire 12"	PE 12JUMPER
26.	Gas Log Set	PO CR34LOG
27.	Fan Speed Control Label	PE KB9724
28.	Rheostat	PE BC204
29.	Rheostat Knob	PE BC204A
30.	Heyco 1-1/4" Grommet	PO HEYCO 2883

SIT MODULATING OR SIT MANUAL 19GL BASE



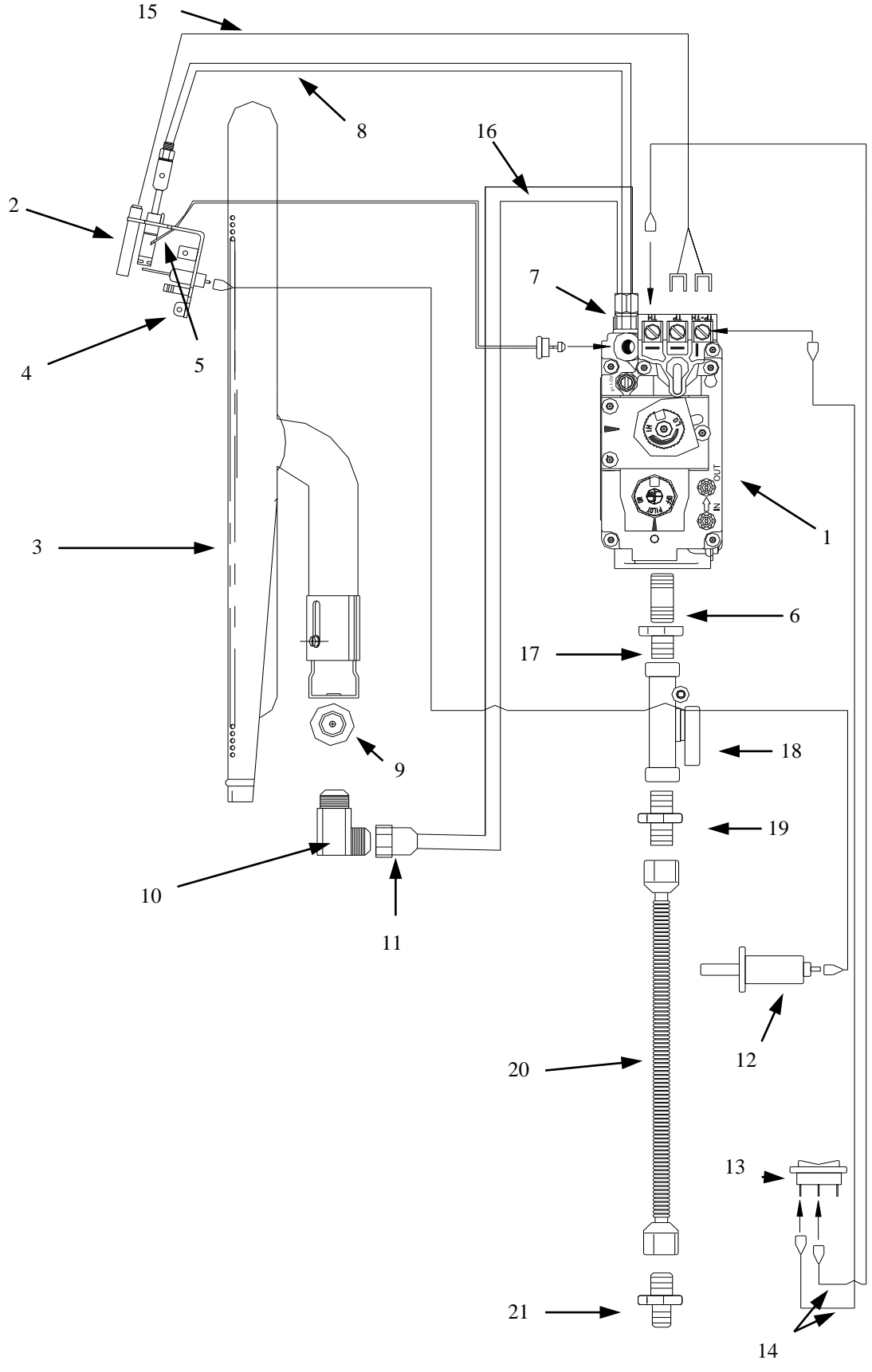
REPLACEMENT PARTS
SIT MILLIVOLT VALVE 19GL BASE

KEY#	PART DESCRIPTION	PART NUMBER
1.	820 MV. S.I.T. Valve (LP)	LP-PE 820636
1.	820 MV. S.I.T. Valve (NAT)	NAT- PE 820637
2.	Generator	(Pilot Assembly)
3.	Burner Tube	PO DTBURN
4.	O.D.S. Pilot O.P. Assembly (LP)	PE 8404C
4.	O.D.S. Pilot O.P. Assembly (NAT)	PE 8204C
5.	Thermo-Couple	(Pilot Assembly)
6.	2"-3/8" Blackiron Nipple	PO 382BINIP
7.	Burner Supply Line Elbow	PH4966
8.	21" Pilot Tube 3/16"	MF 31621ALMTUB
9.	Orifice	PO ORIFICE
10.	Orifice Holder	PO 54ORFHLD
11.	3/8" Nut & Sleeve	PH 616 & PH 606
12.	Piezo Striker	PE 124461
13.	Carling Switch (Auto/Off/Manual)	PE RC211RB
14.	12" Switch Wires	PE 12 JUMPER
15.	12" Generator Wire	(Pilot Assembly)
16.	14-3/4" x 3/8" Burner Supply Tube	PO 381434ALMTUB
17.	3/8" FIP to 1/2" MPT Pipe Bushing	PH 11086
18.	1/2" Ball Valve with Pressure Tap	PO 110-553
19.	1/2" Flare to 1/2" Straight	(Flex Line Assembly)
20.	1/2" Flex Line	PO 20-213-12
21.	1/2" Flare to 3/8" Flare	PH 4286

OTHER PARTS (NOT SHOWN)

22.	Blower Motor	PE SBR084
23.	Power Cord	PE 400240
24.	Strain Release	PE 400320
25.	Thermostat	PE 400130
26.	Male Terminals	PE 5X428
27.	Jumper Wire 12"	PE 12JUMPER
28.	Gas Log Set	PO CR34LOG
29.	Fan Speed Control Label	PE KB9724
30.	Rheostat	PE BC204
31.	Rheostat Knob	PE BC204A
32.	Heyco 1-1/4" Grommet	PO HEYCO 2883

SIT MILLIVOLT VALVE 19GL BASE



REPLACEMENT PARTS

SIT MILLIVOLT VALVE ESB BASE

A parts list with exploded view follows. Always include correct name, part number and model number of the heater when ordering service parts.

KEY#	PART DESCRIPTION	PART NUMBER
1.	O.D.S. Pilot O.P. Assembly (LP)	PE 8404C
1.	O.D.S. Pilot O.P. Assembly (NAT)	PE 8204C
2.	Generator Assembly	(Pilot Assembly)
3.	Pilot Tube 3/16"	MF 31612 ALMTUB
4.	Generator Wire	(Pilot Assembly)
5.	Rear Burner	PO VE1002
5.	Front Burner	PO 383436
6.	Inlet Elbow	PH 4966
7.	3/8" Comp. Nut & Sleeve	PH 616 & PH 606
8.	3/8" Burner Supply Tube (Flex) - 3 pieces@12"	PO T6-12
9.	24" Switch Wires	PE 30JUMPER
10.	Carling Switch (Auto/Off/Manual)	PE RC211RB
11.	Piezo Striker	PE 124461
12.	Piezo 18" Ignitor Wire	PE 8400-014
13.	Male Run Tee Fitting	PH 64A-66
14.	Thermo-Couple	(Pilot Assembly)
15.	Manifold Outlet Connector	PH 68A-6C
16.	Orifices (LP) Front (#1.25mm)	PO 125 MVORF
	Rear (#.046")	PO 046 MVORF
16.	Orifices (NAT) Front (#2.05mm)	PO 205 MVORF
	Rear (#48)	PO 48 MVORF
17.	820 M.V. S.I.T. Valve (LP)	LP - PE 820-636
17.	820 M.V. S.I.T. Valve (NAT)	NAT - PE 820-637
18.	8" L 3/8" Burner Supply Line (3/4"-3/8" Flare & 3/8" Comp. N&S Fittings)	MF382ALMTUB

*

Log Set —

Ember Stove Base (Ceramic)

SIT MILLIVOLT VALVE ESB BASE

