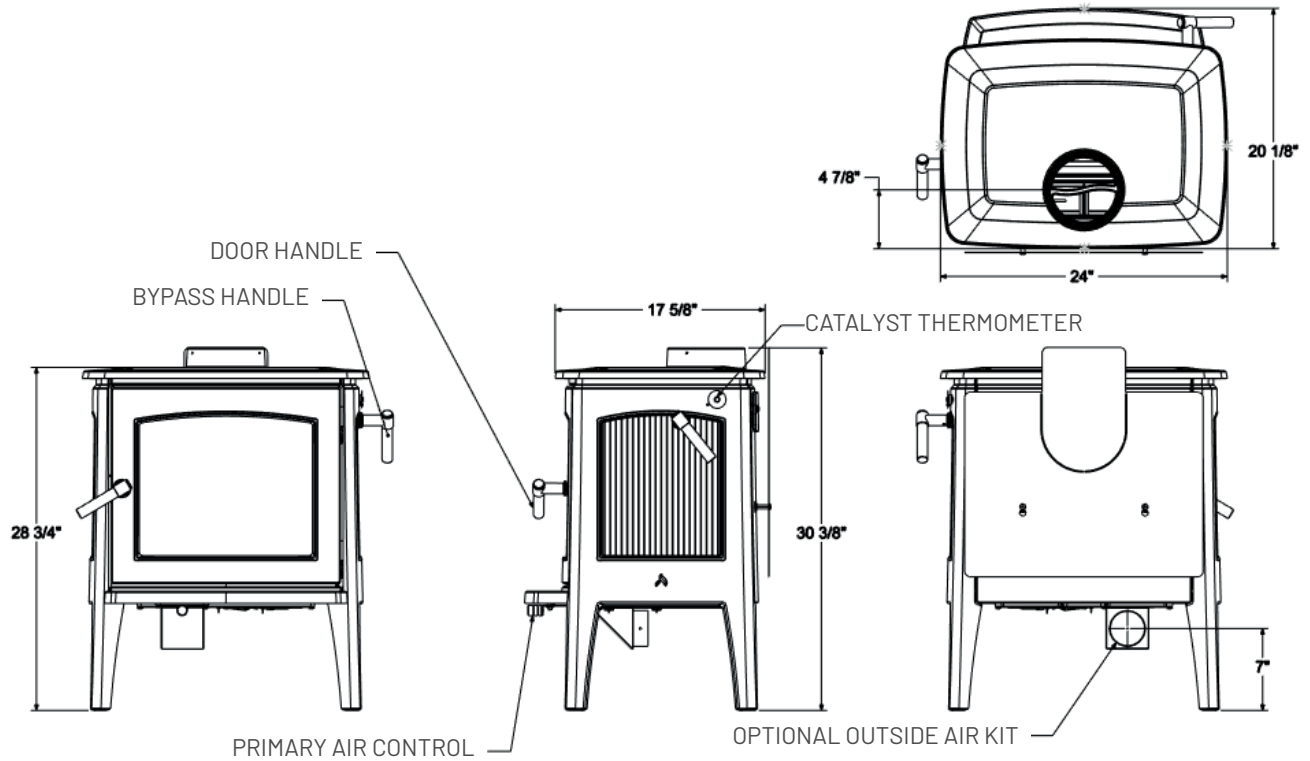




Model: Hipster® 14

Dimensions



BTU		FIREBOX		EFFICIENCIES			VENTING	
Cordwood	EPA	Cu. Ft	Log Length	g / hr	Optimal %	HHV	Type	Diameter
40,000	31.581	1.54	17"	1.07 g	82 %	79 %	Class A	6-inch

GLASS			DIMENSIONS			OPTIONAL BLOWER	
Type	Dimensions	Area sq in	Height	Depth	Width	Type	CFM
Ceramic	14.5" W X 11.7" H	170	30.38"	20.13"	24"	Variable speed and heat activated	150



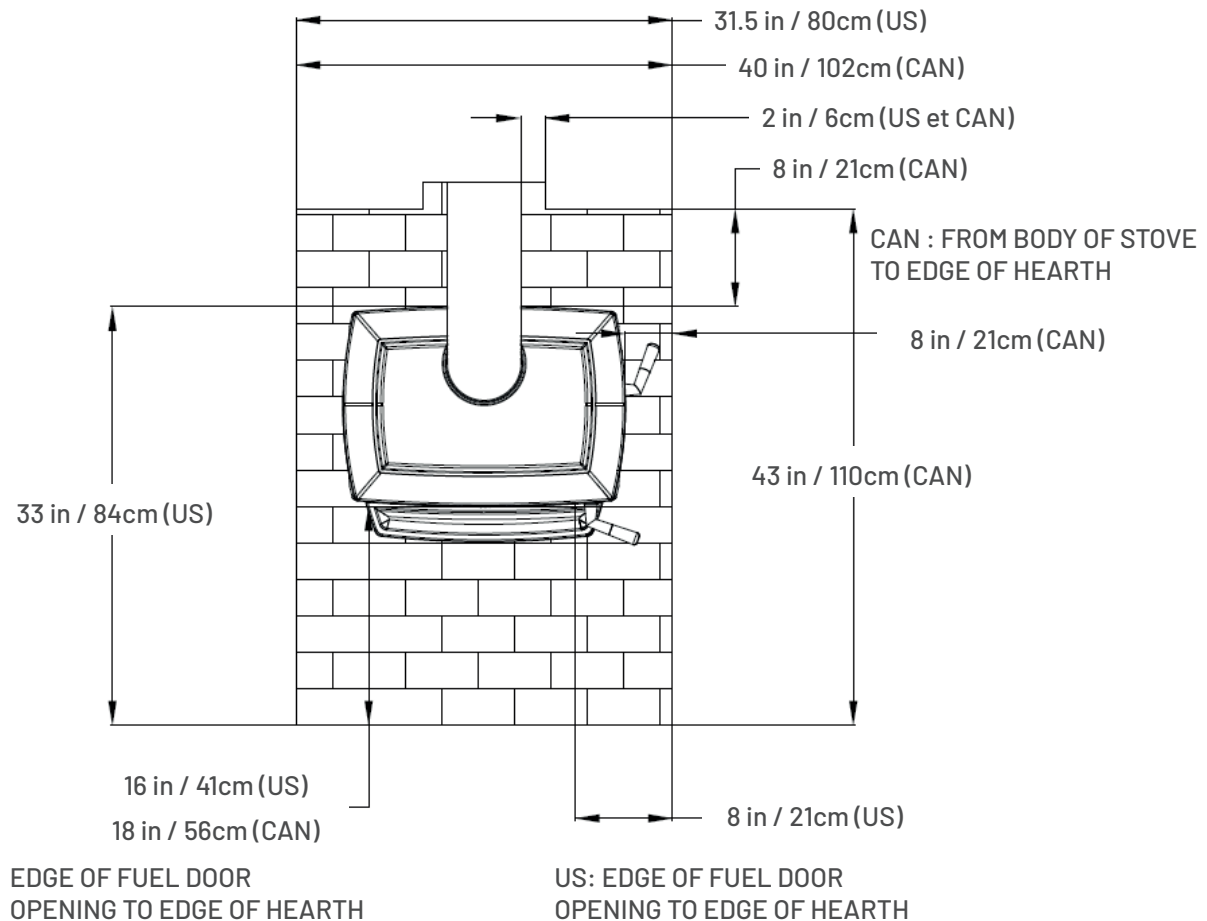
Model: Hipster® 14

Hearth Requirements & Floor Protection

Ensure you protect combustible flooring with a covering of noncombustible material. The Hipster® 14 does not require an insulated hearth pad. The minimum floor protection must be met under the stove and extend beyond the stove as follows:

The minimum floor protection for US installations is 33 in x 31.5 in.

The minimum floor protection for installations in Canada is 43 in x 40 in.





Model: Hipster® 14

Clearance to Combustibles

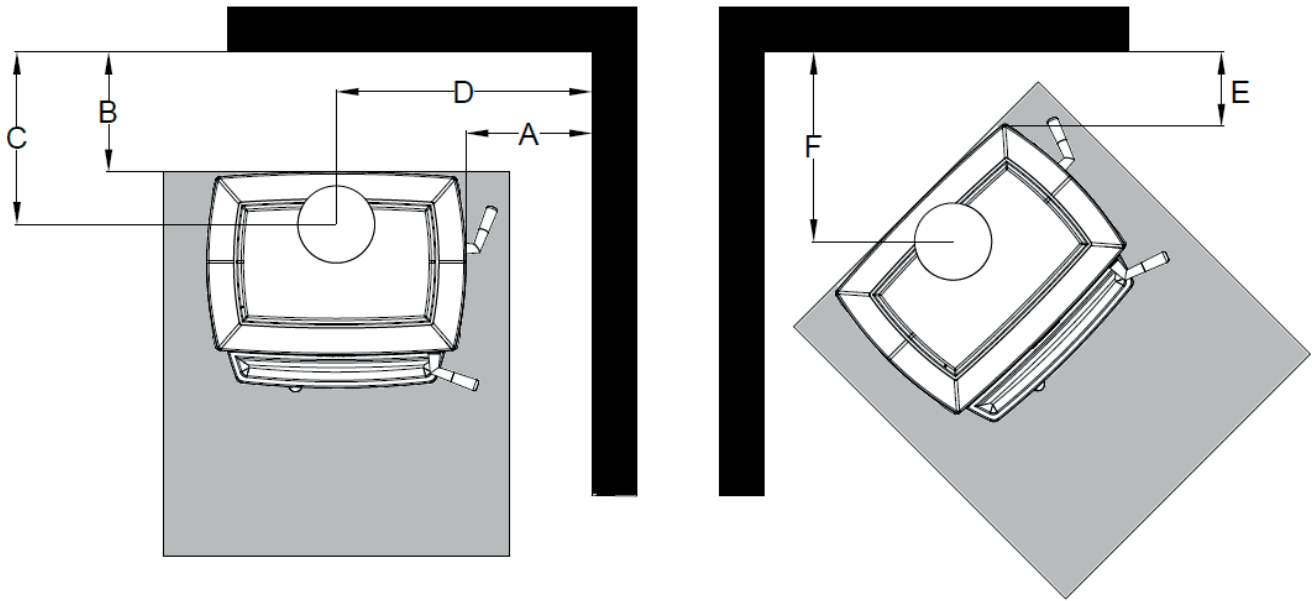


Figure 4 – Clearance to Combustibles

Clearances	Parallel				Corner	Corner
	A	B	C	D	E	F
Single wall Connector – Inc. Rear Heat Shield	14"-36cm	13.75"-35cm	18.625"-47cm	25.5"-65cm	7"-18cm	17.25"-44cm
Single Wall Connector – With Blower Kit Shield	14"-36cm	13.75"-35cm	18.625"-47cm	25.5"-65cm	7"-18cm	17.25"-44cm
Double Wall Connector – Inc. Rear Heat Shield	14"-36cm	9.75"-25cm	14.625"-37cm	25.5"-65cm	7"-18cm	17.25"-44cm
Double Wall Connector – With Blower Kit Shield	14"-36cm	9.75"-25cm	14.625"-37cm	25.5"-65cm	7"-18cm	17.25"-44cm
Single Wall Connector – No Rear Heat Shield	14"-36cm	15.5"-40cm	20.375"-52cm	25.5"-65cm	14"-36cm	25.5"-65cm
Alcove W/Sgl or Dbl Wall Conn – Inc. Rear Heat Shield	14"-36cm	13.75"-35cm	18.625"-47cm	25.5"-65cm	See NFPA-211	
Alcove W/ Sgl or Dbl Wall Conn – With Blower Kit Shield	14"-36cm	13.75"-35cm	18.625"-47cm	25.5"-65cm	See NFPA-211	

Alcove Clearances (inches)	Unprotected Surfaces	Protected Surfaces (NFPA-211)
Minimum alcove width	51.25"-131cm	See NFPA-211
Min. Alcove ceiling from floor with single wall connector	56"-142.3cm	See NFPA-211
Min. Alcove ceiling from floor with double wall connector	56"-142.3cm	See NFPA-211

FOR BLOWER KIT, USE KIT #96-57400



Model: Hipster® 14

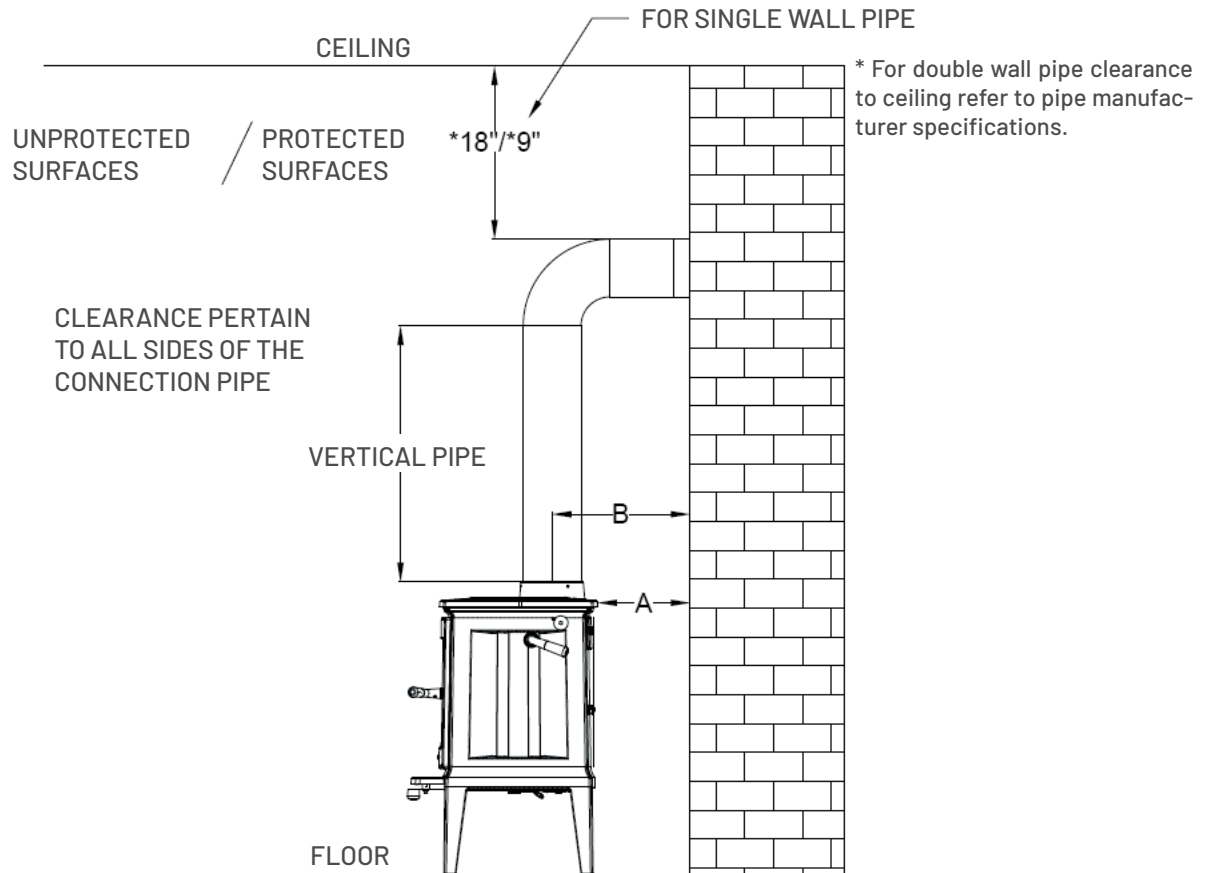


Figure 5 - Chimney Connector Clearances

Through the wall top flue exit	Single Wall Pipe		Double Wall Pipe	
	With Blower Kit Shield**	Inc. Rear Heat Shield	With Blower Kit Shield**	Inc. Rear Heat Shield
A	13.75"-35cm	13.75"-35cm	9.75"-25cm	9.75"-25cm
B	18.625"-47cm	18.625"-47cm	14.625"-37cm	14.625"-37cm

FOR BLOWER KIT, USE KIT #96-57400

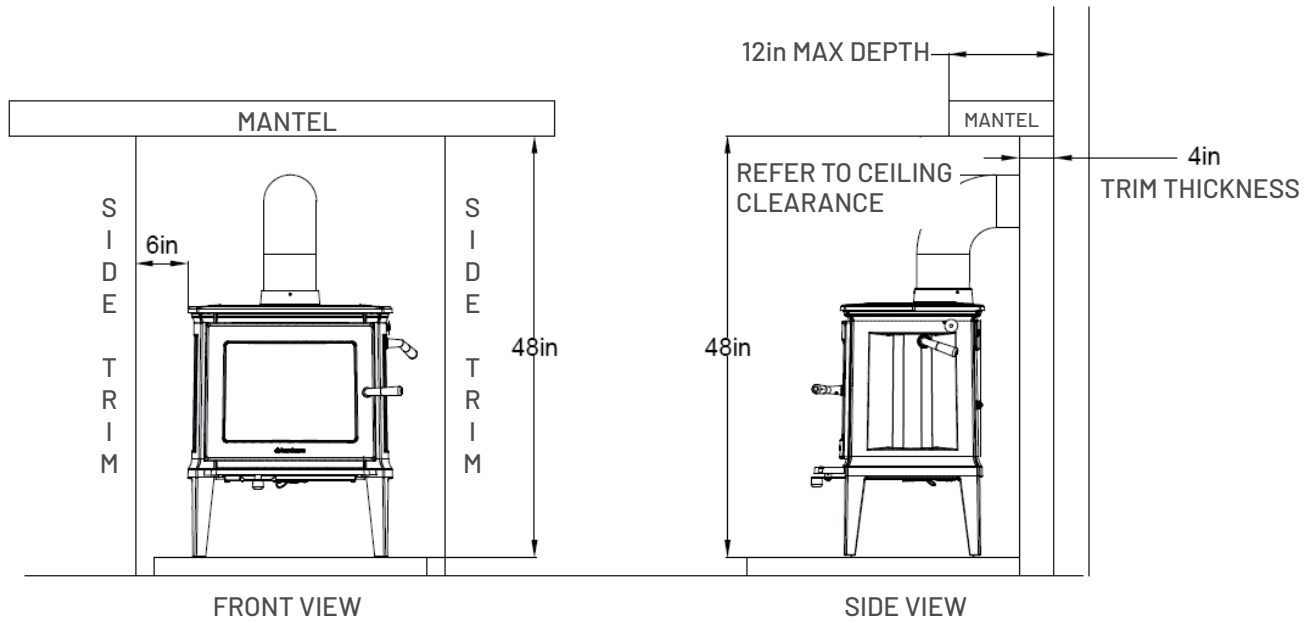


AMBIANCE[®]

FIREPLACES | BBQ | OUTDOORS | SPAS

Hipster[®]
WOOD COLLECTION

Model: Hipster[®] 14

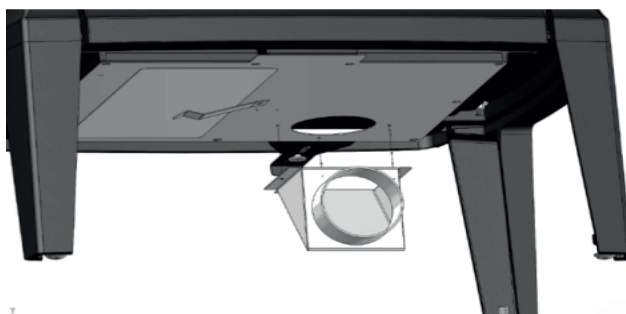


CLEARANCES APPLY WITH STOVE IN FIREPLACE ALSO
Figure 6 - Trim and Mantel Clearances

Optional Fresh Air Kit and Blower

The outside air kit for this stove (Kit #96-53400) allows for the direct connection of the stove's air intake to a minimum 3" (76 mm) diameter duct (supplied by others)* which leads to the outside of the house. An adaptor for 4" duct is available if needed (KIT #90-53308). The outside air kit attaches to the underside of the stove. Refer to the instructions provided with the kit for installation.

Variable Speed Heat Activated Fan



Back view with Heat Shield and Fan Option installed

Figure 7 - Outside Air Kit Detail