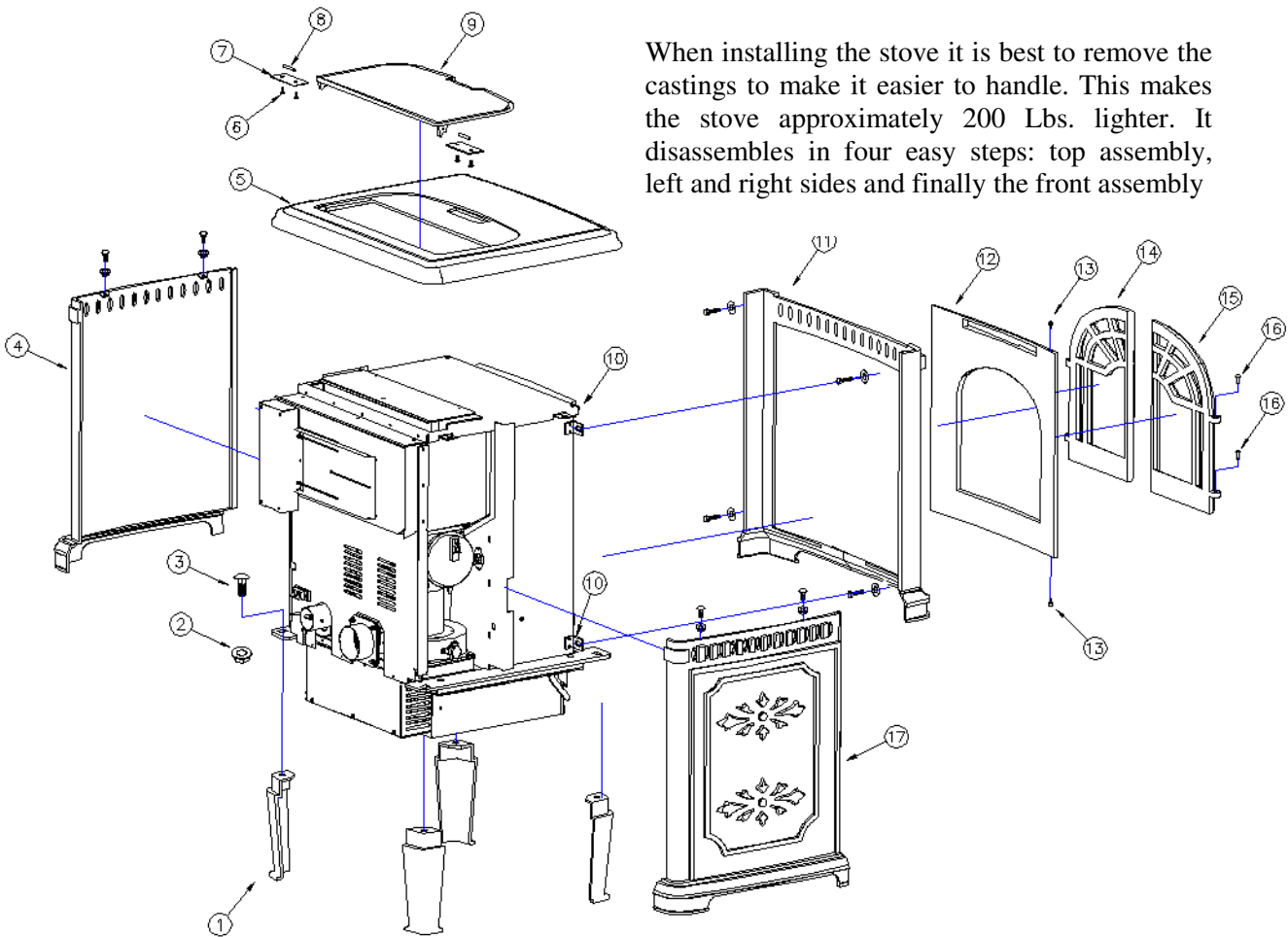


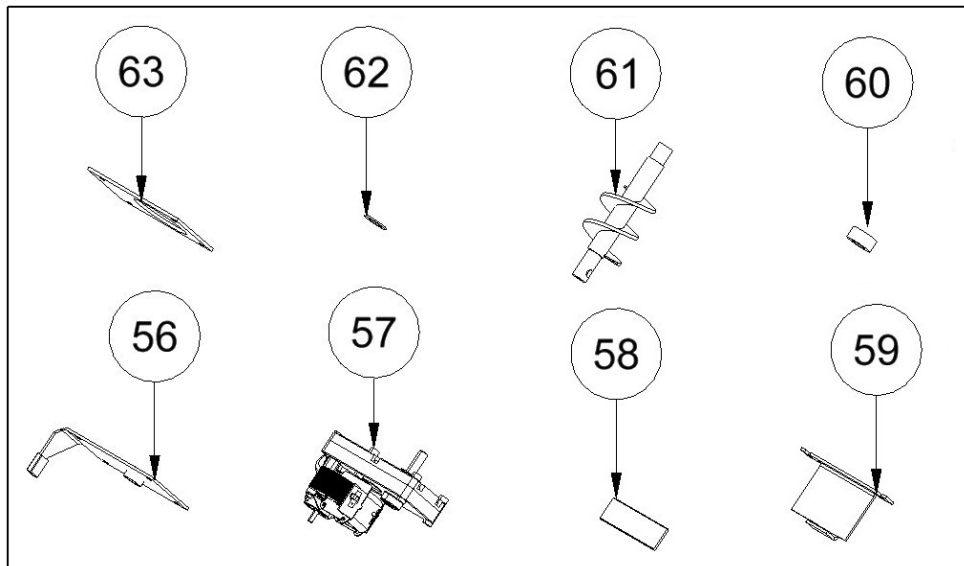
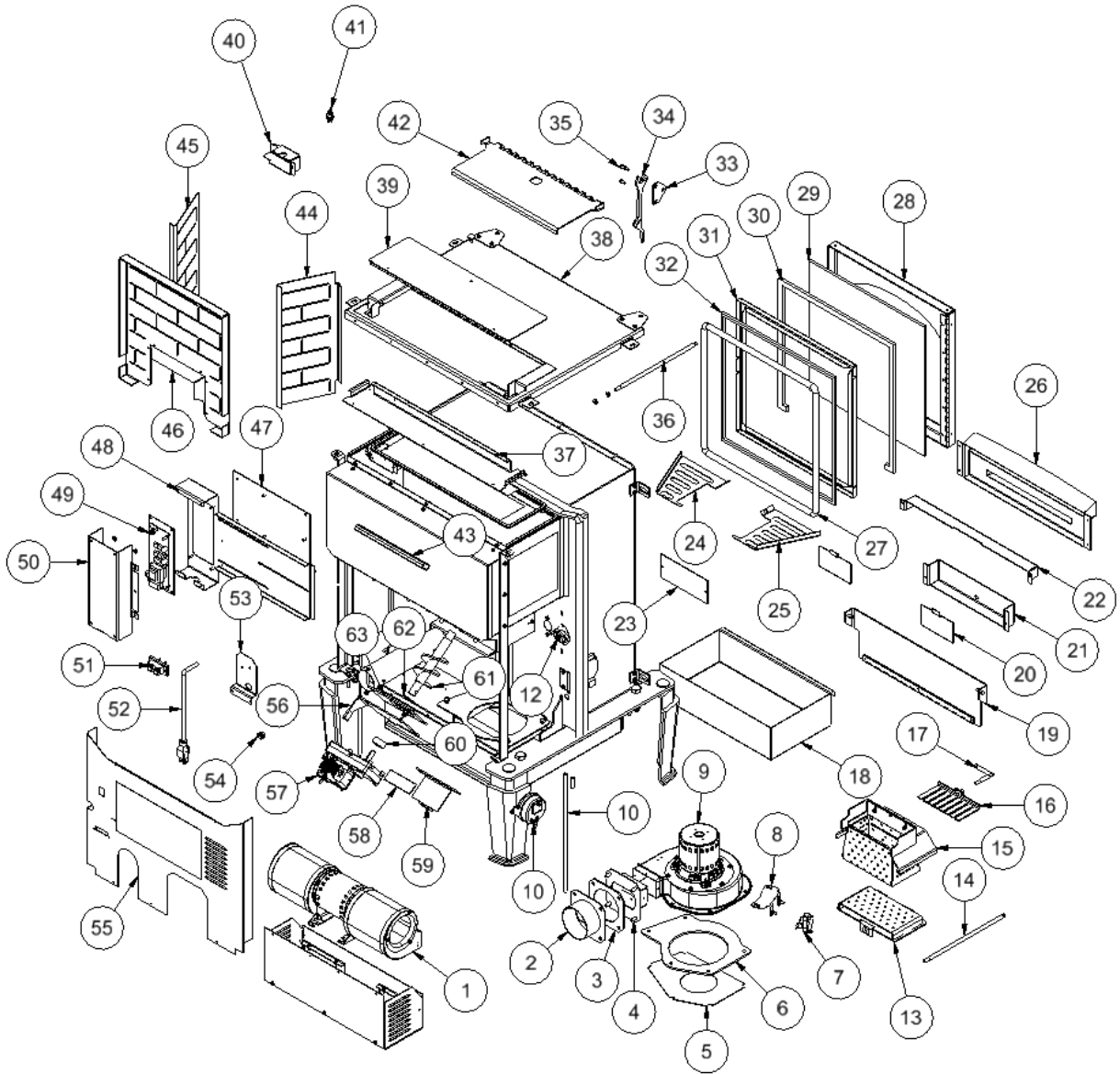
Greenfield Cast iron Parts

When installing the stove it is best to remove the castings to make it easier to handle. This makes the stove approximately 200 Lbs. lighter. It disassembles in four easy steps: top assembly, left and right sides and finally the front assembly



#	PART NUMBER	DESCRIPTION
1	80P20083-R	CAST LEG
2	1/2HFW	1/2-13 WHIZNUT
3	1/2X1-1/2CB	1/2-13 X 1-1/2 CARRIAGE BOLT
4	80P20090-R	CAST SIDE PANEL - RIGHT
5	80P20088-R	CAST TOP
6	80P20102-R	MOUNTING SCREWS - CAST HOPPER LID
7	80P20108-R	MOUNTING PLATE - CAST HOPPER LID
8	80P20099-R	HINGE PINS - CAST HOPPER LID
9	80P20089-R	CAST HOPPER LID
10	80P52650-R	MOUNTING BRACKET - CAST FRONT PANEL
11	80P20093-R	CAST FRONT FRAME
12	80P20094-R	CAST FRONT PANEL
13	80P20100-R	HINGE PINS - CAST FRONT PANEL
14	80P20098-R	CAST DOOR - RIGHT
15	80P20097-R	CAST DOOR - LEFT
16	80P20101-R	HINGE PINS - CAST DOORS
17	80P20092-R	CAST SIDE PANEL - LEFT

Greenfield Parts



#	PART NUMBER	DESCRIPTION
1	80P20003-R	CONVECTION BLOWER
2	80P52887-R	PIPE CONNECTOR ASSEMBLY
3	80P52232-R	QUICK DISCONNECT GASKET
4	80P53650-R	EXHAUST ADAPTER WELDMENT
5	80P30950-R	VENTURI PLATE
6	80P20168-R	COMBUSTION FAN GASKET
7	80P20038-R	PROOF OF FIRE SWITCH
8	80P54217-R	P.O.F. SWITCH BRACKET ASSEMBLY
9	80P20001-R	COMBUSTION FAN
10	51135K282	SILICONE TUBING – 12 “ LENGTH
11	80P52628-R	VACUUM SWITCH
12	80P52629-R	MANUAL RESET HIGH LIMIT
13	80P54414-R	SLIDE-OUT BOTTOM
14	80P52567-R	TUBE SCRAPER / SLIDER ROD
15	80P54183-R	MULTI-FUEL POT
16	80P53619-R	COAL RAKE
17	80P53769-R	COAL RAKE ROD WELDMENT
18	80P53666-R	ASH PAN
19	80P53632-R	BELLY PAN DOOR WELDMENT
20	80P52237-R	ASH CLEANOUT COVER
21	80P30017-R	SNOUT COVER
22	80P30043-R	ASH LIP BOX
23	80P30280-R	ASHPAN CLEANOUT COVER
24	80P30926-R	DECORATIVE GRILL – LEFT SIDE
25	80P30927-R	DECORATIVE GRILL – RIGHT SIDE
26	80P53675-R	AIR BOX WELDMENT
27	80P20132-R	DOOR GASKET KIT
28	80P52947-R	DOOR FRAME WELDMENT
29	80P20129-R	GLASS FOR DOOR
30	80P20022-R	GLASS GASKET KIT
31	80P52357-R	GLASS RETAINER
32	HB1000	RED SILICONE
33	80P53677-R	HANDLE MOUNT PLATE ASSEMBLY
34	80P53773-R	DOOR HANDLE - PAINTED
35	10-24X3/8BHSCS	10-24 X 3/8” SOCKET CAP SCREW
36	80P52567-R	TUBE SCRAPER ROD
37	80P52679-R	HOPPER SEAL - REAR
38	80P53684-R	FALSE TOP ASSEMBLY
39	80P53682-R	HOPPER LID ASEMBLY
40	80P31022-R	HOPPER LID SWITCH BOX
41	80P31003-R	HOPPER LID SWITCH
42	80P52366-R	HEAT EXCHANGE BAFFLE
43	80P20403-R	PLASTIC WIRING DUCT - 8"
44	80P30923-R	STEEL BRICK PANEL – LEFT SIDE
45	80P30924-R	STEEL BRICK PANEL – RIGHT SIDE
46	80P54181-R	STEEL BRICK PANEL – BACK PANEL
47	80P53681-R	SLIDE-TOP STANDOFF PLATE ASSEMBLY
48	80P53785-R	CONTROL BOARD BOX W/ CLINCH STUDS
49	80P30523B-R	CONTROL BOARD

50	80P52658-R	CONTROL BOARD HARNESS RESTRAINT
51	80P30045-R	THERMOSTAT TERMINAL
52	80P20004-R	POWER CORD
53	80P52685-R	POWER CORD/TERMINAL BLOCK BRACKET
54	02062-R	CORD RESTRAINT
55	80P31215-R	BACK COVER PANEL
56	80P54074-R	MOTOR MOUNT BRACKET AND END CAP
57	80P20278-R	AUGER MOTOR
58	80P20022-3	1" X 1/8" FLAT GASKET – 3" LENGTH
59	08P30191-R	MOTOR RETAINER BRACKET
60	80P20248-R	5/8" COLLAR WITH SET SCREW
61	80P53666-R	AUGER WELDMENT
62	80P60083-R	AUGER WASHER
63	80P20245-R	AUGER GASKET
	PARTS	NOT SHOWING
N/A	80P21403-R	WIRING HARNESS
N/A	80P52630-R	TERMINAL BLOCK
N/A	X-113HT	RUBBER HOPPER SEAL – 35"
N/A	80P54121-R	ROD TOOL ASSEMBLY
N/A	80P20057-R	250 VOLT 5 AMP FUSE