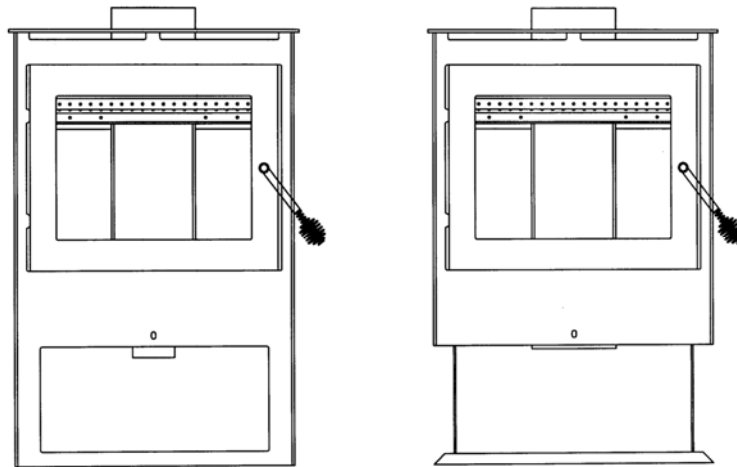


**TRANQUILITY WOOD STOVE**  
INSTALLATION & OPERATION MANUAL  
17-VL, 50-SVL17 & 50-TVL17 17-VLP, 50-SVL17P & 50-TVL17P



Manufactured By:  
England's Stove Works, Inc.  
PO Box 206  
Monroe, VA 24574



Rev. 5/2015

**CAUTION**

Please read this entire manual before installation and use of this wood fuel-burning appliance. Keep children, furniture, fixtures and all combustibles away from any heating appliance.

**SAFETY NOTICE**

Failure to follow these instructions can result in property damage, bodily injury or even death. For your safety and protection, follow the installation instructions outlined in this manual. Contact your local building or fire officials about restrictions and installation inspection requirements (including permits) in your area.

**SAVE THESE INSTRUCTIONS**

**IMPORTANT: IF YOU HAVE A PROBLEM WITH THIS UNIT, DO NOT RETURN IT TO THE DEALER. CONTACT TECHNICAL SUPPORT @ 1-800-245-6489**

**Mobile Home Use:**

This freestanding wood unit is approved for mobile home or doublewide installation with the outside combustion air hook-up. See the "Installation" section of this manual for details pertaining to mobile home installations. Mobile home installation must be in accordance with the Manufactured Home and Safety Standard (HUD), CFR 3280, Part 24.

**Retain for your files**

Model Number \_\_\_\_\_

Date of Purchase \_\_\_\_\_

Date of Manufacture \_\_\_\_\_

Serial Number \_\_\_\_\_

\* This information can be found on the safety tag attached to the rear of the unit. Have this information on hand if you phone the factory or your dealer regarding this product.

**CAUTION**

- Keep children away.
- Supervise children in the same room as this appliance.
- Alert children and adults to the hazards of high temperatures.
- Do NOT operate with protective barriers open or removed.
- Hot while in operation! Keep clothing, furniture, draperies and other combustibles away. Contact may cause skin burns!
- Installation MUST comply with local, regional, state and national codes and regulations.
- Consult local building, fire officials or authorities having jurisdiction about restrictions, installation inspection, and permits.

# TABLE OF CONTENTS

## Introduction

- Introduction ..... 4

## Specifications

- Heating Specifications..... 5
- Dimensions..... 5
- EPA Compliance ..... 5

## Installation

- Installation Overview ..... 6
- Clearances to Combustibles..... 7
- Venting Introduction..... 8
- Venting Guidelines ..... 8
- Additional Venting Information ... 9
- Wall Pass-Throughs..... 10
- Approved Venting Methods
  - Through the Wall ..... 11
  - Through the Ceiling..... 12
  - Masonry Chimney ..... 13
- Mobile Home Installation ..... 14
- Outside Air Hook-Up ..... 14
- Floor Protection ..... 15
- R value Calculations ..... 16

## Operation

- Break-In Fires ..... 17
- Lighting a Fire..... 17
- Continuous Operation..... 18
- Safety Notes ..... 19

## Maintenance

- Important Notes..... 20
- Inspecting Gaskets ..... 21
- Glass and Gasket Replacement.. 22

## Troubleshooting Guide

- Troubleshooting..... 23

## Optional Accessories

- AC-16 Blower ..... 24

## Illustrated Parts Detail

- Parts List..... 24
- Exploded Parts Diagram..... 25

## Warranty

- Warranty Details ..... 26-27
- Warranty Reg. Form..... 28-29

EPA Information .....31

**DO NOT CONNECT TO ANY AIR DISTRIBUTION DUCT OR SYSTEM.**

**DO NOT USE CHEMICALS OR FLUIDS TO START THE FIRE.**

**DO NOT BURN GARBAGE OR FLAMMABLE FLUIDS SUCH AS GASOLINE, NAPHTHA OR ENGINE OIL.**

## **INTRODUCTION**

Thank you for purchasing this fine product from England's Stove Works!

England's Stove Works was started, and is still owned by, a family that believes strongly in a "Do It Yourself" spirit; that's one reason you found this product at your favorite "Do It Yourself" store.

We intentionally design and build our stoves so that any homeowner can maintain their unit with basic tools, and we're always more than happy to show you how to do the job as easily and as inexpensively as possible. However, while remaining simple, our stoves are designed to perform extremely efficiently, helping deliver more heat from less fuel.

Please look at our vast Help section on our website and call our Technical Support Department at (800) 245-6489 if you need any help with your unit. We are nearly always able to "walk you through" any installation issues, repairs, problems or other questions that you may have.

Wishing you years of efficient, quality and "comfy" heating,

### **EVERYONE AT ENGLAND'S STOVE WORKS**

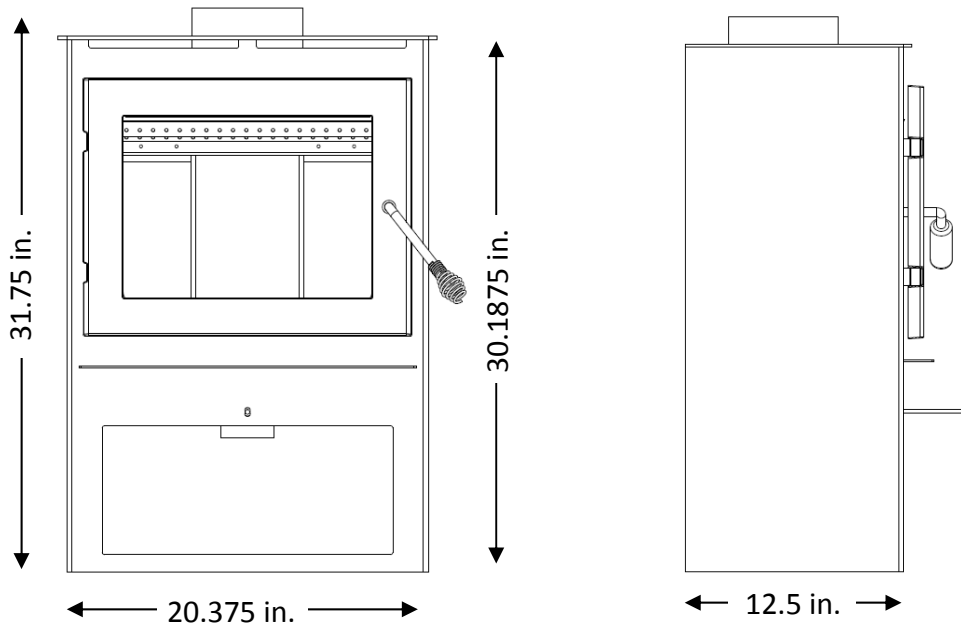
**Please Note:** While information obtained from our web site and through our Technical Support line is always free of charge, there will be a service charge incurred with any "on-site" repairs or maintenance that we may arrange.

# SPECIFICATIONS

## Heating Specifications

- Maximum Heat Output ..... 40,000 BTU/hr
- Maximum Burn Time\*\* ..... 6 hours
- Approximate Square Footage Heated\*\*\* ..... 500 - 1200 sq. ft.
- Firebox Capacity ..... 45 pounds
- Flue Collar ..... 6.0 in. round

## Dimensions



## EPA and Safety Compliance Specifications

- EPA Compliance ..... Certified
- Particulate Emissions ..... 4.3 grams/hr
- Efficiency\* ..... 63%
- Tested To ..... UL-1482, ULC-S627-00

\* - This unit was not tested for efficiency; the efficiency shown is a default value normally attained by similar, certified non-catalytic wood

\*\* - Maximum burn time are heavily dependent on the type of wood burned in the stove; as such, these numbers may vary.

\*\*\* - The maximum heating capacity of this unit can vary greatly based on climate, construction style, insulation and a myriad of other factors. Use this information in conjunction with a BTU loss calculation for your home to determine if this unit will be sufficient for your needs.

# INSTALLATION

## Installation Overview

When choosing a location for your new stove, there are a multitude of factors that should be taken into account before beginning the installation.

1. Traffic Patterns – To help prevent accidents, the stove should be placed in a location where it is out of the way of normal travel through the home.
2. Heat Flow – When deciding on a location for the stove, consider the way heat moves throughout your home. Install the stove where you need the heat; basement installations often do not allow sufficient heat to flow to the upper floors and a top floor installation will not allow any heat to reach the floors below. Always consider that heat rises and will take the path of least resistance while it is still hot.
3. Exhaust Location – The engine which drives a wood stove is the chimney system, so it is important to consider precisely how the chimney system will be integrated into the stove installation. Ideally, a wood stove chimney will run completely vertical from the flue collar of the unit all the way to the termination point above the roof line. Keeping the entire chimney system inside the heated envelope of the home will ensure a strong, easy to initiate draft in the chimney. Although exterior chimney systems often function properly, they are more likely to suffer from cold down drafts at start up or provide weak draft to the unit. Also, consider the cross-sectional area of the chimney; although existing masonry chimneys can often be used, a large external masonry chimney will result in a unit that is difficult or impossible to operate properly. In that case, an insulated chimney liner will often be required to supply the necessary draft.
4. Wall Construction – Locating the stove so that the exhaust system can pass between studs will simplify the installation and eliminate the need to reframe any sections of the wall or ceiling to accommodate the wall thimble or ceiling box.

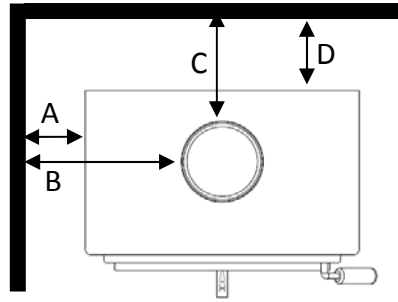
### WARNING

- Do not store or use gasoline or other flammable vapors and liquids in the vicinity of this or any other appliance.
- Do Not Over-fire – If any external part starts to glow, you are over-firing. Reduce intake air supply. Over-firing will void your warranty.
- Comply with all minimum clearances to combustibles as specified. Failure to comply may result in a house fire.
- Tested and approved for **cordwood only**. Burning any other fuel will void your warranty.

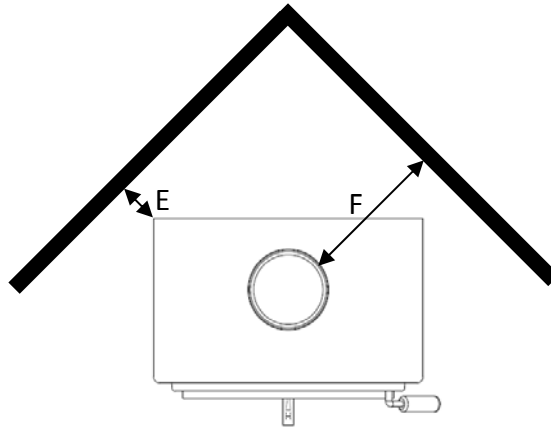
# INSTALLATION

## Clearances to Combustibles

*Parallel Wall Installation*



*Corner Installation*



	Unit to Side Wall	Chimney Connector to Side Wall	Chimney Connector to Rear Wall	Unit to Rear Wall	Unit to Corner	Chimney Connector to Corner
	A	B	C	D	E	F
	in. (mm.)	in. (mm.)	in. (mm.)	in. (mm.)	in. (mm.)	in. (mm.)
Single Wall Chimney Connector Unprotected Surface	12 (304.8)	19.5 (495.3)	12 (304.8)	10 (254.0)	7 (177.8)	15 (381.0)
Double Wall Chimney Connector Unprotected Surface	11 (279.4)	17.5 (444.5)	10 (254.0)	8 (203.2)	6 (152.4)	14 (355.6)

# INSTALLATION

## Venting Introduction

This wood stove operates on a natural draft system, in which the chimney system pulls air through the stove. This unit must be installed in accordance with the following detailed descriptions of venting techniques; not installing the stove in accordance with the details listed here can result in poor stove performance, property damage, bodily injury or death. Avoid make-shift compromises when installing the venting system. England's Stove Works is not responsible for any damage incurred due to a poor or unsafe installation.

Be certain that all aspects of the venting system are installed to the venting manufacturer's instructions, particularly the required clearances to combustibles. Also, be certain to use an attic radiation shield to prevent insulation from contacting a chimney which passes through an attic.

The chimney system is the "engine" which drives a wood stove, so it is imperative for proper unit function that the venting system be installed exactly as described in the following section.

If questions arise pertaining to the safe installation of the stove, our Technical Support line (800-245-6489) is available. Contact your local code official to be certain your installation meets local and national fire codes, and if you're uncertain about how to safely install the stove, we strongly recommend contacting a local NFI certified installer to perform the installation.

## Venting Guidelines

- **ALWAYS** install vent pipe in strict adherence to the instructions and clearances included with your venting system.
- **DO NOT** connect this wood stove to a chimney flue which also serves another appliance.
- **DO NOT** install a flue pipe damper or any other restrictive device in the exhaust venting system of this unit.
- **USE** an approved wall thimble when passing through a wall and a ceiling support/fire stop when passing through a ceiling.
- **INSTALL** three sheet metal screws at every chimney connector joint.
- **AVOID** excessive horizontal runs and elbows, as both will reduce the draft of the venting system and will result in poor stove performance.
- **INSPECT** your venting system often, to be certain it is clear of creosote, fly-ash and other restrictions.
- **CLEAN** the venting system as detailed in the maintenance section of this manual.
- **ADHERE** to the 10-3-2 rule regarding chimney terminations.
- **INSTALL** single wall chimney connector with the male end **down** to prevent creosote leakage. Follow double wall chimney connector manufacturer's instructions regarding proper pipe installation.

**WARNING:** Venting system surfaces get HOT, and can cause burns if touched. Noncombustible shielding or guards may be required.

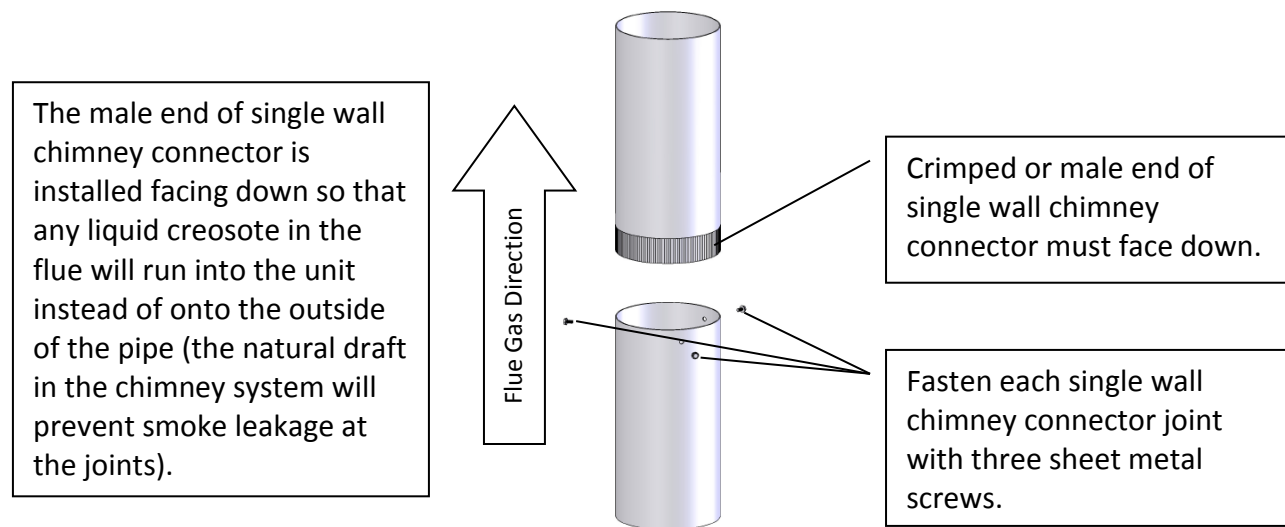


# INSTALLATION

## Additional Venting Information

- Do not mix and match components from different pipe manufacturers when assembling your venting system (i.e. Do **NOT** use venting pipe from one manufacturer and a thimble from another).
- We **require** a minimum chimney height of 15.0 ft. Chimney systems shorter than this may not create the amount of draft which is required to operate this wood burning unit.
- Do not use makeshift compromises when installing the venting system; have existing chimney systems inspected before use and be certain all new chimney systems are installed to the manufacturer's specifications and with only UL listed components (ULC if Canada).
- Prefabricated venting systems used for this stove must be listed to ULC S629 (Canada) and UL 103HT (US).
- Never install a draft inducer or any other system which increases the natural draft of the chimney; similarly, do not install a barometric or stovepipe damper with this unit.
- Never use single wall or double chimney connector as a chimney system; never pass either type of chimney connector through a combustible wall without carefully following the manufacturer's instructions and those listed in the following page on Wall Pass-Throughs. NEVER pass chimney connector through an attic, floor, closet or roof.
- Only use 24 gauge MSG black single wall chimney connector or UL Listed (ULC if Canada) double wall chimney connector.

## Single Wall Chimney Connector Installation



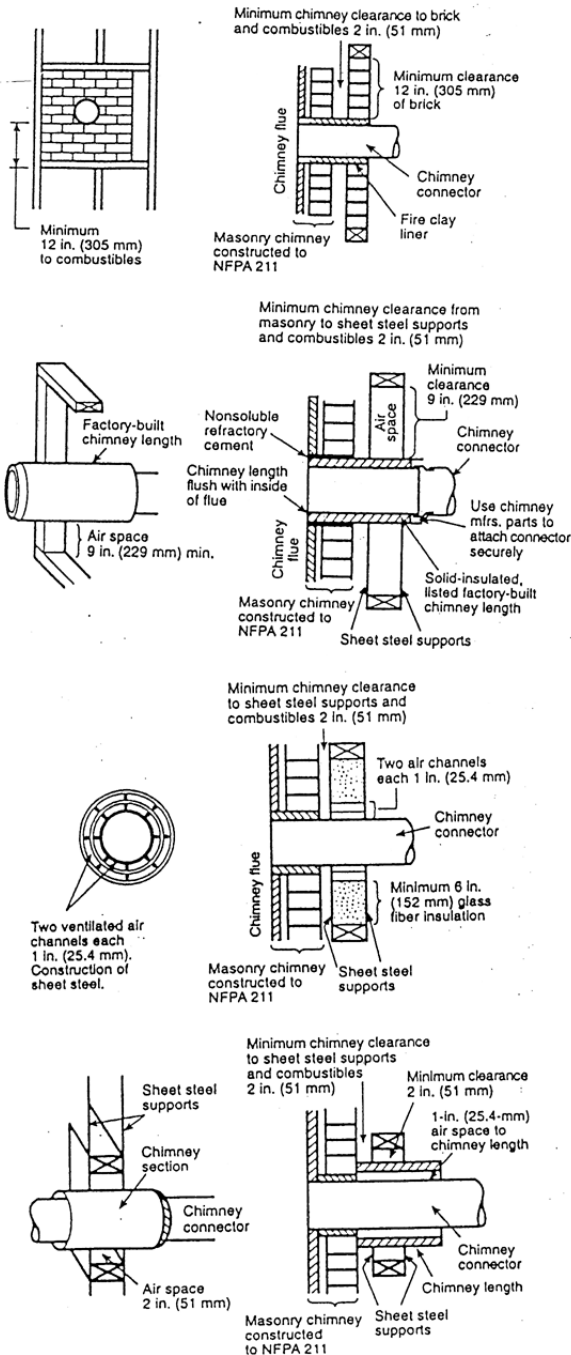
## **WARNING**

- INSTALL VENT AT CLEARANCES SPECIFIED BY THE VENT MANUFACTURER.
- HOT! Do not touch! Severe burns or clothing ignition may result.
- Glass and other surfaces are hot during operation.

# INSTALLATION

## Wall Pass-Throughs

### Chimney Connector Systems and Clearances from Combustible Walls for Residential Heating Appliances



A Minimum 3.5-in thick brick masonry all framed into combustible wall with a minimum of 12-in brick separation from clay liner to combustibles. The fireclay liner shall run from outer surface of brick wall to, but not beyond, the inner surface of chimney flue liner and shall be firmly cemented in place.

B Solid-insulated, listed factory-built chimney length of the same inside diameter as the chimney connector and having 1-in. or more of insulation with a minimum 9-in. air space between the outer wall of the chimney length and combustibles.

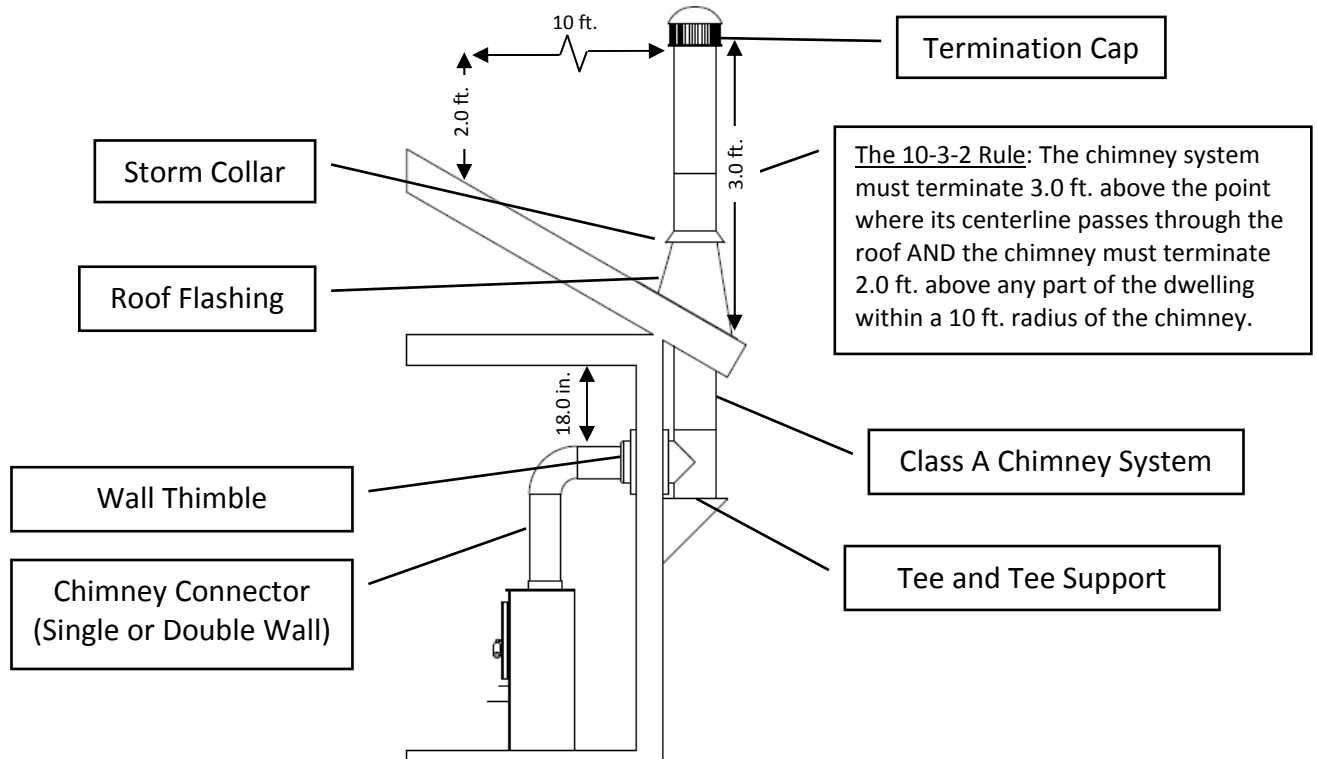
C Sheet steel chimney connector, minimum 24 gauge in thickness, with a ventilated thimble, minimum 24 gauge in thickness, having two 1-in. air channels, separated from combustibles by a minimum of 6-in. of glass fiber insulation. Opening shall be covered, and thimble supported with a sheet steel support, minimum 24 gauge in thickness.

D Solid insulated, listed factory-built chimney length with an inside diameter 2-in. larger than the chimney connector and having 1-in. or more of insulation, serving as a pass-through for a single wall sheet steel chimney connector of minimum 24 gauge thickness, with a minimum 2-in. air space between the outer wall of chimney section and combustibles. Minimum length of chimney section shall be 12-in. chimney section spaced 1-in. away from connector using sheet steel support plates on both ends of chimney section. Opening shall be covered, and chimney section supported on both sides with sheet steel supports securely fastened to wall surfaces of minimum 24 gauge thickness. Fasteners used to secure chimney section shall not penetrate chimney flue liner.

In Canada, the installation must conform to CAN/CSA-B365 when passing through combustible construction.

# INSTALLATION

## Approved Venting Method 1: Through the Wall Factory Built Chimney



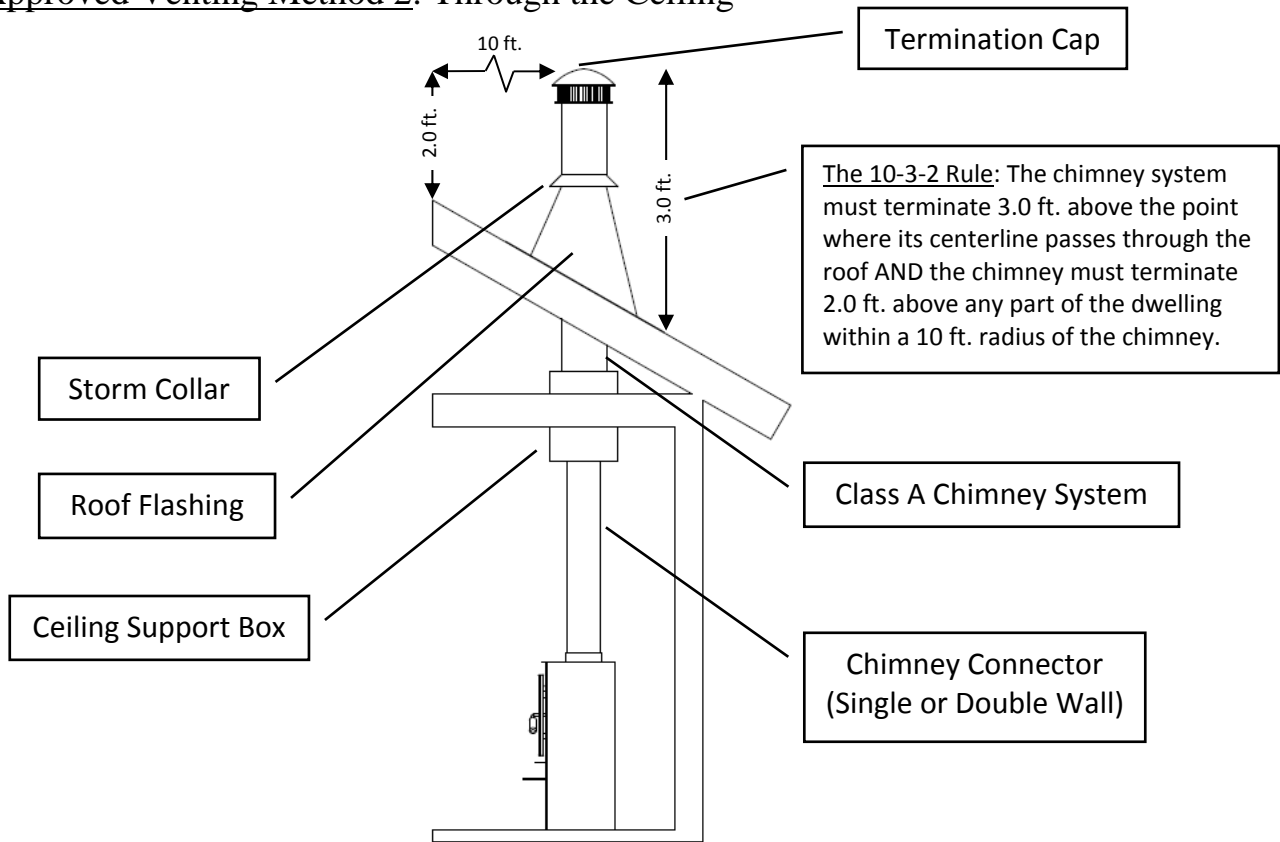
- Prefabricated chimney systems must conform to UL-103HT (2100 °F) for the U.S. and ULC-S629 (650°C) for Canada.
- This wood burning unit is only listed for installation with 6.0" diameter chimney connector and chimney systems. Installing this unit on prefabricated chimneys larger than 6.0" diameter will result in decreased draft and the potential for poor unit performance.
- Follow all venting system manufacturer's installation requirements and required clearances.
- Use three sheet metal screws at each single wall chimney connector joint (check manufacturer's recommendations when double wall chimney connector is used).
- Drill three holes in the flue collar of the unit and attach the chimney connector to the unit using sheet metal screws.
- Properly attach the prefabricated chimney system to the home in strict accordance with the prefabricated chimney system manufacturer's instructions.
- Avoid numerous elbows and excessive horizontal runs as both will lead to poor draft and increased creosote accumulation. Horizontal runs of chimney connector must never exceed 4.0 ft. and the overall length of the chimney connector must not exceed 8.0 ft.
- Special adapters and slip connectors are available to eliminate the need to cut single wall chimney connector. Double wall chimney connector must be used with these slip connectors, as it cannot be trimmed to length.

**Please Note:**

Installation diagrams are for reference purposes only and are not drawn to scale, nor meant to be used as plans for each individual installation. Please follow all venting system requirements, maintain the required clearances to combustibles, and follow all local codes.

# INSTALLATION

## Approved Venting Method 2: Through the Ceiling



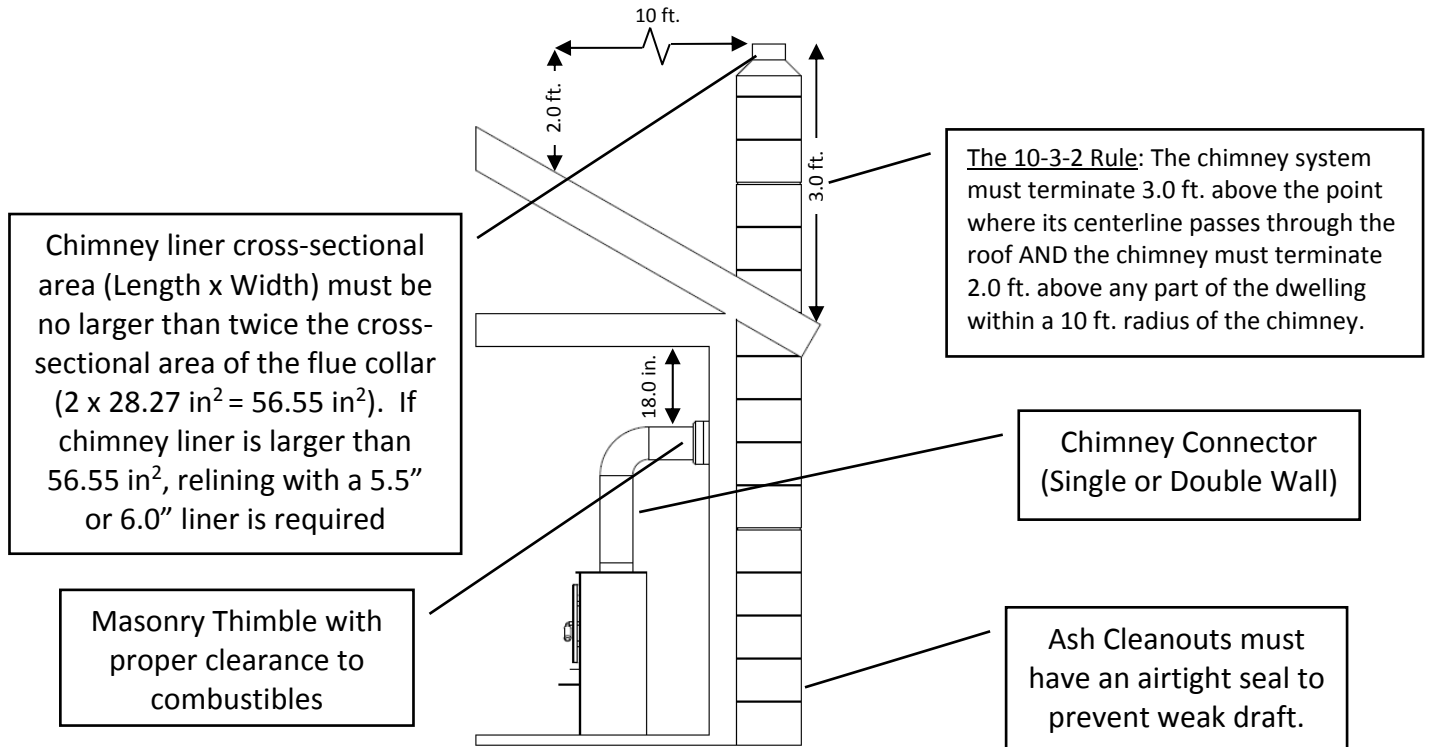
- Prefabricated chimney systems must conform to UL-103HT (2100 °F) for the U.S. and ULC-S629 (650°C) for Canada.
- This wood burning unit is only listed for installation with 6.0" diameter chimney connector and chimney systems. Installing this unit on prefabricated chimneys larger than 6.0" diameter will result in decreased draft and the potential for poor unit performance.
- Follow all venting system manufacturer's installation requirements and required clearances.
- Use three sheet metal screws at each single wall chimney connector joint (check manufacturer's recommendations when double wall chimney connector is used).
- Drill three holes in the flue collar of the unit and attach the chimney connector to the unit using sheet metal screws.
- Properly attach the prefabricated chimney system to the home in strict accordance with the prefabricated chimney system manufacturer's instructions.
- The overall length of the chimney connector must not exceed 8.0 ft. In the case of cathedral ceilings, the prefabricated chimney system should extend to 8.0 ft. from the top of the unit.
- Special adapters and slip connectors are available to eliminate the need to cut single wall chimney connector. Double wall chimney connector must be used with these slip connectors, as it cannot be trimmed to length.

### **Please Note:**

Installation diagrams are for reference purposes only and are not drawn to scale, nor meant to be used as plans for each individual installation. Please follow all venting system requirements, maintain the required clearances to combustibles, and follow all local codes.

# INSTALLATION

## Approved Venting Method 3: Internal or External Masonry Chimney System



- Follow the rules listed above concerning maximum permissible flue liner size; installing this unit on masonry chimneys exceeding  $56.55 \text{ in}^2$  in cross-sectional area will result in decreased draft and the potential for poor unit performance.
- Use three sheet metal screws at each single wall chimney connector joint (check manufacturer's recommendations when double wall chimney connector is used).
- Drill three holes in the flue collar of the unit and attach the chimney connector to the unit using sheet metal screws.
- Avoid numerous elbows and excessive horizontal runs as both will lead to poor draft and increased creosote accumulation. Horizontal runs of chimney connector must never exceed 4.0 ft. and the overall length of the chimney connector must not exceed 8.0 ft.
- A tight seal at the thimble is crucial for proper unit performance and to create a safe installation. Use the proper adapter designed for connecting single or double wall chimney connector to a masonry thimble.
- Have existing masonry chimneys inspected for safety and proper clearances to combustibles before putting them into service; a qualified chimney sweep can perform this inspection.
- External masonry chimneys often suffer cold downdrafts and poor draft performance even when they meet the cross-sectional area rules. In this case, a 6.0" insulated liner may be necessary.

### **Please Note:**

Installation diagrams are for reference purposes only and are not drawn to scale, nor meant to be used as plans for each individual installation. Please follow all venting system requirements, maintain the required clearances to combustibles, and follow all local codes.

# INSTALLATION

## WARNING

DO NOT INSTALL IN A SLEEPING ROOM.

## CAUTION

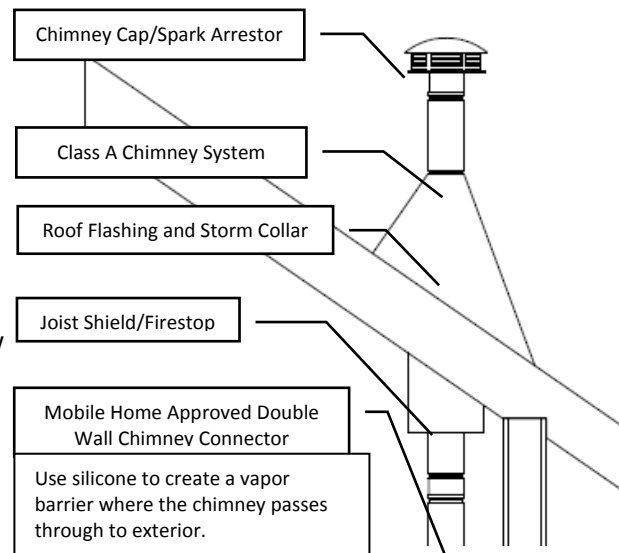
THE STRUCTURAL INTEGRITY OF THE MANUFACTURED HOME FLOOR, WALL AND CEILING/ROOF MUST BE MAINTAINED.

## Caution

**NEVER** draw outside combustion air from:  
Wall, floor or ceiling cavity or enclosed space such as an attic, garage or crawl space.

### Mobile Home Installation

- The wood stove **MUST** be secured to the floor of the mobile home using lag bolts and the holes provided in the bottom of the unit for this purpose. Use a #8 copper wire to ground stove to frame of mobile home.
- The wood stove must be connected to the chimney system with double wall chimney connector which is UL listed (ULC if Canada) for use in mobile and manufactured homes.
- Carefully follow all clearances listed in the appropriate section of this manual AND follow the venting manufacturer's minimum clearance requirements. Similarly, be certain the venting system used is approved for mobile home use.
- Installation must be in accordance with Manufacturers Home & Safety Standard (HUD) CFR 3280, Part 24 as well as any applicable local codes.

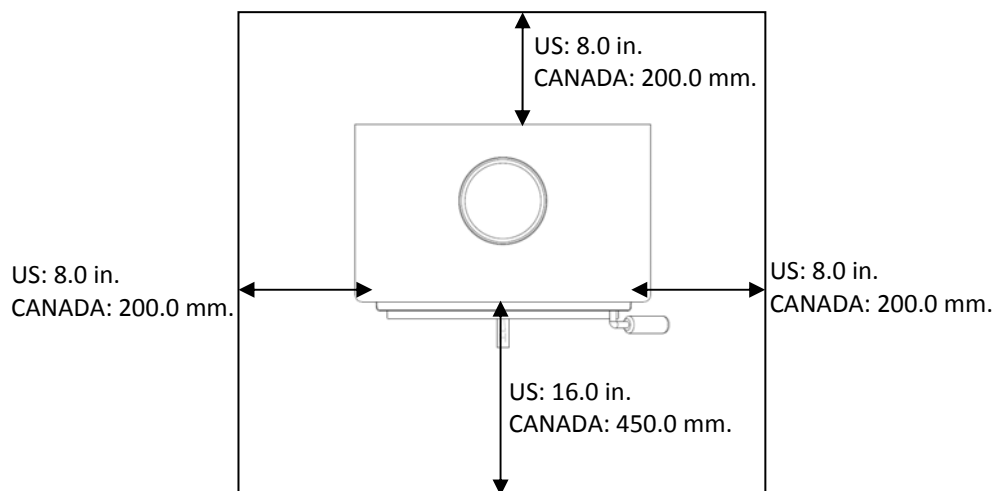


### Outside Combustion Air

- The use of outside combustion air is **mandatory** when installing this wood stove in a mobile or manufactured home.
- The outside air connection pipe protrudes from the bottom center of the stove; a kit is available from England's Stove Works, Inc. designed for connecting this unit to outside combustion air. [Part No. AC-OAK5]
- If it is not feasible to use the AC-OAK5 outside air hookup kit in your stove installation, other materials may be used, provided the following rules are followed:
  - The pipe used for outside air hookup must be metal, with a minimum thickness of .0209in. (25 gauge mild steel) or greater and an inside diameter of approximately 4.25in.
  - Keep pipe runs short and use a mechanical fastener at each pipe joint.
  - A screen or other protection device must be fitted over the outside air termination point to prevent rain, debris and nuisance animals from entering the piping system. Inspect the outside combustion air inlet for block and debris monthly.

## FLOOR PROTECTION

- This wood stove requires a non-combustible floor protector if the stove is to be installed on a combustible floor. If the floor the stove is to be installed on is already non-combustible (i.e. a concrete floor in a basement), no floor protection is needed (although a decorative floor protector can still be used for aesthetic reasons).
- When using any floor protector, consider that this stove is not only heavy but will induce heating and cooling cycles on the floor protector which can damage tile and loosen mortar and grout joints located near the stove.
- The floor protector should be UL approved or equivalent (ULC if Canada) and must be noncombustible with an R value of 0.5. Since the majority of the heat from this unit is radiant, the floor protector not only serves to keep ashes and sparks from landing on combustible flooring near the unit but also protects the combustible floor from the heat of the unit. A hearth rug is NOT an approved substitute for a proper hearth pad.
- For the US: The floor protector must extend at least 16 in. from the front of the fuel opening, 8 in. from the sides of the door opening and 8 in. from the rear of the unit.
- For Canada: The floor protector must extend at least 450.0 mm from the front of the fuel opening, 200.0 mm from the sides of the door opening and 200.0 mm from the rear of the unit.



- The non-combustible floor protector must extend 2 in. (50.8 mm.) on either side of any horizontal venting runs and extend directly underneath any vertical venting pipe.
- Please see the following page for instructions on calculating R values, to be certain that the planned floor protection is adequate for this stove.

### CAUTION

NEVER USE GASOLINE, GASOLINE-TYPE LANTERN FUEL, KEROSENE, CHARCOAL LIGHTER FLUID, OR SIMILAR LIQUIDS TO START OR "FRESHEN UP" A FIRE IN THIS HEATER. KEEP ALL SUCH LIQUIDS WELL AWAY FROM THE HEATER WHILE IN USE. ADDITIONALLY, NEVER APPLY FIRE-STARTER TO ANY HOT SURFACE OR EMBERS IN THE STOVE.

# FLOOR PROTECTION

## R Value Calculation

An easy means of determining if a proposed alternate floor protector meets requirements is to follow this procedure:

- 1) Convert specification to R-value:
  - i R-value is given – no conversion is needed
  - ii k-factor is given with a required thickness (T) in inches:  $R = 1/k \times T$
  - iii C-factor is given:  $R = 1/C$
- 2) Determine the R-value of the proposed alternate floor protector:
  - i Use the correct formula given in step 1 (above) to convert values not expressed as "R."
  - ii For multiple layers, add R-values of each layer to determine overall R-value.
- 3) If the overall R-value of the system is greater than the R-value of the specified floor protector, the alternate is acceptable.

### EXAMPLE:

The specified floor protector should be  $\frac{3}{4}$ " thick material with a k-factor of 0.84. The proposed alternate is 4" brick with a C-factor of 1.25 over 1/8" mineral board with a k-factor of 0.29.

Step (a): Use formula above to convert specification to R-value.

$$R = 1/k \times T = 1/0.84 \times .75 = 0.893$$

Step (b): Calculate R of proposed system.

$$4" \text{ brick of } C = 1.25, \text{ therefore } R_{\text{brick}} = 1/C = 1/1.25 = 0.80$$

$$1/8" \text{ mineral board of } k = 0.29, \text{ therefore } R_{\text{min.bd.}} = 1/0.29 \times 0.125 = 0.431$$

$$\text{Total } R = R_{\text{brick}} + R_{\text{mineral board}} = 0.8 + 0.431 = 1.231$$

Step (c): Compare proposed system of R of 1.231 to specified R of 0.893. Since proposed system R is greater than required, the system is acceptable.

Definitions:

$$\text{Thermal conductance} = C = \frac{\text{Btu}}{(\text{hr})(\text{ft}^2)(\text{deg F})} = \frac{\text{W}}{(\text{m}^2)(\text{deg K})}$$

$$\text{Thermal conductivity} = k = \frac{(\text{Btu})(\text{inch})}{(\text{hr})(\text{ft}^2)(\text{deg F})} = \frac{\text{W}}{(\text{m})(\text{deg K})} = \frac{\text{Btu}}{(\text{hr})(\text{ft})(\text{deg F})}$$

$$\text{Thermal resistance} = R = \frac{(\text{ft}^2)(\text{hr})(\text{deg F})}{\text{Btu}} = \frac{(\text{m}^2)(\text{deg K})}{\text{W}}$$



# OPERATION

## Break-In Fires

- This wood burning unit is constructed of heavy gauge steel and cast iron and is built to last a long time. However, in order to ensure no excessive thermal stresses are induced on the metal during the first fire, three break-in fires should be burned, each one slightly hotter than the last. These break-in fires will not only help the stove body acclimate to the high temperatures of the fire, but will also slowly cure the high temperature stove paint, which will ensure the high quality finish lasts for years.
- This stove has a single air control rod which regulates the wood burn rate; when the primary air control slide is pulled all the way out of the unit, the stove will burn more slowly and put out heat over a longer time period. Conversely, when the air control slide is pushed all the way in, the unit will burn more quickly and put out a larger amount of heat over a relatively shorter time period. Do not attempt to modify the range of air control adjustment for any reason.
- The first break-in fire should be just a large kindling fire, getting the stove to about 300°F as measured by a magnetic thermometer on the right or left side of the stove, above the door. Once this temperature has been reached, allow the fire to die out with the air control open. The second and third break-in fires should be a bit larger, with some small dry splits added to the kindling load. The temperature goal during these fires is about 350°F – 450°F; don't let the fire get hotter than that.

## Continuous Operation

- After the break-in fires are complete, this unit is ready for continuous operation. When burning the stove continuously, do not allow ash and coals to accumulate higher than 1.0" below the door opening. Excessive coaling is often a result of burning wood at too high a burn rate, and the coal bed should be allowed to burn down before reloading the stove with fresh wood.
- Combustion air is delivered to the stove at two locations: The majority of the primary combustion air enters the firebox via the air-wash system which keeps the glass clean and feeds the primary combustion flames on the top surfaces of the wood; some primary combustion air is bled off into the coal bed via bleed holes in the bottom rail of the air-wash system. Every effort must be taken to maintain the area in front of these holes free of ash.
- When loading the stove for a long term burn, it is most useful to rake a "v" in the center of the coal bed, to allow the primary air bleed holes to push air all the way to the rear of the unit.
- After loading the stove with a full firebox of fresh wood, it is important to operate the unit with the air control in the full open position to properly char the wood load and drive off the initial moisture in the fresh wood. Once the wood has been properly charred and is completely ignited, the air control can then be set to the desired heat output level.

In the event of a creosote or soot fire (chimney fire), close the air control on the stove, contact the local fire department and get out! Do not throw water on the fire! Contact your local fire authority for more information on how to handle a chimney fire and develop a safe evacuation plan for you and your family in the event of a chimney fire.

## **OPERATION**

- England’s Stove Works, Inc. always recommends the use of a magnetic stove thermometer, so that the temperature of the unit can be monitored. When using a magnetic stove thermometer, locate the thermometer above the door on either the left or right side of the stove and use the following temperatures as rough guidelines to determine the burn rate and heat output level of the stove:
  - Normal wood stove operation should occur between 350°F (177°C) and 550°F (288°C), with 350°F (177°C) to 450°F (232°C) being a low to medium heat output level and 450°F (232°C) to 550°F (288°C) being a medium to high heat output level. Operating the stove at 600°F (316°C) would be considered the maximum continuous operating temperature permissible and unit damage may result from operating at that high of a burn rate for extended time periods. Allowing the unit to reach 650°F (343°C) or higher is defined as over-firing and will result in unit damage.
- The optional room air convection blower was designed to extract the maximum amount of heat from the stove, for the highest possible heat transfer into the room. Since the blower is so efficient at removing heat from the unit, it is very important to only operate the room air blower after a fresh wood load has been allowed to burn for at least thirty (30) minutes. Allowing a fresh load of wood to burn without the blower on ensures that the entire unit reaches proper operation temperatures and that the secondary combustion system is functioning properly. Additionally, follow the guidelines below for acceptable blower speeds.
- When using the optional room air convection blower (Part No. AC-16), the blower should be operated as follows depending on heat output level:

<b>Burn rate</b>	High	Medium High	Medium	Medium Low	Low
<b>Blower Speed</b>	High	Low	Low	Low	Off

### **Creosote – Formation and Need for Removal**

When wood is burned slowly, it produces tar and other organic vapors, which combine with expelled moisture to form creosote. The creosote vapors condense in the relatively cool chimney flue of a slow-burning fire. As a result, creosote residue accumulates on the flue lining. When ignited, this creosote makes an extremely hot fire. The chimney and chimney connector should be inspected at least once every two months during the heating season to determine if a creosote buildup has occurred. If creosote has accumulated, it should be removed to reduce the risk of chimney fire.

**DO NOT USE GRATE OR ELEVATE FIRE – BUILD WOOD FIRE DIRECTLY ON HEARTH  
DO NOT OPERATE WITH THE MAIN DOOR OPEN – OPERATING THE STOVE WITH THE MAIN  
DOOR OPEN WILL CREATE AN OVER-FIRE**

# OPERATION

## Additional Safety Guidelines

- The installation of smoke detectors is highly recommended when installing this or any other solid fuel burning appliance. Smoke detectors should be located near or in every room of the home, particularly sleeping rooms.
- A smoke detector can be installed in the same room as this cordwood burning unit; installing the smoke detector too close to the unit can lead to nuisance alarms due to slight wisps of smoke emitted during the fire starting or reloading process. Due to this, the smoke detector in the same room as the unit will be most useful if it is located as far from the unit as the room will permit.
- This stove is meant for burning cordwood only; never burn pressure treated wood, kiln dried wood, creosote treated wood (railroad ties), ice covered or wet wood, green wood, drift wood, charcoal, coal, coke or ANY other fuel.
- Burning fuels other than cordwood, particularly coal and charcoal, can result in hazardous concentrations of carbon monoxide being emitted into the dwelling. Installing a carbon monoxide detector and being aware of the symptoms of carbon monoxide poisoning can help reduce the risk of carbon monoxide related issues. For these reasons, NEVER burn coal or charcoal in this cordwood stove.
- This unit was designed for operation only with the loading door closed and tightly latched. Operating this unit with the loading door latched loosely or open will allow excessive combustion air to reach the fire and will result in dangerously high unit temperatures. High unit temperatures can damage the unit, void the warranty or ignite creosote deposited in the chimney system by previous, slow burning fires.
- The natural draft that pulls air through this unit and allows the fire to burn uses the indoor air of the dwelling for combustion, unless the unit is connected to an outside combustion air source. Kitchen range vent hoods, furnaces and other air movement appliances in the home are often also removing air from the dwelling; if the amount of air filtration or leakage back into the home is exceeded by the air being removed, negative pressure may be created in the home.
- Since this is a natural draft appliance, it will often be the first appliance to have problems related to negative pressure. If smoke is forced out the chimney connector joints or out of the air induction system of the unit, the unit is likely fighting negative pressure in the dwelling. Cracking a window or door near the appliance can help equalize the negative pressure; ultimately, an unrestricted source of outside combustion may be necessary for proper unit function.
- If the unit is connected to outside air, be certain to monitor the exterior inlet to the combustion system for icing or snow accumulation. Allowing the outside air connection to become restricted will result in air starvation to the unit.

**DO NOT STORE FUEL CLOSER THAN SPECIFIED CLEARANCES TO COMBUSTIBLES OR WITHIN THE SPACE NEEDED FOR LOADING THE STOVE AND FOR ASH REMOVAL.**

# MAINTENANCE

## Daily Maintenance

- Inspect the firebox for ash accumulation; remove excess ash and follow instructions below regarding disposal. Ash should not be allowed to accumulate in the stove to the point that it covers the coal bed air inlets.

## Monthly Maintenance

- Check the blower for dust accumulation (if installed); check the door handle for proper operation and to be certain an airtight seal is still being made by the door.
- Inspect the chimney system and chimney connector and sweep if necessary. Although cleaning may be required less than monthly, ALWAYS inspect the venting system monthly to decrease the chance of a chimney fire.
- Visually inspect the vermiculite insulating boards in the firebox for cracks and/or breakage. Slight surface cracks will not affect the performance of the boards, but cracked or crumbling boards should be replaced immediately.
- Visually inspect the secondary combustion tubes for cracks, warping and corrosion. Although these tubes are constructed from stainless steel, they operate at very high temperatures and can eventually wear out from normal use.

## Yearly Maintenance

- Check all gaskets (window and door) for wear and to be certain they still maintain an airtight seal. See the following page for instructions.
- Thoroughly clean the chimney system and the chimney connector system. Since the chimney connector is generally exposed to high exhaust temperatures, inspect it carefully for leaks and weak spots; replace any questionable pieces. [In the case of straight through the roof chimney system, be certain to remove the vermiculite baffle **before** pushing the chimney sweeping brush down into the firebox. Forcefully hitting the top of the baffle with a cleaning brush or rod can damage or destroy the baffle.]
- Remove all ash from the stove, including the ash which accumulates on the top of the firebox baffles. Leave the air control open during the non-heating months to allow some air to flow through the stove to help prevent corrosion. A small open container of cat litter in the stove can help prevent corrosion during the humid summer months; be certain to remove it before building a fire in the fall.

**IMPROPER GASKET MAINTENANCE, INCLUDING FAILURE TO REPLACE GASKETS, CAN CAUSE AIR LEAKS RESULTING IN AN UNCONTROLLABLE UNIT.**

**Disposal of Ashes** – Ashes should be placed in a metal container with a tight fitting lid. The closed container of ashes should be placed on a noncombustible floor or on the ground, well away from all combustible materials, pending final disposal. If the ashes are disposed of by burial in soil or otherwise locally dispersed, they should be retained in the closed container until all cinders have been thoroughly cooled.

# MAINTENANCE

## Inspecting Gaskets

An airtight seal at the door opening is crucial to proper stove performance. Any air leakage at this area can cause an over-fire situation and is therefore a serious safety threat. Because of this, gaskets should always be maintained in good condition. Gasket tightness can be checked using the “dollar-bill” method:

- Place a dollar bill between the gasket and the stove body (at the location where the gasket meets the stove).
- Tighten the latching mechanism down and attempt to pull the dollar bill out. If the dollar bill slides in and out easily, the gasket needs to be replaced. This test should be repeated around the entire gasket perimeter, as gaskets will sometimes seal tightly on one side, but will be worn and seal poorly on another side.
- Perform this test around the entire perimeter of the door, and visually inspect the window gasket for any leaks. Leaks in the window gasket can generally be located by following the prevailing soot trails left on the window after burning the unit.
- If any area fails the test, the entire gasket should be replaced. The part number appropriate to the gasket being replaced can be found in the “Illustrated Parts” section of this manual.
- Gaskets should only be replaced with equivalent fiberglass gaskets purchased from England’s Stove Works<sup>®</sup> specifically for this unit.

## Gaskets

1. Door - This unit comes with a  $\frac{5}{8}$ ” rope gasket around the door that should be replaced at least every two years. To replace the door gasket (Part # AC-DGKNC), the old gasket must first be removed entirely — prior to adding the new adhesive, you may have to scrape the old cement from the door channel. Once the cement and gasket have been added, the door should be closed and latched for twenty-four hours to allow the cement to harden.
2. Window - If you are replacing the window gasket (Part # AC-GGK), the new gasket will already have adhesive on one side. First, remove the old gasket. Next, remove the paper on the adhesive side and place the gasket around the outside edge of the glass, centered over the edge. Fold the gasket edges over on the glass, forming a “U” shape.

## Finish

This new unit has been painted with High-Temperature Paint that should retain its original look for years. If the unit should get wet and rust spots appear, the spots can be sanded with fine steel wool and repainted. It is crucial that only High-Temperature Spray Paint is used (Part # AC-MBSP), as others may not adhere to the surface or withstand the high temperatures. Similarly, some brands of paint will not adhere to different brands of paint, so we highly recommend using our proprietary High-Temperature Spray Paint.

# REPLACING COMPONENTS

## Glass

This unit has a ceramic glass panel (Part No. AC-G40) in the viewing door; self adhesive window gasket is included with replacement windows purchased directly from England's Stove Works. Never replace ceramic glass with tempered or any other type of glass and never operate this unit with cracked or broken glass.

- Glass Size: 14.5 in. (368.3 mm) x 10.75 in. (273.05 mm)
- Glass Type: 5mm Ceramic Glass (Keralite Pyroceram)
- Glass Manufacturer: Eurokera

## Glass Precautions

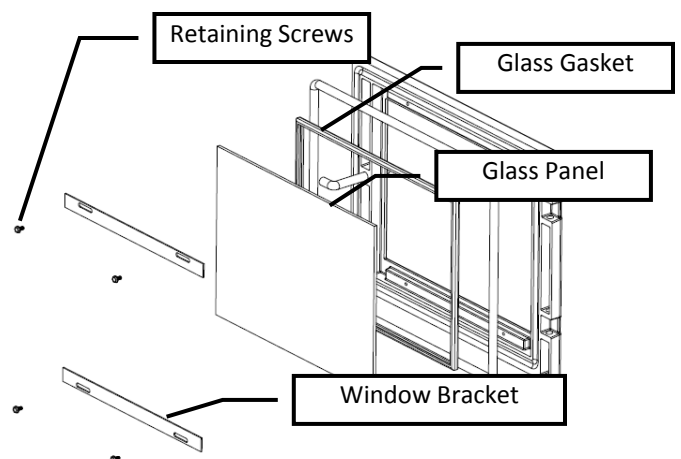
1. Never replace ceramic glass with tempered or any other type of glass.
2. Never operate this unit with cracked or broken glass.
3. Do not slam the door or strike the glass with any objects.
4. Do not build the fire directly against the glass.

## Glass Cleaning

1. Be certain the stove **and** the glass are completely cool.
2. The build-up on the glass will generally be light and water is normally sufficient to remove the deposits. If stubborn soot persists, use a cleaner made specifically for this purpose. Do not scrape the glass or use abrasive cleaners.
3. Rinse the glass with clean water and dry the glass before resuming normal operation.

## Glass Replacement

1. Remove the door from the stove and rest it face down on a firm work surface.
2. Using a 5/16" wrench, remove the four window bracket retaining screws.
3. Remove the two window brackets from the door. Take extra care to avoid shards of glass if the glass window has been broken.
4. Lift the old glass panel out of the door and discard.
5. The new glass panel must be wrapped with a self-adhesive fiberglass tape gasket (AC-GGK). This gasket serves to cushion the glass from the cast iron door.
6. Reinstall the window retaining brackets using the four screws previously removed. Do not over-tighten the screws.



## TROUBLESHOOTING

Issue	Cause	Solution(s)	
Stove smokes into room	1. Weak Draft	1.1 Be certain chimney is sufficiently tall to meet the 10-3-2 rule. 1.2 Add additional height to the chimney.	
	2. Negative Pressure in the Home	2.1 Add an outside combustion air hookup to the unit.	
Fire is hard to start	3. Weak Draft	3.1 Be certain chimney is sufficiently tall to meet 10-3-2 rule. 3.2 Add additional height to the chimney system.	
	4. Cold Chimney	4.1 Heat the flue first by burning crumpled newspaper in the stove. 4.2 Install an insulated chase around external chimneys.	
		5. Downdraft in Chimney	5.1 Be certain chimney is sufficiently tall to meet 10-3-2 rule. 5.2 Try heating the flue with a hair-dryer to correct the draft.
	Glass is dirty	6. Wet or Green Wood	6.1 Only burn wood that is seasoned for at least one year and that is dry and free of ice and snow.
		7. Operating Stove at Low Burn Rate	7.1 Operate the stove at higher burn rates to allow the air-wash system to keep the glass clean.
8. Wood Loaded Too Close to Glass		8.1 Never load wood so that it is touching the ceramic glass viewing window.	
Coals build up in firebox	9. Operating Stove at High Burn Rates	9.1 Reduce combustion air control and allow coals to burn down before reloading.	
Fire burns out of control	10. Excessive Draft	10.1 Reduce chimney height.	
	11. Air Leakage	11.1 Inspect window and door gaskets and replace if necessary.	
	12. Burning Excessively Dry Wood	12.1 Only burn seasoned cord wood. Do not burn kiln dried wood or pallet wood.	
Excessive smoke from stack	13. Operating Stove at Low Burn Rate	13.1 Operate the stove at a higher burn rate which will create secondary combustion.	
	14. Wet or Green Wood	14.1 Only burn wood that is seasoned for at least one year and that is dry and free of ice and snow.	
	15. Not Charring Fresh Wood Load	15.1 Char the fresh wood load until it is completely ignited and active secondary combustion is present in the firebox.	

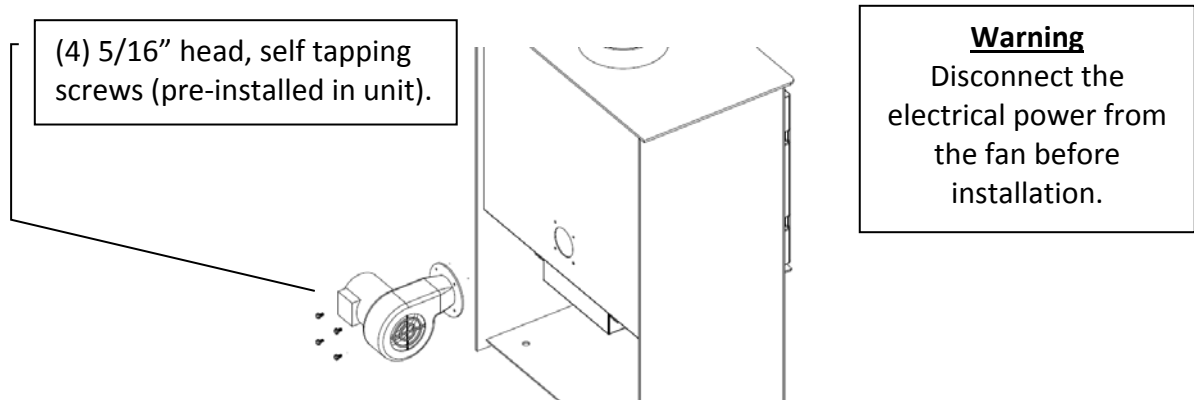
## REPLACEMENT PARTS LIST

Diagram No.	Description	Part No.	Per Unit
1	Air Control Slider	AC-17ACS	1
2	Outside Air Adapter	AC-17OAA	1
3	Right Vermiculite Panel	AC-17RBR	1
4	Left Vermiculite Panel	AC-17RBL	1
5	Rear Vermiculite Panel	AC-17RBB	2
6	9" x 4" x 1.25" Firebrick	AC-SB	4
7	Top Vermiculite Baffle	AC-17RBT	1
8	Door Gasket [5/8" dia HD]	AC-DGKNC	1
9	Window Gasket	AC-GGK	1
10	Ceramic Glass Panel	AC-G40	1
11	Window Retaining Brackets	AC-GS16	2
12	Cast Iron Door	CA-16	1
13	Secondary Tube (Front)	AC-17BTF	1
14	Upper Refractory Baffle	AC-17URBVL	1
15	Secondary Tube (Rear)	AC-17BTR	1
Not Shown	Large Spring Handle	AC-SH (Brass)	1
		AC-SHN (Nickel)	
Not Shown	Air Control Spring Handle	AC-SH4 (Brass)	1
		AC-SH4N (Nickel)	

## OPTIONAL ACCESSORIES

### AC-16 Convection Blower

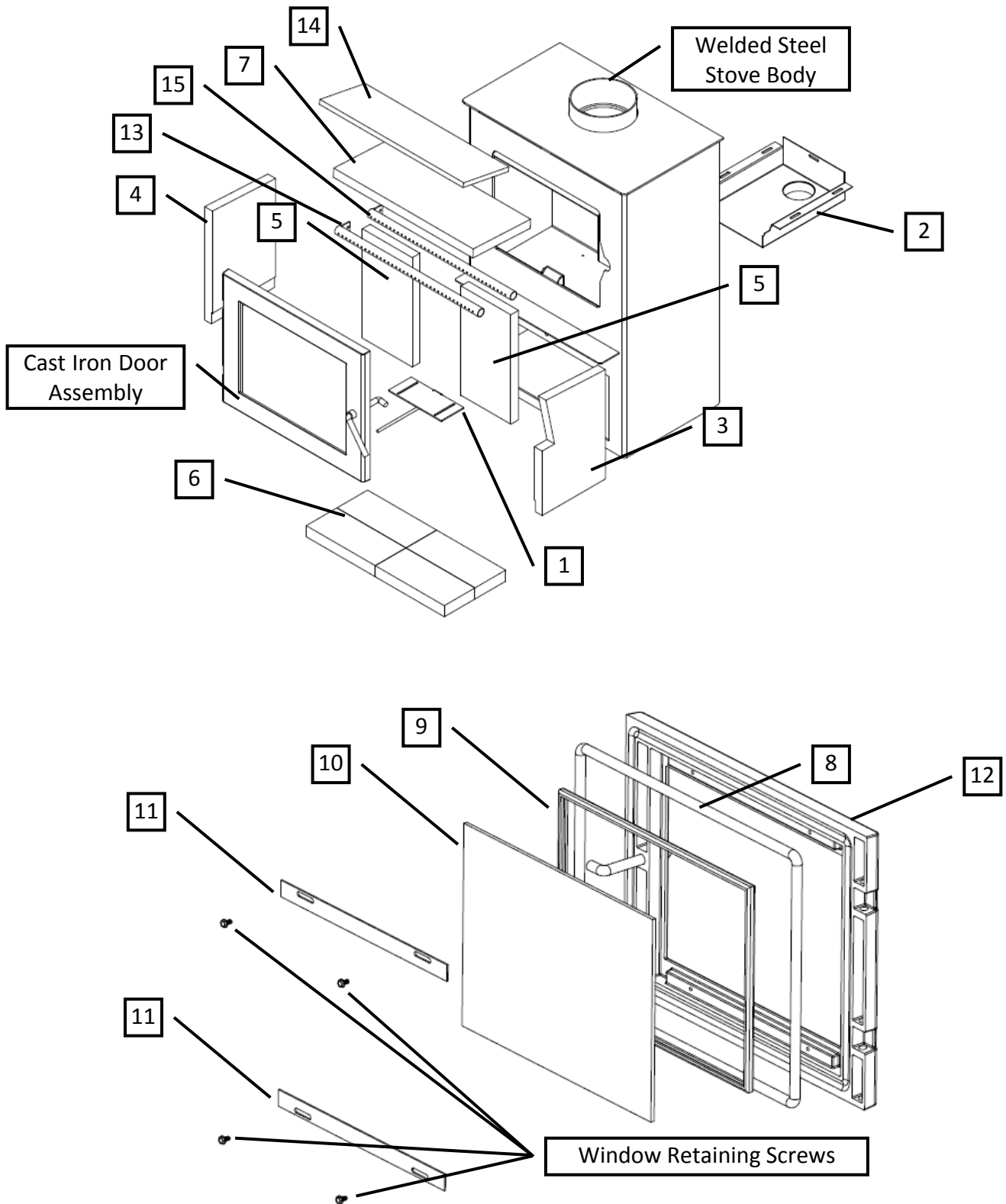
The Tranquility wood stove was also designed for use with a convection blower for additional heat circulation. The stove is constructed with rear and top convection channels which allow the room air blower to pick up heat from the hottest regions of the stove and transfer it into the home. The mounting screws for the blower are installed into the rear convection channel at the factory; mounting the blower only requires a 5/16" open end or socket wrench to remove these screws and install the blower. When routing the power cord, take care to keep away from hot areas of the unit and remember that this blower is for use only with the stove. Please see the diagram below for clarification on the room air blower installation.



The optional heat circulation blower on this stove requires periodic lubrication; this lubrication should be performed no less than every three months of normal operation. To properly lubricate the blower, use an eye dropper or similar dispensing device to drip 5-7 droplets of SAE 20 oil into the oil port on the side of the blower motor.



# ILLUSTRATED PARTS DIAGRAM



SOLID FUEL BURNING ROOM HEATER

MODEL: 17-VL, 17-VLP, 50-SVL17, 50-SVL17P, 50-TVL17, 50-TVL17P



SERIAL NO.

MFG. DATE

MFG. BY:  
England's Stove Works, Inc.  
P.O. Box 206  
Monroe, VA 24574

TESTED TO: UL-1482 AND ULC-627-00  
ROOM HEATER, SOLID FUEL TYPE, ALSO FOR USE IN MOBILE HOMES

DO NOT REMOVE OR COVER THIS LABEL

- PREVENT HOUSE FIRES – INSTALL AND USE ONLY IN ACCORDANCE WITH THE OWNER'S MANUAL PROVIDED WITH THIS APPLIANCE.
- CONTACT LOCAL BUILDING OR FIRE OFFICIALS ABOUT RESTRICTIONS AND INSTALLATION INSPECTIONS IN YOUR AREA.

INSTALLATION REQUIREMENTS

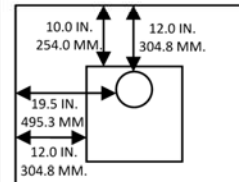
- DO NOT CONNECT THIS UNIT TO A CHIMNEY FLUE SERVING ANOTHER APPLIANCE.
- USE A RESIDENTIAL TYPE MASONRY OR FACTORY BUILT CHIMNEY LISTED TO UL-103 HT (US) AND ULC-629 (CANADA).
- USE 24 GAUGE MSG BLACK SINGLE WALL CHIMNEY CONNECTOR OR LISTED DOUBLE WALL CHIMNEY CONNECTOR.
- REFER TO LOCAL CODES AND THE CHIMNEY MANUFACTURER'S INSTRUCTIONS FOR PRECAUTIONS REQUIRED FOR PASSING A CHIMNEY THROUGH A COMBUSTIBLE WALL OR CEILING.
- FOR THE US: PLACE ON A NON-COMBUSTIBLE FLOOR PROTECTOR WITH A MINIMUM R-VALUE OF 0.5, WHICH EXTENDS 16.0 IN. TO THE FRONT AND 8.0 IN. TO EACH SIDE OF THE FUEL LOADING OPENING.
- FOR CANADA: PLACE ON A NON-COMBUSTIBLE FLOOR PROTECTOR WITH A MINIMUM R-VALUE OF 0.5, WHICH EXTENDS 450.0 MM. TO THE FRONT AND 200.0 MM. TO EACH SIDE OF THE FUEL LOADING OPENING.
- DO NOT OBSTRUCT THE SPACE BENEATH THE HEATER.
- ADHERE TO THE LISTED MINIMUM CLEARANCES TO COMBUSTIBLES WHEN USING SINGLE WALL CHIMNEY CONNECTOR. SEE THE OWNER'S MANUAL FOR ADDITIONAL CLEARANCE INFORMATION.
- ONLY OPERATE THIS UNIT WITH THE DOOR CLOSED AND LATCHED TIGHTLY.
- THE MAIN LOADING DOOR CONTAINS A CERAMIC VIEWING WINDOW; DO NOT SLAM THE DOOR OR STRIKE THIS VIEWING WINDOW AT ANY TIME.
- IF THE GLASS IS CRACKED OR BROKEN, REPLACE WITH CERAMIC GLASS ONLY.
- MEETS EPA PARTICULATE MATTER REQUIREMENTS FOR WOOD HEATERS BUILT AFTER JULY 1, 1990 UNDER EPA 40 CFR 60.533(H).
- OPTIONAL BLOWER ELECTRICAL RATING: 115 V, 60 Hz, 0.8 A

OPERATION REQUIREMENTS – FOR USE WITH SOLID WOOD FUEL ONLY. DO NOT OVER-FIRE, IF HEATER OR CHIMNEY CONNECTOR GLOWS, YOU ARE OVER-FIRING. INSPECT AND CLEAN CHIMNEY FREQUENTLY, UNDER CERTAIN CONDITIONS OF USE, CREOSOTE BUILDUP MAY OCCUR RAPIDLY. DO NOT USE A GRATE OR ELEVATE THE FIRE, BURN WOOD FIRE DIRECTLY ON THE HEARTH. RISK OF SMOKE AND FLAME SPILLAGE, OPERATE ONLY WITH DOOR FULLY CLOSED.

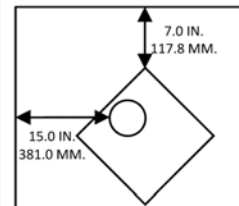


**CAUTION:** HOT WHILE IN OPERATION. DO NOT TOUCH. KEEP CHILDREN & CLOTHING AWAY. CONTACT MAY CAUSE SKIN BURNS. SEE DATA PLATE & INSTRUCTIONS. KEEP FURNISHINGS AND OTHER COMBUSTIBLES FAR AWAY FROM APPLIANCE.

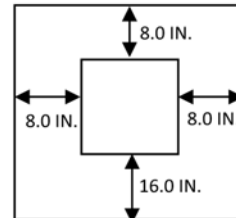
CLEARANCES TO WALLS  
(US & CANADA)



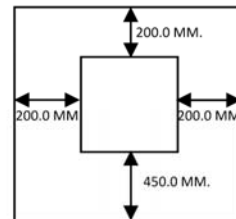
SIDEWALL – BACKWALL  
INSTALLATION



CORNER INSTALLATION



US ONLY FLOOR PROTECTION



CANADA ONLY FLOOR PROTECTION

You may write your unit's Manufacture Date and Serial Number in the blank spaces on this sample tag, for future reference. This sample tag also shows the safety info. such as UL (ULC) testing standard, etc. for your local officials, or anyone else who may need reference information.

## **LIMITED FIVE (5) YEAR WARRANTY**

**From the date of purchase to the original owner**

The manufacturer extends the following warranties:

### **Five Year Period:**

1. Carbon steel and welded seams in the firebox are covered for five (5) years against splitting.
2. The cast iron door and hinges are covered for five (5) years against cracking.

### **One Year Period:**

1. Electrical components, accessory items, glass and the painted surface of the stove are covered for one (1) year from the date of purchase.

### **Conditions and Exclusions**

1. Damage resulting from over-firing will void your warranty.
2. This warranty does not apply if damage occurs because of an accident, improper handling, improper installation, improper operation, abuse or unauthorized repair made or attempted to be made.
3. The manufacturer is not liable for indirect, incidental, or consequential damages in connection with the product including any cost or expense, providing substitute equipment or service during periods of malfunction or non-use.\*
4. All liability for any consequential damage for breach of any written or implied warranty is disclaimed and excluded.
5. This warranty does not cover internal wear parts of the combustion system, including the vermiculite firebox lining and gaskets.

- Some states do not allow the exclusion of limitations of incidental or consequential damages, so the above may not apply to you.

## **Procedure**

Purchaser must give notice of claim of defect within the warranty period and pay transportation to and from a service center designated by the manufacturer. The dealer from which the unit was purchased or the factory, at our option, will perform the warranty service.

## **Other Rights**

This warranty gives you specific legal rights; you may also have other rights, which may vary from state to state.

Please Note: This warranty is null and void if the attached warranty registration AND a copy of the sales receipt is not returned within thirty (30) days from the date of purchase.

**Warranty is not transferable.**

## WARRANTY REGISTRATION for England's Stove Works®

### Purchaser Information

I. Purchased By (Name) \_\_\_\_\_

II. Address \_\_\_\_\_

III. City \_\_\_\_\_ State \_\_\_\_\_ Zip Code \_\_\_\_\_

IV. Telephone Number \_\_\_\_\_

V. Email Address \_\_\_\_\_

### Dealer Information

VI. Purchased From \_\_\_\_\_

VII. Address \_\_\_\_\_

VIII. City \_\_\_\_\_ State \_\_\_\_\_ Zip Code \_\_\_\_\_

### Unit Information

\*Refer to the sticker on the back of the manual or box to complete this section.

IX. Model Number \_\_\_\_\_ Purchase Date \_\_\_\_\_

X. Purchase Price \_\_\_\_\_

XI. Serial Number \_\_\_\_\_ Mfg. Date \_\_\_\_\_

### Purchase Questions

How did you first hear about our product? (Please check one)

Word of Mouth \_\_\_\_\_ Burn Trailer Demonstration \_\_\_\_\_ Internet \_\_\_\_\_

Other: \_\_\_\_\_

Where did you receive information about our product?

Via Telephone \_\_\_\_\_ Dealer (Name of dealer) \_\_\_\_\_ Internet \_\_\_\_\_

Other: \_\_\_\_\_

## **Important Notice**

This registration information **MUST** be on file for this warranty to be valid. Please mail this information within thirty (30) days from the original date of purchase.

Use any of these three easy ways to send your warranty information in!

### **Mailing Address**

England's Stove Works, Inc.  
Technical Support Department  
P.O. Box 206  
Monroe, Virginia 24574

### **Fax Number**

(434) 929-4810 – Twenty-four hours a day.

### **Online Registration**

Visit our warranty registration website at:

<http://www.heatredefined.com/support/warranty-registrations/>

**WOOD** - Meets the 2015 U.S. Environmental Protection Agency's crib wood emission limits for wood heaters sold after May 15, 2015

**PLEASE NOTE:**

**EPA INFORMATION**

The following additions to your owner's manual will enable you to achieve optimal emissions performance from your stove. Important safety tips are also included.

- *Proper Installation* – Please refer to the Installation section of your owner's manual and follow the guidelines listed therein for safety and for optimal emissions performance.

Additional information:

Venting Introduction:

Draft: Draft is the force which moves air from the appliance up through the chimney. The amount of draft in your chimney depends on the length of the chimney, local geography, nearby obstructions and other factors. Too much draft may cause excessive temperatures in the appliance and may damage the catalytic combustor. Inadequate draft may cause backpuffing into the room and 'plugging' of the chimney or the catalyst.

Inadequate draft will cause the appliance to leak smoke into the room through appliance and chimney connector joints.

An uncontrollable burn or excessive temperature indicates excessive draft.

Please be mindful of installation location: Inversion and other air quality issues can arise in valleys or if unit is installed close to neighboring homes.

This wood stove operates on a natural draft system, in which the chimney system pulls air through the stove. This unit must be installed in accordance with the following detailed descriptions of venting techniques; not installing the stove in accordance with the details listed here can result in poor stove performance, property damage, bodily injury or death. Avoid make-shift compromises when installing the venting system. England's Stove Works is not responsible for any damage incurred due to a poor or unsafe installation.

Be certain that all aspects of the venting system are installed to the venting manufacturer's instructions, particularly the required clearances to combustibles. Also, be certain to use an attic radiation shield to prevent insulation from contacting a chimney which passes through an attic.

The chimney system is the "engine" which drives a wood stove, so it is imperative for proper unit function that the venting system be installed exactly as described in the following section.

If questions arise pertaining to the safe installation of the stove, our Technical Support line (800-245-6489) is available. Contact your local code official to be certain your installation meets local and national fire codes, and if you're uncertain about how to safely install the stove, we strongly recommend contacting a local NFI certified installer to perform the

installation.

Venting Guidelines:

**ALWAYS** install vent pipe in strict adherence to the instructions and clearances included with your venting system.

- **DO NOT** connect this wood stove to a chimney flue which also serves another appliance.
- **DO NOT** install a flue pipe damper or any other restrictive device in the exhaust venting system of this unit.
- **USE** an approved wall thimble when passing through a wall and a ceiling support/fire stop when passing through a ceiling.
- **INSTALL** three sheet metal screws at every chimney connector joint.
- **AVOID** excessive horizontal runs and elbows, as both will reduce the draft of the venting system and will result in poor stove performance.
- **INSPECT** your venting system often, to be certain it is clear of creosote, fly-ash and other restrictions.
- **CLEAN** the venting system as detailed in the maintenance section of this manual.
- **ADHERE** to the 10-3-2 rule regarding chimney terminations.
- **INSTALL** single wall chimney connector with the male end **down** to prevent creosote

leakage. Follow double wall chimney connector manufacturer's instructions regarding proper pipe installation.

**WARNING:** Venting system surfaces get HOT, and can cause burns if touched. Noncombustible shielding or guards may be required

The 10-3-2 Rule: The chimney system must terminate 3.0 ft above the point where it's centerline passes through the roof AND the chimney must terminate 2.0 ft. above part of the dwelling within a 10 ft. radius of the chimney.

- *Operation and Maintenance* – Please refer to the 'Operation' (Operating Instructions) and Maintenance (including Ash Removal/Disposal) sections of your owner's manual and follow the guidelines listed therein for safety *and* for optimal emissions performance.

Additional Information:

Following the instructions in your owner's manual for Building a Fire will ensure a proper fire, as well as helping minimize visible emissions.

More:



- *Fuel loading and re-loading:* Practical Tips for Building a Fire – See your owner’s manual for information on loading (and re-loading) your fuel, as well as for fire-starting procedures (i.e. ‘Building a Fire’).
- *Top-Down Fires:* The US EPA recognizes ‘the effectiveness of the top-down approach for starting fires.’ A good tutorial for this approach may be found at <http://woodheat.org/top-down-steps.html> . When building top-down fires, be sure to follow the instructions found in your owner’s manual and contact our Technical Support if you have any questions.
- *Fuel Selection:* Once your wood-burning appliance is properly installed, building an effective fire requires good firewood (using the right wood in the right amount) and good fire building practices. The following practical steps will help you obtain the best efficiency from your wood stove or fireplace.
  - Season wood outdoors through the summer for at least 6 months before burning it. Properly seasoned wood is darker, has cracks in the end grain, and sounds hollow when smacked against another piece of wood.
  - Store wood outdoors, stacked neatly off the ground with the top covered.
  - Burn only dry, well-seasoned wood that has been split properly.
  - Start fires with newspaper and dry kindling as discussed earlier in the manual.
  - Burn hot fires.
  - To maintain proper airflow, regularly remove ashes from your wood-burning appliance into a metal container with a cover and store outdoors.

### Moisture Meter Information

- Firewood is ready at 10-25% moisture content.
- Newly-cut logs can have a moisture content (MC) of 80% or more, depending on species. Since wood shrinks, and can also split, twist or otherwise change shape as it dries, most wood is dried before being used. Air drying, or ‘seasoning,’ is the most common method used for cord wood. In most parts of the United States, the minimum moisture content that can be generally obtained in air drying is about 12 to 15 percent. Most air-dried material is usually closer to 20 percent moisture content when used
- To test your firewood, simply push the pins into the wood and wait for a reading. Remember, **don’t just stick the meter into the ends of your firewood**. To get the most accurate reading, split the wood and test the center. The center of the log will contain the most moisture.

### How Far Should I Drive Non-Insulated Pins into Wood?

- To full depth if possible. However, at moisture levels below 10%, it is usually sufficient to make good, positive contact with the wood. At higher levels of moisture and especially if you have a steep gradient, full penetration is a must.

- **WHAT FUELS NOT TO USE:**

**CAUTION**

- **NEVER USE GASOLINE, GASOLINE-TYPE LANTERN FUEL, KEROSENE, CHARCOAL LIGHTER FLUID, OR SIMILAR LIQUIDS TO START OR “FRESHEN UP” A FIRE IN THIS HEATER. KEEP ALL SUCH LIQUIDS WELL AWAY FROM THE HEATER WHILE IN USE. ADDITIONALLY, NEVER APPLY FIRE-STARTER TO ANY HOT SURFACE OR EMBERS IN THE STOVE. DO NOT USE CHEMICALS OR FLUIDS**
  - **TO START THE FIRE.**
- **DO NOT BURN FLAMMABLE FLUIDS SUCH AS GASOLINE, NAPHTHA OR ENGINE OIL.**
  - **DO NOT BURN GARBAGE; LAWN CLIPPINGS OR YARD WASTE; MATERIALS CONTAINING RUBBER, INCLUDING TIRES; MATERIALS CONTAINING PLASTIC; WASTE PETROLEUM PRODUCTS, PAINT OR PAINT THINNERS, OR ASPHALT PRODUCTS; MATERIALS CONTAINING ASBESTOS; CONSTRUCTION OR DEMOLITION DEBRIS; RAILROAD TIES OR PRESSURE-TREATED WOOD; MANURE OR ANIMAL REMAINS; SALT WATER DRIFTWOOD OR OTHER PREVIOUSLY SALT WATER SATURATED MATERIALS; UNSEASONED WOOD; PAPER PRODUCTS, CARDBOARD, PLYWOOD OR PARTICLEBOARD. THE PROHIBITION AGAINST BURNING THESE MATERIALS DOES NOT PROHIBIT THE USE OF FIRESTARTERS MADE FROM PAPER, CARDBOARD, SAWDUST, WAX AND SIMILAR SUBSTANCES FOR THE PURPOSE OF STARTING A FIRE IN AN AFFECTED WOOD HEATER. BURNING THESE MATERIALS MAY RESULT IN RELEASE OF TOXIC FUMES OR RENDER THE HEATER INEFFECTIVE AND CAUSE SMOKE.**

- **Safe Wood-burning Practices**

Once your wood-burning appliance is properly installed, follow these guidelines for safe operation:

- Keep all flammable household items—drapes, furniture, newspapers, and books—far away from the appliance.
- Start fires only with newspaper, dry kindling and all natural or organic fire starters. Never start a fire with gasoline, kerosene, or charcoal starter.
- Do not burn wet or green (unseasoned) logs.
- Do not use logs made from wax and sawdust in your wood stove – they are made for open hearth fireplaces. If you use manufactured logs, choose those made from 100 percent compressed sawdust.
- Build hot fires. For most appliances, a smoldering fire is not a safe or efficient fire.
- Keep the doors of your wood-burning appliance closed unless loading or stoking the live fire. Harmful chemicals, like carbon monoxide, can be released into your home.
- Regularly remove ashes from your wood-burning appliance into a metal container with a cover. Store the container of ashes outdoors on a cement or brick slab (not on a wood deck or near wood). See ash removal instructions in your owner’s manual.
- Keep a fire extinguisher handy.
- Remember to check your local air quality forecast before you burn.

- *Air Controls:* SEE YOUR OWNER’S MANUAL for information on the Proper Use of Air Controls (in the Operation section).
- *ASH REMOVAL* – Follow your Owner’s manual’s instructions regarding removal and disposal of ashes.
- *REPLACEMENT of parts that are critical to emissions performance* – Follow your Owner’s manual’s instructions regarding replacement of gaskets and other parts that are critical to emissions performance.

Remember: “This wood heater needs periodic inspection and repair for proper operation. It is against federal regulations to operate this wood heater in a manner inconsistent with operating instructions in this manual.”

More: Burner Tubes – To replace a tube, first be sure that you order the correct tube you need to replace. Then using a 5/16” socket or open end wrench, remove the screw located on the left side of the tube. Be sure to keep the screw. Push the tube to the right then remove the tube (pulling the tube back to the left after that side has been removed from the hole). To replace, reverse the above procedure...make sure to install the tubes in the correct order. (Front to Back)

- **Smoke Detectors**

England’s Stove Works, Inc. highly recommends the use of smoke detectors in every room of the house. However, locating a smoke detector directly above this unit can result in nuisance alarms.

**CAUTION**

**This unit is meant to operate only with door closed. Smoke spillage and an inefficient, lazy burn will result from attempting to operate the stove with the door open. Additionally, using prohibited fuels can create an unsafe situation and can also generate excess carbon monoxide. Carbon monoxide is an odorless, colorless gas which can be deadly. The use of a carbon monoxide detector is strongly recommended.**

- *Compliance:* “This non-catalytic wood heater meets the 2015 U.S. Environmental Protection Agency’s crib wood emission limits for wood heaters sold after May 15, 2015.”
- *Tamper Warning:* “This wood heater has a manufacturer-set minimum low burn rate that must not be altered. It is against federal regulations to alter this setting or

otherwise operate this wood heater in a manner inconsistent with operating instructions in this manual.”

- *Warranty:* See your Owner’s manual for a Warranty Registration instruction page, as well as instructions for warranty procedures. For parts, warranty replacement procedures may be found at our parts store site: [www.store.heatredefined.com](http://www.store.heatredefined.com)

# POÊLE À BOIS TRANQUILITY



MANUEL D'INSTALLATION ET D'UTILISATION  
17-VL, 50-SVL17 ET 50-TVL17      17-VLP, 50-SVL17P ET 50-TVL17P



Fabriqué par :  
England's Stove Works, Inc.  
P.O. Box 206  
Monroe, VA 24574

Rev. 10/18/2016

Pour un service en Français – Courriel:  
[infoenfrancais@englanderstoves.com](mailto:infoenfrancais@englanderstoves.com)  
Telephone (844) 411-2654

## MISE EN GARDE

Veuillez lire la totalité de ce mode d'emploi avant l'installation et l'utilisation de ce poêle à bois. Tenir les enfants, le mobilier, les accessoires et toutes les matières combustibles à l'écart de tout appareil de chauffage.

## CONSIGNE DE SÉCURITÉ

Le non-respect de ces directives pourrait entraîner des dommages matériels, des blessures corporelles et même la mort. Pour votre sécurité et votre protection, suivre toutes les directives d'installation. Communiquer avec le service local de la construction ou le service d'incendie relativement aux restrictions et aux exigences d'inspection de l'installation (y compris les permis) dans votre quartier.

**CONSERVER CES DIRECTIVES.**

**IMPORTANT : SI VOUS AVEZ DES PROBLÈMES AVEC CET APPAREIL, NE PAS LE RETOURNER AU VENDEUR. COMMUNIQUER AVEC L'ASSISTANCE TECHNIQUE AU 1-800-245-6489.**

**Utilisation dans les maisons mobiles :**

Ce poêle à bois autoportant est approuvé pour les maisons mobiles ou une installation en double largeur avec raccordement de la combustion à l'air extérieur. Voir la section « Installation » de ce manuel pour les détails relatifs aux installations dans des maisons mobiles. Il faut faire l'installation dans une maison mobile en conformité avec la norme « Manufactured Home and Safety Standard (HUD), CFR 3280. partie 24 ».

Date d'achat \_\_\_\_\_

Date de fabrication \_\_\_\_\_

Numéro de série \_\_\_\_\_

\* Cette information se trouve sur l'étiquette de sécurité attachée à l'arrière de l'appareil. Avoir l'information en main lorsque vous téléphonez à l'usine ou à votre vendeur au sujet de ce produit.

### **MISE EN GARDE**

- Tenir les enfants à l'écart.
- Surveiller les enfants dans la même pièce que cet appareil.
- Prévenir les enfants et les adultes des dangers des températures élevées.
- NE PAS utiliser avec les protections ouvertes ou retirées.
- Chaud lorsqu'il fonctionne! Tenir les vêtements, les meubles, les draperies et autres combustibles à l'écart. Le contact peut causer des brûlures de la peau!
- L'installation doit être conforme aux codes et règlements locaux, régionaux, étatiques et nationaux.
- Communiquer avec le service local de la construction, le service d'incendie ou les autorités ayant juridiction relativement aux restrictions, à l'inspection de l'installation et aux permis.

# TABLE DES MATIÈRES

## Introduction

- Introduction ..... 4

## Spécifications

- Spécifications de chauffage ..... 5
- Dimensions..... 5
- Conformité à l'EPA ..... 5

## Installation

- Vue d'ensemble de l'installation.. 6
- Espacements des matières combustibles ..... 7
- Introduction à l'évacuation..... 8
- Directives relatives à l'évacuation de fumée ..... 8
- Autre information sur l'évacuation9
- Passages dans les murs ..... 10
- Méthodes d'évacuation approuvées
  - À travers le mur ..... 11
  - Par le plafond ..... 12
  - Cheminée de maçonnerie 13
- Installation dans une maison mobile ..... 14
- Raccordement à l'air extérieur .. 14
- Protection du plancher ..... 15
- Calculs de la valeur R ..... 17

## Utilisation

- Premiers feux ..... 18
- Allumer un feu ..... 18
- Utilisation continue..... 18
- Conseils de sécurité ..... 19

## Entretien

- Remarques importantes ..... 21
- Inspection des joints d'étanchéité22
- Remplacement de la vitre ..... 23

## Guide de dépannage

- Dépannage ..... 24

## Accessoires en option

- Ventilateur AC-16..... 25

## Détail des pièces illustrées

- Liste des pièces ..... 25
- Vue éclatée des pièces..... 27

## Garantie

- Détails sur la garantie ..... 29-30
- Formulaire d'enregistrement de garantie ..... 31-32
- EPA .....33

**NE PAS RACCORDER À UN CONDUIT OU UN SYSTÈME DE DISTRIBUTION D'AIR.**

**NE PAS UTILISER DE PRODUITS CHIMIQUES NI DE LIQUIDES POUR ALLUMER LE FEU.**

**NE PAS BRÛLER DE DÉCHETS OU DE LIQUIDES COMME L'ESSENCE, LE NAPhte OU L'HUILE DE MOTEUR.**

## **INTRODUCTION**

Nous vous remercions d'avoir acheté cet excellent produit d'England's Stove Works!

England's Stove Works appartient toujours à la famille qui l'a établie et qui croit fortement à l'esprit « Faites-le vous-même » – une raison pour laquelle vous trouvez ce produit dans votre magasin « Faites-le vous-même » favori.

Nous concevons et fabriquons volontairement nos poêles afin qu'un propriétaire puisse entretenir son appareil avec des outils de base et nous sommes toujours heureux de vous montrer comment faire le travail aussi facilement et économiquement que possible. Cependant, bien que simples, nos poêles sont conçus pour fonctionner de façon très efficace en offrant plus de chaleur avec moins de combustible. Veuillez consulter notre large section d'aide sur notre site Web et appeler notre service d'assistance technique au (800) 245-6489 si vous avez besoin d'aide relativement à votre appareil. Nous sommes presque toujours capables de vous aider « à passer au travers » des problèmes d'installation, réparations, problèmes ou questions que vous pourriez avoir.

Nous vous souhaitons des années de chauffage efficace, de qualité et confortable.

### **TOUT LE MONDE TRAVAILLE À ENGLAND'S STOVE WORKS**

Veuillez prendre note : Si l'information obtenue sur notre site Web et grâce à notre ligne d'assistance technique est toujours gratuite, il y aura des frais pour toute réparation ou tout entretien « sur place » que nous pourrions effectuer.

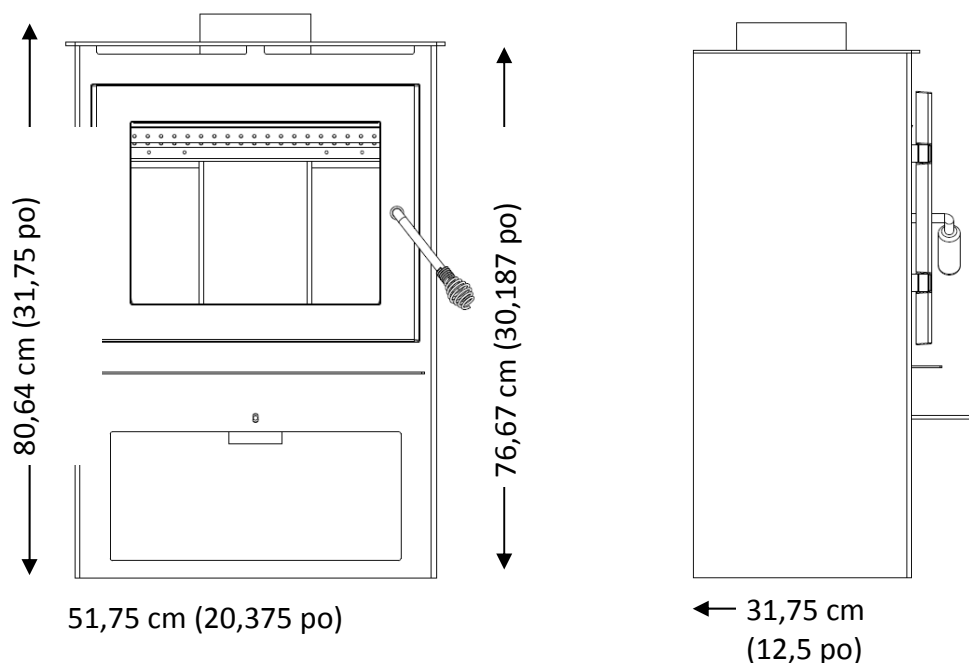


# SPÉCIFICATIONS

## Spécifications de chauffage

- Rendement de chaleur maximal..... 40 000 BTU/h
- Durée maximale de combustion\*\* ..... 6 heures
- Superficie approximative chauffée\*\*\* ..... 47 m<sup>2</sup> à 112 m<sup>2</sup> (500 à 1 200 pi<sup>2</sup>)
- Capacité de la chambre de combustion .....20,4 kg (45 lb)
- Buse.....15,25 cm (6 po) ronde

## Dimensions



## L'EPA et les spécifications de conformité à la sécurité

- Conformité à l'EPA ..... certifié
- Émissions de particules..... 4,3 g/h
- Efficacité\* ..... 63 %
- Testé à ..... UL-1482, ULC-S627-00

\*- Cet appareil n'a pas été testé pour l'efficacité; l'efficacité indiquée est une valeur par défaut normalement atteinte par des appareils non catalytiques homologués semblables.

\*\* - La durée maximale de combustion dépend fortement du type de bois brûlé dans le poêle; ces chiffres peuvent donc varier.

\*\*\* - La capacité maximale de chauffage de cet appareil peut varier grandement selon le climat, le type de construction, l'isolation et de nombreux autres facteurs. Utiliser cette information avec le calcul de perte en BTU de votre maison pour déterminer si cet appareil suffira à vos besoins.

# **INSTALLATION**

## Vue d'ensemble de l'installation

Lorsque vous choisissez un emplacement pour votre nouveau poêle, il faut tenir compte de nombreux facteurs avant l'installation.

1. Voies de circulation – Pour éviter des accidents, le poêle ne doit pas être installé dans un emplacement sur les voies de circulation normales dans la maison.
2. Débit de chaleur – Lors du choix de l'emplacement, tenir compte de la circulation de la chaleur dans la maison. Installer le poêle où vous avez besoin de chaleur; souvent, les installations en sous-sol ne permettent pas à la chaleur de monter aux étages supérieurs et une installation à l'étage ne permet pas à la chaleur de descendre aux étages inférieurs. La chaleur monte toujours et prend le chemin de moindre résistance lorsqu'elle est encore chaude.
3. Emplacement de l'évacuation – Le moteur d'un foyer est la cheminée, il est donc important de considérer précisément la façon dont la cheminée sera intégrée au poêle. Idéalement, la cheminée d'un poêle devrait être complètement verticale à partir de la buse de l'appareil jusqu'à l'extrémité se terminant au-dessus du toit. Une cheminée située à l'intérieur de la portion chauffée de la maison assurera un tirage fort et facile à amorcer. Bien qu'une cheminée extérieure fonctionne habituellement adéquatement, elle est plus sujette à subir des refoulements d'air froid à l'allumage ou d'un faible tirage de l'appareil. Considérez aussi la section du carneau de la cheminée, malgré qu'on puisse utiliser une cheminée existante, une grande cheminée en maçonnerie extérieure peut empêcher l'appareil de fonctionner correctement. Dans ce cas, l'utilisation d'une chemise de cheminée est requise afin de fournir le tirage nécessaire.
4. Construction du mur – Choisir l'emplacement du poêle afin que le système d'évacuation passe entre les montants simplifiera l'installation et éliminera le besoin de refaire des sections de murs ou de plafond pour poser le manchon d'emboîtement ou la boîte d'encastrement de plafond.

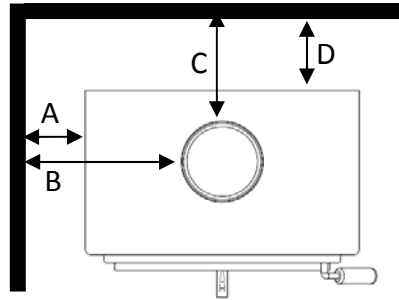
## **AVERTISSEMENT**

- Ne pas entreposer ou utiliser d'essence ou autres vapeurs et liquides inflammables à proximité de cet appareil.
- Ne pas surchauffer – si des pièces extérieures commencent à luire, vous êtes en train de surchauffer. Réduire l'admission d'air. La surchauffe annulera votre garantie.
- Installer avec des espacements minimaux aux murs comme il est spécifié. Omettre de s'y conformer pour causer un incendie.
- Seul le bois de chauffage a été testé et approuvé. Brûler un autre combustible annulera la garantie.

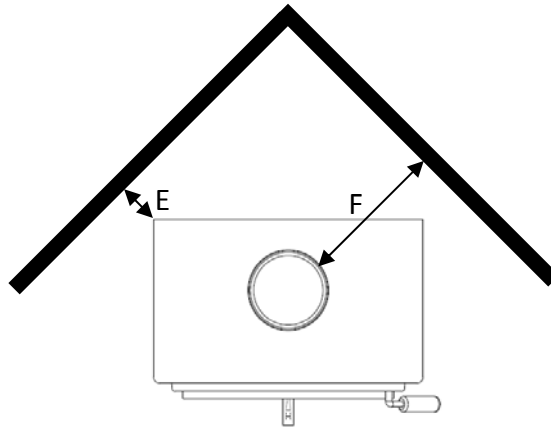
# INSTALLATION

## E spacements des matières combustibles

*Installation parallèle au mur*



*Installation en coin*



	Appareil au mur latéral	Raccord de cheminée sur le mur de côté	Raccord de cheminée sur le mur arrière	Appareil au mur arrière	Appareil au coin	Raccord de cheminée en coin
	A	B	C	D	E	F
	po (mm)	po (mm)	po (mm)	po (mm)	po (mm)	po (mm)
Raccord de cheminée à paroi simple sur une surface non protégée	12 (304,8)	19,5 (495,3)	12 (304,8)	10 (254)	7 (177,8)	15 (381)
Raccord de cheminée à paroi double sur une surface non protégée	11 (279,4)	17.5 (444,5)	10 (254)	8 (203,2)	6 (152,4)	14 (355,6)

# INSTALLATION

## Introduction à l'évacuation

Ce poêle à bois fonctionne avec un tirage naturel dans lequel la cheminée tire l'air par le poêle. Il faut installer cet appareil selon les descriptions détaillées suivantes des techniques d'évacuation; omettre de le faire peut entraîner un mauvais rendement du poêle, des dommages matériels, des blessures personnelles ou la mort. Éviter d'improviser lors de l'installation du système d'évacuation. England's Stove Works n'est pas responsable de dommages causés par une mauvaise ou dangereuse installation.

Veuillez vous assurer de respecter toutes les directives du fabricant concernant tous les aspects du système d'évacuation et surtout les espaces de dégagement requis pour les combustibles. Assurez-vous aussi d'utiliser un écran coupe-feu afin d'éviter que les matériaux isolants touchent à la cheminée si celle-ci passe à travers le grenier.

La cheminée est le moteur du poêle à bois, il est donc impératif que le système d'évacuation soit installé conformément aux directives de la section suivante afin d'assurer un fonctionnement adéquat du poêle.

En cas de questions concernant l'installation sécuritaire du poêle, appeler notre assistance technique au (800-245-6489). Communiquer avec le service local de codes pour être sûr que votre installation respecte les codes locaux et nationaux et si vous ne savez pas comment installer le poêle en toute sécurité, nous vous recommandons fortement de communiquer avec un installateur local certifié NFI pour effectuer l'installation.

## Directives relatives à l'évacuation de fumée

- **TOUJOURS** installer le tuyau d'évent en se conformant aux instructions et espacements joints au système d'évacuation.
- **NE PAS** raccorder ce poêle à bois à un conduit de cheminée qui sert à un autre appareil.
- **NE PAS** installer un registre de tuyau de fumée ou un autre dispositif de restriction dans le système d'évacuation de cet appareil.
- **UTILISER** un manchon d'emboîtement mural homologué pour traverser un mur et un coupe-feu/support de plafond pour traverser un plafond.
- **INSTALLER** trois vis à tôle par raccord de cheminée.
- **ÉVITER** de trop longues portées horizontales et de trop nombreux coudes, car les deux réduiront le tirage du système d'évacuation et le rendement du poêle.
- **INSPECTER** souvent votre système d'évacuation pour être sûr qu'il n'y a pas de créosote, de cendres volantes ou autres obstacles.
- **NETTOYER** le réseau d'évacuation selon la section d'entretien de ce manuel.
- **RESPECTER** la règle 10-3-2 concernant la terminaison de la cheminée.
- **INSTALLER** le raccord de cheminée à paroi simple avec l'extrémité mal vers le **bas** pour éviter les fuites de créosote. Suivre les instructions du fabricant de raccords de cheminée à paroi double pour une installation adéquate.

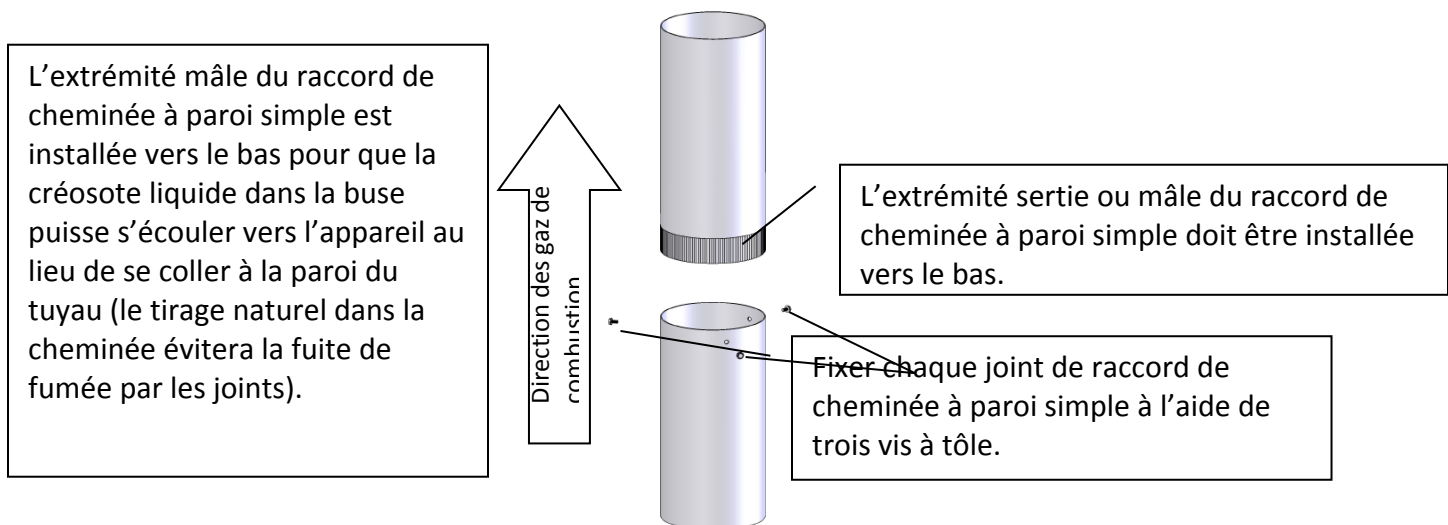
**AVERTISSEMENT** : Les surfaces du réseau d'évacuation deviennent **CHAUDES** et peuvent causer des brûlures. Il pourrait être nécessaire de placer des écrans ou des protecteurs non combustibles.

# INSTALLATION

## Autre information sur l'évacuation

- Ne pas mélanger et adapter des composants de différents fabricants de tuyaux lors du montage de votre système d'évacuation (c.-à-d. **NE PAS** utiliser le tuyau d'évacuation d'un fabricant et un manchon d'emboîtement d'un autre).
- Nous **exigeons** une hauteur minimale de cheminée de 4,57 m (15 pi). Une cheminée plus courte pourrait ne pas procurer le tirage nécessaire au bon fonctionnement de ce poêle à bois.
- Éviter d'improviser lors de l'installation du système d'évacuation; faire inspecter la cheminée existante avant de l'utiliser et s'assurer que toute nouvelle cheminée est installée selon les spécifications du fabricant et seulement avec les composantes homologuées UL (ou ULC si le Canada).
- Le système d'évacuation préfabriqué utilisé pour ce poêle à bois doit être homologué ULC S629 (Canada) et UL 103HT (États-Unis).
- Ne jamais installer un système de tirage induit ou tout autre système qui augmente le tirage naturel de la cheminée; de plus, ne pas installer de soupape barométrique ou de registre de tirage sur cet appareil.
- Ne jamais utiliser de raccord de cheminée à paroi simple ou double comme cheminée; ne jamais faire passer un raccord de cheminée dans un mur combustible sans respecter les directives du fabricant et celles énumérées aux pages suivantes concernant les passages dans les murs. **NE JAMAIS** faire passer un raccord de cheminée à travers un grenier, un plancher, un placard ou un comble.
- Utiliser seulement un raccord de cheminée noir de calibre 24 MSG à paroi simple ou un raccord à paroi double homologué UL (ou ULC si le Canada).

## Installation avec un raccord de cheminée à paroi simple



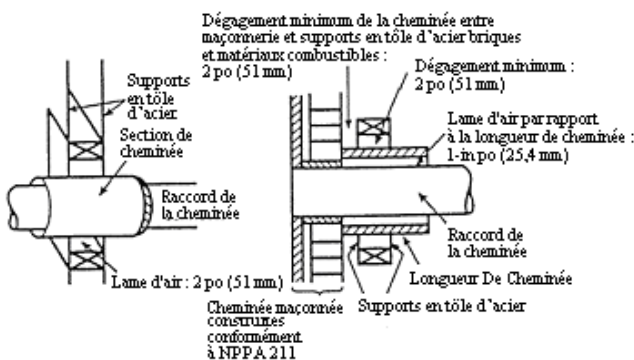
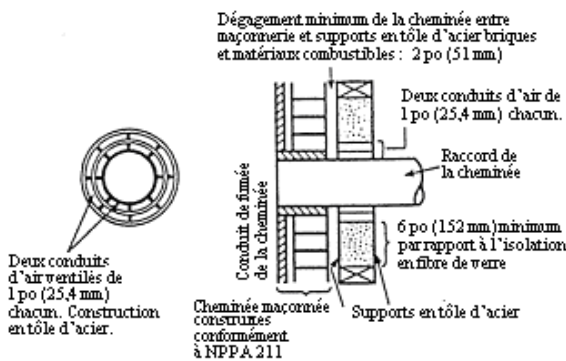
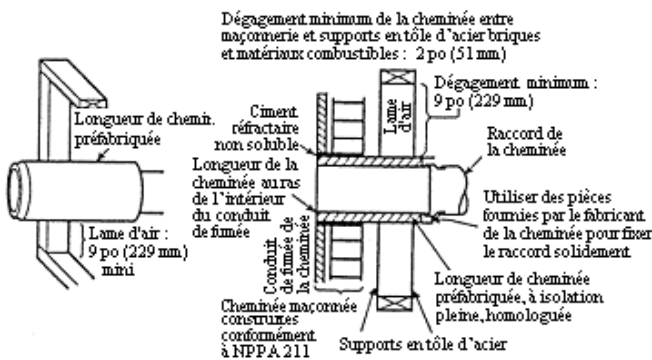
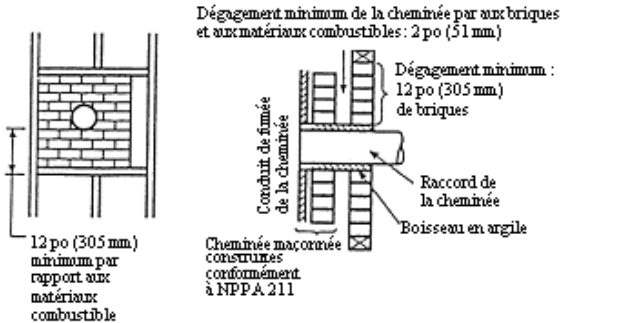
## AVERTISSEMENT

- INSTALLER LA VENTILATION AVEC LES ESPACEMENTS INDIQUÉS PAR LE FABRICANT.
- EXTRÊMEMENT CHAUD! Ne pas toucher! Il pourrait s'ensuivre de sévères brûlures ou l'inflammation de vêtements.
- Le verre et les autres surfaces sont chauds durant le fonctionnement.

Au Canada, l'installation doit respecter la norme CAN/CSA-B365 lorsqu'elle passe à travers des matériaux de construction combustibles.

## INSTALLATION

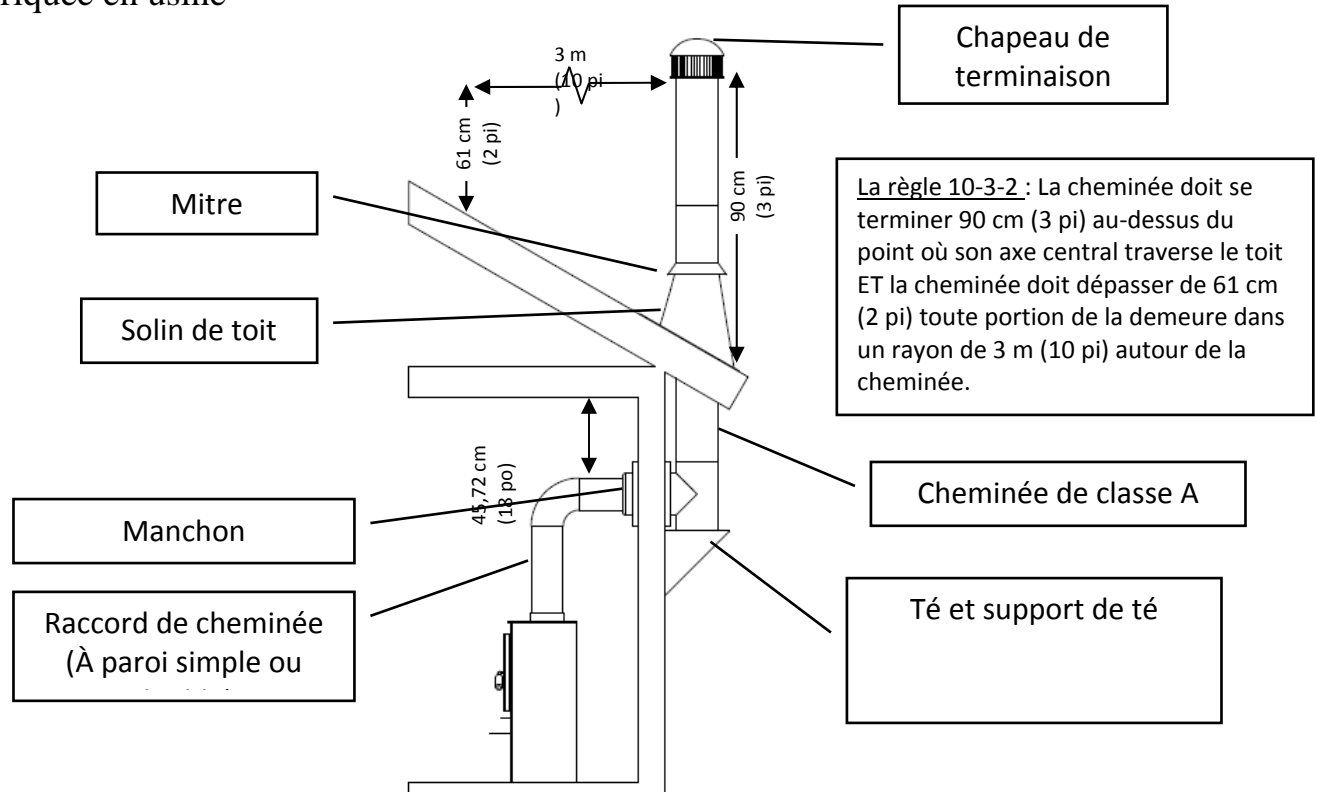
### Raccords de cheminée et dégagements par rapport aux murs combustibles pour les appareils de chauffage résidentiels



- En brique maçonnées ayant une épaisseur minimale de 3,5 po entièrement encastrée dans le mur avec un cadre et ayant une séparation minimale de 12 po par des briques entre le boisseau en argile et les matériaux combustibles. Le boisseau en argile doit aller de la surface extérieure du mur en briques jusqu'à la surface intérieure de la gaine de la cheminée; il doit être cimenté fermement en place.
- Longueur de cheminée préfabriquée, à isolation pleine, homologuée, ayant le même diamètre intérieur que le raccord et ayant au moins 1 po de revêtement isolant avec une lame d'air minimale de 9 po entre le mur extérieur de la longueur de cheminée et les matériaux combustibles.
- Raccord de cheminée en tôle d'acier, d'épaisseur n° 24 au minimum, avec un manchon d'emboîtement ventilé, d'épaisseur n° 24 au minimum, ayant deux conduits d'air de 1 po, séparé des matériaux combustibles par de l'isolant en fibre de verre d'une épaisseur minimale de 6 po. L'ouverture doit obligatoirement être couverte, et le manchon d'emboîtement soutenu par un support en tôle d'acier d'épaisseur n° 24 au minimum.
- Longueur de cheminée préfabriquée, à isolation pleine, homologuée, ayant un diamètre intérieur 2 po plus grand que le raccord et ayant au moins 1 po de revêtement isolant, pour servir de gaine à un raccord à paroi simple en tôle d'acier, d'épaisseur n° 24 au minimum, avec une lame d'air minimale de 2 po entre le mur extérieur de la section de cheminée et les matériaux combustibles. La longueur minimale de la section de cheminée doit obligatoirement être une section de cheminée de 12 po espacée de 1 po du raccord au moyen de plaques support en tôle d'acier aux deux extrémités de la section de cheminée. L'ouverture doit obligatoirement être couverte, et la section de cheminée soutenue des deux côtés avec des supports en tôle d'acier solidement fixés aux surfaces des murs, d'épaisseur n° 24 au minimum. Les éléments servant à la fixation de la section de cheminée ne devront pas pénétrer la chemise de la cheminée.

# INSTALLATION

## Méthode 1 approuvée pour l'évacuation : À travers le mur avec une cheminée fabriquée en usine



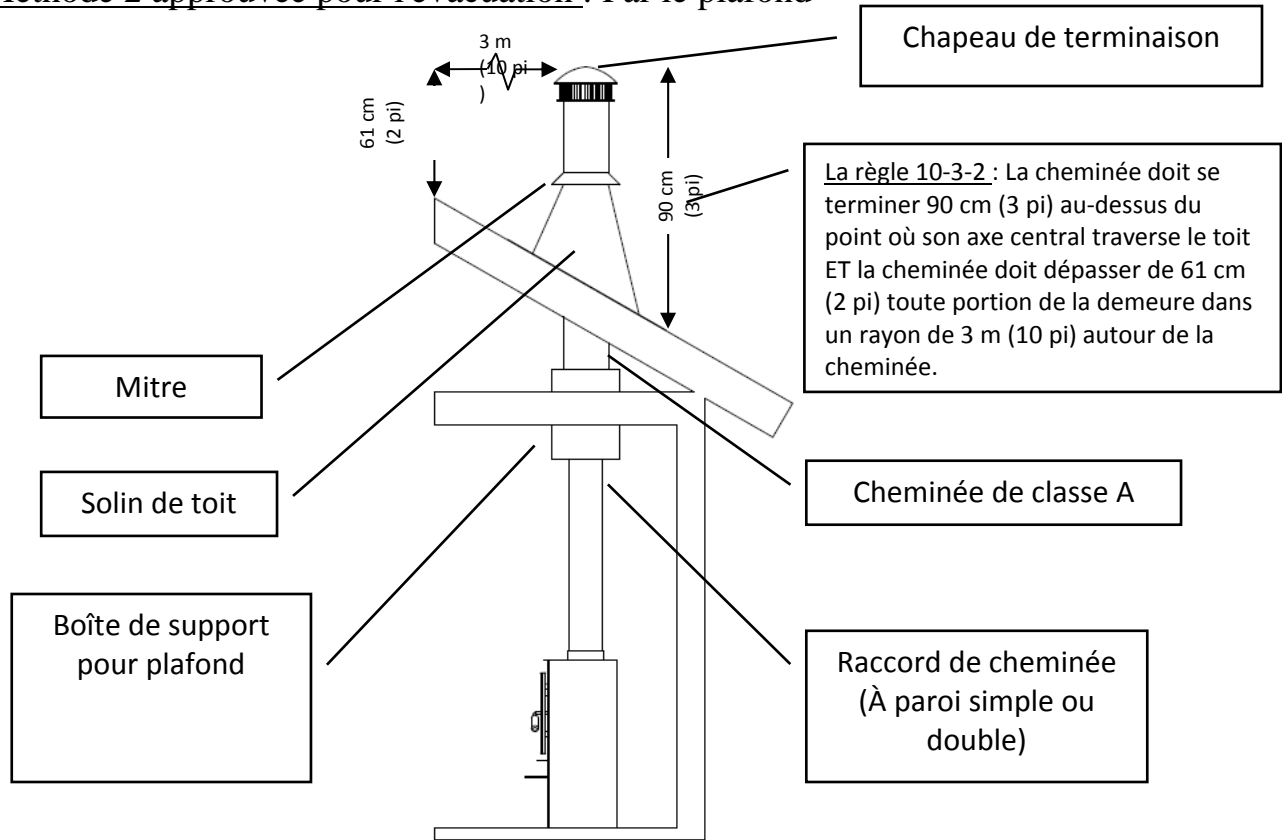
- Les cheminées préfabriquées doivent respecter les normes UL-103HT (1 150 °C ou 2 100 °F) pour les États-Unis et ULC-S629 (650 °C ou 1 200 °F) pour le Canada.
- Ce poêle à bois est homologué seulement s'il est installé avec un raccord de cheminée de 15,24 cm (6 po) de diamètre à une cheminée. L'installation de cet appareil sur une cheminée préfabriquée ayant un diamètre de plus de 15,24 cm (6 po) diminuera le tirage et pourrait entraîner un mauvais rendement de l'appareil.
- Respecter toutes les exigences du fabricant concernant l'installation du système d'évacuation et les espaces de dégagement requis.
- Utiliser trois vis à tôle pour chaque joint de raccord de cheminée à paroi simple (vérifier les recommandations du fabricant lors de l'utilisation de raccord de cheminée à paroi double).
- Percer trois trous dans la buse de l'appareil et fixer le raccord de cheminée à l'appareil avec des vis à tôle.
- Fixer correctement la cheminée préfabriquée à la demeure en respectant de façon stricte les directives du fabricant de la cheminée.
- Éviter de trop nombreux coudes et de trop longues portées horizontales, car les deux réduiront le tirage et favoriseront l'accumulation de crésote. La portée horizontale d'un raccord de cheminée ne doit jamais dépasser 1,22 m (4 pi) et la longueur totale du raccord de cheminée ne doit pas dépasser 2,45 m (8 pi).
- Il existe des adaptateurs spéciaux et des raccords à glissement pour éviter de couper les raccords de cheminée à simple paroi. Les raccords de cheminée à paroi double doivent être utilisés avec ces raccords à glissement parce qu'ils ne peuvent pas être coupés.

### **Veillez prendre note :**

Les schémas d'installation ne servent que comme référence et ne sont pas à l'échelle, ce ne sont pas des plans d'installations individuelles. Veuillez observer toutes les exigences relatives au système d'évacuation, respecter les espacements requis pour les combustibles et suivre tous les codes locaux.

# INSTALLATION

## Méthode 2 approuvée pour l'évacuation : Par le plafond



- Les cheminées préfabriquées doivent respecter les normes UL-103HT (1 150 °C ou 2 100 °F) pour les États-Unis et ULC-S629 (650 °C ou 1 200 °F) pour le Canada.
- Ce poêle à bois est homologué seulement s'il est installé avec un raccord de cheminée de 15,24 cm (6 po) de diamètre à une cheminée. L'installation de cet appareil sur une cheminée préfabriquée ayant un diamètre de plus de 15,24 cm (6 po) diminuera le tirage et pourrait entraîner un mauvais rendement de l'appareil.
- Respecter toutes les exigences du fabricant concernant l'installation du système d'évacuation et les espaces de dégagement requis.
- Utiliser trois vis à tôle pour chaque joint de raccord de cheminée à paroi simple (vérifier les recommandations du fabricant lors de l'utilisation de raccord de cheminée à paroi double).
- Percer trois trous dans la buse de l'appareil et fixer le raccord de cheminée à l'appareil avec des vis à tôle.
- Fixer correctement la cheminée préfabriquée à la demeure en respectant de façon stricte les directives du fabricant de la cheminée.
- La longueur totale du raccord de cheminée ne doit pas dépasser 2,45 m (8 pi). Pour un plafond cathédral, la cheminée préfabriquée peut dépasser de 2,45 m (8 pi) à partir du dessus de l'appareil.
- Il existe des adaptateurs spéciaux et des raccords à glissement pour éviter de couper les raccords de cheminée à simple paroi. Les raccords de cheminée à paroi double doivent être utilisés avec ces raccords à glissement parce qu'ils ne peuvent pas être coupés.

### **Veillez prendre note :**

Les schémas d'installation ne servent que comme référence et ne sont pas à l'échelle, ce ne sont pas des plans d'installations individuelles. Veuillez observer toutes les exigences relatives au système d'évacuation, respecter les espacements requis pour les combustibles et suivre tous les codes locaux.

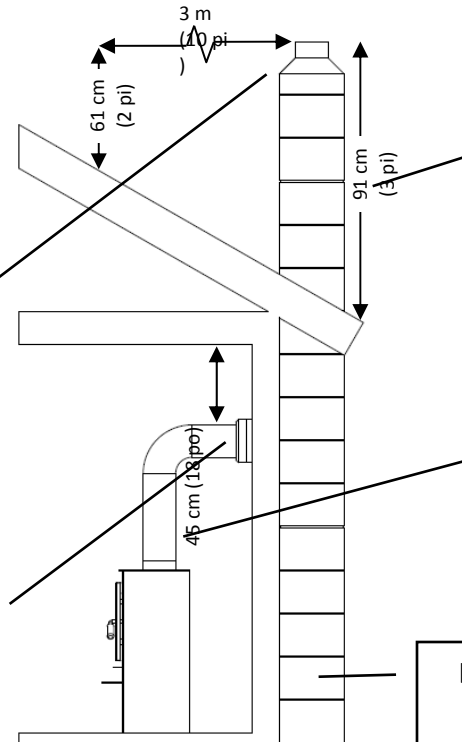


# INSTALLATION

## Méthode 3 approuvée pour l'évacuation : Cheminée de maçonnerie intérieure ou extérieure

La superficie de la section transversale de la chemise de cheminée (longueur x largeur) ne doit pas dépasser de plus de deux fois la superficie de la section transversale de la buse  $2 \times 71,5 \text{ cm}^2 = 143 \text{ cm}^2$  ( $2 \times 28,27 \text{ po}^2 = 56,55 \text{ po}^2$ ). Si la chemise de cheminée dépasse  $143 \text{ cm}^2$  ( $56,55 \text{ po}^2$ ) refaire le revêtement intérieur avec une chemise de 14 cm (5,5 po) ou de 15,25 cm (6 po)

Manchon d'emboîtement en maçonnerie avec le dégagement nécessaire aux matériaux combustibles



La règle 10-3-2 : La cheminée doit se terminer 90 cm (3 pi) au-dessus du point où son axe central traverse le toit ET la cheminée doit dépasser de 61 cm (2 pi) toute portion de la demeure dans un rayon de 3 m (10 pi) autour de la cheminée.

Raccord de cheminée  
(À paroi simple ou double)

Les portes de nettoyage des cendres doivent être hermétiques pour éviter un faible tirage.

- Suivre les règles énumérées ci-dessus concernant la dimension maximale de la chemise; l'installation de cet appareil sur une cheminée en maçonnerie dont la superficie de la section transversale dépasse  $143 \text{ cm}^2$  ( $56,55 \text{ po}^2$ ) diminuera le tirage et pourrait entraîner un mauvais rendement de l'appareil.
- Utiliser trois vis à tête pour chaque joint de raccord de cheminée à paroi simple (vérifier les recommandations du fabricant lors de l'utilisation de raccord de cheminée à paroi double).
- Percer trois trous dans la buse de l'appareil et fixer le raccord de cheminée à l'appareil avec des vis à tête.
- Éviter de trop nombreux coudes et de trop longues portées horizontales, car les deux réduiront le tirage et favoriseront l'accumulation de crésote. La portée horizontale d'un raccord de cheminée ne doit jamais dépasser 1,22 m (4 pi) et la longueur totale du raccord de cheminée ne doit pas dépasser 2,45 m (8 pi).
- Un manchon d'emboîtement hermétique est nécessaire pour obtenir un rendement adéquat de l'appareil et rendre l'installation sécuritaire. Utiliser un adaptateur de conception adéquate pour raccorder le raccord de cheminée à paroi simple ou double au manchon d'emboîtement en maçonnerie.
- Faire inspecter la cheminée en maçonnerie afin de savoir si les dégagements aux matériaux combustibles sont respectés et sécuritaires avant de faire fonctionner l'appareil; un ramoneur professionnel peut effectuer cette inspection.
- Les cheminées en maçonnerie extérieures sont sujettes aux refoulements d'air froid et au faible tirage même si elles respectent les règles de superficie de la section transversale. Il peut être alors nécessaire d'installer une chemise isolée de 15,25 cm (6 po).

### Veillez prendre note :

Les schémas d'installation ne servent que comme référence et ne sont pas à l'échelle, ce ne sont pas des plans d'installations individuelles. Veuillez observer toutes les exigences relatives au système d'évacuation, respecter les espacements requis pour les combustibles et suivre tous les codes locaux.

## AVERTISSEMENT

NE PAS INSTALLER DANS UNE CHAMBRE À COUCHER.

### MISE EN GARDE

IL FAUT RESPECTER L'INTÉGRITÉ DE LA STRUCTURE DES PLANCHERS, MURS ET PLAFONDS/TOIT DE LA MAISON

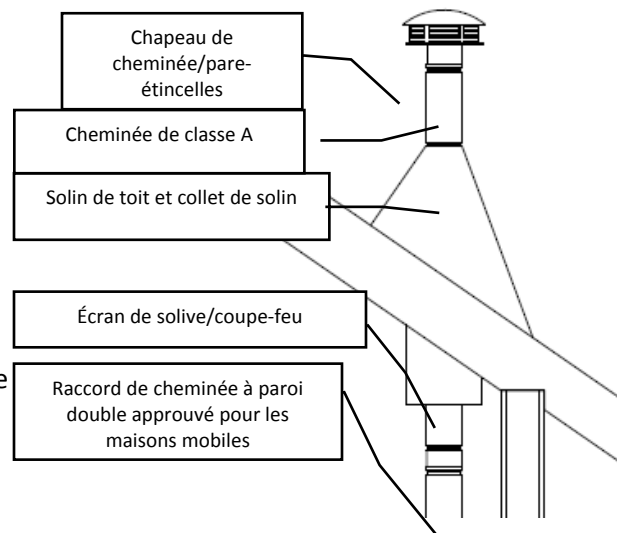
### Mise en garde

**NE JAMAIS** tirer l'air extérieur de combustion : d'une cavité d'un mur, d'un plancher ou d'un plafond ou d'un espace clos comme un grenier, un garage ou un vide sanitaire.

## INSTALLATION

### Installation dans une maison mobile

- Le poêle à bois **DOIT** être fixé au plancher de la maison mobile à l'aide de tire-fonds par les trous prévus à cette fin dans la base de l'appareil.
- Le poêle à bois doit être raccordé à la cheminée à l'aide d'un raccord de cheminée à paroi double homologué UL (ou ULC si le Canada) pour l'utilisation dans une maison mobile ou préfabriquée.
- Observer soigneusement tous les espacements indiqués dans la section appropriée de ce manuel ET respecter les exigences minimales d'espacement du fabricant d'événements. En outre, veiller à ce que le système d'évacuation soit approuvé pour une utilisation dans une maison mobile.
- Il faut faire l'installation dans une maison mobile en conformité avec la norme « Manufacturer's Home and Safety Standard (HUD), CFR 3280, partie 24 » ainsi qu'avec tous les codes locaux en vigueur.



Utiliser de la silicone pour créer un coupe-vapeur là où la cheminée passe à l'extérieur.

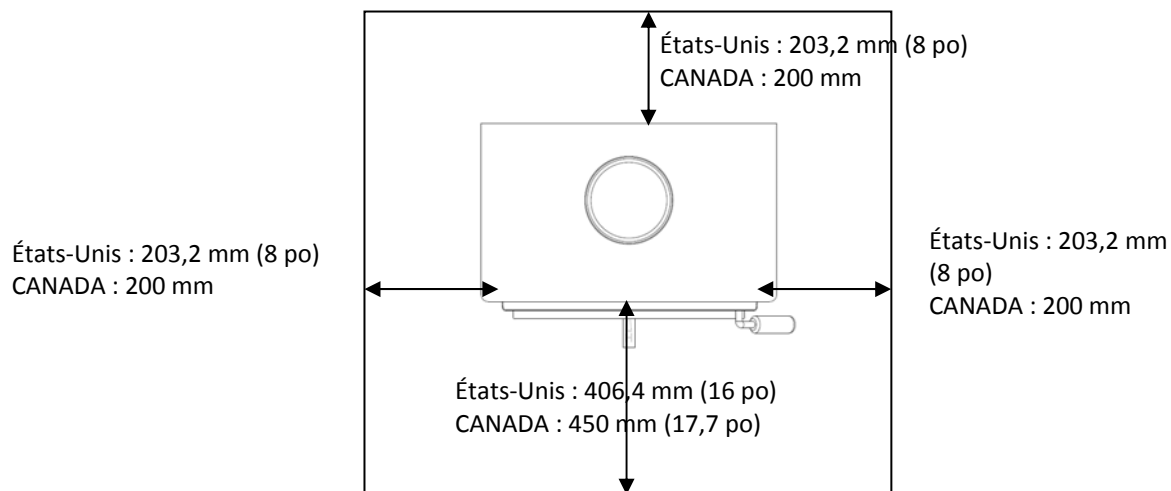
### Air comburant extérieur

- L'utilisation de l'air comburant extérieur est obligatoire pour l'installation de ce poêle à bois dans une maison mobile ou préfabriquée.
- Le tuyau de raccordement à l'air extérieur dépasse au centre, en bas du poêle; une trousse est offerte par England's Stove Works, Inc. elle est conçue pour raccorder cet appareil à l'air comburant extérieur. [Pièce n° AC-OAK5]
- S'il n'est pas possible d'utiliser la trousse AC-OAK5 pour faire le raccordement, d'autres matériaux peuvent être utilisés à condition d'observer les règles suivantes :
  - Le tuyau utilisé pour le raccordement à l'air extérieur doit être en métal et avoir une épaisseur minimale de 0,74 mm (0,209 po) (acier doux d'épaisseur 25), ou plus, et d'un diamètre intérieur d'environ 5 cm (2 po).
  - Conserver la longueur de tuyau courte et utiliser une attache mécanique pour chaque joint de tuyau.
  - Il faut poser un écran ou autre dispositif de protection à la terminaison d'air extérieur pour empêcher la pluie, les débris et les animaux nuisibles d'entrer dans les tuyaux. Inspecter l'admission d'air comburant extérieur tous les mois pour éviter les blocages et l'accumulation de débris.

Le poêle à bois **DOIT** être fixé au plancher de la maison mobile à l'aide de tire-fonds disposés dans les trous prévus à cet effet dans la partie inférieure de l'appareil. Utilisez un fil de cuivre n° 8 pour fixer le poêle au châssis de la maison mobile.

## PROTECTION DU PLANCHER

- En cas d'installation sur un plancher combustible, ce poêle à bois doit être posé sur un protecteur de plancher non combustible. Si le plancher est déjà non combustible (c.-à-d. un plancher de béton dans un sous-sol), il n'y a pas besoin de protection de plancher (un protecteur décoratif peut être utilisé pour des raisons esthétiques).
- En cas d'utilisation d'un protecteur de plancher, tenir compte du fait que le poêle n'est pas seulement lourd, mais qu'il occasionnera des cycles de chaleur et de refroidissement sur le protecteur qui pourraient endommager les tuiles et défaire les joints de mortier ou de coulis près du poêle.
- Le protecteur de plancher doit être homologué UL ou l'équivalent (ou ULC si le Canada) et doit être non combustible avec une valeur R de 0,5. Puisque la plus grande partie de la chaleur provenant de cet appareil est radiante, le protecteur de plancher sert uniquement à empêcher les cendres et les étincelles de tomber sur le sol combustible tout près du poêle. Une carpepe N'EST PAS un substitut approuvé pour un panneau de foyer.
- Aux États-Unis : Le protecteur de plancher doit dépasser d'au moins 40 cm (16 po) à l'avant de l'ouverture pour le combustible, de 20,3 cm (8 po) sur les côtés de l'ouverture de la porte et de 20,3 cm (8 po) à l'arrière de l'appareil.
- Au Canada : Le protecteur de plancher doit dépasser d'au moins 45 cm (17,7 po) à l'avant de l'ouverture pour le combustible, de 20 cm (7,9 po) sur les côtés de l'ouverture de la porte et de 20 cm (7,9 po) à l'arrière de l'appareil.



- Le protecteur de plancher non combustible doit dépasser de 5 cm (2 po) de chaque côté des portées de tuyaux horizontaux et directement sous un tuyau vertical.

- Veuillez consulter les pages suivantes pour obtenir plus de renseignements sur le calcul des valeurs R afin d'être certain que le protecteur de plancher prévu est adéquat pour ce poêle à bois.

### **MISE EN GARDE**

NE JAMAIS UTILISER D'ESSENCE, D'HUILE À LAMPE, DE KÉROSÈNE, D'ALLUME-BARBECUE, OU D'AUTRES LIQUIDES INFLAMMABLES POUR ALLUMER OU RAVIVER UN FEU DANS CE POÊLE. TENIR TOUS CES TYPES DE LIQUIDES LOIN DU POÊLE LORSQU'IL FONCTIONNE. EN OUTRE, NE JAMAIS APPLIQUER D'ALLUME-FEU SUR UNE SURFACE CHAUDE OU DES TISONS DANS CE POÊLE.

# PROTECTION DU PLANCHER

## Calculs de la valeur R

Un moyen facile de déterminer si le protecteur de plancher respecte les normes est de suivre la procédure suivante :

- 1) Convertir les spécifications en valeur R :
  - i La valeur R est connue – aucune conversion nécessaire
  - ii Le facteur K est connu avec une épaisseur requise en pouces :  $R = 1/k \times T$
  - iii Le facteur C est connu :  $R = 1/C$
- 2) Déterminer la valeur R pour un protecteur de plancher proposé :
  - i Utiliser la bonne formule donnée à l'étape 1 (ci-dessus) pour convertir les valeurs exprimées autrement qu'en valeur R.
  - ii Pour des couches multiples, ajouter les valeurs R pour chaque couche pour déterminer la valeur R totale.
- 3) Si la valeur R totale est supérieure à la valeur R du protecteur spécifié, l'autre protecteur de plancher sera acceptable.

### EXEMPLE :

Le protecteur de plancher spécifié doit avoir une épaisseur de 20 mm (¾ po) et avoir un coefficient K de 0,84. L'autre alternative proposée est de la brique de 10 cm (4 po) avec un facteur C de 1,25 posée sur un panneau de type minéral de 3 mm (1/8 po) ayant un coefficient K de 0,29.

Étape (a) : Utiliser la formule ci-dessus pour convertir les spécifications en valeur R.

$$R = 1/k \times T = 1/0,84 \times 0,75 = 0,893$$

Étape (b) : Calcul de la valeur R du système proposé.

$$\text{Brique de 10 cm (4 po) d'une valeur C} = 1,25, \text{ donc la valeur R de la brique} = 1/C = 1/1,25 = 0,80$$

$$\text{Panneau de type minéral de 3 mm (1/8 po) de k} = 0,29, \text{ donc la valeur R du panneau est} = 1/0,29 \times 0,125 = 0,431$$

$$\text{Valeur R totale} = R_{\text{brique}} + R_{\text{panneau}} = 0,8 + 0,431 = 1,231$$

Étape (c) : Comparer la valeur R du système proposé de 1,231 à celle du système spécifié de 0,893. La valeur R du système proposé est supérieure à celle requise donc le système est acceptable.

### Définitions :

$$\text{Conductance thermique} = C = \frac{\text{Btu}}{(\text{h})(\text{pi}^2)(\text{°F})} = \frac{\text{W}}{(\text{m}^2)(\text{°K})}$$

$$\text{Conductivité thermique} = K = \frac{(\text{Btu})(\text{pouce})}{(\text{h})(\text{pi}^2)(\text{°F})} = \frac{\text{W}}{(\text{m})(\text{°K})} = \frac{\text{Btu}}{(\text{h})(\text{pi})(\text{°F})}$$

$$\text{Résistance thermique} = R = \frac{(\text{pi}^2)(\text{h})(\text{°F})}{\text{Btu}} \quad (\text{m}^2)(\text{°K}) \quad \text{W}$$

# UTILISATION

## Premiers feux d'acclimatation

- Ce poêle à bois est construit d'acier épais et de fonte, il est conçu pour durer longtemps. Cependant, pour éviter qu'une tension thermique excessive soit induite au métal pendant le premier feu, il faut trois petits feux d'acclimatation, chaque feu sera un peu plus chaud que le précédent. Ces feux d'acclimatation ne serviront pas seulement à acclimater le poêle aux températures élevées, mais ils aideront aussi à faire durcir lentement la peinture réfractaire ce qui permettra au fini de qualité supérieure de durer plusieurs années.
- Ce poêle est muni d'un seul contrôle d'admission d'air qui régularise le taux de combustion du bois; lorsque le contrôle coulissant d'air primaire est tiré complètement vers l'extérieur de l'appareil, le poêle chauffera plus lentement et fournira de la chaleur plus longtemps. D'autre part, lorsque le contrôle est poussé complètement vers le centre de l'appareil, le poêle chauffera plus vite et fournira une chaleur plus intense sur une période plus courte. Ne jamais essayer de modifier le contrôle d'admission d'air peu importe la raison.
- Le premier feu d'acclimatation devrait être un grand feu de bois d'allumage permettant au poêle d'atteindre une température de 150 °C (300 °F) mesurée par un thermomètre aimanté appliqué sur le côté gauche ou droit du poêle au-dessus de la porte. Une fois cette température atteinte, laisser le feu s'éteindre en gardant le contrôle d'admission d'air ouvert. Les deuxième et troisième feux d'acclimatation devraient être un peu plus importants en ajoutant quelques morceaux plus gros au bois d'allumage. La température à atteindre pendant ces feux se situe entre 175 °C et 230 °C (350 °F – 450 °F); ne pas laisser le feu dépasser cette température.

## Utilisation continue

- Une fois les feux d'acclimatation terminés, cet appareil est prêt pour une utilisation continue. Lorsque le poêle fonctionne continuellement, ne pas laisser la cendre et la braise s'accumuler à plus de 2,5 cm (1 po) en bas de la porte. Une quantité excessive de braise signifie souvent qu'une trop grande quantité de bois brûle à un taux de combustion trop élevé et le lit de braises devrait brûler avant de rajouter d'autre bois au poêle.
- L'air comburant entre dans le poêle par deux endroits : La majorité de l'air comburant primaire entre dans la chambre de combustion par le système autonettoyant qui garde la vitre propre et alimente les flammes de combustion primaires sur la surface du bois; une portion de l'air comburant primaire est acheminé sur le lit de braises par les trous d'évacuation situés sous le rail inférieur du système autonettoyant. Tous les efforts possibles doivent être déployés pour conserver la zone en avant des trous libres de cendre.
- Lors du remplissage du poêle pour une flambée de longue durée, il est très utile de faire un « V » au centre du lit de braises, pour permettre aux trous d'évacuation de pousser de l'air tout au fond de l'appareil.
- Après avoir rempli au complet la chambre de combustion du poêle avec du bois humide, il est important de faire fonctionner l'appareil avec le contrôle d'air ouvert au maximum afin de carboniser adéquatement toute la charge de bois et évacuer toute l'humidité contenue dans le bois. Une fois le bois bien carbonisé et allumé complètement, le contrôle d'admission d'air peut être positionné pour obtenir la quantité de chaleur désirée.

Dans le cas d'un feu causé par la suie ou la créosote (feu de cheminée), il faut fermer l'admission d'air, contacter le service d'incendie local et sortir de la maison! Ne jamais lancer d'eau sur le feu! Contactez votre service d'incendie local pour obtenir plus de renseignements sur la gestion d'un feu de cheminée et pour élaborer un plan d'évacuation sécuritaire pour vous et votre famille en cas de feu de cheminée.

## UTILISATION

- England's Stove Works, Inc. recommande toujours l'utilisation d'un thermomètre de cheminée aimanté afin de surveiller la température de l'appareil. Lors de l'utilisation d'un thermomètre de poêle aimanté, il faut l'installer au-dessus de la porte du côté gauche ou droit du poêle et utiliser les températures suivantes comme guide pour déterminer le taux de combustion et le degré de chaleur émise par le poêle :
  - Le fonctionnement normal du poêle à bois se produit entre 177 °C (350 °F) et 288 °C (550 °F). De 177 °C (350 °F) à 232 °C (450 °F) le degré de chaleur sera de bas à moyen et de 232 °C (450 °F) à 288 °C (550 °F) le degré de chaleur sera de moyen à élevé. L'utilisation du poêle à 316 °C (600 °F) serait la température maximale admissible pour une utilisation continue, l'utilisation du poêle au-delà de cette température avec un taux de combustion élevé pour de longues périodes pourrait l'endommager. Permettre à l'appareil d'atteindre 343 °C (650 °F) est considéré comme de la surchauffe et endommagera le poêle à bois.
- Le ventilateur de convection optionnel a été conçu pour extraire un maximum de chaleur du poêle pour obtenir le meilleur transfert de chaleur possible dans la pièce. Puisque le ventilateur est si efficace à retirer de la chaleur du poêle, il est très important de faire fonctionner le ventilateur seulement après qu'un nouveau feu ait eu le temps de brûler au moins trente (30) minutes. Permettre à la nouvelle brassée de bois de brûler sans utiliser le ventilateur assure que l'appareil atteindra une température de fonctionnement adéquate et que le système de combustion secondaire fonctionne correctement. Il faut aussi suivre les directives ci-dessous pour obtenir la vitesse appropriée pour le ventilateur.
- Le ventilateur de convection optionnel (Pièce n° AC-16) devrait fonctionner selon le degré de chaleur comme suit :

Taux de combustion	Haut	Moyen fort	Moyen	Moyen bas	Bas
Vitesse du ventilateur	Haute	Basse	Basse	Basse	Fermé

### **Créosote - Formation et importance du nettoyage**

Lorsque le bois brûle lentement, il produit du goudron et d'autres vapeurs organiques qui se combinent avec l'humidité émise par le bois pour former la créosote. Les vapeurs de créosote se condensent dans la buse relativement froide lorsque le feu se consume lentement. Ceci produit une accumulation de créosote sur les parois de la chemise de cheminée. Une fois allumée, la créosote produit un feu extrêmement chaud. La cheminée et les raccords de cheminée doivent être inspectés au moins tous les deux mois pendant la saison de chauffage afin de vérifier la présence d'accumulation de créosote. S'il y a des accumulations de créosote, il faut les enlever afin de réduire les risques de feu de cheminée

**NE PAS UTILISER DE GRILLE OU SURÉLEVER LE FEU – INSTALLER LE BOIS DIRECTEMENT SUR L'ÂTRE.**

**NE PAS UTILISER AVEC LA PORTE PRINCIPALE OUVERTE – FAIRE FONCTIONNER LE POÊLE AVEC LA PORTE PRINCIPALE OUVERTE PRODUIRA UNE SURCHAUFFE.**

# UTILISATION

## Conseils de sécurité additionnels

- L'installation de détecteurs de fumée est fortement recommandée lorsque vous installez cet appareil ou tout autre type d'appareil à combustible solide. Les détecteurs de fumée doivent être installés près ou dans chaque pièce de la maison, plus particulièrement dans les chambres à coucher.
- Un détecteur de fumée peut être installé dans la même pièce que le poêle à bois, mais s'il est trop près de l'appareil il pourrait émettre de fausses alarmes à cause des filets de fumée qui peuvent s'échapper à l'allumage du feu ou pendant le rechargement. À cause de ce fait, le détecteur de fumée installé dans la même pièce que le poêle à bois devrait être placé aussi loin que la pièce le permet.
- Ce poêle est conçu pour brûler seulement du bois de chauffage; ne jamais faire brûler : bois traité sous pression, bois séché au séchoir, bois traité à la créosote (traverses de chemin de fer), bois humide ou couvert de glace, bois vert, bois de grève, charbon de bois, charbon, coke ou tout autre combustible.
- Le fait de brûler d'autres combustibles que le bois de chauffage et plus particulièrement le charbon et le charbon de bois peut entraîner des émanations de monoxyde de carbone à fortes concentrations dans la résidence. L'installation d'un détecteur de monoxyde de carbone et la connaissance des symptômes d'un empoisonnement au monoxyde de carbone peuvent réduire les risques de problèmes reliés au monoxyde de carbone. Pour ces raisons, NE JAMAIS faire brûler de charbon ou de charbon de bois dans ce poêle à bois de chauffage.
- Cet appareil a été conçu pour fonctionner la porte fermée et verrouillée hermétiquement. Faire fonctionner cet appareil pendant que la porte est ouverte ou mal verrouillée fera entrer trop d'air comburant et fera augmenter dangereusement la température de l'appareil. La surchauffe de l'appareil peut l'endommager, annuler la garantie ou enflammer la créosote accumulée dans la cheminée par les feux à combustion lente précédents.
- Le tirage naturel qui amène l'air à l'appareil et permet au feu de brûler utilise l'air ambiant de la résidence pour assurer la combustion, à moins que cet appareil soit relié à une source d'air comburant extérieur. Les hottes d'évacuation de cuisinière, les fournaies et les autres appareils de circulation d'air retirent aussi de l'air ambiant de la résidence. Si la quantité d'air entrant dans la maison est inférieure à celle retirée de la maison, une pression négative peut se produire dans la résidence.
- Puisque cet appareil fonctionne avec un tirage naturel, ce sera le premier appareil affecté par une pression négative. Si de la fumée est expulsée par les joints de raccord de cheminée ou par le système d'induction d'air de l'appareil c'est que le poêle combat la pression négative établie dans la résidence. Entrebâiller une fenêtre ou une porte près de l'appareil peut aider à égaliser la pression; finalement, il pourrait s'avérer nécessaire d'ajouter une source d'air comburant extérieur pour assurer le fonctionnement adéquat de l'appareil.
- Si l'appareil est raccordé à l'air extérieur, s'assurer de surveiller les accumulations de glace ou de neige pouvant bloquer l'entrée d'air du système. Il est essentiel de garder cette entrée d'air libre pour éviter un manque d'air pour l'appareil.

**NE PAS ENTREPOSER DE COMBUSTIBLE PLUS PRÈS QUE LES DÉGAGEMENTS SPÉCIFIÉS OU DANS L'ESPACE NÉCESSAIRE AU CHARGEMENT DU POÊLE OU À L'ÉVACUATION DES CENDRES**



**UN MAUVAIS ENTRETIEN DES JOINTS D'ÉTANCHÉITÉ, Y COMPRIS LE DÉFAUT DE LES REMPLACER, PEUT CAUSER DES FUITES D'AIR ENTRAÎNANT UN MAUVAIS CONTRÔLE DE L'APPAREIL.**

## **ENTRETIEN**

### Entretien quotidien

- Vérifier l'accumulation de cendre dans la chambre de combustion; retirer l'excès de cendre et suivre les directives ci-dessous pour l'élimination des cendres. Les cendres ne devraient pas s'accumuler au point de couvrir les entrées d'air du lit de braises.

### Entretien mensuel

- Vérifier l'accumulation de poussière dans le ventilateur (si installé); vérifier que la poignée de la porte fonctionne bien et que la porte permet toujours une fermeture hermétique.
- Inspecter la cheminée et les raccords de cheminée et effectuer le ramonage au besoin. Même si le nettoyage n'est pas nécessaire tous les mois, il faut TOUJOURS inspecter le système d'évacuation pour réduire les chances de feu de cheminée.
- Faire une inspection visuelle des panneaux d'isolation de vermiculite de la chambre de combustion pour vérifier s'il n'y a pas de fissures ou de bris. Des fissures superficielles n'affecteront pas le rendement des panneaux, mais des panneaux fissurés ou effrités doivent être remplacés immédiatement.
- Faire une inspection visuelle des tubes de combustion secondaires pour vérifier qu'ils ne sont pas fissurés, déformés ou corrodés. Même si les tubes sont construits en acier inoxydable, ils fonctionnent sous des températures élevées et peuvent éventuellement s'user malgré une utilisation normale.

### Entretien annuel

- Vérifier l'usure de tous les joints d'étanchéité (fenêtre et porte) et s'assurer qu'ils continuent de fournir une fermeture hermétique. Consulter les pages suivantes pour les directives.
- Nettoyer soigneusement la cheminée et les raccords de cheminée. Puisque les raccords de cheminée sont soumis à de fortes températures, vérifier la présence de fuites et de points faibles et remplacer toute pièce dont l'état est douteux. [Dans le cas d'une cheminée complètement droite jusqu'au toit, s'assurer de retirer le déflecteur en vermiculite **avant** de pousser la brosse de ramonage dans la chambre de combustion. Le fait de frapper durement le dessus du déflecteur avec une tige ou une brosse de ramonage peut endommager le déflecteur ou le détruire.]
- Retirer toute la cendre accumulée dans le poêle à bois incluant celle sur le dessus des déflecteurs de la chambre de combustion. Laisser le contrôle d'admission d'air ouvert pendant les mois sans chauffage pour permettre une circulation d'air dans le poêle à bois et ainsi aider à prévenir la corrosion. Un petit contenant rempli de litière pour chat placé dans le poêle à bois peut aider à prévenir la corrosion pendant les mois humides de l'été; s'assurer de retirer le contenant avant de faire un feu à l'automne.

**Élimination des cendres** – Il faut placer les cendres dans un contenant de métal avec un couvercle bien fermé. Il faut poser le contenant fermé sur un plancher incombustible ou sur le sol loin des matières combustibles en attendant l'élimination finale. Si on dispose des cendres en les enterrant ou en les dispersant, il faut les conserver dans un contenant fermé jusqu'à ce que toutes les scories soient refroidies.

## **ENTRETIEN**

### Inspection des joints d'étanchéité

Il est essentiel que le joint de la porte soit étanche à l'air pour un bon rendement du poêle. Toute fuite d'air dans cette zone peut entraîner une surchauffe et un risque sérieux à la sécurité. Il est donc nécessaire de maintenir ces joints d'étanchéité en bon état. Pour vérifier que les joints sont hermétiques, utiliser la méthode du billet de banque :

- Placer un billet entre le joint et le corps du poêle (à l'endroit où le joint colle contre le poêle).
- Verrouiller le mécanisme et essayer de tirer le billet. S'il glisse facilement, il faut changer le joint. Il faut répéter ce test sur tout le périmètre des joints, car il peut être hermétique à un endroit, et usé et peu hermétique à un autre.
- Effectuer ce test tout autour du périmètre de la porte et faire une inspection visuelle du joint d'étanchéité de la vitre pour vérifier la présence de fuites. Les fuites du joint d'étanchéité de la vitre peuvent être détectées en suivant les traces de suie qui se déposent sur la vitre après un feu.
- Si le test est un échec pour l'une des zones, le joint en entier doit être remplacé. Le numéro de pièce du joint à remplacer se trouve à la section « Pièces illustrées » de ce manuel.
- Les joints doivent être remplacés uniquement par des joints équivalents en fibre de verre spécialement conçus pour cet appareil par England Stove WorksMD.

### Joints d'étanchéité

1. Porte - Cet appareil est livré avec un joint d'étanchéité cordé de 12,7 mm (5/8 po) autour de la porte, qu'il faut remplacer au moins tous les deux ans. Pour remplacer le joint de la porte (Pièce n° AC-DGKNC), il faut retirer complètement le vieux joint — avant de mettre la nouvelle colle, vous pourriez devoir gratter le vieux ciment de la gorge de la porte. Une fois le ciment et le joint posés, il faut fermer la porte et la garder verrouillée pendant vingt-quatre heures pour laisser le ciment durcir.
2. Fenêtre - Si vous remplacez le joint de fenêtre (Pièce n° AC-GGK), le nouveau joint aura déjà de la colle sur une face. Premièrement, enlever le vieux joint. Ensuite, retirer le papier du côté adhésif et poser le joint autour du bord extérieur du verre centré sur le bord. Replier les bords du joint contre le verre en formant un « U ».

### Fini

Cet appareil neuf a été peint avec une peinture haute température qui conservera son aspect original pendant des années. Si des taches de rouille apparaissent à cause de l'humidité, elles peuvent être poncées avec de la laine d'acier et repeintes. Seule une peinture haute température (Pièce n° AC-MBSP) doit être utilisée, car d'autres pourraient ne pas adhérer à la surface ou supporter les températures élevées. De plus, certaines marques de peinture pourraient ne pas adhérer sur d'autres marques, c'est pourquoi nous recommandons notre peinture haute température en aérosol exclusive.

## REEMPLACER DES COMPOSANTS

### Verre

La fenêtre de la porte de l'appareil est un panneau de vitre céramique (Pièce n° AC-G40); le joint d'étanchéité autoadhésif de la fenêtre est fourni avec les fenêtres de rechange achetées chez England's Stove Works. Ne jamais remplacer la vitre céramique par du verre trempé ou d'un autre type et ne jamais faire fonctionner l'appareil avec une vitre fissurée ou brisée.

- Dimensions de la vitre : 368,3 mm (14,5 po) x 273,05 mm (10,75 po)
- Type de verre : 5 mm de vitre céramique (Keralite Pyroceram)
- Fabricant du verre : Eurokera

### Précautions concernant la vitre

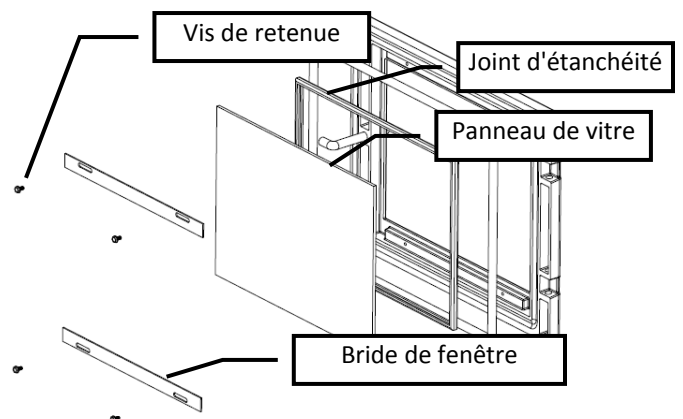
1. Ne jamais remplacer la vitre céramique par du verre trempé ou d'un autre type.
2. Ne jamais faire fonctionner l'appareil avec une vitre fissurée ou brisée.
3. Ne pas claquer la porte ou frapper la vitre avec un objet.
4. Ne pas construire le feu directement contre la vitre.

### Nettoyage de la vitre

1. Être certain que le poêle et la vitre sont bien froids
2. Les dépôts sur le verre sont généralement légers et de l'eau est suffisante pour les nettoyer. Si de la suie tenace persiste, utiliser un nettoyant à cet effet. Ne pas gratter la vitre ni se servir de nettoyeurs abrasifs.
3. Rincer la vitre avec de l'eau propre et la sécher avant de reprendre un fonctionnement normal.

### Remplacement de la vitre

1. Retirer la porte et la poser face vers le bas sur une surface solide
2. À l'aide d'une douille de 5/16 po, retirez les quatre vis retenant les brides de la fenêtre.
3. Retirer les deux brides de la fenêtre de la porte. Faire très attention pour éviter les éclats de verre si la vitre est brisée.
4. Retirer et jeter le vieux panneau de vitre.
5. Le nouveau panneau doit être entouré d'un joint en ruban de fibre de verre autoadhésif (AC-GGK). Ce joint sert de coussin entre la vitre et la porte en fonte.
6. Reposer les brides de fenêtre à l'aide des quatre vis précédemment enlevées. Ne pas trop les serrer.



# DÉPANNAGE

Problème	Cause	Solutions	
Le poêle émet de la fumée dans la pièce	1. Tirage faible	1.1 S'assurer que la longueur de la cheminée est suffisante pour respecter la règle 10-3-2. 1.2 Ajouter de la hauteur supplémentaire à la cheminée.	
	2. Pression négative dans la résidence	2.1 Ajouter un raccordement à l'air extérieur à l'appareil.	
Le feu est difficile à démarrer	3. Tirage faible	3.1 S'assurer que la longueur de la cheminée est suffisante pour respecter la règle 10-3-2. 3.2 Ajouter de la hauteur supplémentaire à la cheminée.	
	4. Cheminée froide	4.1 Chauffer la buse en premier en brûlant du papier journal chiffonné dans le poêle. 4.2 Installer une chasse isolée autour des cheminées extérieures.	
	5. Refoulement d'air dans la cheminée	5.1 S'assurer que la longueur de la cheminée est suffisante pour respecter la règle 10-3-2. 5.2 Essayer de chauffer la buse avec un séchoir à cheveux pour corriger le tirage.	
	La vitre est sale	6. Bois humide ou vert	6.1 Brûler seulement du bois qui a séché au moins un an et qui est sec, exempt de glace et de neige.
		7. Utilisation du poêle à un taux de combustion bas	7.1 Faire fonctionner le poêle à un taux de combustion plus élevé afin de permettre au système autonettoyant de conserver la vitre propre.
8. La brassée de bois est trop près de la vitre		8.1 Ne jamais charger le bois pour qu'il touche à la fenêtre de vitre céramique.	
Accumulation de braise dans la chambre de combustion	9. Utilisation du poêle à un taux de combustion élevé	9.1 Réduire l'admission d'air comburant et permettre à la braise de brûler avant de rajouter du bois.	
Feu hors contrôle	10. Tirage excessif	10.1 Réduire la hauteur de la cheminée.	
	11. Fuite d'air	11.1 Inspecter les joints d'étanchéité de la fenêtre et des portes et les remplacer au besoin.	
	12. Bois de chauffage trop sec	12.1 Brûler seulement du bois de chauffage sec. Ne pas faire brûler de bois séché au séchoir ou du bois de palette.	
Fumée excessive provenant de la pile	13. Utilisation du poêle à un taux de combustion bas	13.1 Faire fonctionner le poêle à un taux de combustion plus élevé pour activer la combustion secondaire.	
	14. Bois humide ou vert	14.1 Brûler seulement du bois qui a séché au moins un an et qui est sec, exempt de glace et de neige.	
	15. Nouvelle charge de bois qui ne s'enflamme pas	15.1 Faire carboniser la nouvelle charge de bois jusqu'à ce qu'elle s'enflamme complètement et que la combustion secondaire se produise dans la chambre de combustion.	

## LISTE DES PIÈCES DE RECHANGE

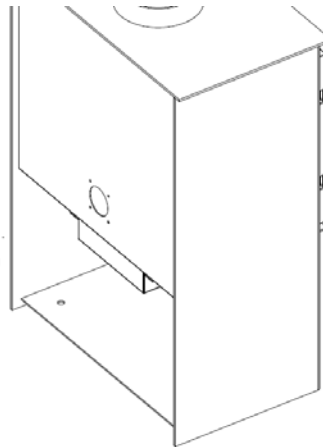
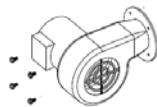
No sur le diagramme	Description	Pièce n°	Par unité
1	Contrôle d'admission d'air coulissant	AC-17ACS	1
2	Adaptateur d'air extérieur	AC-17OAA	1
3	Panneau en vermiculite droit	AC-17RBR	1
4	Panneau en vermiculite gauche	AC-17RBL	1
5	Panneau en vermiculite arrière	AC-17RBB	2
6	Brique réfractaire 23 cm x 10 cm x 3,2 cm (9 po x 4 po x 1,25 po)	AC-SB	4
7	Défecteur en vermiculite haut	AC-17RBT	1
8	Joint d'étanchéité de la porte [5/8 po dia HD]	AC-DGKNC	1
9	Joint d'étanchéité de la fenêtre	AC-GGK	1
10	Panneau de vitre céramique	AC-G40	1
11	Brides de fenêtre	AC-GS16	2
12	Porte en fonte	CA-16	1
13	Tube secondaire (avant)	AC-17BTF	1
14	Défecteur réfractaire supérieur	AC-17URBVL	1
15	Tube secondaire (arrière)	AC-17BTR	1
Non illustré	Grosse poignée à ressort	AC-SH (Laiton)	1
		AC-SHN (Nickel)	
Non illustré	Poignée à ressort du contrôle d'admission d'air	AC-SH4 (Laiton)	1
		AC-SH4N (Nickel)	

## ACCESSOIRES EN OPTION

### Ventilateur de convection AC-16

Le poêle à bois Tranquility a aussi été conçu pour être utilisé avec le ventilateur de convection pour augmenter la circulation de chaleur. Le poêle est construit avec des canaux de convection sur le dessus et à l'arrière ce qui permet au ventilateur d'air ambiant de prélever la chaleur aux endroits les plus chauds du poêle et de la redistribuer dans la résidence. Les vis de fixation du ventilateur sont installées au canal de convection arrière en usine. Le montage du ventilateur ne nécessite qu'une clé à douille ou une clé à fourche de 5/16 po pour retirer les vis et installer le ventilateur. Lors de l'acheminement du cordon d'alimentation électrique, prendre soin de l'éloigner des zones chaudes de l'appareil, il faut aussi se souvenir que le ventilateur doit être utilisé seulement avec le poêle. Veuillez consulter le diagramme ci-dessous pour obtenir des clarifications sur l'installation du ventilateur d'air ambiant.

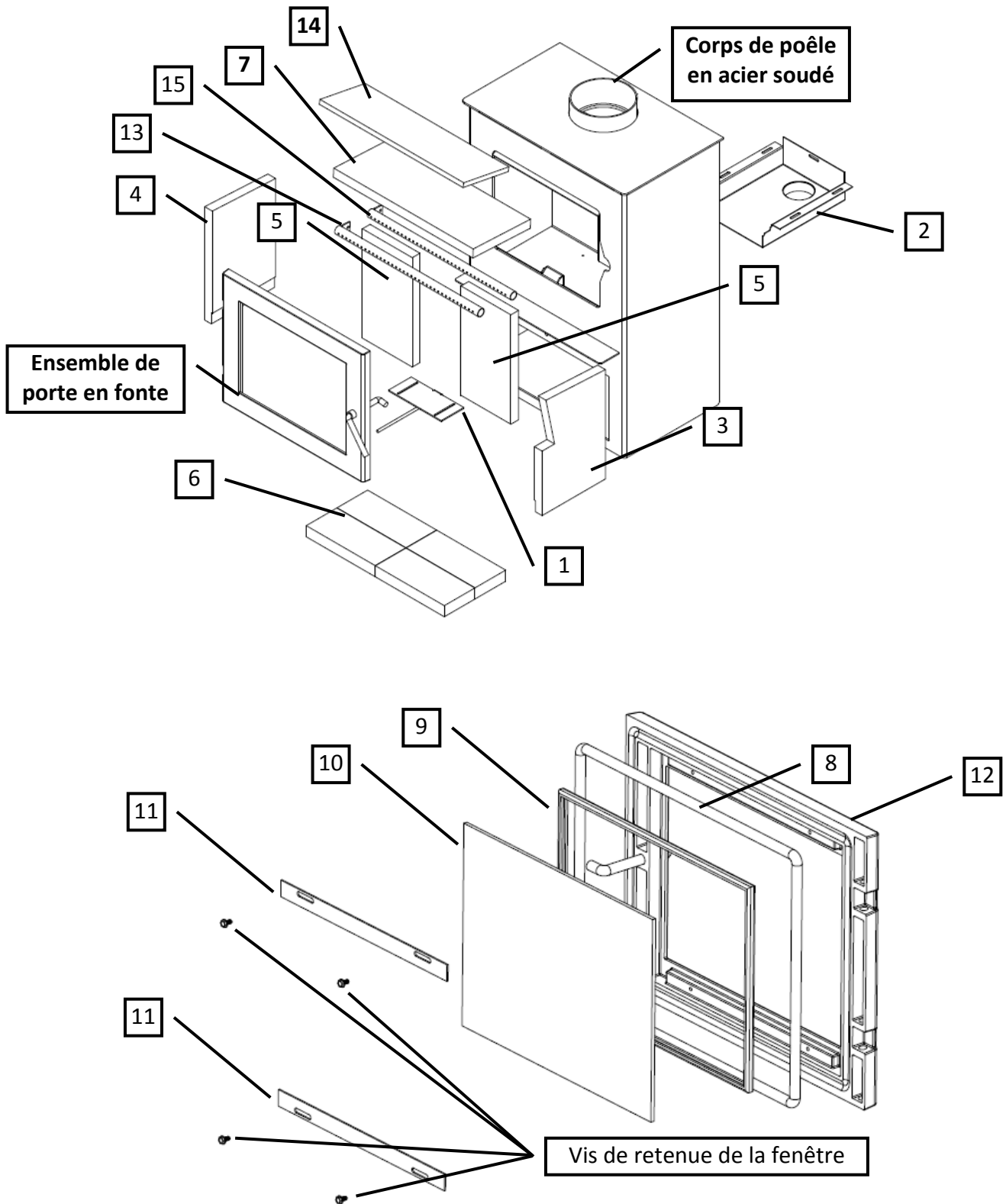
(4) vis auto taraudeuses à tête 5/16 po (déjà installées sur le poêle à bois).



**Mise en garde**  
Débrancher la source d'alimentation électrique avant d'installer le ventilateur.

Le ventilateur optionnel de circulation de chaleur de ce poêle requiert une lubrification périodique, cette lubrification devrait être faite au moins tous les trois mois d'utilisation. Pour lubrifier adéquatement le ventilateur, utilisez un compte-gouttes ou tout autre dispositif semblable et déposez 5 à 7 gouttelettes d'huile SAE 20 dans l'orifice à huile sur le côté du moteur du ventilateur.

# SCHÉMA DES PIÈCES ILLUSTRÉES







# **GARANTIE LIMITÉE À CINQ (5) ANS**

**À l'acheteur initial à dater de l'achat**

Le fabricant offre les garanties suivantes :

## **Période de cinq ans :**

1. L'acier au carbone et les soudures du foyer sont garantis pendant cinq (5) ans contre la fissuration.
2. La porte et les charnières en fonte sont garanties pendant cinq (5) ans contre le fendillement.

## **Période d'un an :**

1. Les composants électriques, les accessoires, le verre et la surface peinte sont garantis pendant un (1) an à dater de l'achat.

## **Conditions et exclusions :**

1. Les dommages dus à la surchauffe annuleront la garantie.
2. Cette garantie ne s'applique pas en cas de dommage causé par un accident, une mauvaise manipulation, une installation défectueuse, une mauvaise utilisation, un abus, ou une réparation non autorisée faite ou tentée d'être faite.
3. Le fabricant n'est pas responsable des dommages indirects, accessoires ou immatériels en regard avec le produit, y compris des coûts et dépenses pour fournir du matériel ou du service de remplacement pendant les périodes de fonctionnement défectueux ou de non-utilisation.\*
4. Toute responsabilité pour des dommages indirects pour bris de garantie écrite ou implicite est déclinée et exclue.
5. Cette garantie ne couvre pas l'usure des pièces internes du système de combustion incluant le revêtement en vermiculite de la chambre à combustion et les joints d'étanchéité.

- Certains états (ou provinces) n'autorisent pas l'exclusion ou la restriction des dommages accessoires ou indirects; par conséquent, la restriction ou les exclusions ci-dessus pourraient ne pas s'appliquer à vous.

## **Procédure :**

L'acheteur doit envoyer un avis de réclamation de défaut durant la période de garantie et payer le transport aller-retour au centre de service désigné par le fabricant. Le vendeur auquel vous avez acheté l'appareil ou l'usine, à notre choix, exécutera le service relatif à la garantie.

**Autres droits :**

Cette garantie vous donne des droits spécifiques et vous pourriez également avoir d'autres droits qui peuvent varier selon les états et les provinces.

Veillez prendre note : Cette garantie est nulle et non avenue si vous ne retournez pas l'enregistrement de la garantie et une copie de votre facture dans les trente (30) jours suivant l'achat.

**La garantie n'est pas transférable.**

## ENREGISTREMENT DE GARANTIE pour England's Stove Works®

### Coordonnées de l'acheteur

Nom de l'acheteur \_\_\_\_\_

II. Adresse \_\_\_\_\_

III. Ville \_\_\_\_\_ Province \_\_\_\_\_ Code postal \_\_\_\_\_

IV. Numéro de téléphone \_\_\_\_\_

V. Courriel \_\_\_\_\_

### Coordonnées du vendeur

VI. Nom \_\_\_\_\_

VII. Adresse \_\_\_\_\_

VIII. Ville \_\_\_\_\_ Province \_\_\_\_\_ Code postal \_\_\_\_\_

### Information sur l'appareil

\*Reportez-vous à l'étiquette à l'arrière du manuel ou de la boîte pour remplir cette section.

IX. Numéro du modèle \_\_\_\_\_ Date d'achat \_\_\_\_\_

X. Prix d'achat \_\_\_\_\_

XI. Numéro de série \_\_\_\_\_ Date de fabrication \_\_\_\_\_

### Questions sur l'achat

Comment avez-vous entendu parler de notre produit? (Veuillez cocher une case)

Bouche à oreille \_\_\_\_ Caravane de démonstration pour brûleur \_\_\_\_ Internet \_\_\_\_

Autre : \_\_\_\_\_

Comment avez-vous reçu l'information au sujet de notre produit?

Par téléphone \_\_\_\_ Nom du vendeur \_\_\_\_\_ Internet \_\_\_\_

Autre : \_\_\_\_\_

## **Avis important**

Ce dossier **DOIT** contenir cette information d'enregistrement pour que cette garantie soit valide. Veuillez poster cette information dans les trente (30) jours à dater de l'achat.

Utiliser un de ces trois moyens faciles pour faire parvenir votre information de garantie!

### **Adresse de courrier**

England's Stove Works, Inc.  
Technical Support Department  
P.O. Box 206  
Monroe, VA 24574

### **Télécopieur**

(434) 929-4810 – 24 heures par jour

### **Inscription en ligne**

Consulter notre site Web d'enregistrement de garantie à:  
<http://www.heatredefined.com/support/warranty-registrations/>

Respecte les limites d'émission de 2015 établies par l'Environmental Protection Agency des États-Unis en fonction de tests effectués à l'aide de combustible préassemblé (« crib wood ») pour les poêles à bois vendus après le 15 mai 2015.

## RENSEIGNEMENTS SUR L'EPA

Les ajouts suivants à votre guide d'utilisation vous permettront de réduire au minimum les émissions produites par votre poêle à bois. Des conseils de sécurité importants vous sont également présentés.

- *Installation adéquate* – Veuillez consulter la section sur l'installation de votre guide d'utilisation et suivre les directives énoncées afin d'assurer la sécurité et de réduire au minimum les émissions.

### *Renseignements supplémentaires :*

Généralités sur la ventilation :

Tirage : Le tirage désigne la force qui déplace l'air de l'appareil jusque dans la cheminée. La puissance du tirage dans votre cheminée dépend de la longueur de la cheminée, de la géographie locale, des obstructions à proximité et d'autres facteurs. Un tirage trop élevé peut entraîner des températures trop élevées dans l'appareil et endommager la chambre de combustion catalytique. Un tirage inadéquat peut entraîner un refoulement de fumée dans la pièce et obstruer la cheminée ou le catalyseur.

Un tirage inadéquat entraînera des fuites de fumée dans la pièce par les joints de raccord de l'appareil et de la cheminée.

Un taux de combustion incontrôlable ou une température trop élevée indique un tirage excessif. Soyez conscient de l'emplacement de l'installation : un refoulement et d'autres problèmes de qualité de l'air peuvent survenir dans les vallées ou si l'appareil est installé à proximité d'habitations voisines.

Ce poêle à bois utilise un système de tirage naturel dans lequel le système de cheminée tire l'air dans le poêle. Cet appareil doit être installé conformément aux techniques de ventilation décrites en détail ci-après. Le non-respect des détails mentionnés pourrait réduire son rendement et causer des dommages matériels, des blessures ou la mort. Évitez d'avoir recours à des expédients lors de l'installation du système de ventilation. England's Stove Works n'est pas responsable des dommages causés par une installation incorrecte ou non sécuritaire.

Assurez-vous de bien suivre toutes les instructions du fabricant relatives au système de ventilation, surtout par rapport aux distances minimales nécessaires avec les matières combustibles. Assurez-vous également d'utiliser un écran antirayonnement de grenier afin d'éviter que l'isolant entre en contact avec une cheminée qui traverse un grenier.

Le système de cheminée est le « moteur » du poêle à bois. Il est donc essentiel que le système de ventilation soit installé exactement selon la description indiquée dans la section suivante afin d'assurer un fonctionnement adéquat de l'appareil.

Pour toute question relative à l'installation sécuritaire du poêle, appelez notre service de soutien technique au 1 800 245-6489. Communiquez avec un agent responsable local afin de vous assurer que l'installation est conforme aux exigences municipales et nationales en matière de prévention des incendies. Si vous n'êtes pas certain de pouvoir installer le poêle de façon sécuritaire, nous vous suggérons fortement de faire appel à un installateur local certifié par le NFI (National Fireplace Institute des États-Unis).

Consignes pour la ventilation :

- Installez **TOUJOURS** le tuyau de ventilation en respectant rigoureusement les instructions et les

indications sur les dégagements qui accompagnent le système de ventilation.

- Ne raccordez **PAS** le poêle à bois à un conduit de fumée déjà utilisé pour un autre appareil.
- N'INSTALLEZ **PAS** un régulateur de tirage ni aucun autre dispositif de réglage dans le système d'évacuation par ventilation de cet appareil.
- **UTILISEZ** un manchon d'emboîtement mural homologué pour traverser un mur et un support de plafond ou un coupe-feu pour traverser un plafond.
- **INSTALLEZ** trois vis à tôle sur chaque joint de raccord de cheminée.
- **ÉVITEZ** de trop nombreux coudes et parcours horizontaux, car ils réduiront le tirage du système de ventilation, ce qui nuira au rendement du poêle.
- **INSPECTEZ** souvent le système de ventilation afin de vous assurer qu'il ne contient pas de crésote, de cendres volantes ou d'autres obstructions.
- **NETTOYEZ** le système de ventilation comme il est décrit dans la section sur l'entretien du présent guide.
- **RESPECTEZ** la règle 10-3-2 concernant les raccordements de la cheminée.
- **INSTALLEZ** le raccord de cheminée à paroi simple avec l'extrémité mâle **vers le bas** pour éviter les fuites de crésote. Suivez les instructions du fabricant de raccords de cheminée à paroi double concernant l'installation adéquate des tuyaux.

**AVERTISSEMENT** : Les surfaces du système de ventilation deviennent CHAUDES et peuvent causer des brûlures si vous les touchez. Il peut être nécessaire d'utiliser un revêtement ou des grilles de protection incombustibles.

**Règle 10-3-2** : Le système de cheminée doit se terminer à 0,91 m (3 pi) au-dessus du point où son axe central traverse le toit ET la cheminée doit se terminer à 0,61 m (2 pi) au-dessus de toute partie du logement dans un rayon de 3,05 m (10 pi) de la cheminée.

- *Fonctionnement et entretien* – Consultez les sections sur le fonctionnement (mode d'emploi) et l'entretien (y compris le retrait et l'élimination des cendres) de votre guide d'utilisation et suivez les directives énoncées pour assurer la sécurité et réduire au minimum les émissions.

Renseignements supplémentaires :

Respectez les instructions de votre guide d'utilisation concernant l'allumage d'un feu afin de produire un feu approprié et de réduire les émissions visibles.

Plus :

- *Alimentation en combustible et réalimentation* : Conseils pratiques pour faire un feu – Consultez votre guide d'utilisation pour obtenir des renseignements sur l'alimentation en combustible (et la réalimentation) ainsi que sur les procédures d'allumage de feu (c.-à-d., faire un feu).
- *Allumage du haut vers le bas* : L'EPA reconnaît l'efficacité de la méthode d'allumage du haut vers le bas. Vous trouverez un bon tutoriel sur cette méthode au <http://woodheat.org/top-down-steps.html>. Pour allumer un feu du haut vers le bas, assurez-vous de suivre les instructions de votre guide d'utilisation et communiquez avec le service de soutien technique si vous avez des questions.
- *Sélection du combustible* : Lorsque votre appareil de chauffage au bois est correctement installé, vous devrez utiliser un bon bois de chauffage pour allumer un feu efficace (le bon bois en quantité suffisante) ainsi que connaître de bonnes méthodes d'allumage de feu. Les étapes pratiques suivantes vous aideront à tirer le meilleur rendement de votre poêle à bois ou foyer.

- Laissez votre bois sécher à l'extérieur tout l'été pendant au moins six mois avant de le brûler. Un bois correctement séché est plus foncé, présente des fissures sur le fil d'extrémité et sonne creux lorsque vous le cognez contre un autre morceau de bois.
- Conservez votre bois à l'extérieur, bien empilé sur le sol avec une protection au-dessus.
- Ne brûlez que du bois bien sec qui a été correctement fendu.
- Pour allumer un feu, utilisez uniquement du papier journal et du bois d'allumage, comme il est mentionné précédemment dans le guide.
- Faites des feux chauds.
- Pour maintenir une ventilation adéquate, retirez régulièrement les cendres de votre appareil de chauffage au bois dans un récipient en métal doté d'un couvercle que vous conserverez à l'extérieur.

### Renseignements sur l'humidimètre

- Le bois de chauffage peut être brûlé lorsqu'il a une teneur en humidité de 10 à 25 %.
- Les bûches fraîchement coupées peuvent avoir une teneur en humidité de 80 % ou plus, selon l'essence du bois. Puisque le bois rétrécit, et peut également se fendre, se tordre ou autrement changer de forme en séchant, la plupart des bois doivent être séchés avant d'être utilisés. Le séchage à l'air est la méthode la plus fréquemment utilisée pour le bois enstéré. Dans la plupart des régions des États-Unis, la teneur en humidité minimale qu'il est possible d'obtenir par un séchage à l'air est d'environ 12 à 15 %. La plupart des matériaux séchés à l'air ont une teneur en humidité avoisinant 20 % lorsqu'ils sont utilisés.
- Pour vérifier la teneur en humidité de votre bois de chauffage, enfoncez simplement les tiges dans le bois et attendez la lecture de l'humidimètre. Souvenez-vous **de ne pas enfoncer les tiges de l'humidimètre uniquement dans les extrémités du bois de chauffage**. Pour obtenir une lecture précise, fendez la bûche et faites le test au centre. Le centre de la bûche contiendra la plus forte teneur en humidité.

À quelle distance dois-je enfoncer les tiges non isolées dans le bois?

- Jusqu'à une profondeur maximale, si c'est possible. Toutefois, à des taux d'humidité inférieurs à 10 %, il est généralement suffisant de créer un contact franc avec le bois. À des taux d'humidité supérieurs, et particulièrement si l'inclinaison est grande, une pénétration complète est essentielle.

- **COMBUSTIBLES À ÉVITER :**

**MISE EN GARDE**

- **N'UTILISEZ JAMAIS D'ESSENCE, DE COMBUSTIBLE POUR LAMPE APPARENTÉ À L'ESSENCE, DE KÉROSÈNE, DE LIQUIDE D'ALLUMAGE POUR CHARBON, NI AUCUN LIQUIDE SIMILAIRE POUR ALLUMER OU RAVIVER UN FEU DANS CET APPAREIL DE CHAUFFAGE. CONSERVEZ DE TELS LIQUIDES ÉLOIGNÉS DE L'APPAREIL DE CHAUFFAGE LORSQUE CELUI-CI FONCTIONNE. DE PLUS, NE DISEPZ JAMAIS D'ALLUME-FEUX SUR UNE SURFACE CHAUDE NI SUR DES TISONS DANS LE POÊLE. N'UTILISEZ PAS DE PRODUITS CHIMIQUES NI DE FLUIDES**
  - **POUR ALLUMER LE FEU.**
- **NE FAITES PAS BRÛLER DE LIQUIDES INFLAMMABLES COMME DE L'ESSENCE, DU NAPHTA OU DE L'HUILE POUR MOTEUR.**
- **NE FAITES PAS BRÛLER DES DÉCHETS, DU GAZON COUPÉ OU DES RÉSIDUS DE JARDINAGE, DES MATÉRIEAUX CONTENANT DU CAOUTCHOUC, Y COMPRIS DES PNEUS, DES MATÉRIEAUX CONTENANT DU PLASTIQUE, DES DÉCHETS DE PRODUITS PÉTROLIERS, DE LA PEINTURE OU DU DILUANT À PEINTURE, DES PRODUITS BITUMINEUX, DES MATÉRIEAUX CONTENANT DE L'AMIANTE, DES DÉBLAIS OU DES DÉBRIS DE CONSTRUCTION, DES TRAVERSES DE CHEMIN DE FER OU DU BOIS TRAITÉ SOUS PRESSION, DU FUMIER OU DES RESTES D'ANIMAUX, DU BOIS DE GRÈVE IMPRÉGNÉ D'EAU SALÉE OU DES MATÉRIEAUX PRÉALABLEMENT SATURÉS EN EAU SALÉE, DES PRODUITS DE PAPIER, DU CARTON, DU CONTREPLAQUÉ OU DES PANNEAUX DE PARTICULES. L'INTERDICTION DE BRÛLER CES MATÉRIEAUX NE VOUS EMPÊCHE PAS D'UTILISER DES ALLUME-FEU À BASE DE PAPIER, DE CARTON, DE SCIURE, DE CIRE OU D'AUTRES SUBSTANCES SEMBLABLES POUR ALLUMER UN FEU DANS LE POÊLE À BOIS. LA COMBUSTION DE CES MATÉRIEAUX PEUT COMPROMETTRE L'EFFICACITÉ DU POÊLE ET PRODUIRE DE LA FUMÉE ET DES VAPEURS TOXIQUES.**

- **Pratiques de chauffage au bois sécuritaires**

Une fois que votre appareil de chauffage au bois est correctement installé, suivez ces directives pour assurer un fonctionnement sécuritaire :

- Conservez tous les articles de maison inflammables (draps, meubles, journaux et livres) loin de l'appareil.
  - Pour allumer un feu, utilisez uniquement du papier journal, du bois d'allumage et un allume-feu entièrement naturel ou biologique. N'utilisez jamais d'essence, de kérosène ou d'allumoir à charbon pour allumer un feu.
  - Ne brûlez pas de bûches humides ou vertes (non séchées).
  - N'utilisez pas de bûches faites de cire ou de sciure de bois dans votre poêle à bois, car elles sont conçues pour des foyers ouverts. Si vous utilisez des bûches fabriquées, prenez celles qui sont faites de sciure de bois compressée à 100 %.
  - Faites des feux chauds. Pour la plupart des appareils de chauffage au bois, un feu qui couve n'est ni sécuritaire ni efficace.
  - Gardez fermées les portes de votre appareil de chauffage au bois sauf pour ajouter des bûches ou alimenter le feu. Des produits chimiques nocifs, comme le monoxyde de carbone, peuvent être libérés dans votre domicile.
  - Retirez régulièrement les cendres de votre appareil de chauffage au bois dans un récipient en métal doté d'un couvercle. Rangez le récipient contenant les cendres à l'extérieur, sur une dalle de ciment ou de brique (et non pas sur une terrasse en bois ni à proximité de bois). Consultez les instructions sur le retrait des cendres dans le guide d'utilisation.
  - Gardez un extincteur d'incendie à portée de la main.
  - N'oubliez pas de consulter les prévisions locales sur la qualité de l'air avant d'utiliser votre poêle à bois.
- **Commande d'air :** CONSULTEZ VOTRE GUIDE D'UTILISATION pour obtenir plus de renseignements sur l'utilisation appropriée de la commande d'air (dans la section Fonctionnement).



- *RETRAIT DES CENDRES* – Suivez les instructions du guide d'utilisation concernant le retrait et l'élimination des cendres.
- *REMPACEMENT des pièces essentielles à un taux d'émission faible* – Suivez les instructions du guide d'utilisation concernant le remplacement des joints et des autres pièces essentielles à un taux d'émission faible.

Rappel : « Afin d'assurer le bon fonctionnement du poêle à bois, vous devez l'inspecter et le réparer périodiquement. En vertu des règlements fédéraux, il est interdit d'utiliser ce poêle à bois d'une manière non conforme au mode d'emploi indiqué dans le présent guide. »

Plus : Tubes de brûleur – Pour remplacer un tube, assurez-vous de commander le tube qui correspond à celui que vous devez remplacer. Retirez ensuite la vis située du côté gauche du tube à l'aide d'une douille ou d'une clé à fourches de 5/16 po. Assurez-vous de conserver la vis. Poussez le tube vers la droite, puis retirez-le (en ramenant le tube vers la gauche après avoir retiré ce côté de l'orifice). Pour remplacer le tube, inversez la procédure indiquée ci-dessus. Assurez-vous d'installer les tubes dans l'ordre adéquat. (Avant vers l'arrière)

- **Détecteurs de fumée**

England's Stove Works, Inc. recommande fortement l'utilisation de détecteurs de fumée dans chaque pièce de la maison. Cependant, le fait de poser un détecteur de fumée directement au-dessus de l'appareil pourrait causer des alarmes intempestives.

#### **MISE EN GARDE**

**Cet appareil est conçu pour fonctionner uniquement lorsque la porte est fermée. L'utilisation du poêle avec la porte ouverte provoquerait un refoulement de fumée et une combustion lente et inefficace.**

**De plus, l'utilisation de combustibles interdits peut être dangereuse et produire un excès de monoxyde de carbone. Le monoxyde de carbone est un gaz mortel qui est inodore et incolore.**

**Il est fortement recommandé d'utiliser un détecteur de monoxyde de carbone.**

- *Conformité* : « Ce poêle à bois non catalytique respecte les limites d'émission de 2015 établies par l'Environmental Protection Agency des États-Unis en fonction de tests effectués à l'aide de combustible préassemblé (« crib wood ») pour les poêles à bois vendus après le 15 mai 2015. »
- *Avertissement relatif aux modifications* : « Ce poêle à bois est doté d'un taux de combustion bas minimum réglé en usine qui ne doit pas être modifié. En vertu des règlements fédéraux, il est interdit de modifier ce réglage et d'utiliser ce poêle à bois d'une manière non conforme au mode d'emploi indiqué dans le présent guide. »
- *Garantie* : Consultez votre guide d'utilisation pour obtenir le formulaire d'enregistrement de la garantie et connaître les instructions relatives aux procédures de la garantie. Dans le cas des pièces, les procédures de remplacement au titre de la garantie se trouvent sur le site de notre magasin de pièces : [www.store.heatredefined.com](http://www.store.heatredefined.com)