

PARTS, ACCESSORIES AND OPTIONS LIST

(Options and trim (*i.e. brass and nickel*) interchange for variety.)

REPLACEMENT PARTS

AC-G17	DOOR GLASS KIT WITH GASKET (16 ½ " x 9 ¼ " x .197")
AC-GGK	DOOR GLASS GASKET KIT (gasket only, no glass)
AC-DGKNC	DOOR GASKET KIT (5/8" High-Density fiberglass rope gasket)
AC-SB	9" X 4" X 1 ¼" FIREBRICK (see Brick Layout diagram)
AC-SBN	9" X 4" X 1 ¼" FIREBRICK W/ .75 X .75 NOTCH (see Brick Layout diagram)
AC-SBN	9" X 4" X 1 ¼" FIREBRICK W/ 1" x 3" NOTCH (see Brick Layout diagram)
AC-SB4.5	4" X 4 ½" X 1 ¼" FIREBRICK (see Brick Layout diagram)
AC-SB9x2.5	9" X 2 ½" X 1 ¼" FIREBRICK (see Brick Layout diagram)
AC-SB2	4" X 2 ½ " X 1 ¼" FIREBRICK (see Brick Layout diagram)
AC-13BTF	FRONT BURNER TUBE
AC-13BTM	MIDDLE BURNER TUBE
AC-13BTR	REAR BURNER TUBE
AC-13CFB-MH	CERAMIC FIBER BOARD
AC-SH	BRASS DOOR SPRING HANDLE
AC-SHN	NICKEL DOOR SPRING HANDLE
AC-SH4	BRASS AIR CONTROL SPRING HANDLE
AC-SH4N	NICKEL AIR CONTROL SPRING HANDLE
AC-03	BRASS ASH PAN KNOB
AC-03BN	NICKEL ASH PAN KNOB
AC-MBSP	HI-TEMPERATURE BLACK PAINT

OPTIONS

AC-16	ROOM AIR BLOWER
AC-NCSHSB	SIDE HEAT SHIELD SYSTEM (BLACK)
AC-108	BRASS ACCENT TRIM RING FOR DOOR ("C," "P" AND "L" MODELS ONLY)
AC-108BN	NICKEL ACCENT TRIM RING FOR DOOR ("C," "P" AND "L" MODELS ONLY)
AC-107	BRASS LIP TRIM
AC-107BN	NICKEL LIP TRIM

BASIC PARTS LIST

- 1 DOOR
- 2 GLASS
- 3 SPRING HANDLE FOR DOOR
- 4 DOOR GASKET
- 5 ASH DRAWER KNOB
- 6 ASH DRAWER
- 7 SPRING HANDLE FOR AIR INLET CONTROL
- 8 (OPTIONAL) SIDE HEAT SHIELD SYSTEM

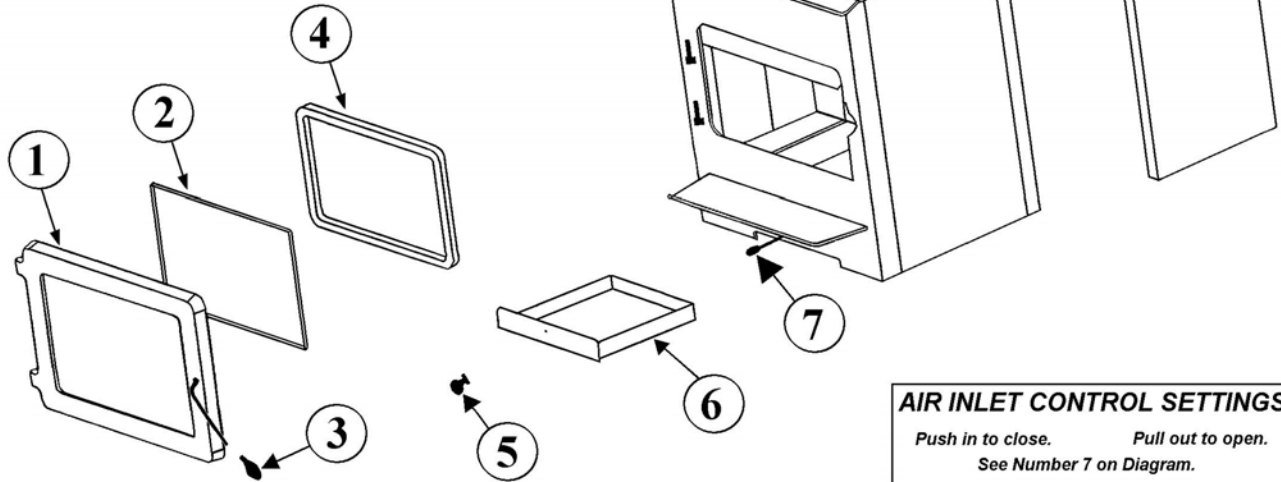


Illustration 6

EXPLODED VIEW

Stove shown without base.
See Illustration 7 for base options and details

AIR INLET CONTROL SETTINGS

Push in to close. Pull out to open.
See Number 7 on Diagram.

<u>Burn Rate</u>	<u>Inlet Air Setting</u>
Low	Fully Closed
Med. Low	¼ Open
Med. High	¾ Open
High	Fully Open

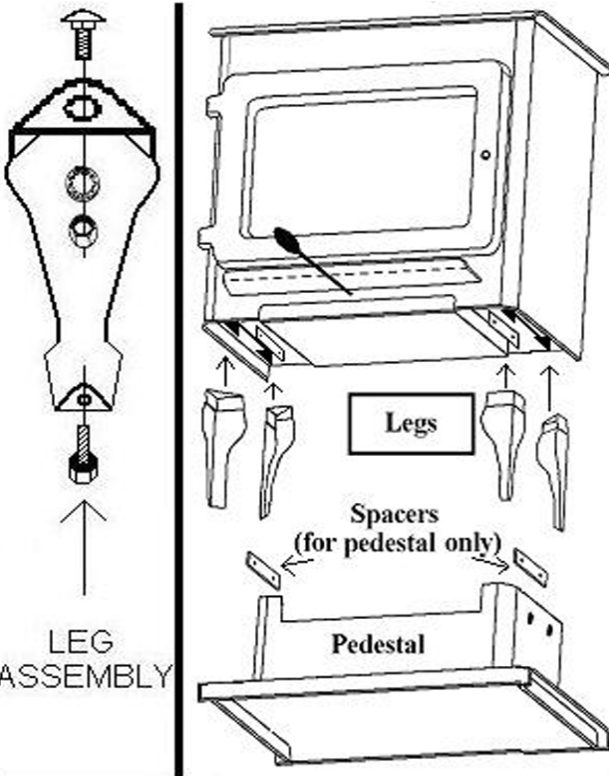


Illustration 7

Base Options and Details

DIRECTIONS FOR INSTALLATION OF LEGS OR PEDESTAL:

(Stove must be cooled and all ashes cleaned out)

- * Remove bricks, disconnect flue, and turn stove on its back.
- * If you are replacing existing legs or pedestal, disconnect the existing legs or pedestal.

To install legs:

1. Each leg will fit into a pre-made slot on each corner of the bottom of the unit.
2. A 3/8" x 1-1/2" Carriage Bolt and matching nut is supplied with each leg. Fit a leg into a slot, and match the hole on the leg with the hole in the slot. Attach the legs one at a time, using the supplied bolts and nuts. Tighten securely.

To install pedestal:

1. Place spacers (provided) between the slots on the unit and the pedestal base (one spacer will fit on each side of the pedestal). Match the four holes in the pedestal (2 on each side) with the holes in the spacers and slots on the unit.
2. Use the four 3/8" x 1-1/2" Carriage Bolts and nuts (provided) to attach the pedestal to the base of the stove. Tighten securely.

- * After attaching the legs or pedestal, turn unit upright, reconnect flue and replace bricks according to manual.