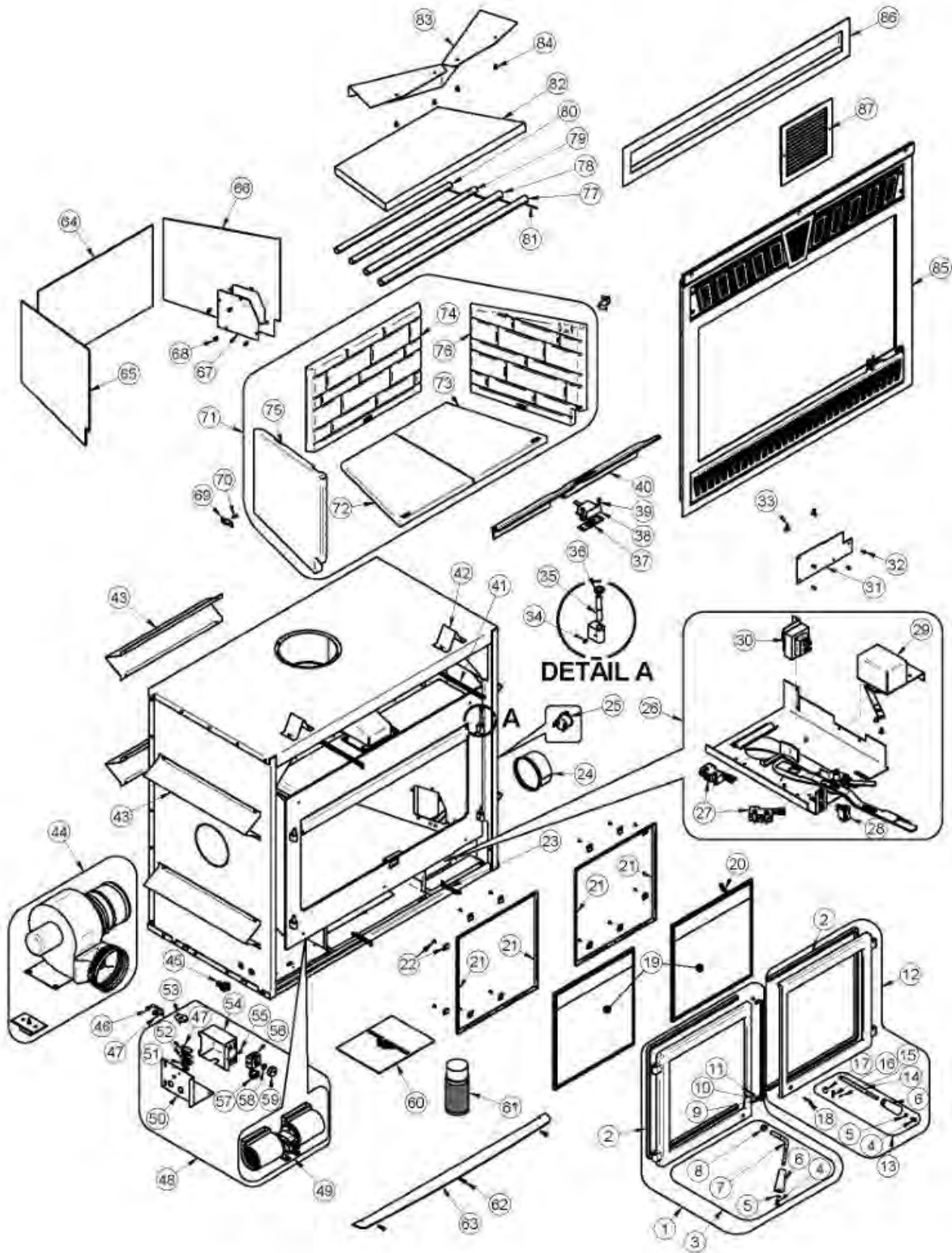


# APPENDIX 9 - EXPLODED DIAGRAM AND PARTS LIST – FP15



#	Item	Description	Qty
1	SE24172	LEFT DOOR FRAME WITH HANDLE AND GASKET	1
2	AC06500	SILICONE AND 5/8" X 8' BLACK DOOR GASKET KIT	1
3	SE68960	LEFT HANDLE AND LATCH KIT	1
4	30025	1/4-20 X 1/2" PAN-HEAD QUADREX BLACK SCREW	2
5	30187	STAINLESS WASHER ID 17/64" X OD 1/2"	2
6	30898	ROUND WOODEN BLACK HANDLE	2
7	PL68960	LEFT HANDLE DOOR	1
8	30039	NUT 1/2-20	1
9	40030	ROUND 1/4" ROPE WITH ADHESIVE	2
10	PL61410	GASKET RETAINER	2
11	30124	SCREW #8 - 32 X 5/16" TRUSS QUADREX ZINC	2
12	SE24173	RIGHT DOOR FRAME WITH HANDLE AND GASKET	1
13	SE68961	RIGHT HANDLE AND LATCH KIT	1
14	PL68961	RIGHT DOOR HANDLE	1
15	30062	SPRING PIN 3/32" X 1/2"	1
16	30043	CLEVIS PIN 3/16" x 7/8"	1
17	8435-08	BLACK OXIDE LATCH MECHANISM BEARING	1
18	30101	SPRING TENSION PIN 5/32" DIA X 1 1/2"L	1
19	23066	FP15 ROBAX GLASS	2
20	AC06400	3/4" (FLAT) X 6' BLACK SELF-ADHESIVE GLASS GASKET	2
21	PL68894	GLASS RETAINER FRAME	4
22	SE53585	GLASS RETAINER KIT WITH SCREWS (12 PER KIT)	1
23	30472	SPRING 1/2" OUTSIDE DIA. X 3"L	2
24	PL68915	ADAPTER 5"	1
25	44191	THERMODISC 36T12 F275	1
26	SE68877	AIR CONTROL MECHANISM ASSEMBLY	1
27	44190	LIMIT SWITCH	2
28	60236	ROCKER SWITCH 2 POSITION RED LIGHT	1
29	51000	HONEYWELL 24V DAMPER MOTOR	1
30	60208	TRANSFORMER 120 V/24 V 20 VA	1
31	PL68781	AIR INLET PLATE	1
32	30131	BLACK METAL SCREW #10 X 1/2" TYPE "A" PAN QUADREX	4
33	30485	WING NUT 1/4-20 X 1/2" ZINC PLATTED	2
34	30117	SOCKET SET SCREW #10-32 X 1/4"	2
35	30586	HINGE PIN	2
36	30203	FLAT WASHER .682" OD X .390" ID BRASS	2
37	21490	PILOT INSULATION	1
38	SE68758	PILOT ASSEMBLY	1
39	30094	HEX SCREW WASHER HEAD 1/4-20 X 3/4" F ZINC TYPE	1

#	Item	Description	Qty
40	PL68759	INNER ASH RETAINER	1
41	30767	SPRING 1/2" OUTSIDE DIA. X 8"L	1
42	PL60266	LONG TOP STANDOFF	1
43	PL68952	SIDE STANDOFF	6
44	VA4460	FORCED AIR DISTRIBUTION KIT	1
45	60201	CONNECTOR 1 SCREW 3/8" FOR BX WIRE	1
46	PL66523	THERMODISC SUPPORT	1
47	30133	METAL SCREW #8 X 3/8" PAN QUADREX TYPE "A" ZINC	2
48	SE68951	WIRED ELECTRICAL PARTS WITH JUNCTION BOX	1
49	44122	DOUBLE CAGE BLOWER 176 CFM (CLASS H)	1
50	PL68950	JUNCTION BOX COVER	1
51	60204B	TERMINAL BLOCK (END SECTION)	1
52	60204A	TERMINAL 3/8" SECTION	2
53	44046	THERMODISC F110-20F	1
54	PL68951	CONNECTOR BLOCK CASE	1
55	30154	BLACK SCREW #10 X 5/8" ROBERTSON TYPE A	1
56	44080	RHEOSTAT WITH NUT	1
57	44091	ROCKER SWITCH 2 POSITION MSR-8	1
58	44087	RHEOSTAT NUT	1
59	44085	RHEOSTAT KNOB	1
60	SE45858	FP15 OWNER'S MANUAL KIT	1
61	AC05959	METALLIC BLACK STOVE PAINT - 342 g (12oz) AEROSOL	1
62	30506	SCREW PAN TORX TYPE F 1/4-20 X 1" BLACK	3
63	PL68839	DÉCORATIVE ASH LIP	1
64	21463	REAR COMBUSTION CHAMBER INSULATION	1
65	21464	LEFT COMBUSTION CHAMBER INSULATION	1
66	21465	RIGHT COMBUSTION CHAMBER INSULATION	1
67	PL68873	THERMODISC ACCESS	1
68	30084	NUT 1/4-20 X 1/2" GRADE 5	4
69	PL53145	REFRACTORY RETAINER	2
70	30026	THREAD CUTTING SCREW 10-24 F 5/8" HEX WASHER HEAD	2
71	AC02360	CLASSIC MOULDED REFRACTORY BRICK PANELS	1
72	22025	LEFT FLOOR REFRACTORY	1
73	22026	RIGHT FLOOR REFRACTORY	1
74	22027	REAR REFRACTORY	1
75	22028	LEFT REFRACTORY	1
76	22029	RIGHT REFRACTORY	1
77	PL68762	FRONT SECONDARY AIR TUBE	1
78	PL68763	CENTER FRONT SECONDARY AIR TUBE	1
79	PL68764	REAR SECONDARY AIR TUBE	1
80	PL68765	CENTER SECONDARY AIR TUBE	1
81	30068	STAINLESS STEEL COTTER PIN 1/8" X 1 1/2"	4
82	21265	BAFFLE (C-CAST)	1
83	PL68850	BAFFLE DEFLECTOR	1

#	Item	Description	Qty
84	30060	THREAD-CUTTING SCREW 1/4-20 X 1/2" F HEX STEEL SLOT WASHER C102 ZINC	4
85	VA15FL06	PAINTED BLACK "CROWN" STYLE FACEPLATE	1
86	AC01378	WARM AIR CIRCULATION GRILLE - MODERN STYLE	1
87	30540	HOT AIR GRAVITY DISTRIBUTION KIT GRILL	1
88	60380	ELECTRIC WIRE DOUBLE BLACK SEW2 200°C 18 AWG 4" ET 35 "	1
89	60381	ELECTRIC WIRE WHITE TEW 105°C 18 AWG 6"	1
90	60379	ELECTRIC WIRE DOUBLE BLACK SEW2 200°C 18 AWG 16" ET 35 "	1
91	60374	ELECTRIC WIRE WHITE SEW2 200°C 18 AWG 46"	3
92	60375	ELECTRIC WIRE WHITE TEW 105°C 18 AWG 12.5"	1
93	60376	ELECTRIC WIRE WHITE TEW 105°C 18 AWG 12.5"	1
94	60377	ELECTRIC WIRE DOUBLE WHITE TEW 105°C 18 AWG 6" ET 6"	1
95	60378	ELECTRIC WIRE DOUBLE BLACK TEW 105°C 18 AWG 6" ET 6"	1
96	60278	ELECTRIC WIRE BLACK TEW 105°C 18 AWG 6"	1
97	60291	ELECTRIC WIRE BLACK SEW2 200°C 18 AWG 12"	2