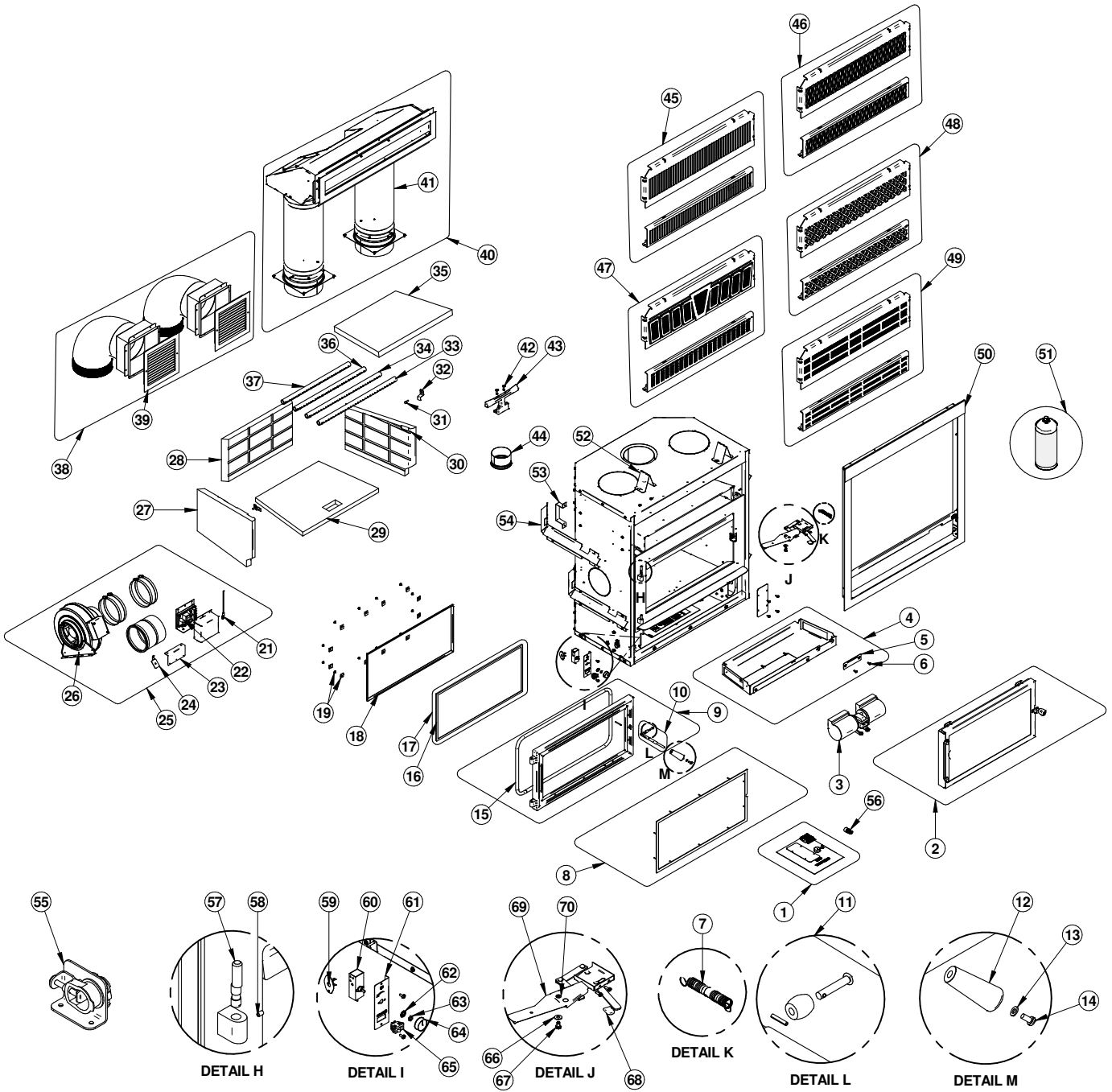


APPENDIX 11: EXPLODED DIAGRAM AND PARTS LIST



#	Item	Description	Qty
1	SE46161	FP10RS INSTRUCTION MANUAL KIT	1
2	AC01275	FIRE SCREEN DOOR	1
3	44122	DOUBLE CAGE BLOWER 176 CFM (CLASS H)	1
4	SE72023	AIR CONTROL HOUSING ASSEMBLY	1
5	PL72053	AIR INTAKE CLOSING PLATE	1
6	30154	BLACK SCREW #10 X 5/8" QUADREX #2 TYPE A	2
7	30472	SPRING 1/2" OUTSIDE Ø X 3"L	1
8	VA10RES07	BLACK DOOR OVERLAY	1
8	VA10RES40	BRUSHED NICKEL DOOR OVERLAY	1
9	SE24334	FP10RS DOOR ASSEMBLY	1
10	SE72135	REPLACEMENT HANDLE WITH LATCH KIT	1
11	AC09185	DOOR LATCH KIT	1
12	30898	ROUND WOODEN BLACK HANDLE DULL BLACK FINISH	1
13	30187	STAINLESS WASHER ID 17/64" X OD 1/2"	1
14	30025	1/4-20 X 1/2" PAN-HEAD QUADREX BLACK SCREW	1
15	AC06500	SILICONE AND 5/8" X 8' BLACK DOOR GASKET KIT	1
16	SE72313	GLASS WITH GASKET 24 7/8" X 11 3/4"	1
17	AC06400	3/4" (FLAT) X 6' BLACK SELF-ADHESIVE GLASS GASKET	1
18	PL72314	GLASS FRAME	1
19	SE53585	GLASS RETAINER KIT WITH SCREWS (12 PER KIT)	1
21	SE44095	THERMISTOR ASSEMBLY	1
22	44125	FORCED AIR DISTRIBUTION KIT PC BOARD	1
23	PL72165	ELECTRONIC BOARD SUPPORT	1
24	PL72296	THERMISTOR SUPPORT	1
25	AC01374	FORCED AIR DISTRIBUTION KIT 300 CFM	1
26	44142	BLOWER 6" 300 CFM	1
27	22139	LEFT REFRACTORY SLAB	1
28	22138	REAR REFRACTORY SLAB	1
29	22137	FLOOR REFRACTORY	1
30	22140	RIGHT REFRACTORY SLAB	1
31	30094	HEX SCREW WASHER HEAD 1/4-20 X 3/4" F ZINC TYPE	2
32	PL72040	REFRACTORY PANEL BRACKET	2
33	PL72049	FRONT SECONDARY AIR TUBE	1
34	PL72048	CENTER FRONT SECONDARY AIR TUBE	1
35	21578	C-CAST BAFFLE	1
36	PL72047	CENTER BACK SECONDARY AIR TUBE	1
37	PL72046	BACK SECONDARY AIR TUBE	1

#	Item	Description	Qty
38	AC01375	HOT AIR GRAVITY DISTRIBUTION KIT - TRADITIONAL	1
39	30540	HOT AIR GRAVITY DISTRIBUTION KIT GRILL	2
40	AC01389	HOT AIR GRAVITY DISTRIBUTION KIT - MODERN WITH ADJUSTABLE PIPES	1
41	SE66646	GRAVITY PIPE EXTENTION KIT 8" (UNPAINTED)	1
42	30506	SCREW PAN TORX TYPE F 1/4-20 X 1" BLACK	2
43	SE24166	PAINTED CAST IRON ANDIRON FOR FIREPLACE	1
44	PL63954	4" ADAPTOR	1
45	VA10LS03	URBAIN STYLE FACEPLATE LOUVER	1
46	VA10LS01	CLASSIC STYLE FACEPLATE LOUVER	1
47	VA10LS05	CROWN STYLE FACEPLATE LOUVER	1
48	VA10LS02	ARABESQUE STYLE FACEPLATE LOUVER	1
49	VA10LS04	MISSION STYLE FACEPLATE LOUVER	1
50	VA10FS06	BLACK SQUARE FACEPLATE	1
51	AC05959	METALLIC BLACK STOVE PAINT - 342 g (12oz) AEROSOL	1
52	PL72177	TOP STANDOFF	2
53	PL53065	REAR STANDOFF	2
54	PL72161	CONVECTION JACKET SPACER	4
55	SE59956	SQUEEZE CONNECTOR ASSEMBLY	1
56	44077	WIRE CONNECTOR WITH WINGS YELLOW 18-10 AWG	2
57	30586	HINGE PIN	2
58	30117	SOCKET SET SCREW #10-32 X 1/4"	2
59	44028	CERAMIC THERMODISC F110-20F	1
60	44084	RHEOSTAT WITHOUT NUT AND FLAT WASHER	1
61	PL72164	BLOWER CONTROL PANEL	1
62	44203	RHEOSTAT WASHER	1
63	44202	RHEOSTAT NUT	1
64	44085	RHEOSTAT KNOB	1
65	44091	ROCKER SWITCH 2 POSITION MSR-8	1
66	30206	ZINC WASHER 5/16"ID X 3/4"OD	1
67	30060	THREAD-CUTTING SCREW 1/4-20 X 1/2" F HEX STEEL SLOT WASHER C102 ZINC	1
68	30556	AIR CONTROL FINISHING TIP	1
69	PL72274	PRIMARY AIR CONTROLE SLIDER PLATE	1
70	30187	STAINLESS WASHER ID 17/64" X OD 1/2"	2