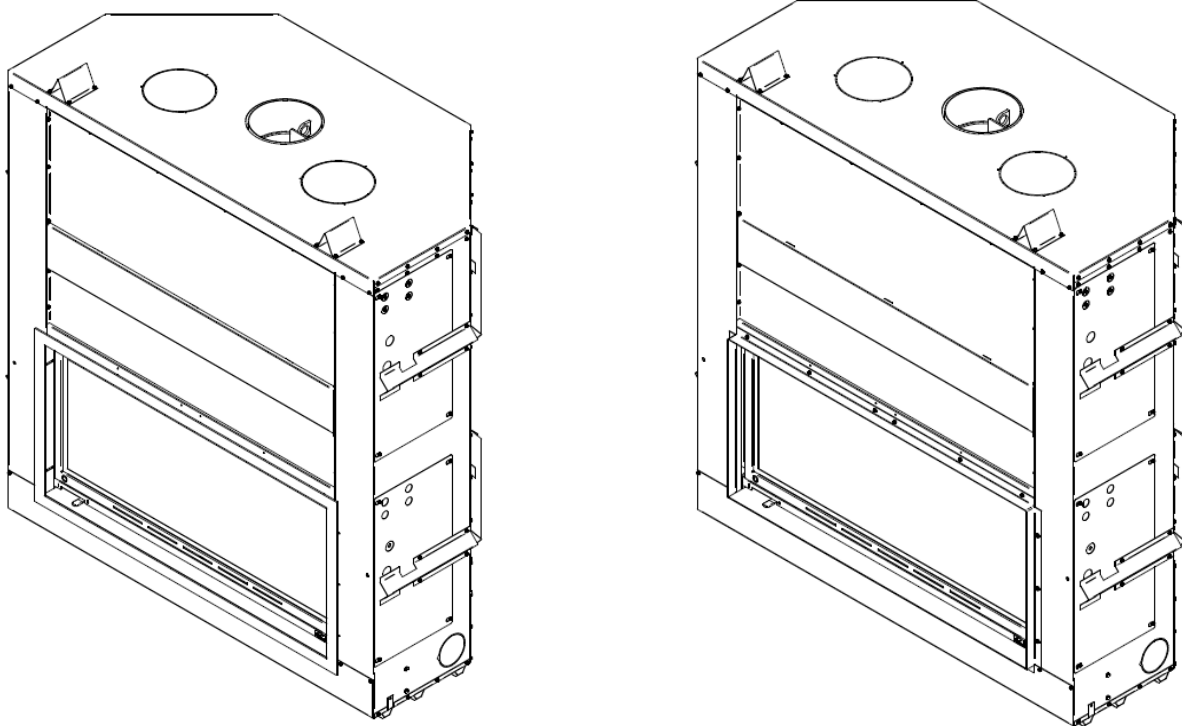




Manuel d'installation et d'utilisation
FP16D SAINT-LAURENT

Installation and Operation Manual



Safety tested according to ULC-S610
and UL 127 Standards by an accredited laboratory

www.valcourtinc.com

Manufactured by:

Stove Builder International Inc.

250 rue Copenhagen, Saint-Augustin-de-Desmaures (Quebec), Canada, G3A 2H3

Technical services: 1-877-356-6663

E-mail: tech@sbi-international.com



This manual is available for free download on the manufacturer's web site. It is a copyrighted document. Re-sale is strictly prohibited. The manufacturer may update this manual from time to time and cannot be responsible for problems, injuries, or damages arising out of the use of information contained in any manual obtained from unauthorized sources.

THANK YOU FOR CHOOSING THIS VALCOURT FIREPLACE

As one of North America's largest and most respected wood stove and fireplace manufacturers, VALCOURT takes pride in the quality and performance of all its products. We want to help you get maximum satisfaction as you use this product.

In the following pages, you will find general advice on wood heating, detailed instructions for safe and effective installation, and guidance on how to get the best performance from this fireplace as you build and maintain fires, and maintain your wood heating system.

We recommend that our woodburning hearth products be installed and serviced by professionals who are certified by a "Qualified Agency" such as NFI (National Fireplace Institute®) or CSIA (Chimney Safety Institute of America) in the United States, in Canada by WETT (Wood Energy Technical Training) or in Quebec by APC (Association des Professionnels du Chauffage).

Congratulations on making a wise purchase.

Read this entire manual before you install and use your new fireplace. It is important that you follow the installation guidelines exactly. Failure to install this fireplace correctly could result in a house fire, bodily injury or even death.

You may need to obtain a building permit for the installation of this fireplace and the chimney that it is connected to. Consult your municipal building or fire department about installation requirements in your area. We recommend that you also inform your home insurance company to find out if the installation will affect your policy.

PLEASE NOTE THAT THE ILLUSTRATIONS SHOWN IN THIS MANUAL ARE GENERIC AND MAY NOT MATCH EXACTLY THE LOOK OF THIS FIREPLACE.

CAUTION

- **THE INFORMATION GIVEN ON THE CERTIFICATION LABEL AFFIXED TO THE APPLIANCE ALWAYS OVERRIDES THE INFORMATION PUBLISHED IN ANY OTHER MEDIA (OWNER'S MANUAL, CATALOGUES, FLYERS, MAGAZINES AND/OR WEB SITES).**
- **MIXING OF APPLIANCE COMPONENTS FROM DIFFERENT SOURCES OR MODIFYING COMPONENTS IS PROHIBITED AND WILL VOID THE WARRANTY. ANY MODIFICATION OF THE FIREPLACE THAT HAS NOT BEEN APPROVED IN WRITING BY THE TESTING AUTHORITY IS PROHIBITED AND VIOLATES CSA B365 (CANADA) AND NFPA 211 (USA).**
- **STOVE BUILDER INTERNATIONAL INC. (SBI) GRANTS NO WARRANTY, IMPLIED OR STATED, FOR THE POOR INSTALLATION OR LACK OF MAINTENANCE OF YOUR FIREPLACE AND ASSUMES NO RESPONSIBILITY OF ANY CONSEQUENTIAL DAMAGES.**



CAUTION

BEFORE CLOSING THE WALLS, MAKE SURE THAT THE AIR CONTROL MECHANISM, THE FLUE DAMPER AND DOORS MECHANISM WORK PROPERLY. ALSO MAKE SURE THE DOORSTOP PIN IS REMOVED (SEE DETAIL A).

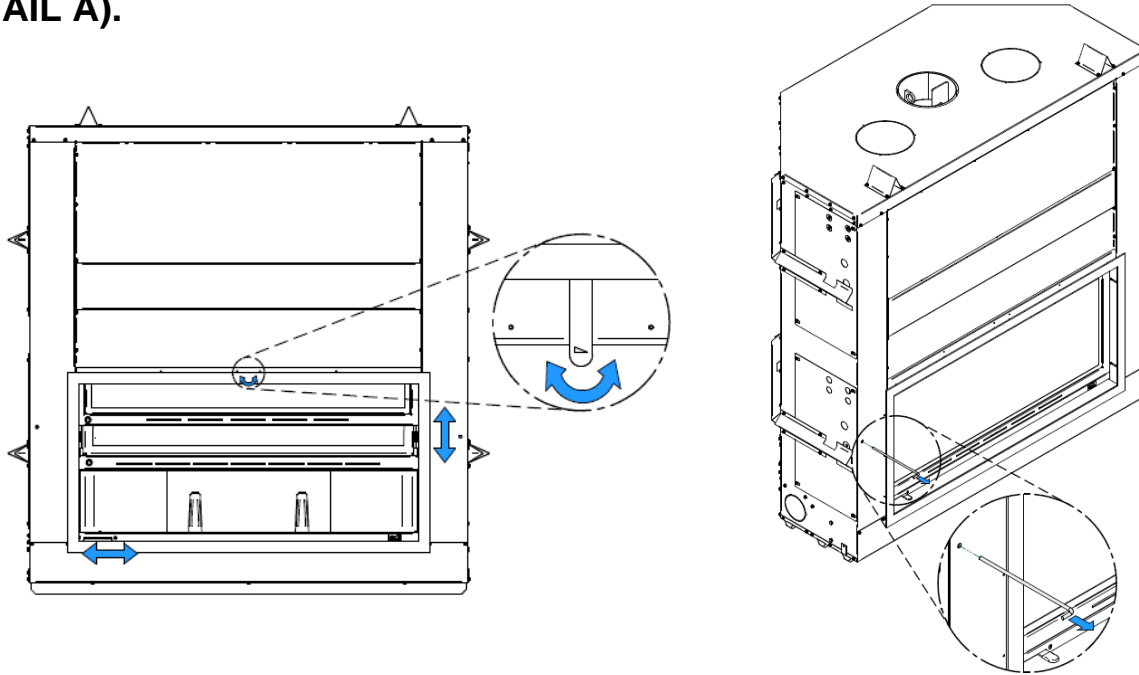


TABLE OF CONTENTS

- 1. PART A – INSTALLATION 6**
 - 1.1 Safety Information 6**
 - 1.1.1 Regulations Covering Fireplace Installation 8
 - 1.2 General Information 8**
 - 1.2.1 FP16D – Saint-Laurent Wood Fireplace Specifications..... 8
 - 1.2.2 Measurements..... 9
 - 1.3 Fireplace Installation..... 12**
 - 1.3.1 Safety Pin 12
 - 1.3.2 Installation of Standoff 12
 - 1.3.3 Transportation Packaging 13
 - 1.3.4 Locating the FP16D – Saint-Laurent Wood Fireplace 13
 - 1.3.5 Clearances to combustible materials 13
 - 1.3.6 Raised base installation of more than 4" (R value for the hearth extension not required)..... 14
 - 1.3.7 Raised base installation of 4" (R value for the hearth extension not required) 16
 - 1.3.8 Directly on the floor (R value for the hearth extension not required) 17
 - 1.3.8.1 *R-Value Calculations* 18
 - 1.3.9 Minimum Hearth Extension Requirements..... 19
 - 1.3.10 Framing construction..... 19
 - 1.3.10.1 *Framing* 19
 - 1.3.10.2 *Framing when installing a fresh air intake kit*..... 21
 - 1.3.10.3 *Framing when installing in a corner* 23
 - 1.3.11 Facing 24
 - 1.3.12 Installation of a Combustible Mantel Shelf..... 25
 - 1.3.12.1 *Installing a television above a fireplace* 26
 - 1.3.12.2 *Facing* 26
 - 1.3.13 Fresh Air Intake Kit 27
 - 1.3.13.1 *Fresh air intake kit installation* 27
 - 1.3.14 Installation of a Gas Lighter 30
 - 1.3.15 Installation of a gas log set 30
 - 1.3.16 Face plate installation (Sold separately) 30
 - 1.3.16.1 *Straight Narrow overlap* 31
 - 1.3.16.2 *Masonry Trim* 32
 - 1.3.17 Moulded Refractory Brick Panels Installation 33
 - 1.3.18 Door Adjustment 35
 - 1.3.18.1 *Screen door*..... 35
 - 1.3.18.2 *Glass door*..... 35
 - 1.3.19 Access door for counterweight..... 36
 - 1.4 Venting System (Chimney and Chimney Connector)..... 36**
 - 1.4.1 General Information 36

1.4.2	Suitable Chimneys	36
1.4.3	Rafter protection	38
1.4.4	Chimney Installation Notes.....	39
1.5	Chimney Installation Instructions.....	41
1.5.1	Examples of Typical Chimney Installation	41
1.5.2	Offset installation	42
1.5.3	Installation Instructions	43
1.5.4	Offset Chimney Installation	44
1.5.5	Angled Wall Radiation Shield	44
1.5.5.1	<i>Universal Offset Support.....</i>	<i>45</i>
1.5.6	Universal Roof Support.....	45
1.5.7	Installation Instructions for Masonry Application.....	45
1.5.7.1	<i>Installation instructions</i>	<i>46</i>
2	PART B - OPERATION AND MAINTENANCE	47
2.1	Fuel.....	47
2.1.1	The Use of Manufactured Logs	47
2.2	Operating the FP16D SAINT-LAURENT Wood Fireplace	48
2.2.1	Opening the doors	48
2.2.2	First Fires	48
2.2.3	Building a Fire	49
2.2.4	Maintaining the Fire	49
2.2.5	Air Intake Control and Chimney Damper	49
2.2.6	Smoking – Causes and Troubleshooting	50
2.3	Maintaining Your FP16D – SAINT-LAURENT Wood Fireplace	51
2.3.1	Creosote – Formation and Need for Removal	51
2.3.2	Chimney Maintenance.....	51
2.3.3	Dealing With a Chimney Fire.....	52
2.3.4	Disposal of Ashes	52
2.3.5	Refractory Panel Replacement	52
2.3.6	Glass Replacement	52
2.3.6.1	<i>Replacement steps.....</i>	<i>53</i>
2.3.7	Replacing the Glass Gasket	54
2.3.8	Plated Finish Maintenance	55
2.3.9	Glass Care – Cleaning.....	55
	Appendix 1: Exploded Diagram and Parts List	56
	VALCOURT LIMITED LIFETIME WARRANTY	58

REGISTER YOUR WARRANTY ONLINE

To receive full warranty coverage, you will need to show evidence of the date you purchased your unit. Keep your sales invoice. We also recommend that you register your warranty online at <https://www.valcourtinc.com/en/warranty/warranty-registration/>. Registering your warranty online will help us track rapidly the information we need on your unit.

1. PART A – INSTALLATION

Install the fireplace only as described in this manual and using only components from the chimney manufacturers listed in **TABLE 4 (Page 37)**.

Components Required

- FP16D – Saint-Laurent Fireplace
- Straight narrow overlap faceplate or Straight masonry trim
- Insulated chimney made by the manufacturers listed in **TABLE 4 (Page 37)**, with the corresponding specifications:
 - Chimney lengths
 - Elbows (where necessary)
 - Associated components as per these installation instructions

Additional Equipment (optional)

- None

1.1 Safety Information

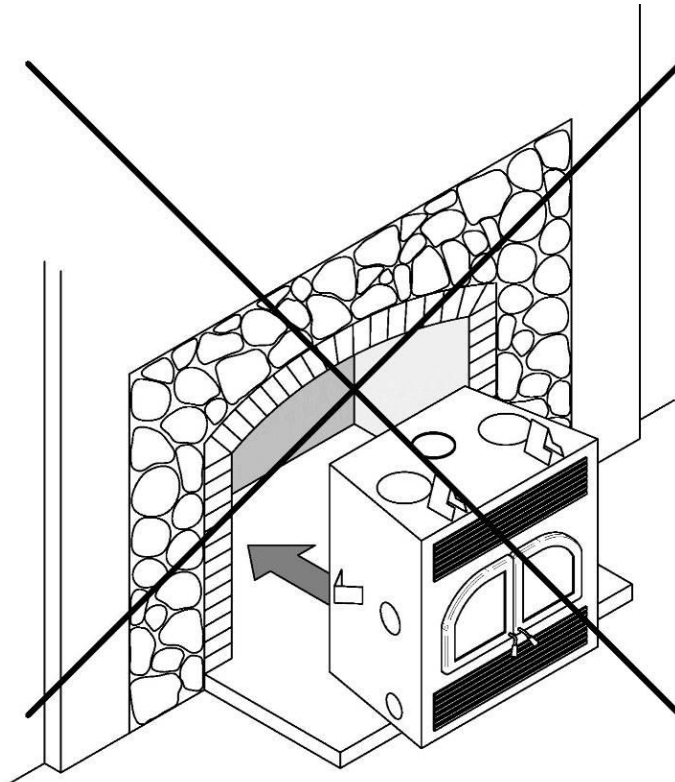
DANGER

- **NEVER USE GASOLINE, GASOLINE-TYPE LANTERN FUEL, KEROSENE, CHARCOAL LIGHTER FLUID OR SIMILAR LIQUIDS TO START OR “FRESHEN UP” A FIRE IN THIS FIREPLACE. KEEP ALL SUCH LIQUIDS WELL AWAY FROM THE FIREPLACE AT ALL TIMES.**
- **KEEP COMBUSTIBLE MATERIALS AT LEAST 48 INCHES AWAY FROM THE FRONT OF THE FIREPLACE OPENING.**
- **NEVER LEAVE CHILDREN UNATTENDED WHEN THERE IS A FIRE BURNING IN THE FIREPLACE.**
- **NEVER USE GRATE OR ELEVATE FIRE. BUILD WOOD FIRE DIRECTLY ON HEARTH.**
- **DO NOT USE A FIREPLACE INSERT AND OTHER PRODUCTS NOT SPECIFIED FOR USE WITH THIS FIREPLACE.**
- **DO NOT OBSTRUCT AIR INTLETS. THIS FIREPLACE NEEDS AIR FOR ITS GOOD OPERATION.**
- **FOR SAFETY REASONS, IT IS VERY IMPORTANT TO USE A NON-COMBUSTIBLE MATERIAL FOR THE SURROUND OF THE FIREPLACE. IN THAT CASE, A CEMENT-BOARD (DUROCK STYLE) IS MANDATORY. FAILING TO RESPECT THIS GUIDELINE MAY RESULT IN A FIRE. (SEE SECTION 1.3.11 - Facing)**
- **A PRIMARY ALTERNATIVE HEAT SOURCE SHOULD BE AVAILABLE IN THE HOME. THIS HEATING UNIT MAY SERVE AS A SUPPLEMENTARY HEAT SOURCE. THE MANUFACTURER CANNOT BE RESPONSIBLE FOR ADDITIONAL HEATING COSTS ASSOCIATED WITH THE USE OF AN ALTERNATIVE HEAT SOURCE. IT IS HIGHLY RECOMMENDED TO BUY THIS PRODUCT FROM A RETAILER WHO CAN PROVIDE INSTALLATION AND MAINTENANCE ADVICES.**
- **DO NOT CONNECT THIS UNIT TO A CHIMNEY FLUE SERVING ANOTHER APPLIANCE.**

- DO NOT INSTALL THIS FIREPLACE IN A MOBILE HOME.
- OPERATE ONLY WITH GLASS DOOR FULLY CLOSED OR FULLY OPEN WITH SCREEN DOOR ALWAYS CLOSED. IF DOOR IS LEFT PARTIALLY OPEN, GAS AND FLAME MAY BE DRAWN OUT OF THE OPENING, CREATING RISKS FROM BOTH FIRE AND SMOKE. NEVER LEAVE THE FIREPLACE UNATTENDED WHEN IN USE.

WARNING

- DO NOT USE MATERIAL OTHER THAN THOSE LISTED IN THE REPLACEMENT PARTS SECTION DURING INSTALLATION AS THEY MAY BE SAFETY HAZARDS AND A FIRE COULD RESULT.
- THIS FIREPLACE HAS BEEN TESTED FOR USE WITH OPEN DOOR IN CONJUNCTION WITH SCREEN DOOR ALWAYS CLOSED. THE SCREEN DOOR MAY BE OPENED ONLY DURING LIGHTING PROCEDURES OR RELOADING. ALWAYS CLOSE THE SCREEN DOOR AFTER IGNITION.
- THIS FIREPLACE HAS NOT BEEN TESTED TO BE INSTALLED INSIDE A MASONRY CHIMNEY.



WARNING: This product can expose you to chemicals including carbon monoxide, which is known to the State of California to cause cancer, birth defects or other reproductive harm. For more information go to www.P65warnings.ca.gov/

1.1.1 Regulations Covering Fireplace Installation

When installed and operated as described in this manual, the FP16D Saint-Laurent wood fireplace is suitable for use as a fireplace appliance in residential installations.

In Canada, the CSA B365 Installation Code for Solid Fuel Burning Appliances and Equipment and the CSA C22.1 Canadian National Electrical Code are to be followed in the absence of local code requirements. In the USA, the NFPA 211 Standard for Chimneys, Fireplaces, Vents and Solid Fuel-Burning Appliances and the ANSI NFPA 70 National Electrical Code are to be followed in the absence of local code requirements.

PLEASE NOTE

The Fireplace is not approved for use with a so-called “positive flue connection” to the clay tile of a masonry chimney.

1.2 General Information

1.2.1 FP16D – Saint-Laurent Wood Fireplace Specifications

Table 1: FP16D - Saint-Laurent Specifications

Fuel Type	Dry cordwood
Test Standards (safety)	ULC-S610 and UL 127
Recommended Heating Area	< 1,000 sq. ft. (< 93 m ²)
Minimum burn rate	> 5 kg/h (> 11 lb/h)
Shipping Weight	765 lb (347 kg)
Firebox Volume	6.4 cu.ft.
Maximum Log Length	30" east-west
Flue Outlet Diameter	8" (203 mm) diameter
Mobile home approved	No

1.2.2 Measurements

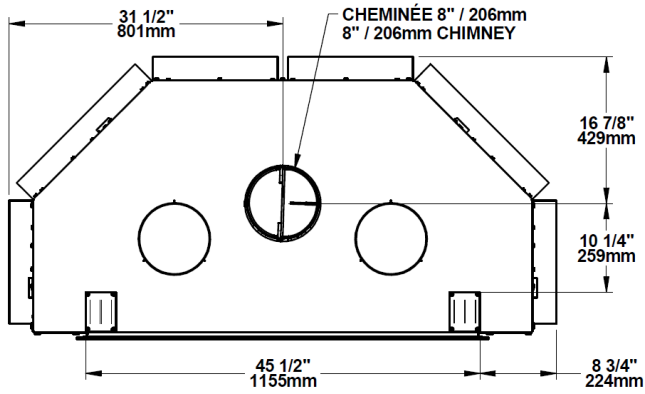


Figure 1 : Top View

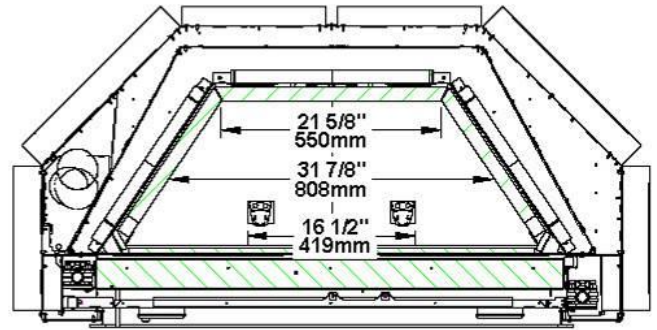


Figure 2 : Combustion chamber

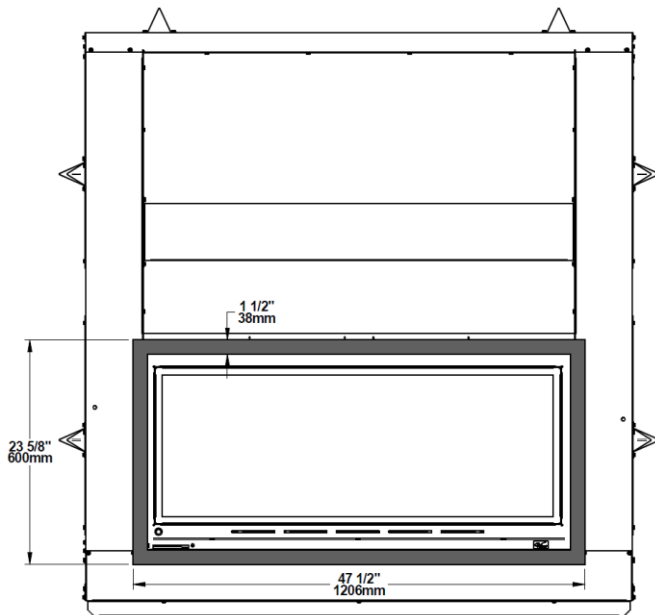


Figure 3 : Straight narrow overlap faceplate

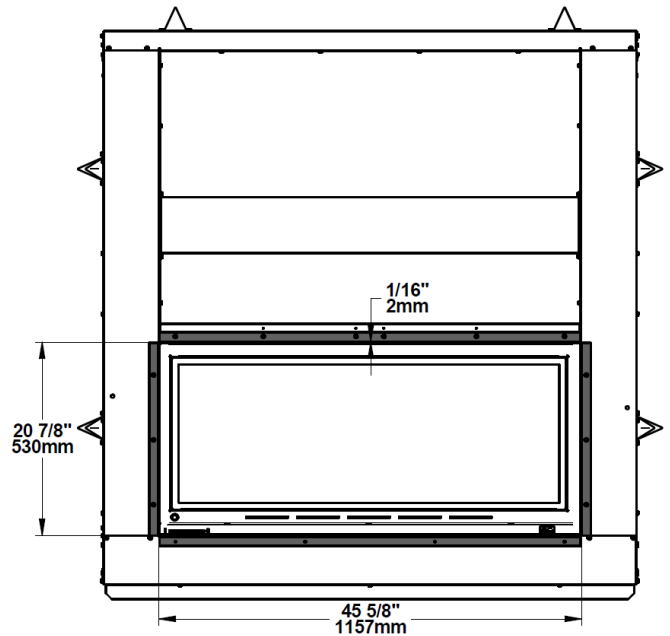


Figure 4 : Straight masonry trim

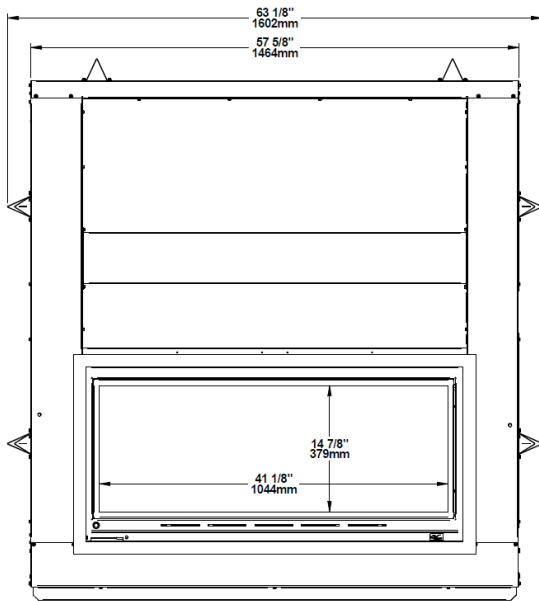


Figure 5 : Glass surface

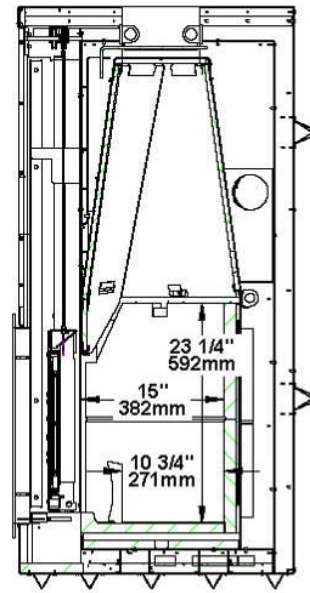


Figure 6 : Combustion chamber

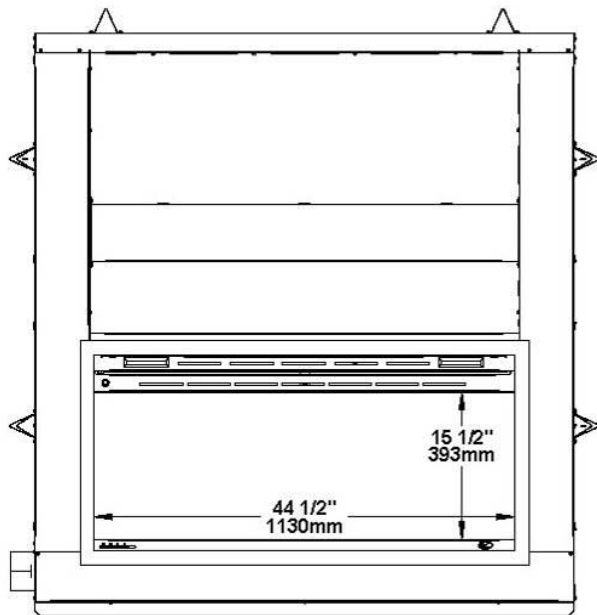


Figure 7 : Door Opening
Straight narrow overlap faceplate

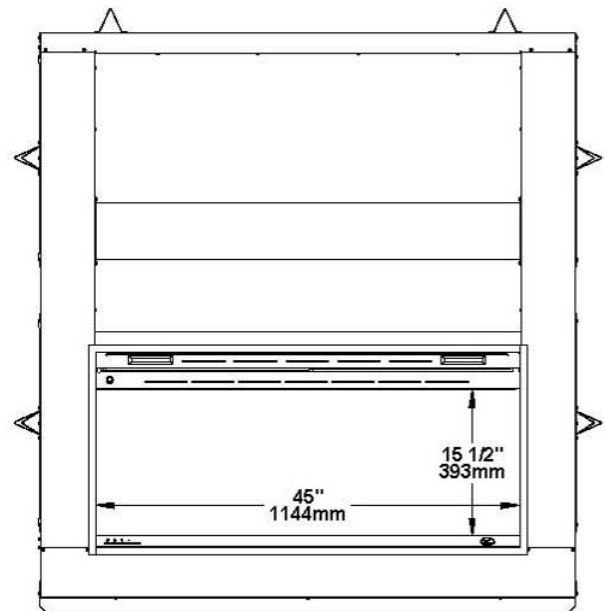


Figure 8 : Door Opening
Straight masonry trim

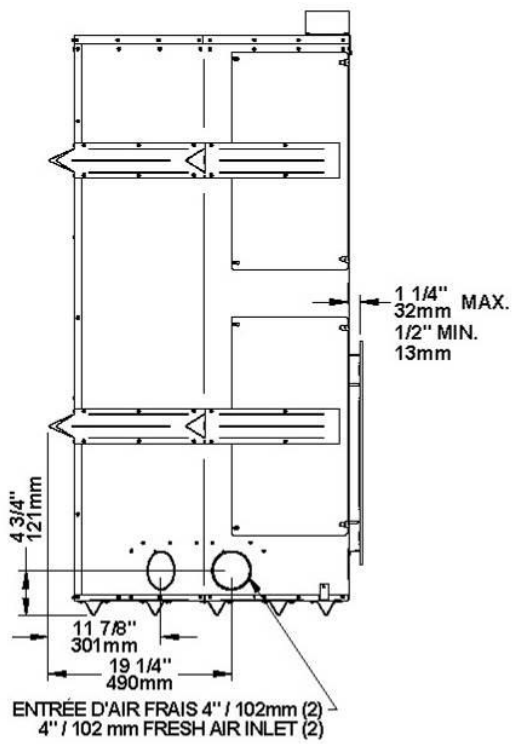


Figure 9 : Left side
Straight narrow overlap faceplate

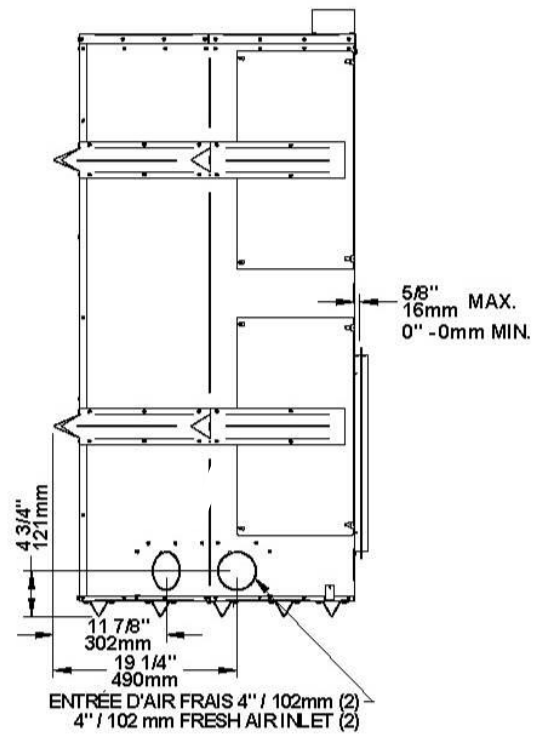


Figure 10 : Left Side
Straight masonry trim

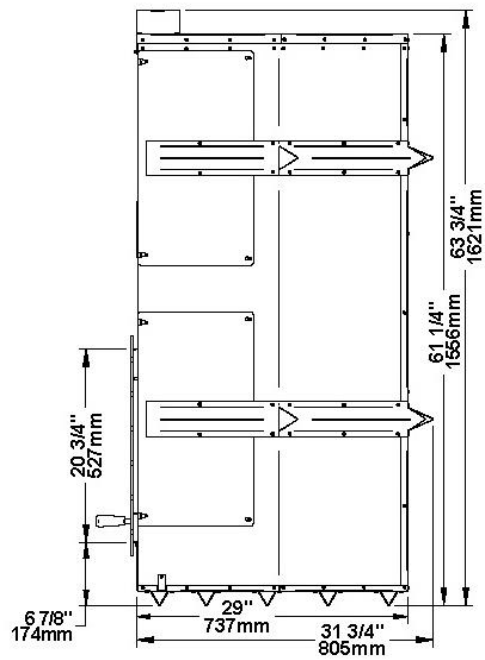


Figure 11 : Right side

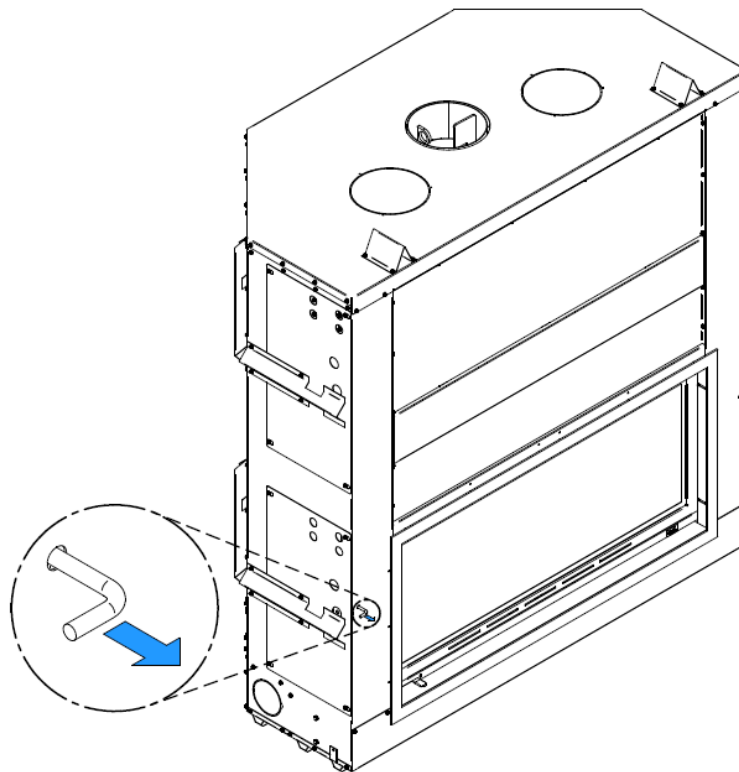
1.3 Fireplace Installation

CAUTION

BEFORE CLOSING THE WALLS, MAKE SURE THAT THE AIR CONTROL MECHANISM, THE FLUE DAMPER AND THE DOOR MECHANISM WORK PROPERLY. SEE SECTION 2.2.5 - Air Intake Control and Chimney Damper FOR THEIR LOCATION ON THE FIREPLACE. ALSO SEE SECTION 1.3.19 - Access door for counterweight.

1.3.1 Safety Pin

Remove the counterweight safety pin (**Detail A**) before installing the unit in its final place by pulling on it. The pin is located on the left side of the unit.



1.3.2 Installation of Standoff

Before installing the fireplace, two standoffs must be secured to the top of the appliance. These parts are required to maintain proper clearances to combustible materials. You will find the standoffs in the firebox and the screws in the owner's manual kit. Align the holes of the spacers (**A**) with the pre-drilled holes on top of the fireplace and secure them with the 8 screws provided (**B**), as shown.

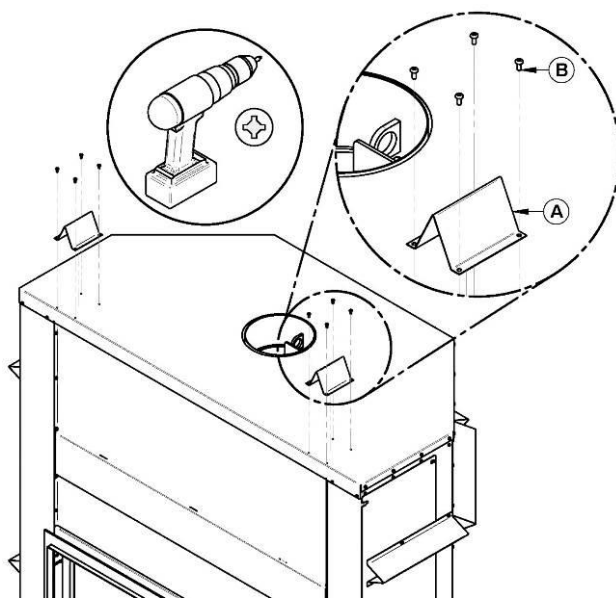


Figure 12 : Installation of spacers

1.3.3 Transportation Packaging

To facilitate transportation of the FP16D fireplace before installation, we have designed a transportation packaging that allows reducing the weight. The fireplace refractory panels are in a box you can carry separately. We suggest you install the refractory panels after the setting up of the fireplace. To install the refractory panels, see Section **1.3.17 - Moulded Refractory Brick Panels Installation**.

1.3.4 Locating the FP16D – Saint-Laurent Wood Fireplace

The best location to install your fireplace is determined by considering the location of windows, doors and the traffic flow in the room. Figure some space in front of the unit for the hearth extension and the mantel, the location of the heat distribution systems, the fresh air intake kit and the chimney. If possible, choose a location where the vent will not interfere with any truss, roof beams, wall studs, water pipes or electrical wiring. It may be easier to relocate the fireplace than to rework the building structure. Also choose a location that allows installing the least amount of offsets in the chimney.

Usually, no additional floor support is needed for the fireplace. The adequacy of the floor can be checked by first estimating the weight of the fireplace system. Weights are given in the section **1.2.1 - FP16D – Saint-Laurent Wood Fireplace Specifications**. Next, measure the area occupied by the fireplace which is normally 62 5/8" x 31 3/4" (157.5 cm x 78.7 cm). Note the floor construction and consult your local building code to determine if additional support is needed.

WARNING

THE FIREPLACE MUST BE INSTALLED ON A LEVEL AND STRAIGHT (NOT UNEVEN) SURFACE.

1.3.5 Clearances to combustible materials

The clearances shown in this section have been determined by tests according to procedures set out in safety standards ULC-S610 (Canada), UL 127 (USA). When the fireplace is installed so that its surfaces are at, or beyond, the minimum clearances specified, combustible surfaces will not overheat under normal and even abnormal operating conditions.

WARNING

NO PART OF THE FIREPLACE MAY BE LOCATED CLOSER TO COMBUSTIBLES THAN THE MINIMUM CLEARANCES REQUIRED SPECIFIED ON THE CERTIFICATION LABEL.

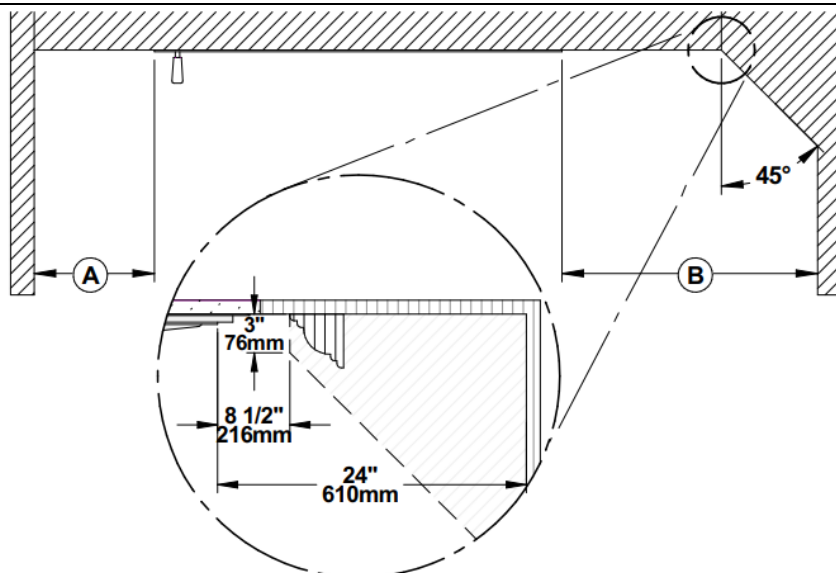


Figure 13: Clearances to combustible materials

Table 2 : Clearances to combustible materials

CLEARANCES*	
A	8 1/2" (216 mm) minimum
B	24" (610 mm) minimum

* Measurements are from the door opening.

Wall in front of fireplace: 48"

Ceiling: 84" (2.13 m) measured from the base of the fireplace

Fireplace enclosure:

- **Back:** 0"
- **Sides:** 0"
- **Floor (under the fireplace):** 0"

1.3.6 Raised base installation of more than 4" (R value for the hearth extension not required)

The FP16D – Saint-Laurent fireplace may be installed directly on the floor or on a raised combustible or non-combustible base.

However, the upper and lower angle, for the full width of the floor protection, must be protected 2" horizontally and 2" vertically (**E**) by a piece of sheet metal (not included). (See **Figure 14 : Raised base installation of more than 4"**). For example, a piece of sheet metal (not included). Apart from these two corners, the sheet metal does not have to cover the rest of the wall between the base of the fireplace and the floor.

Note that the non-combustible hearth extension floor area must extend at least 20" (51 cm) in front of the hearth as shown in section **1.3.9 - Minimum Hearth Extension Requirements**.

WARNING

THE 84" CLEARANCE BETWEEN THE FIREPLACE BASE AND THE CEILING (A) MUST BE RESPECTED.

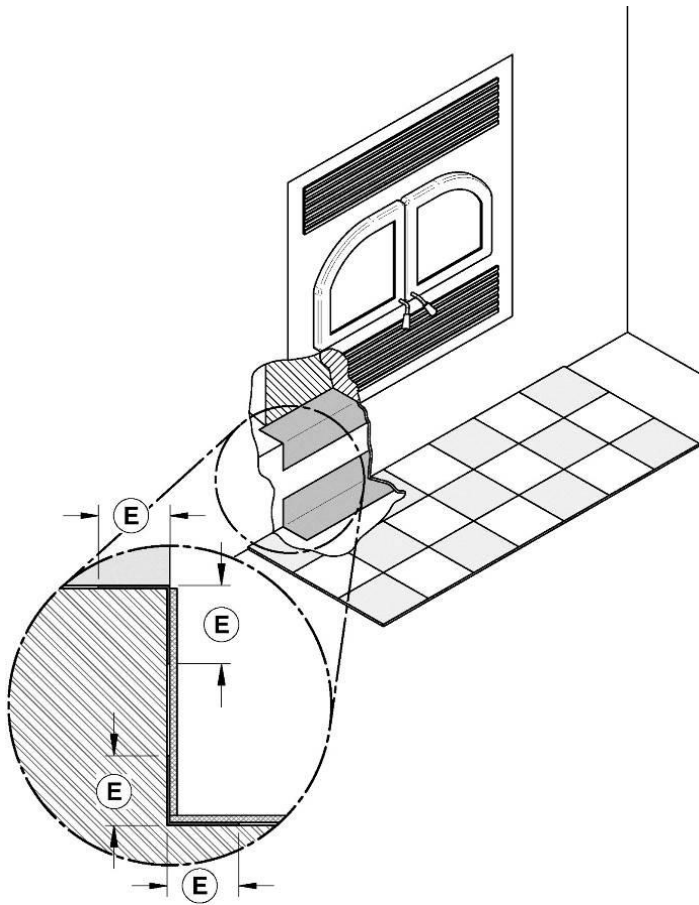


Figure 14 : Raised base installation of more than 4"

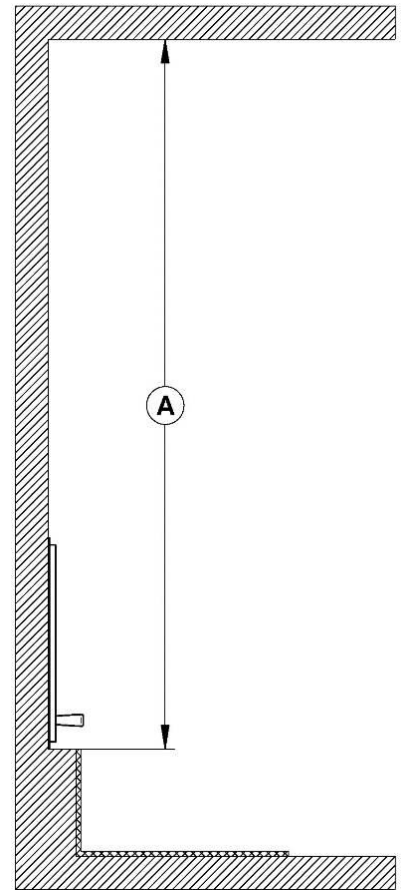


Figure 15 : Ceiling clearance

	CLEARANCE	MINIMUM MEASUREMENTS	
A	84" (2,13m) minimum	E	2" (51 mm)

1.3.7 Raised base installation of 4" (R value for the hearth extension not required)

In the case where **(F)** would be equal to 4", it is suggested that the sheet metal between the base of the fireplace and floor be in one piece. See **Figure 16 : Raised base installation of 4"**.

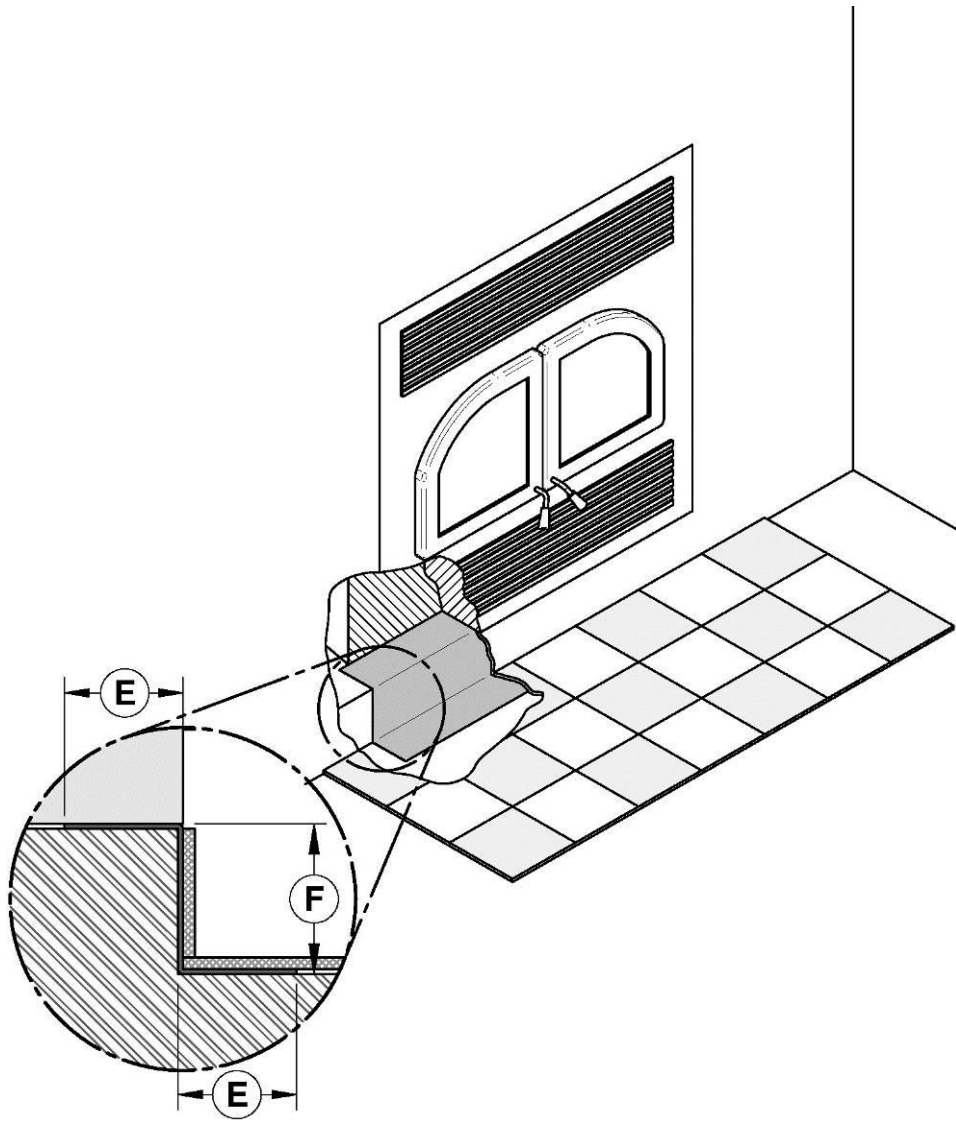


Figure 16 : Raised base installation of 4"

1.3.8 Directly on the floor (R value for the hearth extension not required)

In the case where the fireplace is installed directly on the floor the joint between the hearth extension and the fireplace (**E**) must also be protected by a non-combustible material. For example, a piece of sheet metal (not included). See **Figure 17 : Installation Directly on the floor**.

CAUTION

- THE FLOOR UNDER THE FIREPLACE SHOULD MATCH OR EXCEED THE HEIGHT OF THE FLOOR PROTECTION.

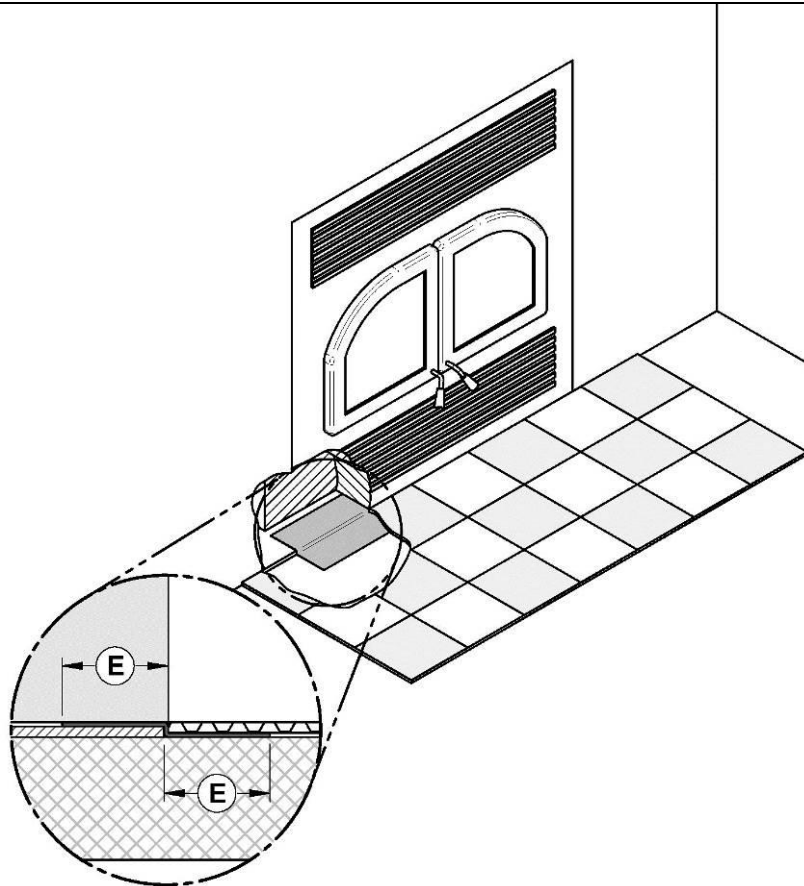


Figure 17 : Installation Directly on the floor

	MINIMUM MEASUREMENT
E	2" (51 mm)

A noncombustible floor protection must be installed in front of the unit. For more details, see **section 1.3.9 - Minimum Hearth Extension Requirements**. The use of an R value is convenient when more than one material is going to be used in the hearth extension to cover the combustible surface. This is because R values are additive, whereas K values are not. To find the corresponding R factor to use for some selected materials, see **Table 3 : Thermal Characteristics of Common Floor Protection Materials***.

CAUTION

DO NOT LEAVE CARPET UNDER THE FLOOR PROTECTION IN FRONT OF THE FIREPLACE.

1.3.8.1 R-Value Calculations

Note: No R factor is needed for the installation of the FP16D. This section is for information purposes only.

There are two ways to calculate the R factor of the floor protection. First, by adding the R-values of the proposed materials or if some K and thickness values are given, by converting them to R values.

To calculate the R factor for a composite floor protection made of a combination of alternative materials, simply add the R-values of those materials. If the result is equal to or larger than the required R value, the combination is acceptable. For R-values of some selected materials, see Table 3 : Thermal Characteristics of Common Floor Protection Materials*.

Example: If the required floor protection R is equal or higher than 1.00. Proposed materials: four inches of brick and one inch of Durock® board:

Four inches of brick ($R = 4 \times 0.2 = 0.8$) + 1 inch of Durock® ($R = 1 \times 0.52 = 0.52$). $0.8 + 0.52 = 1.32$

This R value is larger than the required 1.00 and is therefore **acceptable**.

In the case of a known K and thickness of alternative materials to be used in combination, convert all K values to R by dividing the thickness of each material by its K value. Add the R values of your proposed materials as shown in the previous example.

In the previous example: Four inches of brick ($K = 4/5 = 0.8$) + 1 inch of Durock® ($R = 1 / 1.92 = 0.52$). $0,8 + 0,52 = 1,32$.

Table 3 : Thermal Characteristics of Common Floor Protection Materials*

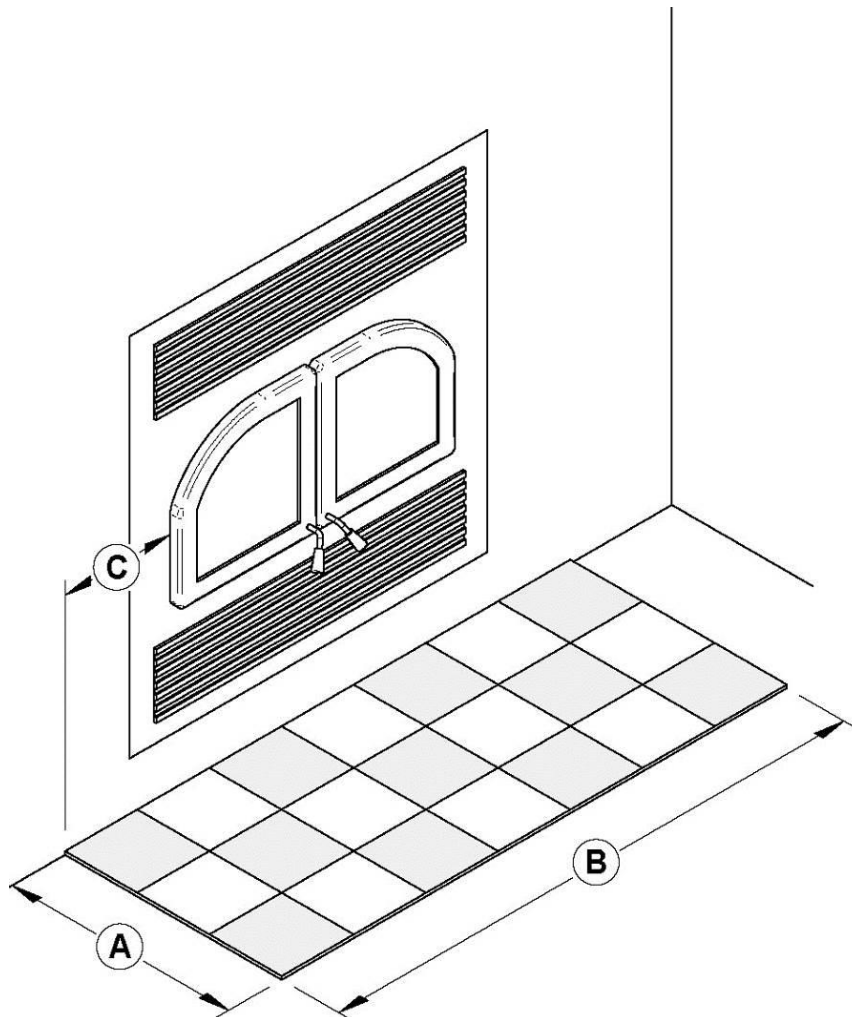
MATERIAL	CONDUCTIVITY (k) PER INCH	RESISTANCE (R) PER INCH THICKNESS
Micore® 160	0.39	2.54
Micore® 300	0.49	2.06
Durock®	1.92	0.52
Hardibacker®	1.95	0.51
Hardibacker® 500	2.3	0.44
Wonderboard®	3.23	0.31
Cement mortar	5.00	0.2
Common brick	5.00	0.2
Face brick	9.00	0.11
Marble	14.3 – 20.00	0.07 – 0.05
Ceramic tile	12.5	0.008
Concrete	1.050	0.950
Mineral wool insulation	0.320	3.120
Limestone	6.5	0.153
Ceramic board (Fibremax)	0.450	2.2
Horizontal still air** (1/8")	0.135	0,920**

* Information as reported by manufacturers and other resources.

** For a 1/8" thickness. You cannot «stack» horizontal still air to accumulate R-values; you must separate each layer of horizontal still air with another non-combustible material.

1.3.9 Minimum Hearth Extension Requirements

The hearth extension floor area must extend at least 20" (51 cm) in front of the hearth **(A)** and at least 12" (31 cm) on each side of the door opening **(C)**. The joint between the hearth extension and the fireplace hearth needs to be made of non-combustible material such as sheet metal (not included).



	CLEARANCES
A	20" (51 cm)
B	69" (175 cm)
C	12" (30.4 cm)

Figure 18 : Hearth Extension Dimension

1.3.10 Framing construction

1.3.10.1 Framing

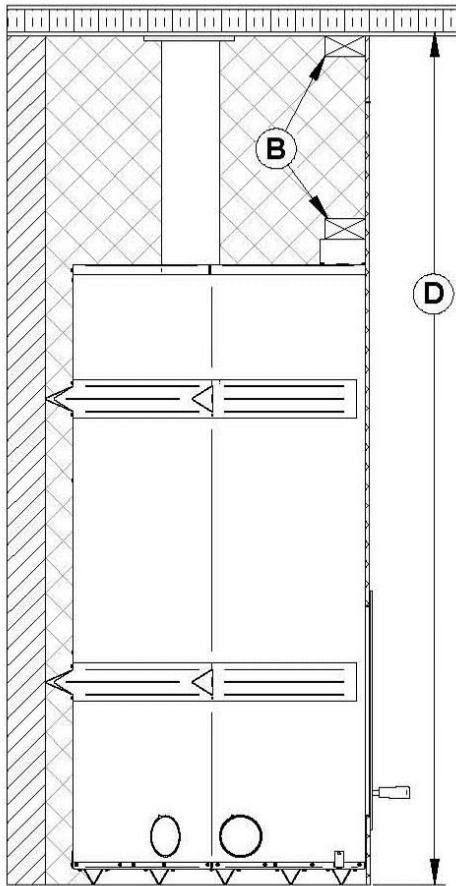
The construction of the framing, facing, and mantel must be in accordance with the standards and the following illustrations:

Frame the fireplace using 2" x 3" (5 cm x 8 cm) or heavier lumber. Frame the fireplace with vertical studs on each side of the fireplace running from floor to ceiling. Position the studs back from the front edge of the fireplace, leaving a space the thickness of the facing material so that the facing can be installed flush with the fireplace facing within limitations of figures and tables below. Frame headers between the vertical studs only as follows:

- Place 2" x 3" (5 cm x 8 cm) or 2" x 4" (5 cm x 10 cm) headers, only along the upper part of the front, side and back faces. Do not put wood or any combustible material within the area above the fireplace.
- Place headers only as required to support the facing and mantel.

WARNING

- DO NOT PACK REQUIRED AIR SPACES WITH INSULATION OR OTHER MATERIAL.
- THE FIREPLACE MUST NOT BE IN CONTACT WITH ANY INSULATION OR LOOSE FILLING MATERIAL. COVER THE INSULATION WITH DRYWALL PANELS AROUND THE FIREPLACE.
- COMBUSTIBLE FRAMING MATERIAL CANNOT BE USED IN THE SPACE DIRECTLY ABOVE THE FIREPLACE. THIS AREA MUST REMAIN EMPTY FOR A HEIGHT OF 84" (2.13 M) MEASURED FROM THE BASE OF THE FIREPLACE. (SEE Figure 19 : Framing)



B	NON-COMBUSTIBLE FRAMING (STEEL STUDS REQUIRED)
----------	--

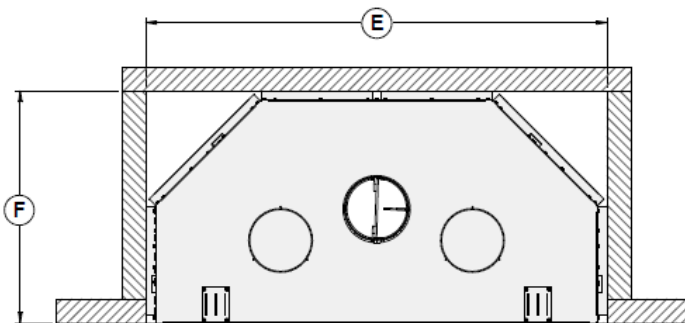
CLEARANCES	
D	84" (2.13m)



This area must remain empty

Refer to the building code or the local code for regulations concerning the need to install finishing material inside the chase around the fireplace.

Figure 19 : Framing



MEASUREMENTS	
E	63 1/16" (160,2 cm)
F	31 11/16" (80,5 cm)

Figure 20 : Framing

1.3.10.2 Framing when installing a fresh air intake kit

See **1.3.12.1 - Installing a television above a fireplace**

Installing a television above a fireplace has become increasingly popular; however, the area above any fireplace gets hot and most TV manufacturers recommend against placing their products near a heat source. If you install a television above this fireplace, SBI accepts no responsibility for damage or injuries. Follow the television manufacturer's installation instructions, including any recommendations regarding proximity to heat or smoke sources. If you have a TV above your fireplace, turn off the fireplace and let it cool completely before servicing or touching any buttons on the TV.

1.3.10.3 Facing

CAUTION: BEFORE CLOSING THE WALLS, MAKE SURE THAT THE AIR CONTROL MECHANISM, THE FLUE DAMPER AND DOORS MECHANISM WORK PROPERLY.

CAUTION: IF YOU ARE TO INSTALL A MASONRY TRIM, IT MUST BE SECURED TO THE FIREPLACE BEFORE APPLYING THE FINISHING MATERIAL (See section 1.3.10.1 Framing).

1. Materials directly in contact with the faceplate of the fireplace, especially the vertical and horizontal surround, must be non-combustible and have the minimal dimensions as shown on **Figures 13, 24 and 25**.
2. Non-combustible materials such as brick, stone or ceramic tile may project in front of and onto the fireplace decorative frame.

CAUTION: MATERIALS MUST BE INSTALLED SO THAT THE FACEPLATE MAY BE REMOVED AFTER THE INSTALLATION. THE FACEPLATE IS DESIGNED TO OVERLAP THE MATERIAL SURROUNDING THE FIREPLACE. IF THE MATERIAL IS THICKER, USE A FACEPLATE GAUGE FOR POSITIONING AND MAKE SURE THAT THE FACEPLATE CAN BE REMOVED AFTER IT HAS BEEN INSTALLED (PLEASE DISMISS IF YOU INSTALL THE MASONRY FACEPLATE OPTION).

Fresh Air Intake Kit for installation instructions of a fresh air intake kit.

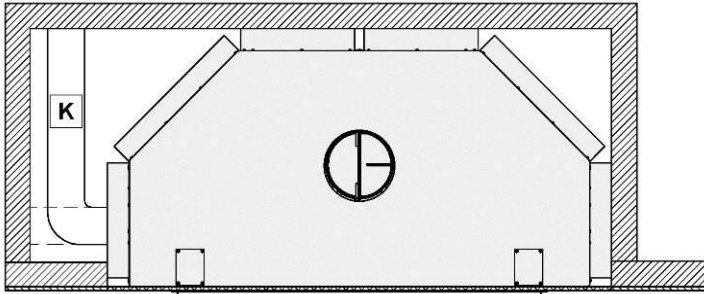


Figure 21 : Fresh air intake - Side Installation

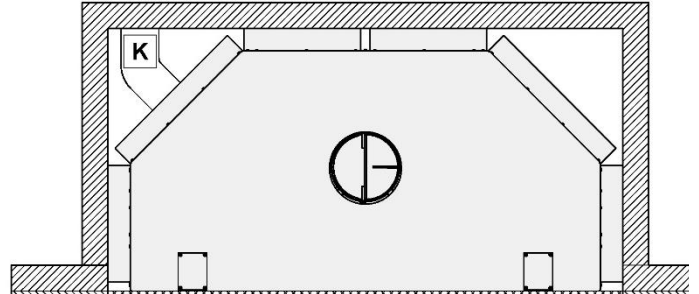


Figure 22 : Fresh air intake - Back Installation

MINIMUM MEASUREMENTS FOR FRESH AIR INTAKE KIT (K)*	
	12" (305 mm)

Refer to the building code or the local code for regulations concerning the need to install finishing material inside the chase around the fireplace.

*The fresh air intake kit may be installed on the left side or on the back.

1.3.10.4 Framing when installing in a corner

NOTE

VALUES M AND N ARE MINIMUM MEASUREMENTS. THEY MAY NEED TO BE INCREASED TO ALLOW INSTALLATION OF A FRESH AIR INTAKE KIT OR DEPENDING ON THE FINISH MATERIAL USED.

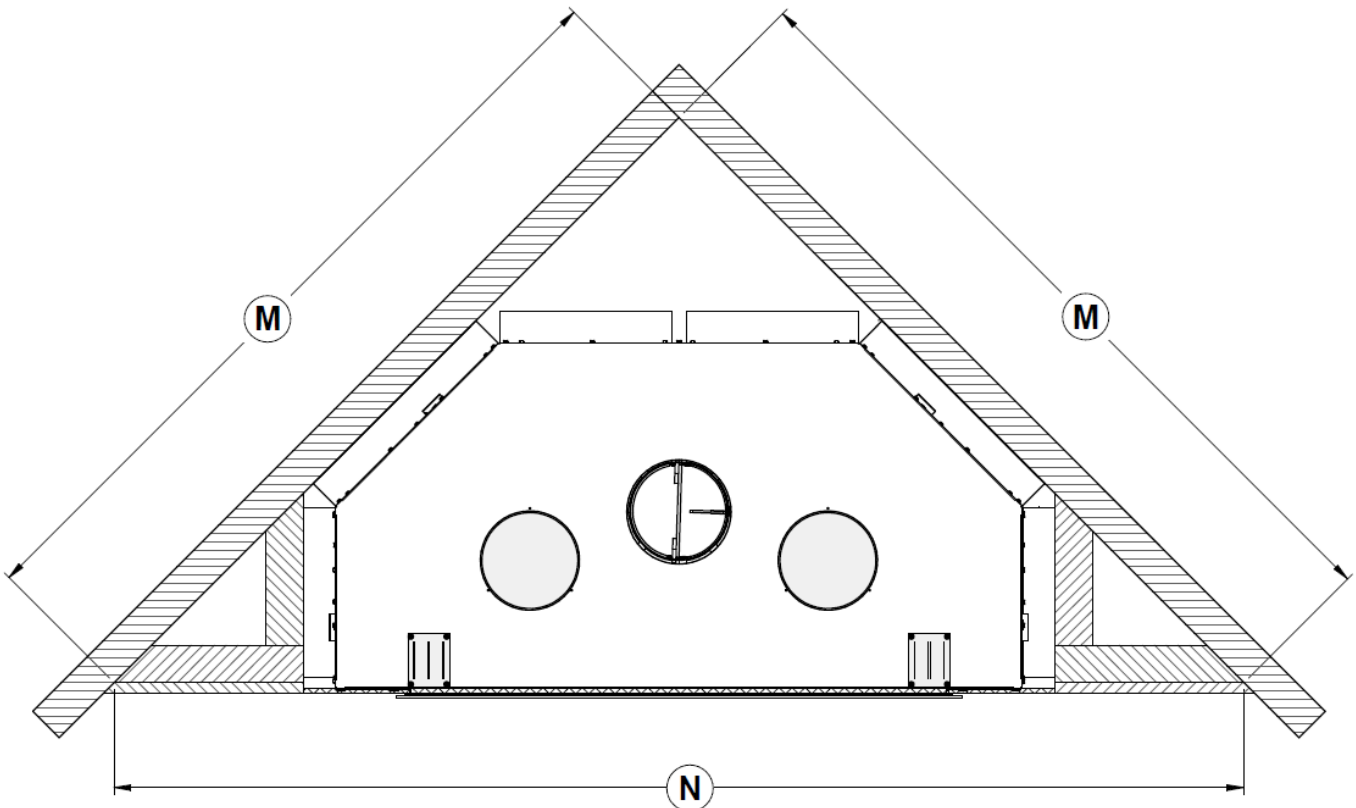


Figure 23 : Installation in a corner

	MEASUREMENTS
M	67" (170,2 cm)
N	94 3/4" (240,8 cm)

Refer to the building code or the local code for regulations concerning the need to install finishing material inside the chase around the fireplace.

1.3.11 Facing

Materials directly in the front of the fireplace must be non-combustible and have the minimum dimensions shown on **Figure 24 : Facing**

Non-combustible materials such as brick, stone or ceramic tile may project in front of and onto the fireplace decorative frame.

CAUTION

MATERIALS MUST BE INSTALLED SO THAT THE FACEPLATE MAY BE REMOVED AFTER THE INSTALLATION. THE FACEPLATE IS DESIGNED TO OVERLAP THE MATERIAL SURROUNDING THE FIREPLACE. IF THE MATERIAL IS THICKER, USE A FACEPLATE GAUGE FOR POSITIONING AND MAKE SURE THAT THE FACEPLATE CAN BE REMOVED AFTER IT HAS BEEN INSTALLED (PLEASE DISMISS IF YOU INSTALL THE MASONRY FACEPLATE OPTION).

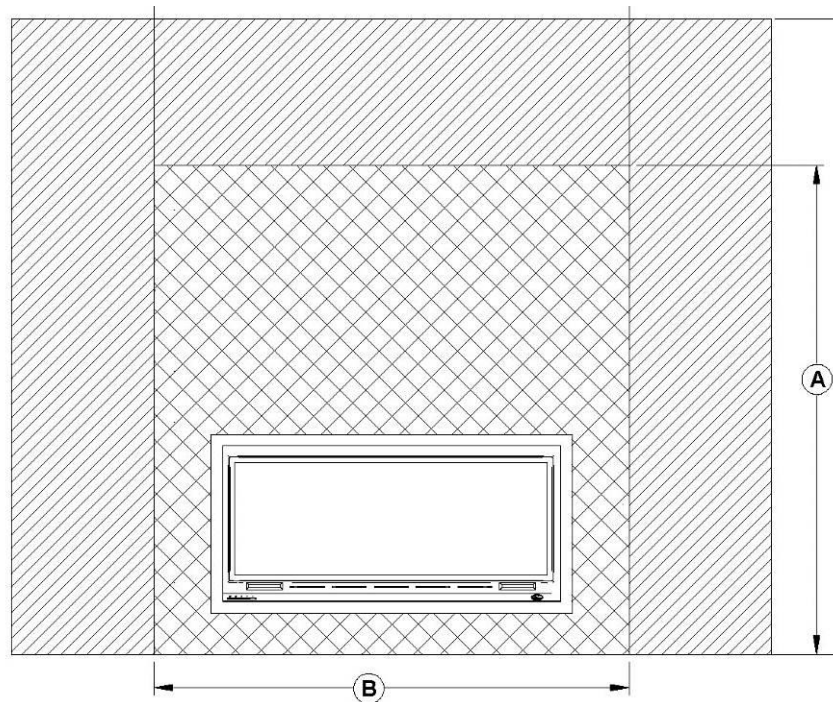
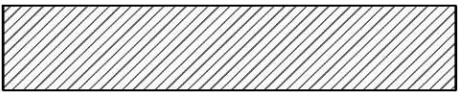



Figure 24 : Facing

LEGEND	
	Combustible material allowed in this area (Example: Drywall)
	Non-combustible material only in this area (Example: Cement board)

MINIMUM MEASUREMENTS	
A	64 3/4" (162.6 cm)
B	62 9/16" (157.5 cm)

1.3.12 Installation of a Combustible Mantel Shelf

To ensure compliance of an existing mantel shelf or to install a combustible mantel shelf, refer to table and figure in this section.

A mantel shelf with a 6" depth (152 mm) (C) must be installed at least 48" (1219 mm) (B) above the bottom of the fireplace (see figure and tables in this section).

Different mantel shelf dimensions are listed in the following table. However, no combustible mantel shelf can be installed at less than 48" (1219 mm) above the bottom of the fireplace.

If the depth of the mantel shelf is not listed in the table below, add 42" (1067 mm) to the depth of your mantel shelf to obtain the safe positioning of your mantel shelf. For example, for a 9" (229 mm) mantel shelf, the safe positioning would be 51" (1295 mm) above the bottom of the fireplace 42" (1067 mm) + 9" (229 mm)).

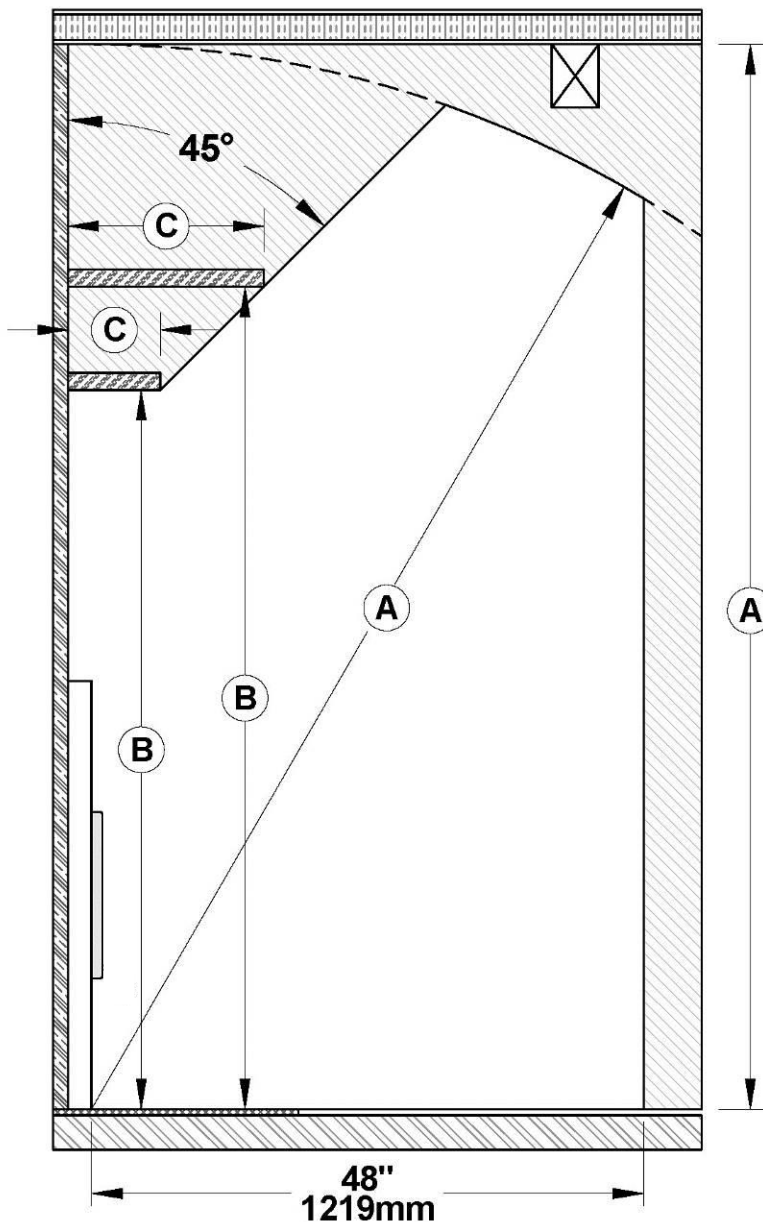


Figure 25 : Installation of a Combustible Mantel Shelf

CLEARANCES	
A	84" (1829 mm)

SHELF POSITIONING	
B	C
48" (1219 mm)	6" (152 mm)
50" (1270 mm)	8" (203 mm)
52" (1321 mm)	10" (254 mm)
54" (1372 mm)	12" (305 mm)

1.3.12.1 Installing a television above a fireplace

Installing a television above a fireplace has become increasingly popular; however, the area above any fireplace gets hot and most TV manufacturers recommend against placing their products near a heat source. If you install a television above this fireplace, SBI accepts no responsibility for damage or injuries. Follow the television manufacturer's installation instructions, including any recommendations regarding proximity to heat or smoke sources. If you have a TV above your fireplace, turn off the fireplace and let it cool completely before servicing or touching any buttons on the TV.

1.3.12.2 Facing

CAUTION: BEFORE CLOSING THE WALLS, MAKE SURE THAT THE AIR CONTROL MECHANISM, THE FLUE DAMPER AND DOORS MECHANISM WORK PROPERLY.

CAUTION: IF YOU ARE TO INSTALL A MASONRY TRIM, IT MUST BE SECURED TO THE FIREPLACE BEFORE APPLYING THE FINISHING MATERIAL (See section 1.3.10.1 Framing).

3. Materials directly in contact with the faceplate of the fireplace, especially the vertical and horizontal surround, must be non-combustible and have the minimal dimensions as shown on **Figures 13, 24 and 25**.
4. Non-combustible materials such as brick, stone or ceramic tile may project in front of and onto the fireplace decorative frame.

CAUTION: MATERIALS MUST BE INSTALLED SO THAT THE FACEPLATE MAY BE REMOVED AFTER THE INSTALLATION. THE FACEPLATE IS DESIGNED TO OVERLAP THE MATERIAL SURROUNDING THE FIREPLACE. IF THE MATERIAL IS THICKER, USE A FACEPLATE GAUGE FOR POSITIONING AND MAKE SURE THAT THE FACEPLATE CAN BE REMOVED AFTER IT HAS BEEN INSTALLED (PLEASE DISMISS IF YOU INSTALL THE MASONRY FACEPLATE OPTION).

1.3.13 Fresh Air Intake Kit

During operation, the fireplace requires fresh air for combustion and draws air out of the house. It may starve other fuel burning appliances such as gas or oil furnaces. As well, exhaust fans may compete for air, creating negative pressure in the house, resulting in smoke entering the house from the fireplace. This situation is aggravated in modern airtight houses. To overcome this problem, we strongly recommend that you bring fresh air to the fireplace. **Check with local authorities having jurisdiction in your area, it may be mandatory.**

1.3.13.1 Fresh air intake kit installation

Follow these instructions to install a fresh air intake kit:

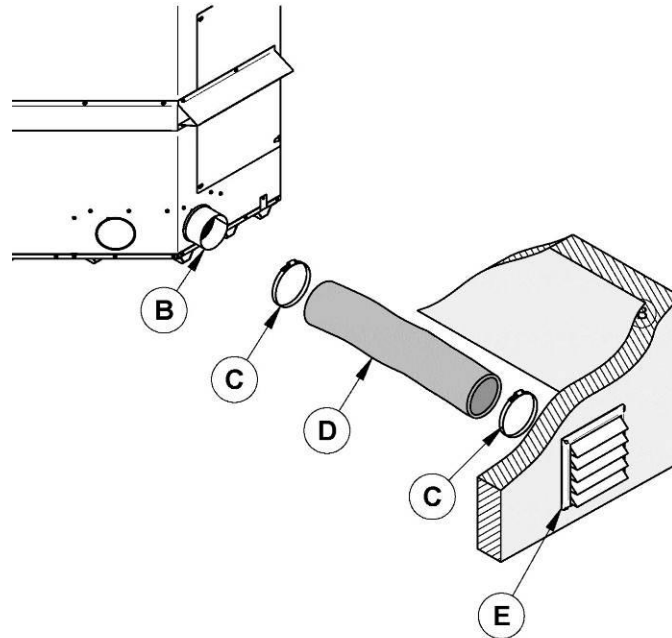


Figure 26 : Fresh air intake kit installation

- The insulated flexible pipe length **(D)** should be sufficient and have a configuration to avoid condensation.
- The outside wall termination **(E)** must not be installed:
 - At more than 50% of the total height of the chimney;
 - At more than 10 ft. (3 m) above the base of the fireplace;
 - At more than 3 ft. Below the base of the fireplace.
- The fresh air must come from outside the house. The air intake must not draw air from the attic, from the basement or from a garage.
- The outside wall termination should be installed where it is not likely to be blocked by snow or exposed to extreme wind and away from automobile exhaust fumes, gas meter and other vents.
- The insulated flexible pipe and the outside wall termination can be installed over or under the floor level.

Your fireplace comes with a 4" adapter (B) but the following components are not included:

- A 4" insulated flexible pipe (D). (This HVAC type pipe must comply to ULC S110 and/or UL 181, Class 0 or Class 1 Standards and must withstand temperatures up to 250 °F.)
- The outside wall termination (E)
- Adjustable clamps (2X) (C)

The fresh air intake kit may be installed on two different places on the fireplace.

- On the left side of the appliance.
- On the left side, at the back of the appliance.

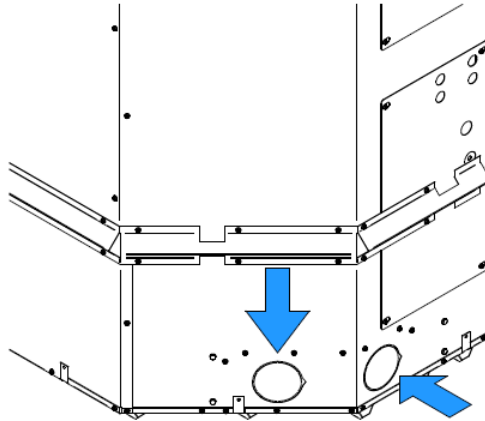


Figure 27 : Fresh air intake locations

Note: Only remove the knock-out that will be connected to the fresh air intake.

STEP 1: Remove the knock out located on the left-hand side of your fireplace.

STEP 2: Install 4" adapter included in your fireplace. Align the notch on the adaptor with the one on the fireplace and turn clockwise.

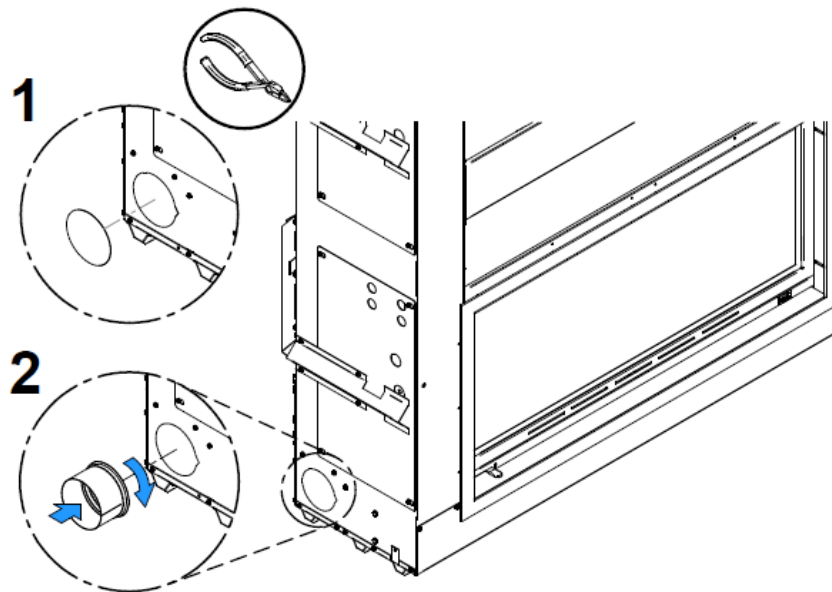


Figure 28 : Adapter installation

Then, install the flexible pipe* (D) (not supplied) to the fresh air intake adapter (B) using one of the adjustable clamps (C). Secure the other end of the pipe to the outside wall termination (E) using the second adjustable clamp (C). The outside wall termination (E) must be installed outside of the building.

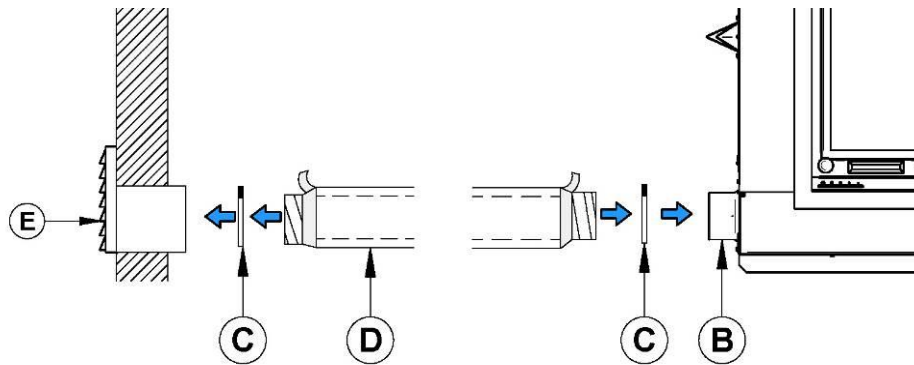


Figure 29 : Fresh air intake installation

*For a pipe length less than 20 ft, use a 4" pipe diameter. For a pipe length of more than 20ft, or having more than two deviations, use a 6" pipe diameter. The maximum pipe length is 30 ft (9 m). To avoid condensation, it is recommended to use an insulated pipe long enough and containing a "P-Trap". This configuration can be found inside the chase, but must at all times maintain clearances to combustibles.

To complete the installation, make a hole of 1/4" to 1/2" (6 mm à 13 mm) bigger than the insulate pipe diameter in the outside wall of the house at the chosen location. From outside, place the outside wall termination in the hole (open side down) and fasten the register to the wall, with screws.

Place the insulated pipe over the wall termination tube and over the fireplace outside air connector. At each end, carefully pull back the insulation and plastic cover, exposing the flexible pipe. Attach the flexible pipe using pipe clamps. For a better seal, you may also use aluminum tape. Wrap the tape around the joint between the flexible pipe and the air inlets. Carefully push the insulation and plastic cover back over the pipe. Fix the plastic in place using aluminum tape.

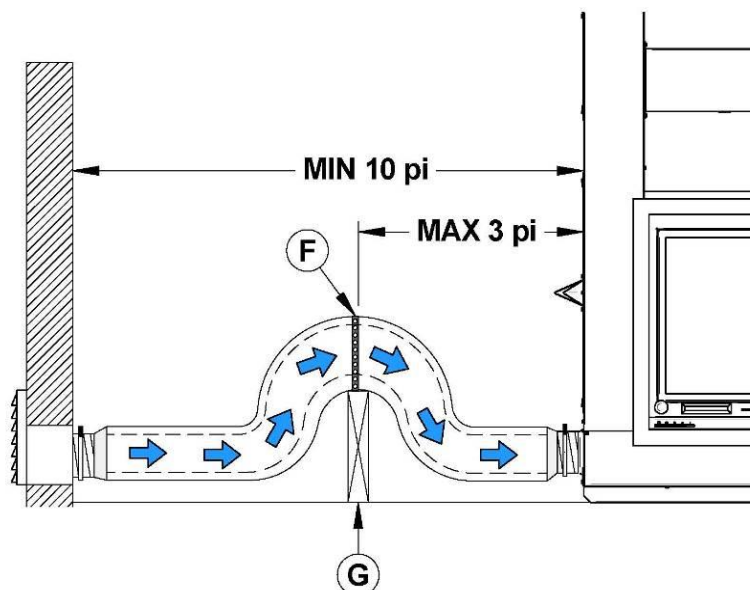


Figure 30 : P-Trap Example

1.3.14 Installation of a Gas Lighter

We have tested this fireplace with a gas lighter. The input of the gas lighter did not exceed 27,000 BTU/h. Therefore, when this maximum input is not exceeded, the temperatures reached by the fireplace are within its safety requirements. Please note that other building code requirements may apply. Such requirements may relate to the safety of the gas lighter itself, its connection, its performance, and/or its operation. As a result, our responsibility is strictly limited to the safety of the fireplace with regards to temperatures that can be reached by the appliance when it is equipped with a certified gas lighter meeting the maximum input described above. A gas lighter has not been tested with glass doors closed. Therefore, when a gas lighter is burning, close the fireplace screens and keep the glass doors open.

1.3.15 Installation of a gas log set

We have tested this fireplace with a gas log set. The input of the gas log set did not exceed 39,000 BTU/h. Therefore, when this maximum input is not exceeded, the temperatures reached by the fireplace are within its safety requirements. Please note that other building code requirements may apply. Such requirements may relate to the safety of the gas log set itself, its connection, its performance, and/or its operation. As a result, our responsibility is strictly limited to the safety of the fireplace with regards to temperatures that can be reached by the appliance when it is equipped with a certified gas log set meeting the maximum input described above.

1.3.16 Face plate installation (Sold separately)

In order to complete the fireplace installation, you must install one of the following faceplates: a black straight narrow overlap or a black straight masonry trim, sold separately.

WARNING

THE FACING OF THE NARROW OVERLAP OR THE MASONRY TRIM SHOULD NEVER COME IN CONTACT WITH MASONRY PRODUCTS SUCH AS MORTAR, ACID OR ANY OTHER PRODUCTS CONTAINING ABRASIVES. DAMAGES AND DISCOLOURATION CAUSED BY THESE PRODUCTS WILL NOT BE COVERED BY THE WARRANTY.

1.3.16.1 Straight Narrow overlap

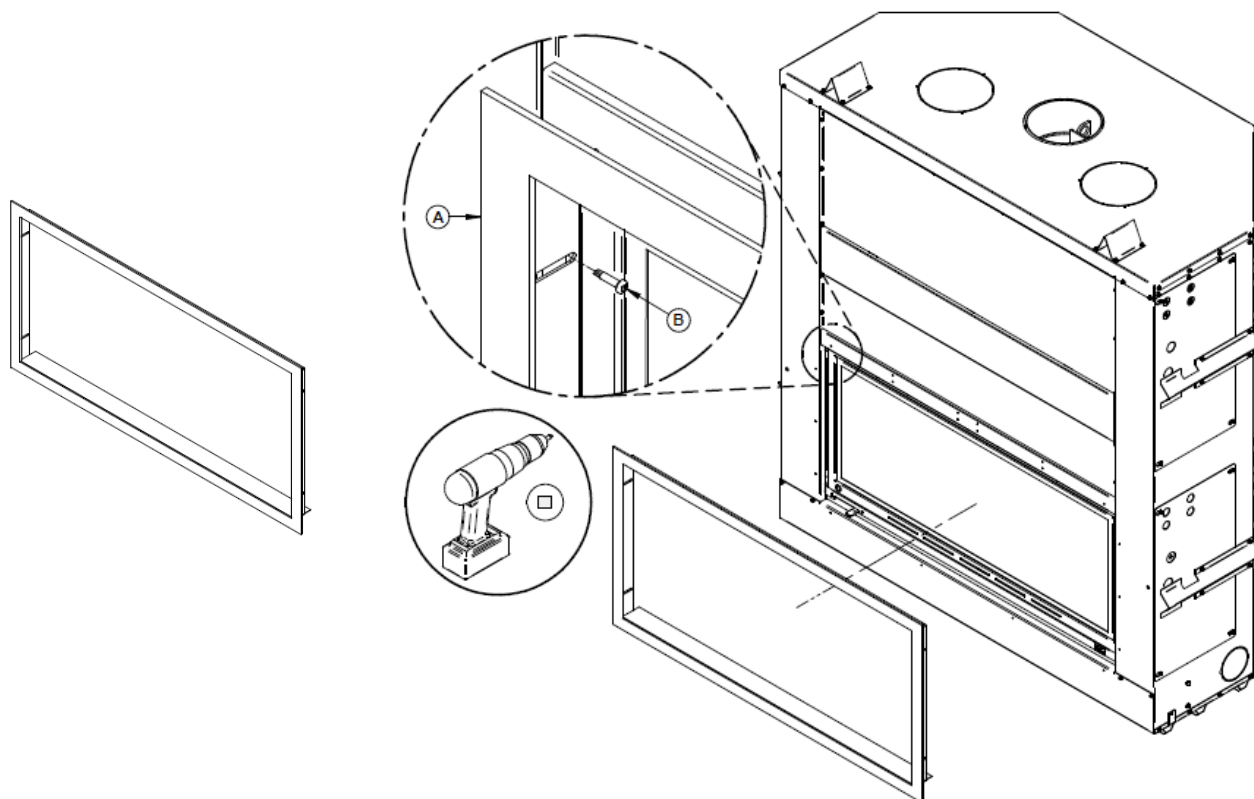


Figure 31 : Straight Narrow Overlap Trim Installation

1. Once the fireplace is fully installed, push the narrow overlap **(A)** against the non-combustible material, which must be installed on the front of the fireplace.
2. Secure the narrow overlap **(A)** to the fireplace with 4 screws **(B)** supplied with the faceplate. Always make sure the faceplate is squared to the fireplace.
3. Make sure that the doors still slide perfectly.

1.3.16.2 Masonry Trim

Note that if you install a masonry trim and that the non-combustible finishing material is more than 3/8" thick, you will need to install it before installing your fireplace.

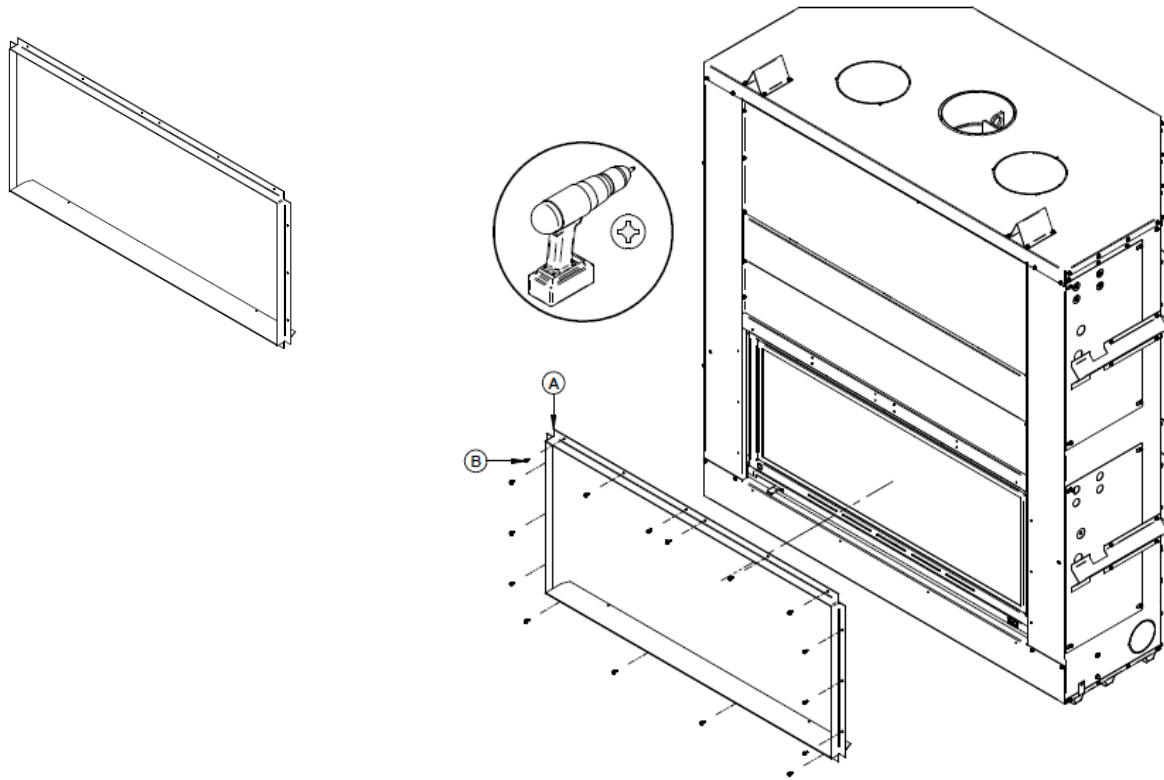


Figure 32 : Masonry Trim Installation

1. Once the fireplace is fully installed, press the masonry trim **(A)** against the fireplace (the longest side towards the bottom going inside the fireplace).
2. Secure the masonry trim **(A)** to the fireplace with 16 screws **(B)** supplied with the fireplace kit. Always make sure the masonry trim is squared to the fireplace.
3. Make sure that the doors still slide perfectly.
4. Once the trim is installed, you may proceed with the installation of the non-combustible wall (all types of cement board).
5. Install the non-combustible material on top of the cement board and against the exceeding side of the masonry trim **(A)**.

1.3.17 Moulded Refractory Brick Panels Installation

1. Remove the andirons (**L**) by unscrewing the anchoring bolts (**K**). Then place the bottom refractory panels (**A**) and (**B**) at the bottom of the firebox and pull them toward the front of the unit to help positioning the sides and back refractory panels.

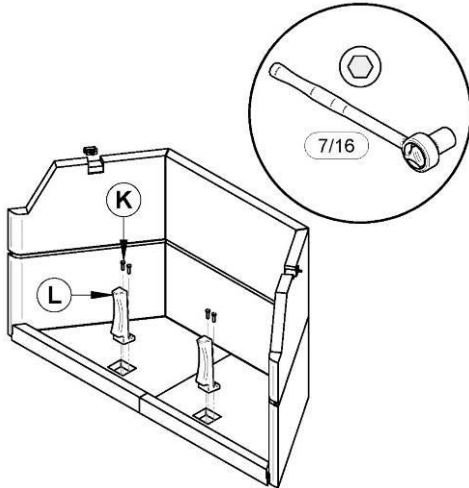


Figure 33 : Andirons and Anchors bolts

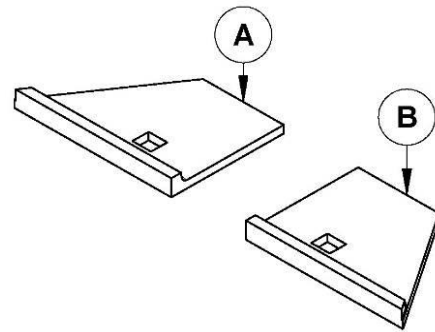


Figure 34 : Bottom panels

2. Place the lower back refractory panel (**C**). Set it on the floor of the firebox, behind the bottom refractory panels.

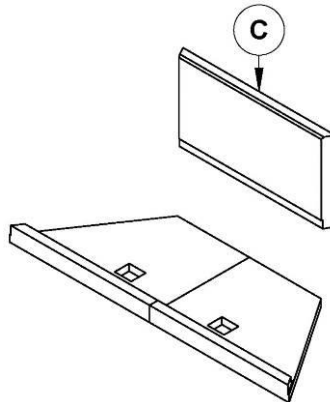


Figure 35 : Lower Back Panels

3. Place the left and right lower refractory panels (**D**) and (**E**). Set them on the floor of the firebox, as shown.

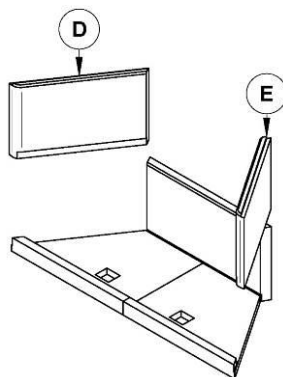


Figure 36 : Lower Right and Left Panels

- Lay the upper back refractory panel **(F)** on top of the middle back refractory panel.

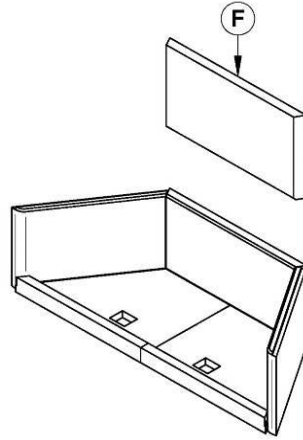


Figure 37 : Upper Back Panels

- Place the upper left and right refractory panels **(G)** and **(H)** onto the notches of the middle left and right refractory panels.

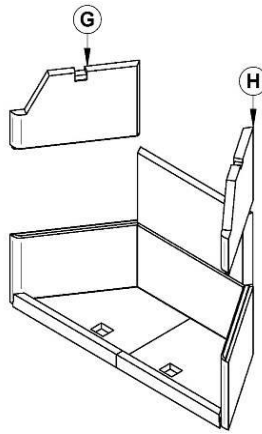


Figure 38 : Upper Left and Right Panels

- Secure the upper refractory panels retainers **(I)** using the screws **(J)** provided with the owner's manual kit.

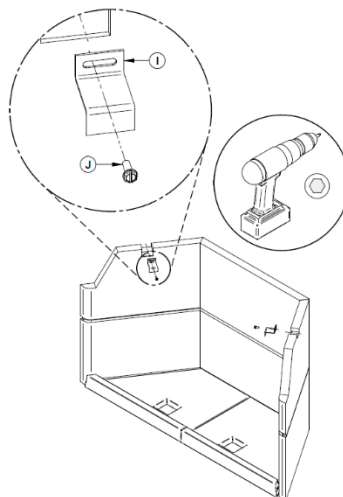


Figure 39 : Panels Retainers

7. Reinstall the andirons and secure them with anchor bolts.

1.3.18 Door Adjustment

1.3.18.1 Screen door

1. Lift the screen and the glass door completely to the top.
2. Unscrew one of the two bolts which are located in the lower right corner of the screen door (**Detail B**).
3. Loosen the other bolt to allow adjustments of the door.
4. Move down the screen door to the bottom.
5. To adjust, move the door to the left or right as needed.
6. Without changing the performed adjustment, move up about 6" the screen door.
7. Tighten the 2 bolts.

1.3.18.2 Glass door

1. Move the screen door completely to the top.
2. Move down the glass door to the bottom.
3. Unscrew the two bolts (**Detail A**) which are located in the lower left corner of the door (see **Figure 26**).
4. To adjust, move the door to the left or right as needed.
5. Tighten the 2 bolts.

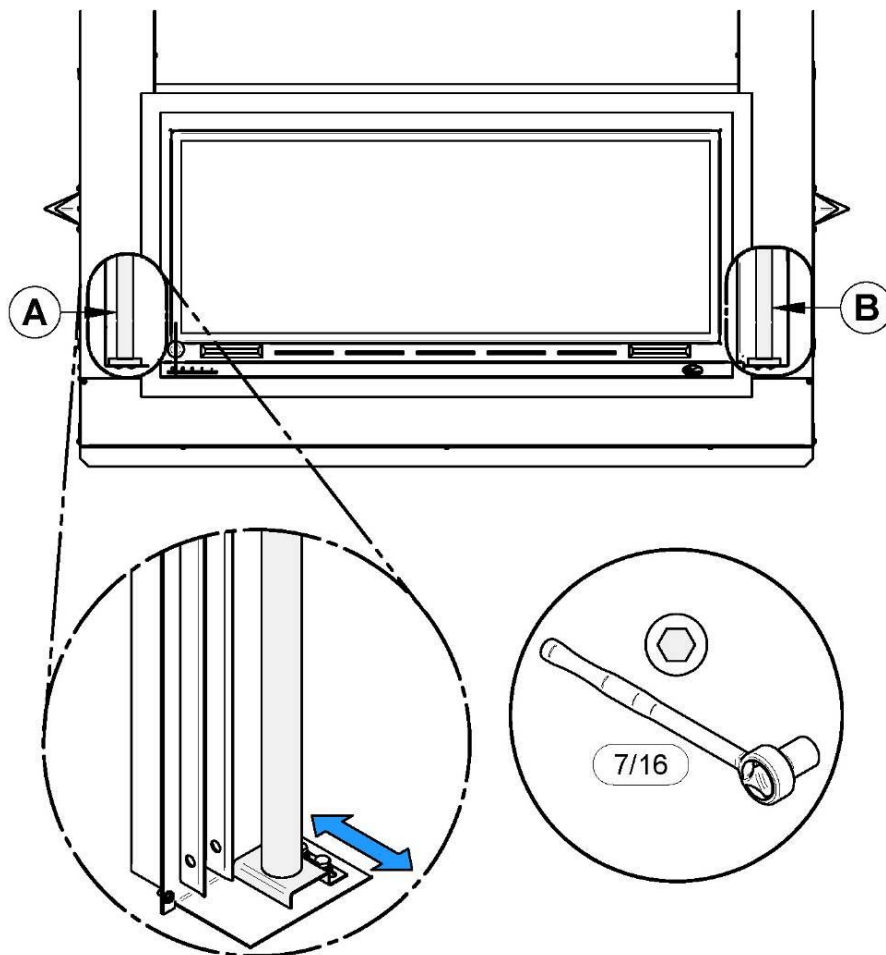


Figure 40 : Door adjustment

1.3.19 Access door for counterweight

It is possible to access the fireplace counterweight by opening access door on each side of the fireplace.

NOTE: Do not lubricate pulleys.

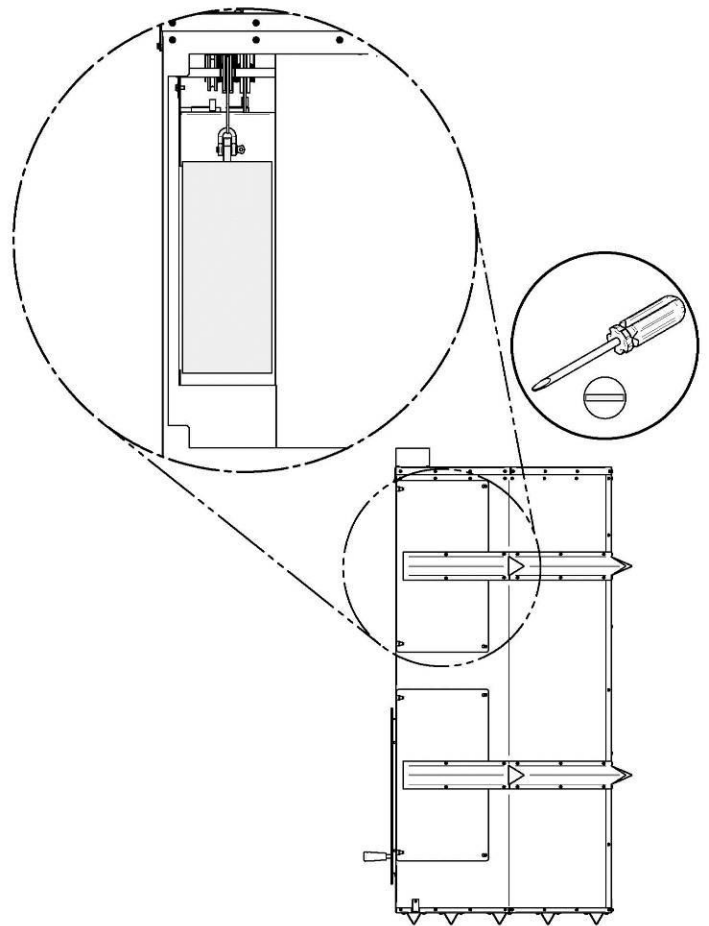


Figure 41 : Counterweight access doors

1.4 Venting System (Chimney and Chimney Connector)

1.4.1 General Information

The venting system is the engine that drives your wood heating system. Even the best fireplace will not function safely and efficiently if not connected to a suitable chimney. The heat in the flue gases that pass from the fireplace to the chimney is not wasted heat. This heat is what the chimney uses to make the draft that draws in combustion air and keeps the combustion gases within the fireplace. You can think of heat in the flue gas as the fuel the chimney uses to make draft.

1.4.2 Suitable Chimneys

This wood fireplace may be connected to either a factory-built metal or a masonry chimney. To be suitable, a factory-built metal chimney must comply with UL 103HT (U.S.A.), ULC S629 (Canada) and ULC S-604 (Canada). Factory-built chimneys are tested as a system with all the necessary components for installation. To be safe and effective, the chimney must be installed exactly in accordance with the manufacturer's instructions. **Use only components intended for the brand and model of chimney you are using. Never substitute parts from other chimney brands or build your own components.**

This wood fireplace is to be connected to a chimney with an 8" diameter flue passage.

The fireplace may also be connected to a masonry chimney, provided the chimney complies with the national or local building code. The chimney must have either a clay liner or a listed stainless-steel liner. If the masonry chimney has a square or rectangular liner that is larger in cross sectional area than a round 8" flue, it should be reduced by relining with a listed 8" stainless steel liner. Do not downsize the flue to less than 8".

TABLE 4 : LISTED CHIMNEYS FOR YOUR FP16D - SAINT-LAURENT WOOD FIREPLACE

CHIMNEY MANUFACTURER	BRAND	TYPE	INNER DIAMETER
Olympia Chimney / SBI Venting Division	Ventis	1" Solid Pack	8" (20 cm)
SBI Venting Division	Nexvent	1" Solid Pack	8" (20 cm)
Selkirk	CF Sentinel (CF)	2" Solid Pack	8" (20 cm)
Selkirk	Super Pro 2100 (ALT)	2" Solid Pack	8" (20 cm)
Selkirk	Super Vent 2100 (JM)	2" Solid Pack	8" (20 cm)
Security Chimney	S-2100 +	2" Solid Pack	8" (20 cm)
DuraVent	Dura Plus HTC	2" Solid Pack	8" (20 cm)
DuraVent	Dura Plus	AC Triple Wall	8" (20 cm)
DuraVent	Dura Tech	1" Solid Pack	8" (20 cm)
DuraVent	Dura Tech Canada DTC	1" Solid Pack	8" (20 cm)
DuraVent	Dura Tech Premium	2" Solid Pack	8" (20 cm)
American Metal	HSS	AC Triple Wall	8" (20 cm)
American Metal	HS	AC Triple Wall	8" (20 cm)
Metal Fab	Temp Guard	1.5" Solid Pack	8" (20 cm)

WARNING

- **IN EVERY CASE, THE CHIMNEY MUST START WITH A 8" DIAMETER ANCHOR PLATE SECURED TO THE FIREPLACE. (SOLD SEPARATELY)**
- **IF THE MALE NOZZLE (A) OF THE ANCHOR PLATE EXCEEDS 2" (51 MM) IN LENGTH (SEE IMAGE BELOW), IT SHALL BE CUT ABOVE THE LIFTING HOOKS WELDED TO THE INSIDE OF THE FLUE OUTLET SO THAT THE ANCHOR PLATE RESTS PERFECTLY ON TOP OF THE FIREPLACE.**
- **IF THE FLUE OUTLET IS CUT ONLY AROUND THE HOOKS, MAKE SURE THAT THE FLUE DAMPER MECHANISM WORKS PROPERLY BEFORE CLOSING THE WALLS.**

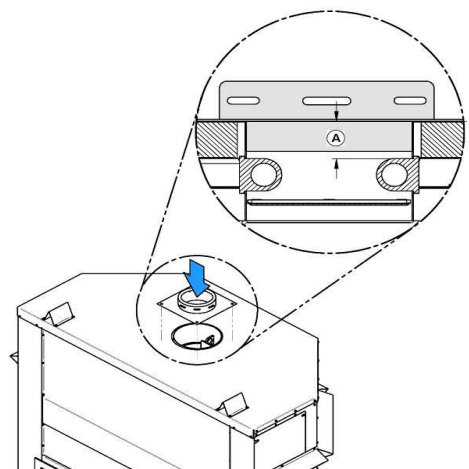
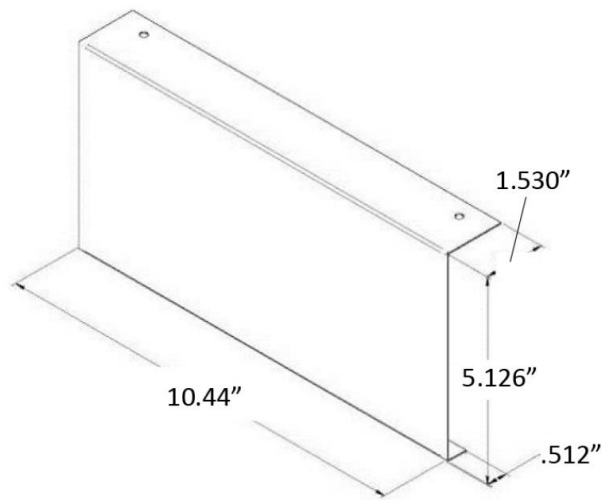


TABLE 5 – LIST OF MANDATORY COMPONENTS

CHIMNEY MANUFACTURER	MANDATORY COMPONENTS	TYPE/BRAND
Olympia Chimney / SBI Venting Division	<ul style="list-style-type: none"> Ventilated roof flashing 	1" Solid Pack: Ventis, Nexvent, Champion Chimney System, Rockford Chimney System
Security Chimney	<ul style="list-style-type: none"> Requires insulated attic radiation shield unless chimney is enclosed at the attic level. 	2" Solid Pack: S-2100 +
DuraVent	<ul style="list-style-type: none"> Ventilated roof flashing 	1" Solid Pack: Dura Tech, Dura Tech Canada DTC 2" Solid Pack: Dura Tech Premium
American Metal	<ul style="list-style-type: none"> Chimney cannot be enclosed at the attic level. 	AC Triple wall: HS AC Triple wall: HSS

1.4.3 Rafter protection

Rafter protectors, at the roof level, must be installed with this unit, if the chimney is enclosed at the attic level. Rafter protectors must be made of 22 ga or more galvanized steel and must have at least the dimension presented on the following diagram:



1.4.4 Chimney Installation Notes

- If possible, install an interior chimney as it will provide better performance. In areas with continuous temperatures below -18°C (0°F), the use of an exterior chimney increases the likelihood of operating problems such as low draft, high rate of creosoting, and poor start-up characteristics. Exterior chimneys are also prone to down-drafting and flow reversal. Installations, which are located on lower floors in the house, such as in a basement, in combination with outside chimney, are especially prone to flow reversal.
- The FP16D – SAINT-LAURENT is listed only with chimney systems described in **TABLE 4 : LISTED CHIMNEYS FOR YOUR FP16D - SAINT-LAURENT WOOD FIREPLACE**.
- A chimney venting a fireplace shall not vent any other appliance.
- The minimum chimney system height for a straight installation is 15 ft. (4.5 m) from the bottom of the fireplace to the top of the outside chimney.
- All chimney installations must include at least one support. Reducing the amount of chimney weight on the fireplace will help avoid the noise created when the fireplace expands. This can be achieved by having the chimney supported by the supports. The maximum chimney length that should be supported by the fireplace is 9 ft. (2.75 m) for 2" Solid Pack Chimney and 12 ft. (3.7 m) for 1" Solid Pack Chimney. Refer to the chimney manufacturer for the chimney length to be supported.
- The chimney must extend at least 3 ft. (92 cm) above its point of contact with the roof and at least 2 ft. (61 cm) higher than any wall, roof or building within 10 ft. (3.1 m) of it. See figures below to determine the configuration that applies to your roof (flat or sloped roof and the distance between the chimney and the highest point of the roof and/or the nearest chimney).

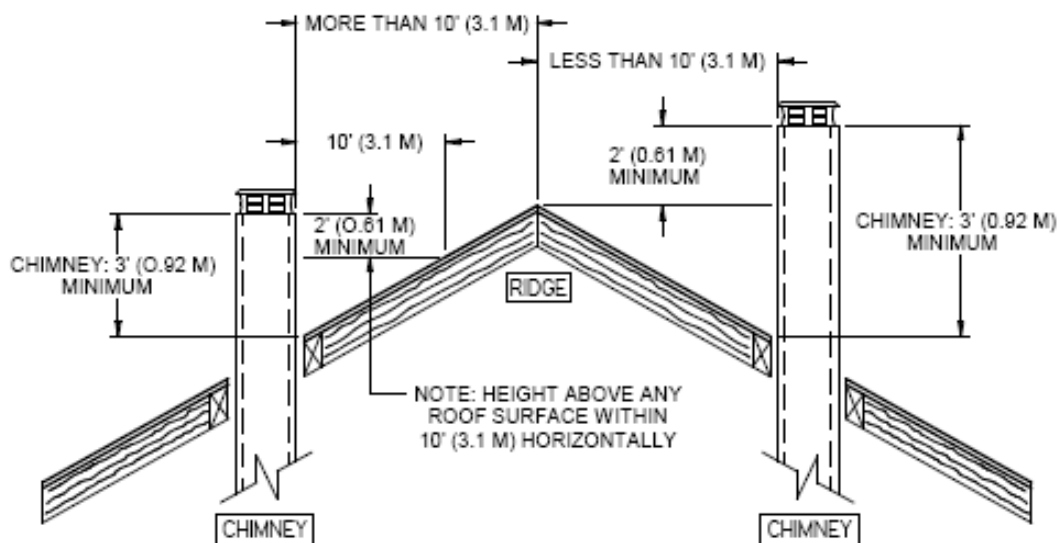


Figure 42 : Slope Roof

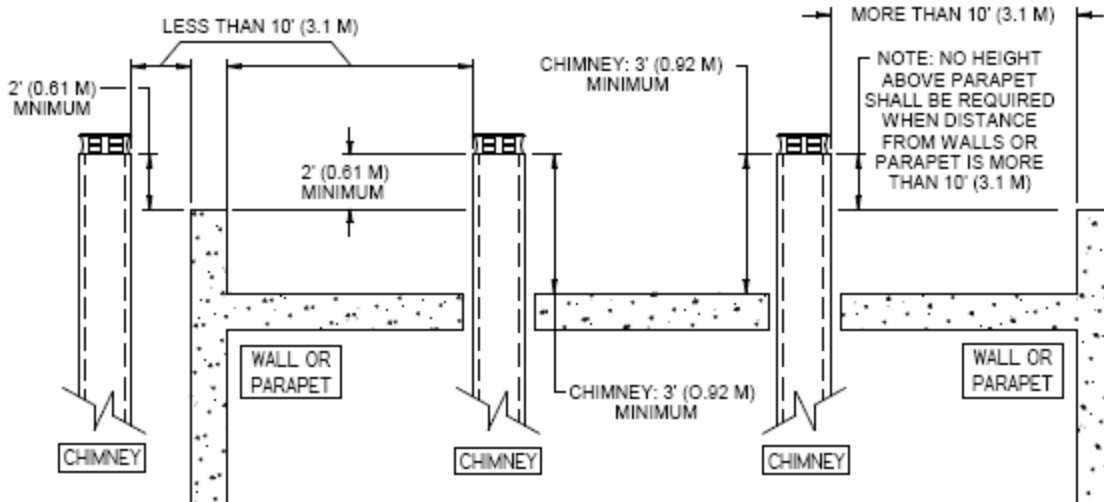


Figure 43 : Flat roof

- Deviations should be avoided whenever possible, especially the most pronounced. Each deviation adds some restriction to the chimney system and may lead to draft problems.
- If the chimney extends higher than 5 ft. (1.5 m) above its point of contact with the roof, it must be secured using a roof brace.
- A rain cap must be installed on top of the chimney.
- Cut and frame square holes in all floors, ceilings, and roof that the chimney will go through to provide a 2" (50 mm) minimum clearance between the chimney and any combustible materials. Do not fill this 2" space with insulation or any other combustible material.
- Portions of the chimney which may extend through accessible spaces must be enclosed to avoid contact with combustible materials or damage the chimney.
- For installations where more than one chimney is located in the same non-chase or within the same area, we suggest that their terminations be separated by at least 16" (410 mm) horizontally, and 18" (460 mm) vertically. This separation is to prevent smoke migrating from one chimney to another.

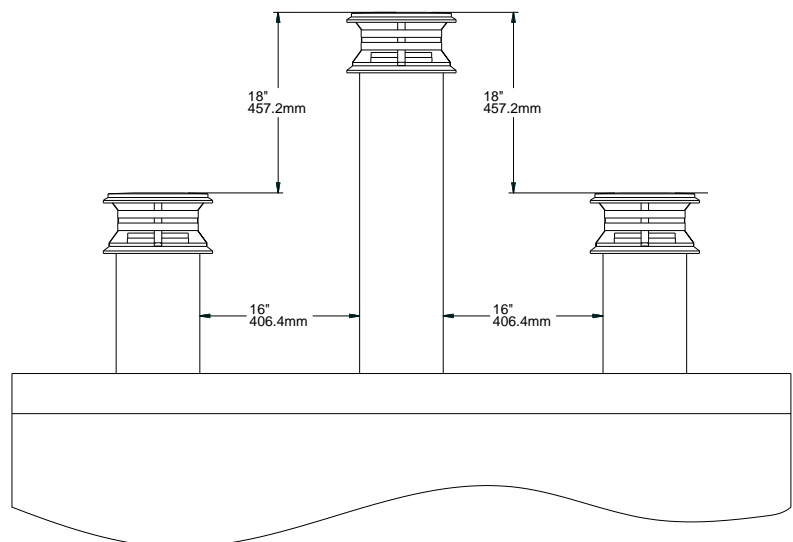


Figure 44 : Multiple Chimneys

1.5 Chimney Installation Instructions

Always refer to the chimney manufacturer's Installation manual to ensure a safe installation. Some non-illustrated parts may be required.

1.5.1 Examples of Typical Chimney Installation

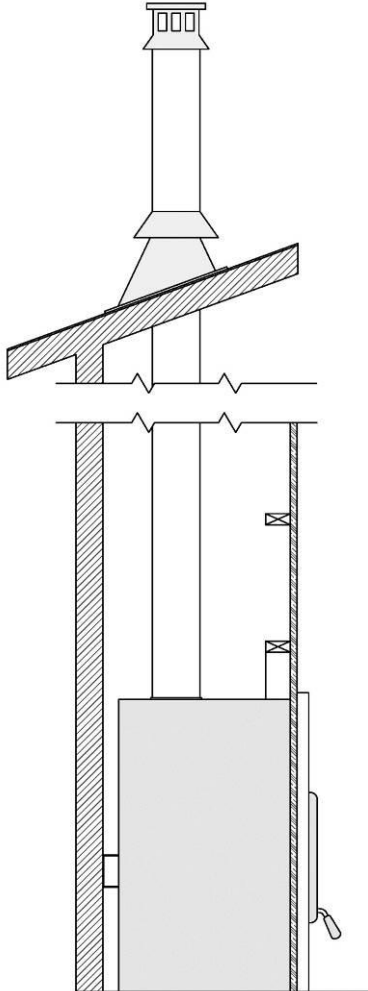


Figure 45 : Straight Installation

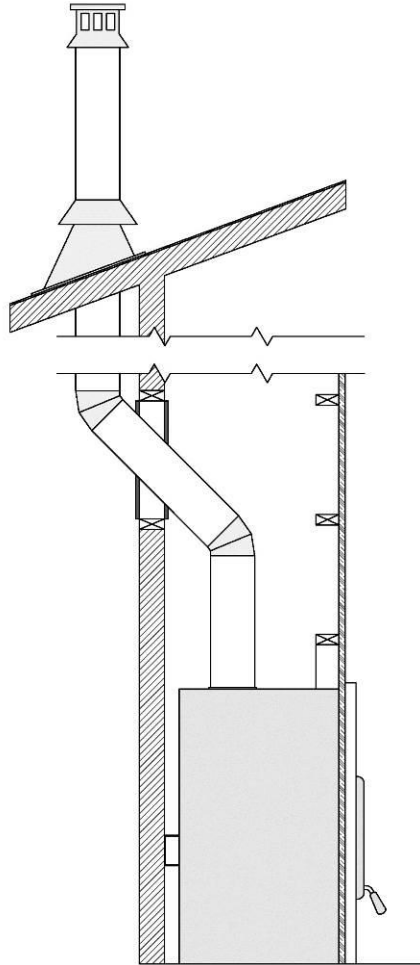


Figure 46 : Exterior offset installation

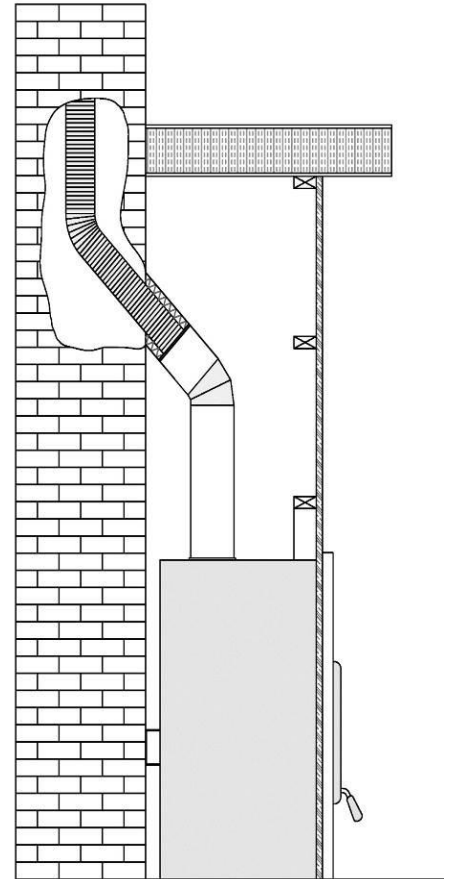
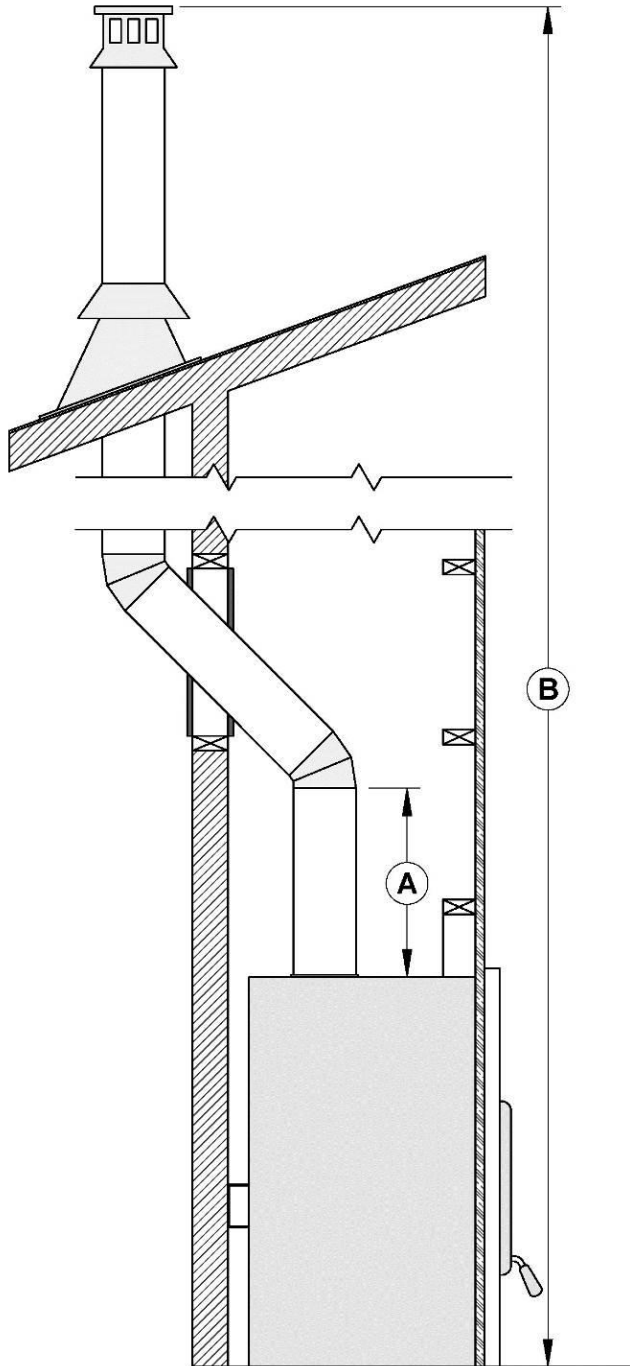


Figure 47: Connection to a masonry chimney

1.5.2 Offset installation



A	To ensure a good draft, it is recommended to have a length of 18 inches from the top of the unit to the first offset.
B	Mandatory measure of 15 ft. from the bottom of the fireplace to the top of the outside chimney.

Figure 48 : Typical Installation

1.5.3 Installation Instructions

NOTE

ALWAYS REFER TO THE CHIMNEY MANUFACTURER'S INSTALLATION INSTRUCTIONS.

1. Cut and frame the holes in the ceiling, floor and roof where the chimney will pass. Use a plumb bob to line up the center of the holes. Make sure that the size of the floor and ceiling holes are in accordance with the chimney manufacturer's instructions.
2. From below, install a firestop (**B**) in each ceiling/floor separation through which the chimney will pass. At the attic level, install an attic radiation shield from above (**D**).
3. Follow the chimney's manufacturers' instructions and place the first chimney length on the fireplace. For all chimneys, you must use an anchor plate (**A**) before installing the first chimney length. Continue installing chimney lengths making sure to lock each length in place.
4. Cut and frame square holes in all floors, ceilings, and roof that the chimney will go through (**C**) to provide a 2" (50 mm) minimum clearance between the chimney and any combustible materials. Do not fill this space with insulation or any other combustible material.
5. Every time the chimney passes through a ceiling or a wall, install the appropriate firestop (**B**). When you reach the desired height, install the roof support (not shown). (Refer to instructions included with the support).
6. Then, put the roof flashing (**E**) in place and seal the joint between the roof and the flashing with roofing pitch. For sloping roofs, place the flashing under the upper shingles and on top of the lower shingles. Nail the flashing to the roof, using roofing nails.
7. Place the storm collar (**F**) over the flashing and tighten it with the bolt supplied. Finally, seal the joint between the storm collar and the chimney, using silicone caulking.
8. Install the chimney cap (**G**).
9. When a ventilated roof flashing is installed, precautions are to be taken not to caulk or seal the ventilating openings.

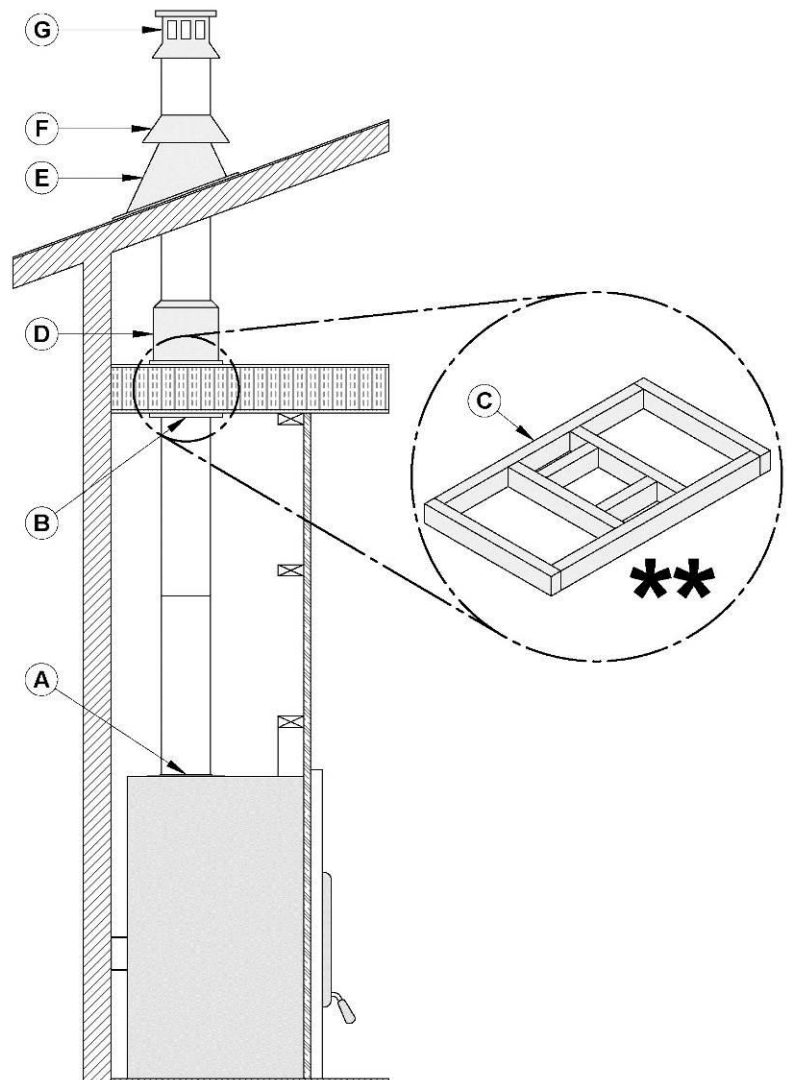


Figure 49 : Installation Instructions

WARNING

- THE STRUCTURAL INTEGRITY OF THE FLOOR, WALL, AND CEILING/ROOF MUST BE MAINTAINED.
- THE FLOOR AND WALLS BELOW THE ATTIC MUST BE INSULATED USING THE SAME INSULATION.

1.5.4 Offset Chimney Installation

TABLE 5 : THE MINIMUM SYSTEM HEIGHT WHEN USING ELBOWS

Fireplace model	FP16 – SAINT-LAURENT
Chimney model	All models listed in TABLE 4
Vertical installation	15 ft. (4.6 m)
Two (2) offsets	20 ft. (6.1 m)
Four (4) offsets	20 ft. (6.1 m)

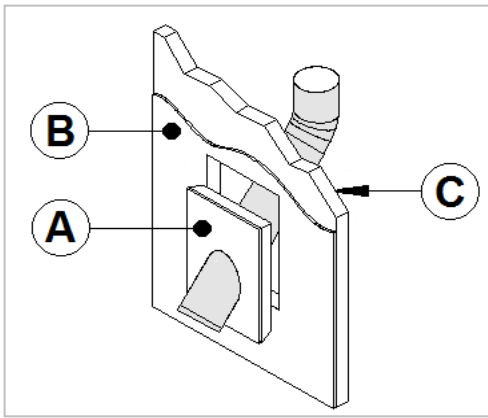
After reaching the location requiring the elbow, proceed as follows:

1. To ensure a good draft, it is recommended, to have a length of 18 inches (457 mm) from the top of the unit to the first offset. Install the first elbow; turn it in the required direction. Secure it to the chimney according to the chimney manufacturer's instructions. In many cases, it is recommended to secure connections with three (3) ½" (12 mm) metal screws.
2. Install the necessary chimney lengths to achieve the required offset. Lock the chimney lengths together according to the chimney manufacturer's instructions. In many cases, it is recommended to use three (3) ½" (12 mm) metal screws. If the offset length is made of two (2) chimney lengths or more, many chimney manufacturers may require that you use an offset or roof support halfway up the offset. If penetrating a wall, install a wall radiation shield supplied by the chimney manufacturer. (See **section 1.5 - Chimney Installation Instructions**).
3. Use another elbow to turn the chimney vertically. Secure the elbow.
4. Use a plumb bob to line up the centre of the hole. Cut a hole for the chimney in the ceiling/floor. Frame this hole as described previously.
5. From below, install a firestop supplied by the chimney manufacturer.
6. A support must be used on the first 15' section (4.6 m).
7. Continue with the regular installation.

1.5.5 Angled Wall Radiation Shield

When passing through a combustible wall with the chimney at a 30° or 45° angle (30° or 45° in Canada and 30° only in the USA), an angled firestop (**A**) or wall radiation shield must be installed. Only one is required. Follow the chimney manufacturer's installation instructions.

In cold climate locations, it is recommended that you use the insulated wall radiation shield since it will maintain the home's thermal barrier.



A	INSULATED WALL RADIATION SHIELD
B	GYPSUM BOARD
C	INSULATED WALL

Figure 50 : Angled wall radiation shield

1.5.5.1 Universal Offset Support

This support is used to support the chimney above an offset. When the chimney offset is used to pass through a wall, this support may be used on the wall to support the chimney. For offset support installation, refer to the instructions provided with the support by the chimney manufacturer. Many manufacturers will provide the maximum height of chimney that can be supported by the support. Make sure you respect those parameters.

1.5.6 Universal Roof Support

This support has three possible uses:

1. It must be used on a roof to support the chimney.
2. It may be used on a floor, ceiling or roof above an offset to support the chimney above the offset.
3. It may be used on a floor, ceiling or roof as a supplementary support.

For roof support installation, refer to the instructions provided with the support by the chimney manufacturer. Many manufacturers will provide the maximum height of chimney that can be supported by the support. Make sure you respect those parameters.

1.5.7 Installation Instructions for Masonry Application

WARNING
BEFORE STARTING THE INSTALLATION, THE MASONRY CHIMNEY MUST BE INSPECTED BY A QUALIFIED CHIMNEY SWEEPER.

The following requirements must be respected:

1. The chimney must be absolutely clear of any soot residue or creosote. Check for cracks, loose or missing bricks that could inhibit correct installation of the liner.
2. The clearance to combustible material must be a minimum of 2" between the outside of the masonry and any wood framing or loose insulation.
3. The chimney must be built in accordance with the current building code.
4. No other appliance can be connected to the same chimney.

NOTE

The chimney must be relined with a stainless steel liner of the same diameter as the outlet of the fireplace. For connection at 30° or 45° angle (30° or 45° in Canada and 30° only in the USA), a special connector must be used to connect the liner to the insulated chimney. Verify availability and installation instructions for this connector with the chimney manufacturer.

1.5.7.1 Installation instructions

1. Position the fireplace in its location. Temporarily install the elbow or chimney section **(A)** on the top of the fireplace and, using a level, mark with an oval the location where the flue liner will enter the masonry chimney.
2. In the middle of the oval, drill a hole in the masonry chimney at 45° or 30°.
3. Increase the size of the hole until a 45° or 30° insulated liner adapter **(B)** can be easily slipped through.
4. Slide the liner **(C)** down from the top of the masonry chimney until you reach the hole level.
5. Slip through the hole a 45° or 30° insulated liner adapter and connect it to the liner.
6. Seal the opening around the liner with high temperature refractory cement.
7. Then, follow the chimney manufacturer's instructions to connect the extended liner section to the special chimney connector.

Note: Make sure the liner exceeds at least 12" (30 cm) the top of masonry chimney.

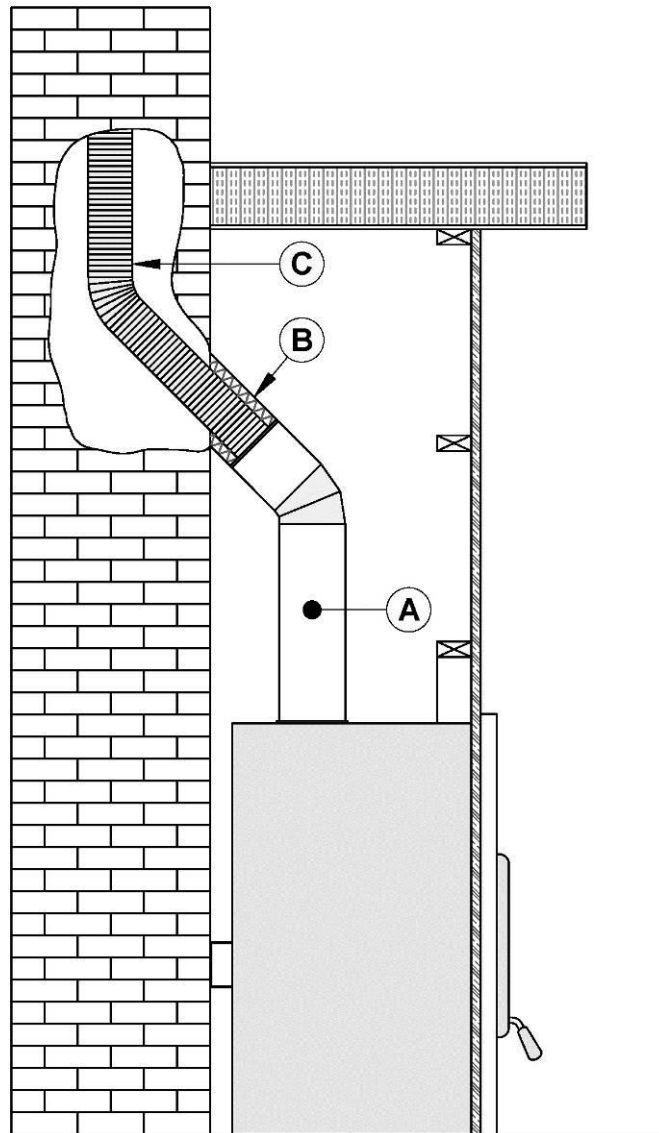


Figure 51 : Masonry Chimney Installation

PART B - OPERATION AND MAINTENANCE

2.1 Fuel

The FP16D – SAINT-LAURENT is designed to work best when fuelled with seasoned cordwood. Use solid wood or processed solid fuel fire logs only. Hardwoods are preferred to softwoods since the energy content of wood is relative to its density. Hardwoods will result in a longer burning fire and less frequent refuelling. A moisture content of 15% to 20% (seasoned) is recommended. Wood that has been cut and split and let to dry under a cover for a period of one year will usually meet those criteria. Excessively wet wood will be difficult to burn and will result in lower efficiency, increased creosoting and deposits on the glass and in the chimney. Excessively dry wood will burn well but will also have higher emissions and shorter burning time.

CAUTION

- **DO NOT BURN SCRAP OR GARBAGE, TREATED WOOD OR WOOD SUCH AS DRIFTWOOD FROM THE OCEAN WHICH HAS BEEN EXPOSED TO SALT OR OTHER CHEMICALS. SALT OR CHEMICALS CAN CORRODE THE FIREBOX AND CHIMNEY. DO NOT BURN LARGE AMOUNTS OF PAPER, CARDBOARD, TREE BRANCHES OR BUILDING CONSTRUCTION MATERIALS. INTENSE FIRING WITH THESE MATERIALS MAY OVERHEAT THE FIREPLACE, CAUSING DAMAGE TO THE UNIT, A HOME FIRE OR EVEN POSSIBLY IGNITING A CHIMNEY FIRE IF THE CHIMNEY IS CREOSOTED.**
- **DO NOT OVER FIRE THIS HEATER OVER FIRING CAN RESULT IN A SAFETY HAZARD AND CAN PERMANENTLY DAMAGE THE FIREPLACE AND CHIMNEY.**

2.1.1 The Use of Manufactured Logs

Manufactured logs made of 100% wood residues can be burn in your fireplace. However, they must be used carefully. Therefore, you cannot place a large quantity of such logs into your fireplace. Manufactured logs typically release a much larger heat output over a short period of time. Start with one log and see how the fireplace reacts. You can increase the number of logs burned at a time to a maximum of three. Burning more than three manufactured logs at one time can overheat and damage your stove.

CAUTION

- **DO NOT BURN ANY MANUFACTURED LOGS CONTAINING CHEMICAL ADDITIVES. YOU MAY OVERHEAT YOUR FIREPLACE, THEREFORE CAUSING A FIRE HAZARD AND VOIDING YOUR WARRANTY.**
- **DO NOT POKE OR STIR THE LOGS WHILE THEY ARE BURNING.**
- **USE ONLY FIRELOGS THAT HAVE BEEN TESTED FOR USE IN FIREPLACES (SEE ULC/ORD-C127, COMPOSITE FIRELOGS) AND PRIOR TO USE, REFER TO FIRELOG WARNINGS AND CAUTIONS MARKINGS ON PACKAGING.**

2.2 Operating the FP16D SAINT-LAURENT Wood Fireplace

CAUTION

WHEN IN USE, THE FIREPLACE CHIMNEY DAMPER MUST BE SET IN THE FULLY OPEN POSITION.

2.2.1 Opening the doors

For transportation purposes, you will find the removable handle **(A)** that allows you to open the doors of the fireplace inside the combustion chamber. Simply insert it into the opening provided for that purpose, in the lower left corner of the doors. This handle has to be removed when the fireplace is on.

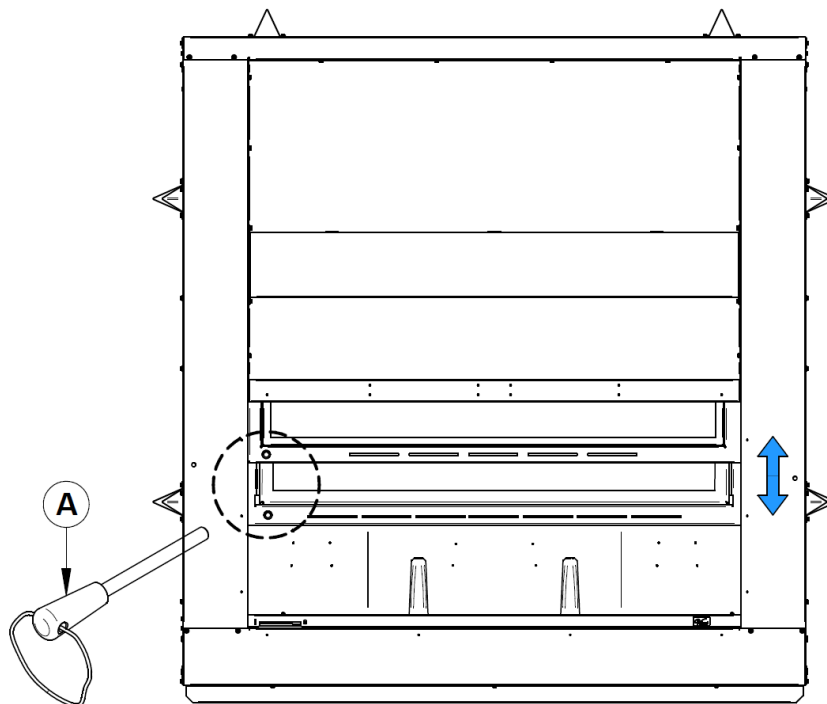


Figure 52 : Opening doors

2.2.2 First Fires

Two things will happen as you burn your first few fires; the paint cures and the internal components of the fireplace are conditioned.

As the paint cures, some of the chemicals vaporize. The vapors are not poisonous, but they do smell bad. Fresh paint fumes can also cause false alarms in smoke detectors. So, when you first light your fireplace, be prepared by opening doors and/or windows to ventilate the house. As you burn hotter and hotter fires, more of the painted surfaces reach the curing temperature of the paint.

Burn one or two small fires to begin the curing and conditioning process. Then build bigger and hotter fires until there is no longer any paint smell from the fireplace. Once the paint smell disappears, your fireplace is ready for serious heating.

2.2.3 Building a Fire

To start a fire, place several crumpled up balls of newspaper in the firebox behind the andiron. Place small dry pieces of kindling on top of the paper, criss-crossing the kindling so that there are air spaces in between. Open the chimney damper fully and light the newspaper. Once the newspaper and the kindling are well ignited, you may close the glass door for a few minutes so that the firebox and chimney of your fireplace can heat up enough for optimal operation. When this heating period is done and the kindling fire is well established, you can operate the fireplace with the firescreen or the glass door depending on your preference and add cordwood as needed.

The unit will burn best with 2-3 pieces of cordwood spaced 1 to 2 inches apart and allowing air to get under the fuel. Criss-crossing or arranging the fuel so that air can get underneath, will help the fire to get started easily.

CAUTION

THE CHIMNEY DAMPER AND THE AIR INTAKE CONTROL MUST BE KEPT FULLY OPEN UNTIL THE FIREPLACE HAS COOLED DOWN.

WARNING

NEVER PUT CORDWOOD IN FRONT OF THE ANDIRONS.

2.2.4 Maintaining the Fire

Once the wood has been consumed (or partially consumed) and you have obtained a good bed of embers, you can reload the unit. In order to do so, proceed by opening the glass door or the screen door for you to have enough free space to reload safely.

Your FP16D – SAINT-LAURENT wood fireplace will work best if a thick bed of hot embers is maintained in the bottom of the firebox and a minimum of two large pieces of seasoned fuel are added. Combustion efficiency is largely related to establishing a hot ember bed, and hot firebox temperatures. The quicker the fireplace and chimney (flue) get up to normal operating temperatures, the better. Use a poker to make an air channel in the embers below the wood. This will allow air to flow under the wood for a more efficient burn.

2.2.5 Air Intake Control and Chimney Damper

When in use, the fireplace chimney damper must be set in the fully open position (**Position +**).

The air intake control and chimney damper should be in the closed position (**Position -**) when there has not been any wood or embers in the fireplace for a few hours. This will minimize cold air leakage from the chimney.

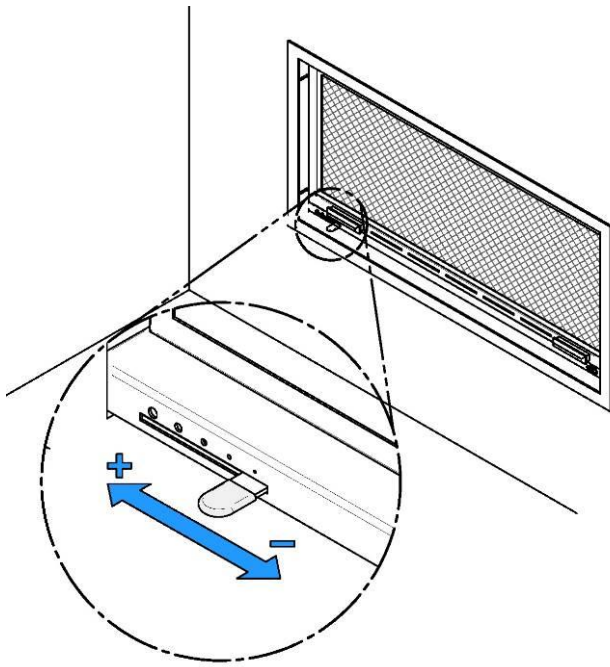


Figure 53 : Air Intake Control

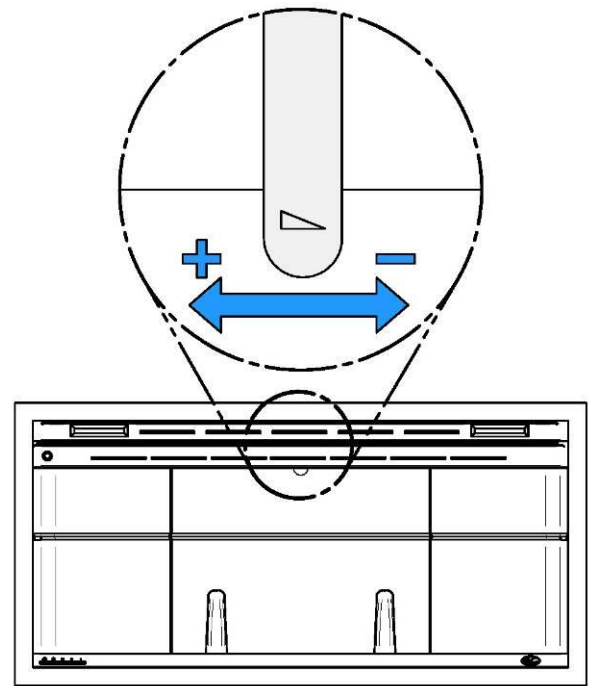


Figure 54 : Chimney Damper

2.2.6 Smoking – Causes and Troubleshooting

Your fireplace has been designed and tested to provide smoke free operation. Occasionally, there may be a small amount of smoking upon lighting the fire, until the chimney heats up, but this should not continue. If the fireplace continues to smoke it is probably for one of the following reasons:

A. Closed chimney damper

Make sure that the chimney damper is in the open position (see 2.2.5 - Air Intake Control and Chimney Damper).

B. Negative pressure in the house

As the fire burns, air goes up the chimney. This air must be replaced through leakage into the house or through the fresh air kit. When operating the FP16D – Saint-Laurent wood fireplace, open a nearby window temporarily to check if there is adequate air supply replacement. If opening a window solves the problem, the house is under negative pressure.

C. Wet wood

Wet or tarred wood will smoulder and smoke instead of burning properly.

D. Dirty or blocked chimney

Check to make sure the chimney is clear and clean.

E. Chimney not long enough

The minimum system height is 15 feet (4.6 m). The chimney must extend at least 3 feet (0,9m) above its point of contact with the roof and at least 2 feet (0.6 m) higher than any roof or wall within 10 feet (3 m) of it. When installed with offsets, the minimum system height is as per Table 2. Additional height will increase draft and will decrease the tendency to smoke.

F. Poor chimney draft

With no fire, there should be sufficient draft to exhaust candle smoke introduced at the bottom of the throat. Chimneys installed against an outside wall without protection may generate back draft problems which will cause start-up problems. To prevent this, when you light a fire make sure you use small pieces of really dry wood and keep your glass door closed for the first 15 minutes. Reload your unit a few times with kindling before putting large pieces of cordwood.

IMPORTANT NOTES

- Do not burn coal. The sulphur in coal will corrode the firebox.
- Do not allow the wood to smoulder or burn without flame, since this will produce excessive creosote in the unit.
- The chimney damper and air intake control should be always in the open position when the fireplace is in use.

2.3 Maintaining Your FP16D – SAINT-LAURENT Wood Fireplace

2.3.1 Creosote – Formation and Need for Removal

When wood is burned slowly without a flame, it produces tar and other organic vapours which combined with expelled moisture will form creosote. The creosote vapours condense in the relatively cool chimney flue of a slow-burning fire. As a result, creosote residue accumulates on the flue lining. When ignited this creosote makes an extremely hot fire. The chimney should be inspected at least twice a year during the heating season to determine if creosote build-up has occurred. When creosote has accumulated it must be removed to reduce the risk of a chimney fire.

2.3.2 Chimney Maintenance

Regular chimney inspection and maintenance combined with proper operation will prevent chimney fires. Keep your chimney clean. Do not allow more than 1/8" (3 mm) creosote build up in your chimney. The amount of creosote will depend on variables such as frequency of use and type of fires. We recommend that you:

- A. Initially inspect the chimney system weekly. From this, you will learn how often it will be necessary to clean your chimney.
- B. Have your chimney cleaned by a qualified chimney sweeper. If you wish to clean it yourself, we recommend using a stiff plastic or non-metallic brush. If a metal brush is used, its size should be slightly smaller than the flue to avoid damaging the chimney. Do not use a brush that will scratch the stainless steel interior of the chimney.
- C. Do not expect chemical cleaners to keep your chimney clean. The rain cap can be removed for inspection and/or cleaning of the chimney.

2.3.3 Dealing With a Chimney Fire

Regular chimney maintenance and inspection can prevent chimney fires. If you have a chimney fire, follow these steps:

1. Close the fireplace glass door and the chimney damper;
2. Alert your family of the possible danger;
3. If you require assistance, alert your fire department;
4. If possible, use a dry chemical fire extinguisher, baking soda or sand to control the fire. Do not use water as it may cause a dangerous steam explosion;
5. Check outside to ensure that sparks and hot embers coming out of the chimney are not igniting the roof;
6. Do not use the fireplace again until your chimney and fireplace have been inspected by a qualified chimney sweeper or a Fire Department Inspector.

2.3.4 Disposal of Ashes

Ashes should be placed in a tightly covered metal container, they should be taken outside immediately. The closed container of ashes should be placed on a non-combustible floor or on the ground well away from all combustible materials pending final disposal. Ashes normally contain some live charcoal that can stay hot for several days. If the ashes are disposed of by burial in soil or otherwise locally dispersed, they should be retained in the closed container until all cinders have thoroughly cooled. Other waste should not be placed in this container.

2.3.5 Refractory Panel Replacement

WARNING

DO NOT USE THE FIREPLACE WITH A BROKEN OR MISSING REFRACTORY PANEL.

When replacing the refractory panels, it is possible that the insulation paper behind them is detached from the walls of firebox. You must properly position the insulation paper or get a new one from your dealer before putting the new refractory panels.

To replace the refractory panels of your FP16D – SAINT-LAURENT, see section **1.3.17 - Moulded Refractory Brick Panels Installation and follow the steps in reverse.**

2.3.6 Glass Replacement

The glass used in the FP16D – SAINT-LAURENT fireplace is ceramic glass 5 mm thick having dimensions of: 42" x 13 13/16" and tested to reach temperatures up to 1400 °F. If the glass breaks, it must be replaced with one having the same specification. Contact your Valcourt dealer to obtain a genuine replacement part (see "**Replacement parts**" section, to get the proper part number).

DANGER

- **TEMPERED GLASS OR ORDINARY GLASS WILL NOT WITHSTAND THE HIGH TEMPERATURES OF THE FP16 – SAINT-LAURENT WOOD FIREPLACE.**
- **DO NOT ABUSE THE GLASS DOOR BY SLAMMING IT AGAINST THE FIREPLACE.**
- **DO NOT OPERATE THE FIREPLACE WITH A CRACKED OR BROKEN GLASS.**

2.3.6.1 Replacement steps

Here are the steps to replace the glass of your FP16D SAINT-LAURENT wood fireplace:

WARNING

WHEN YOU REMOVE THE GLASS FROM ITS FRAME, DUE TO ITS WEIGHT, THE DOOR WILL SEEK TO GO UPWARDS QUICKLY.

1. Open the glass door (A) with the lock located (E) on right side of the glass door.

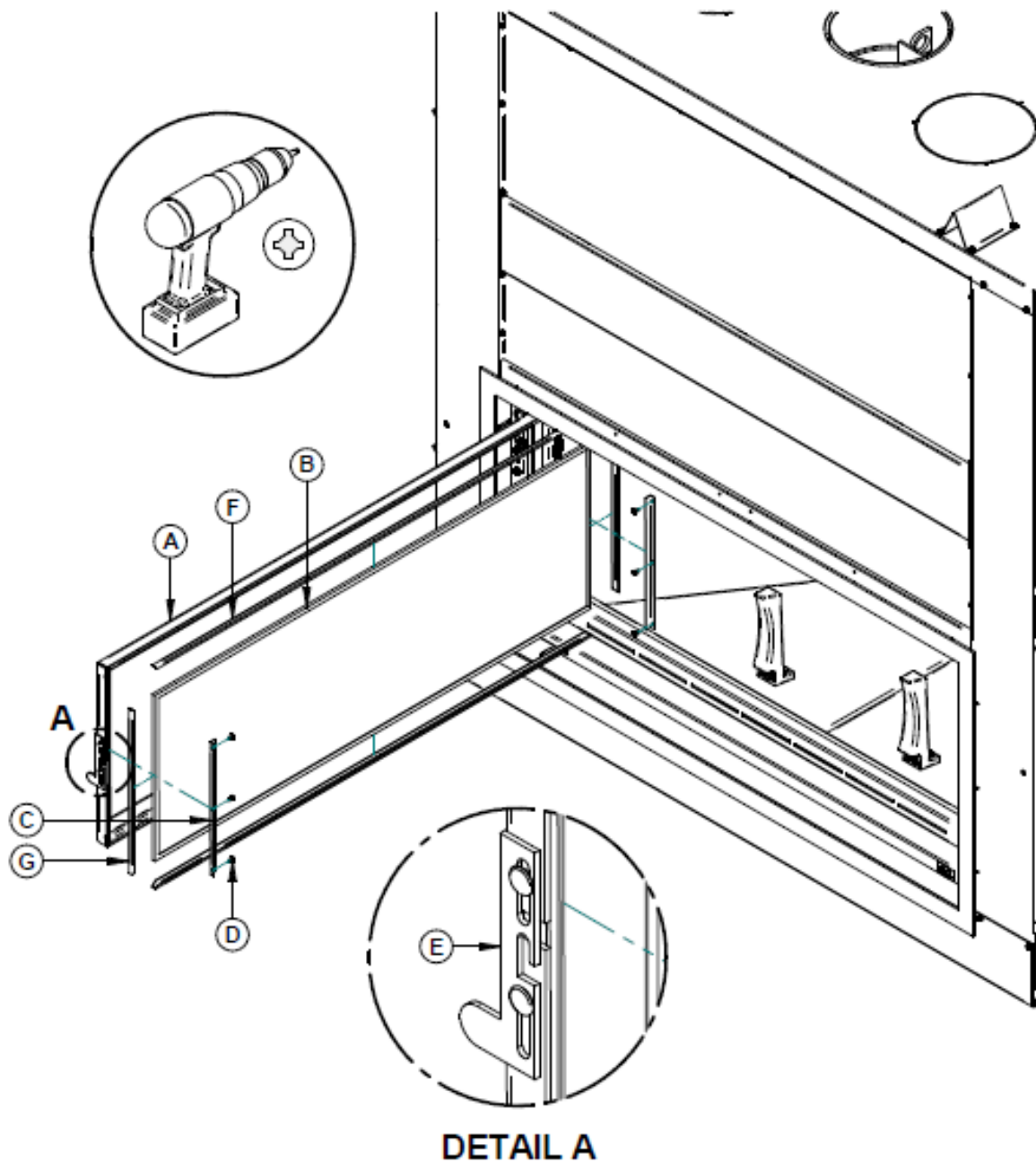


Figure 55 : Glass replacement

2. Insert the removable handle that allows you to open the fireplace's glass door in the hole provided for this purpose, in the bottom left corner of the door frame (see picture).

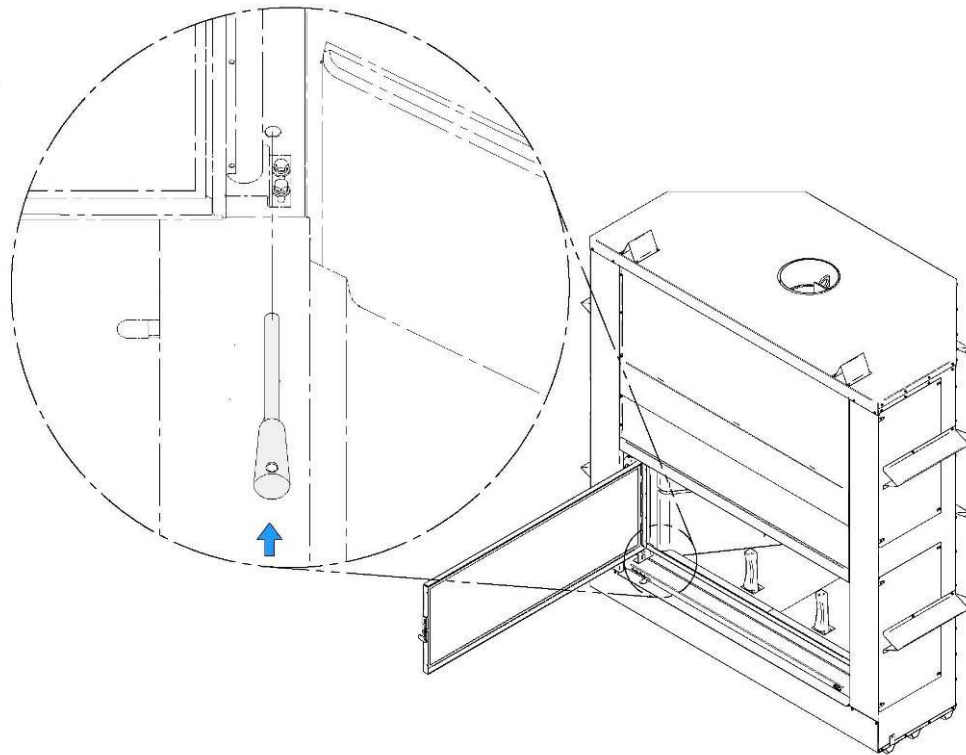


Figure 56 : Removable handle

3. Remove the 6 screws that secure the 2 glass retainers.
4. Remove the 4 gasket retainers **(F) (G)**.
5. Remove all debris from the frame.
6. Use only 3/16" (5 mm) ceramic glass.
7. Slide the new window into the frame **(A)**, place the gasket retainers **(F) (G)** and fasten it in place with the screws removed earlier **(D)** and the glass retainers **(C)**.
8. Handle the glass with care to avoid injury.

2.3.7 Replacing the Glass Gasket

It might be necessary to replace the glass gasket from time to time. The gasket is flat, adhesive-backed, woven fibreglass. Follow the instructions from section **2.3.6 - Glass Replacement** to remove and reinstall the glass.

The gasket must be centred on the edge of the glass. To do this easily, peel back a section of the paper covering the adhesive and place the gasket on a table with the adhesive side up. Stick the end of the gasket to the middle of one edge, then press the edge of the glass down onto the gasket, taking care that it is perfectly centred on the gasket. Peel off more of the backing and rotate the glass and press the next section onto the gasket. Do not stretch the gasket as you place it. Do not apply the gasket on the center edge of the glass. Now pinch the gasket to the glass in a U shape, all around the glass. Reinstall the glass, being careful to centre the glass carefully in the door. Do not over-tighten the screws.

Note that the two main causes of broken door glass are uneven placement in the door and over-tightening of retaining screws.

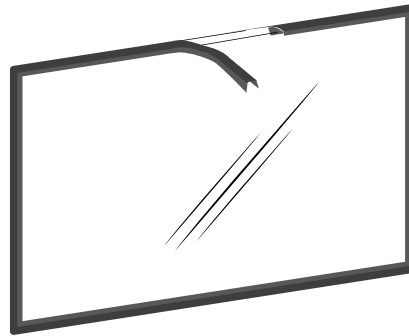


Figure 57 : Glass gasket

Location	Length	Dimension
Around glass	112" (284 cm)	"U" shaped

2.3.8 Plated Finish Maintenance

If your appliance has a plated finish, use a metal polish and a soft cloth to clean it. Do not use abrasives such as steel wool, steel pads or an abrasive cleaner for they may scratch the finish.

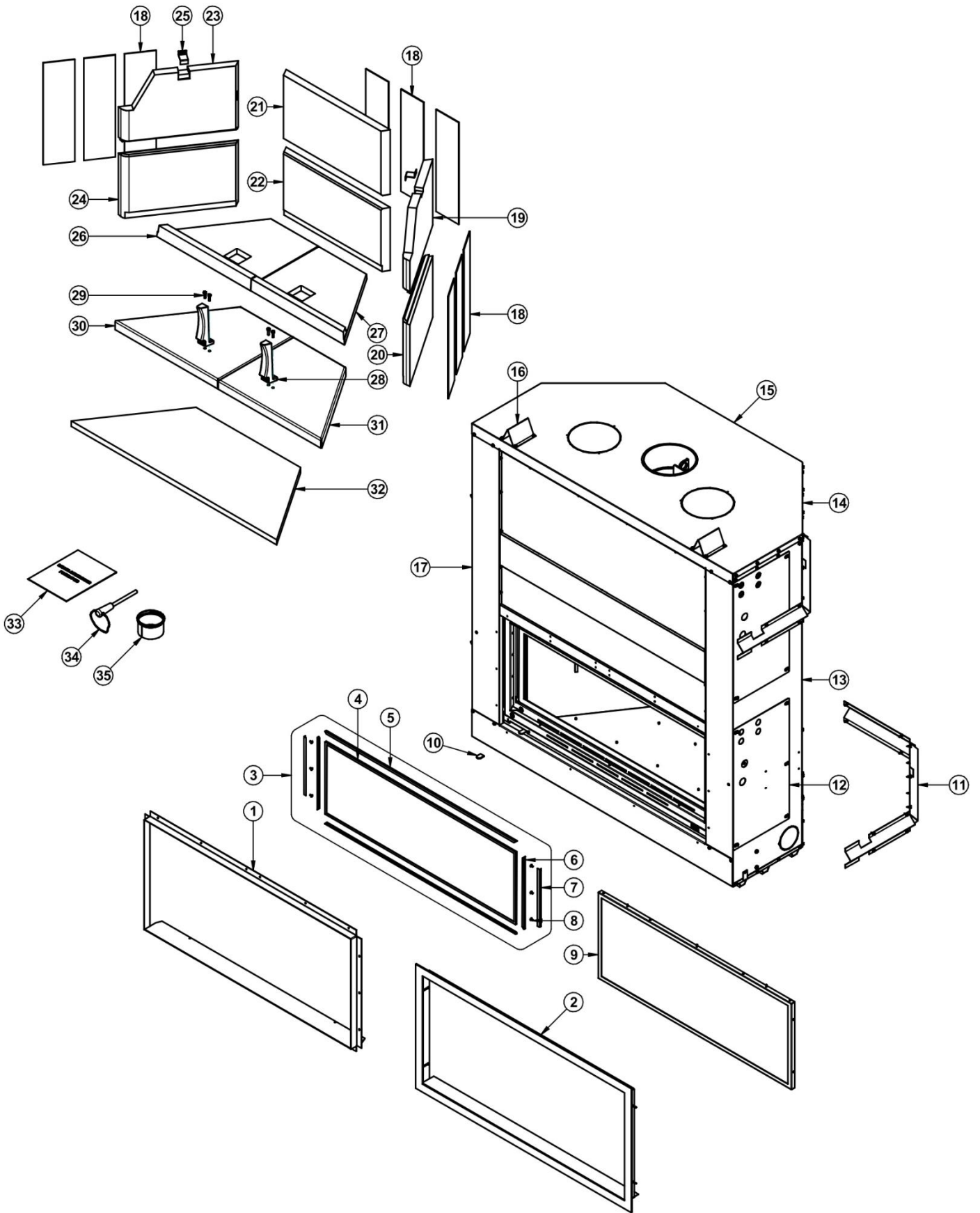
2.3.9 Glass Care – Cleaning

To clean the glass, there are a number of specially designed cleaners. Your authorized Valcourt dealer can recommend a suitable cleaner which is available in your area. Regular household glass cleaners will not clean creosote and they usually contain ammonia that may stain the glass permanently.

WARNING

- **ONLY WASH THE GLASS WHEN THE FIREPLACE IS COLD.**
- **DO NOT USE ABRASIVES SUCH AS STEEL PADS, STEEL WOOL OR OVEN CLEANER AS THEY WILL SCRATCH THE GLASS.**

APPENDIX 1: EXPLODED DIAGRAM AND PARTS LIST



IMPORTANT: THIS IS DATED INFORMATION. When requesting service or replacement parts for your fireplace, please provide the model number and the serial number. We reserve the right to change parts due to technology upgrade or availability. Contact an authorized dealer to obtain any of these parts. Never use substitute materials. Use of non-approved parts can result in poor performance and safety hazards.

#	Item	Description	Qty
1	VA16DTR	BLACK STRAIGHT MASONRY TRIM (Gives a flush finish with brick or stone)	1
2	VA16FE06	BLACK STRAIGHT NARROW OVERLAP (To overlap thin facing materials like tile)	1
3	SE63940	CERAMIC GLASS WITH GASKET	1
4	AC06400	3/4" (FLAT) X 6' BLACK SELF-ADHESIVE GLASS GASKET	1
5	PL73633	GASKET RETAINER	2
6	PL73706	GASKET RETAINER	2
7	PL63914	GLASS RETAINER	2
8	30354	THREAD SCREW 8-32 X 5/16" TYPE F TRUSS QUADREX STEEL C1022 ZINC	6
9	SE73674	SCREEN DOOR	1
10	30556	AIR CONTROL FINISHING TIP	1
11	PL73663	STANDOFF	4
12	PL73688	COUNTERWEIGHT ACCESS DOOR	4
13	PL73684	RIGHT SIDE JACKET	1
14	PL73687	TOP SIDE JACKET	1
15	PL73685	BACK SIDE JACKET	1
16	PL63581	TOP SPACER	2
17	PL73683	LEFT SIDE JACKET	1
18	21394	SIDE AND REAR REFRACTORY PANEL INSULATION	9
19	22247	TOP RIGHT REFRACTORY PANEL	1
20	22213	RIGHT BOTTOM REFRACTORY PANEL	1
21	22211	BACK TOP REFRACTORY PANEL	1
22	22214	BACK BOTTOM REFRACTORY PANEL	1
23	22248	LEFT TOP REFRACTORY PANEL	1
24	22212	LEFT BOTTOM REFRACTORY PANEL	1
25	PL64601	REFRACTORY PANEL RETAINER	2
26	22199	LEFT FLOOR REFRACTORY PANEL	1
27	22207	RIGHT FLOOR REFRACTORY PANEL	1
28	VA7070	PAINTED CAST IRON ANDIRON	2
29	30109	BOLT HEX. 1/4" – 20 X 1"	4
30	PL63952	LEFT HAND DOUBLE BOTTOM	1
31	PL63953	RIGHT HAND DOUBLE BOTTOM	1
32	21304	FLOOR REFRACTORY INSULATION	1
33	SE46382	FP16D INSTRUCTION MANUAL	1
34	SE64628	MOVING HANDLE	1
35	PL63954	4" ADAPTOR	1

VALCOURT LIMITED LIFETIME WARRANTY

The warranty of the manufacturer extends only to the original consumer purchaser and is not transferable. This warranty covers brand new products only, which have not been altered, modified nor repaired since shipment from factory. Products covered under this warranty must have been manufactured after the revision date indicated below. Proof of purchase (dated bill of sale), model name and serial number must be supplied when making any warranty claim to your VALCOURT dealer.

This warranty applies to normal residential use only. Damages caused by misuse, abuse, improper installation, lack of maintenance, over firing, negligence or accident during transportation, power failures, downdrafts, or venting problems are not covered by this warranty.

This warranty does not cover any scratch, corrosion, distortion, or discoloration. Any defect or damage caused by the use of unauthorized parts or others than original parts void this warranty. An authorized qualified technician must perform the installation in accordance with the instructions supplied with this product and all local and national building codes. Any service call related to an improper installation is not covered by this warranty.

The manufacturer may require that defective products be returned or that digital pictures be provided to support the claim. Returned products are to be shipped prepaid to the manufacturer for investigation. If a product is found to be defective, the manufacturer will repair or replace such defect. Transportation fees to ship the product back to the purchaser will be paid by the manufacturer. Repair work covered by the warranty, executed at the purchaser's domicile by an authorized qualified technician requires the prior approval of the manufacturer. Labour cost and repair work to the account of the manufacturer are based on predetermined rate schedule and must not exceed the wholesale price of the replacement part. All parts and labour costs covered by this warranty are limited according to the table below.

The manufacturer at its discretion may decide to repair or replace any part or unit after inspection and investigation of the defect. The manufacturer may, at its discretion, fully discharge all obligations with respect to this warranty by refunding the wholesale price of any warranted but defective parts. The manufacturer shall in no event be responsible for any special, indirect, consequential damages of any nature, which are in excess of the original purchase price of the product. A one-time replacement limit applies to all parts benefiting from a lifetime coverage. This warranty applies to products purchased after October 1st, 2011.

DESCRIPTION	WARRANTY APPLICATION	
	PARTS	LABOUR
Combustion chamber (welds only), castings, convector air-mate, and ceramic glass*.	Lifetime	4 years
Plating* (defective manufacture) – subject to limitations above.	Lifetime	n/a
Stainless steel firebox components, surrounds and heat shields, ash drawer, steel legs, pedestal, trims (aluminum extrusions), C-Cast baffle*, vermiculite baffle* and secondary air tubes*.	5 years	3 years
Carbon steel firebox components, glass retainers, and handle assembly.	3 years	2 years
Blowers, heat sensors, switches, rheostat, wiring, and other controls.	2 years	1 year
Paint (peeling), gaskets, insulation, refractory panels* and ceramic fibre blankets.	1 year	n/a

**Pictures required*

Shall your unit or a components be defective, contact immediately your **VALCOURT** dealer. Prior to your call make sure you have the following information necessary to your warranty claim treatment:

- Your name, address and telephone number;
- Bill of sale and dealer's name;
- Installation configuration;
- Serial number and model name as indicated on the nameplate fixed to the back of your unit;
- Nature of the defect and any relevant information.

Before shipping your unit or defective component to our plant, you must obtain from your VALCOURT dealer an Authorization Number. Any merchandise shipped to our plant without authorization will be refused automatically and returned to sender.