

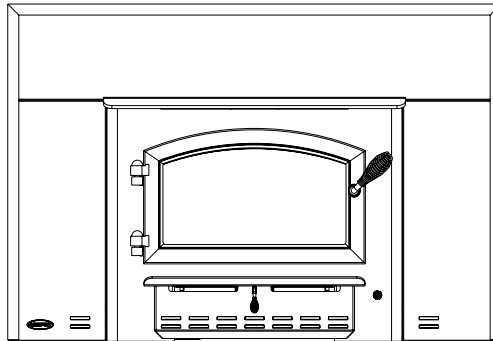
QUADRA-FIRE®

2700-I ACT WOOD INSERT

Advanced Combustion Technology (ACT)

Model:

2700-I



Tested and
Listed by  Portland
Oregon USA
C US
OMNI-Test Laboratories, Inc.

NOTICE



DO NOT DISCARD THIS MANUAL

- Important operating and maintenance instructions included.
- Read, understand and follow these instructions for safe installation and operation.
- Leave this manual with party responsible for use and operation.



WARNING



If the information in these instructions is not followed exactly, a fire may result causing property damage, personal injury, or death.

- Do not store or use gasoline or other flammable vapors and liquids in the vicinity of this or any other appliance.
- Do not overfire - If heater or chimney connector glows, you are overfiring. Overfiring will void your warranty.
- Comply with all minimum clearances to combustibles as specified. Failure to comply may cause house fire.

WARNING



HOT SURFACES!

GLASS AND OTHER SURFACES ARE HOT DURING OPERATION AND COOL DOWN.

Hot glass will cause burns.

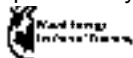
- Do not touch glass until it is cooled
- NEVER allow children to touch glass
- Keep children away
- CAREFULLY SUPERVISE children in the same room as appliance
- Alert children and adults to hazards of high temperatures

High temperatures may ignite clothing or other flammable materials.

- Keep clothing, furniture, draperies and other combustibles away.



Installation and service of this appliance should be performed by qualified personnel. Hearth & Home Technologies recommends NFI certified professionals, or technicians supervised by an NFI certified professional.




WARNING



Fire Risk.

For use with solid wood fuel only. Other fuels may overfire and generate poisonous gases (i.e. carbon monoxide).

Congratulations 
and Welcome to the Quadra-Fire Family!


Hearth & Home Technologies welcomes you to our tradition of excellence! In choosing a Quadra-Fire appliance, you have our assurance of commitment to quality, durability, and performance.

This commitment begins with our research of the market, including 'Voice of the Customer' contacts, ensuring we make products that will satisfy your needs. Our Research and Development facility then employs the world's most advanced technology to achieve the optimum operation of our stoves, inserts and fireplaces. And yet

we are old-fashioned when it comes to craftsmanship. Each unit is meticulously fabricated and surfaces are hand-finished for lasting beauty and enjoyment. Our pledge to quality is completed as each model undergoes a quality control inspection.

We wish you and your family many years of enjoyment in the warmth and comfort of your hearth appliance. Thank you for choosing Quadra-Fire

SAMPLE OF SERIAL NUMBER / SAFETY LABEL
LOCATION: On beaded chain under the ashlip




CAUTION: HOT WHILE IN OPERATION DO NOT TOUCH, CONTACT MAY CAUSE SKIN BURNS. KEEP FURNISHINGS AND OTHER COMBUSTIBLE MATERIAL FAR AWAY FROM THE APPLIANCE. SEE NAMEPLATE AND INSTRUCTIONS.

QUADRA-FIRE

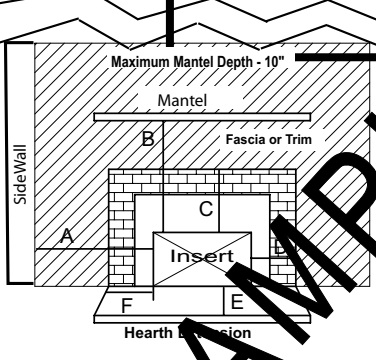
Model: 2700-I
INSERT

Serial No / Numéro De Série
007

Tested and Listed by  Beaverlton Oregon USA
OMNI-Test Laboratories, Inc.
Report #061-S-52-2
TESTED TO:
UL 1482, ULC S628

LISTED ROOM HEATER, SOLID FUEL TYPE. "For Use with Solid Wood Fuel Only."
Also for use in Mobile Home.

PREVENT HOUSE FIRES



Maximum Mantel Depth - 10"

Mantel

Fascia or Trim

SideWall

Insert

Hearth Extension


Minimum Clearances to Combustible Material (Mantel, Siding, Heat Circulating & Zero Clearance *
Refer to clearance ~~USA~~ reverse side for Canada

A	Sidewall to Stove	14" (356mm)
B	Mantel to Stove	21" (533mm)
C	Trim to Stove	14" (356mm)
D	Side Trim to Stove	9" (229mm)
E	Hearth Extension from Glass	16" (200mm)
F	Hearth Extension from Side of Insert	9" (229mm)

*Max 3/4" (19mm) Trim Depths
**Max 3-1/5" (89mm) Trim Depths

Thermal Protection USA & Canada
Thermal protection must be 1/4" (6.35mm) minimum thickness ("k" value = 0.84)

*Zero Clearance Installations USA Only

Manufactured by: 
1445 North Highway, Colville, WA 99114
www.quadrafire.com

DO NOT REMOVE THIS LABEL
Made in U.S.A.

U.S. ENVIRONMENTAL PROTECTION AGENCY - Certified to comply with July 1990 particulate emission standards.

2006	2007	2008	Jan	Feb	Mar	Apr	May	June	July	Aug	Sept	Oct	Nov	Dec
■	■	■	■	■	■	■	■	■	■	■	■	■	■	■

7007-162E

— Serial Number

— Model Name

— Test Lab & Report No.

— Manufactured Date

TABLE OF CONTENTS

SAFETY & OVERVIEW OF APPLIANCE

Location of Serial Number Label ----- 2
 Dimensions----- 4
 Minimum Clearances to Combustibles----- 4
 Listings ----- 5
 Chimney Height & Draft and 2-10-3 Rule ----- 5
 Installation Recommendations ----- 5
 Alternate Floor Protection Worksheet ----- 6
 Design, Installation & Location ----- 6
 Chimney Requirements ----- 7
 Ovalizing Round Stainless Steel Liners ----- 7

INSTALLATION OPTIONS

Mobile Home----- 8
 Masonry Fireplace----- 9
 Metal Heat Circulating Masonry ----- 9
 Factory-Built Zero Clearance Fireplace----- 10
 Canadian Masonry & Heat Circulating ----- 11
 Door Handle Assembly----- 11
 Leveling Legs----- 11

PARTS & ACCESSORY INSTALLATION

Quick Connect Collar (Optional)----- 12
 Outside Air Installation ----- 12
 Panel Sets and Trim Sets ----- 13
 Top Installation ----- 14
 Fan (Blower) Assembly (Optional) ----- 14
 Fan Speed Control Adjustment ----- 14
 Zero Clearance Adjustable Trim Support----- 15

OPERATION OVERVIEW

Wood Selection and Storage----- 16
 Overfiring ----- 16
 Building A Fire ----- 16
 Operating Tips----- 17
 Burn Rates ----- 17
 Opacity ----- 17
 Fan Operation Instructions----- 17
 Ash Removal ----- 17
 Air Quality ----- 18
 Air Controls, Primary & Start-Up----- 18

MAINTENANCE

Plated Surfaces ----- 19
 Glass Cleaning & Replacement ----- 19
 Creosote Formation & Removal ----- 19
 Chimney Cleaning----- 19
 Brick Replacement ----- 20
 Baffle Removal ----- 20
 Exploded View ----- 21

PARTS & ACCESSORIES LIST ----- 22
WARRANTY POLICY ----- 25
SERVICE & MAINTENANCE LOG ----- 26
CONTACT INFORMATION..... 28

DIMENSIONS

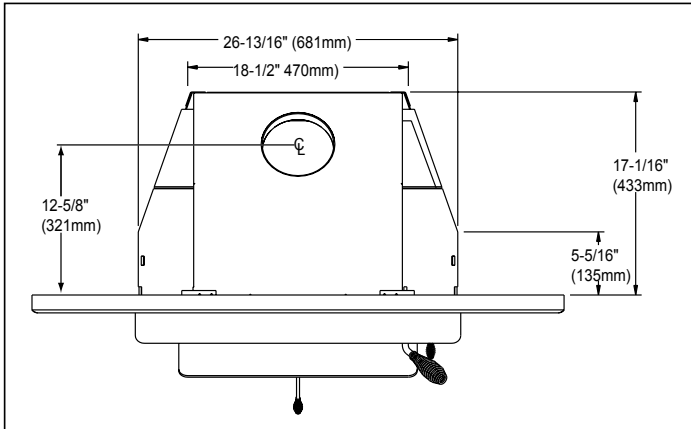


Figure 4.1 Top View

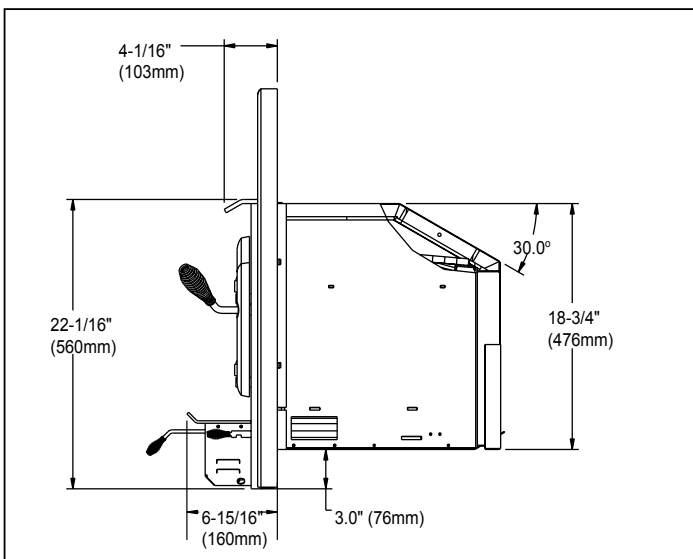


Figure 4.2 Side View

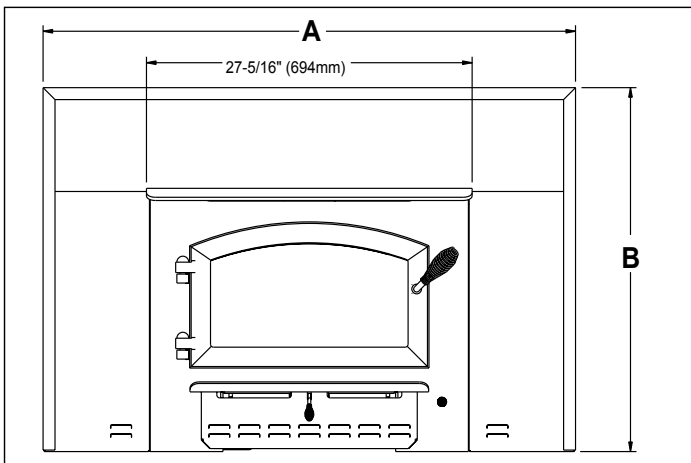
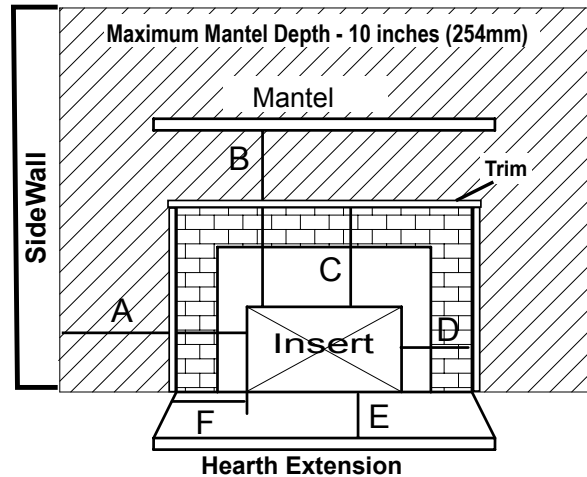


Figure 4.3 Front View

Panel Size	Inches		Millimeters	
	A	B	A	B
Standard	44-5/8	30-1/2	113	775
Large	50-1/2	34-1/2	1283	876

CLEARANCES TO COMBUSTIBLES

United States and Canada



Omni Report #060-S-52-2

	USA	CANADA
A Sidewall to Stove	14" (356mm)	14" (356mm)
B Mantel to Stove	21" (533mm)	21" (533mm)
C *Top Trim to Stove	14" (356mm)	14" (356mm)
D **Side Trim to Stove	9" (229mm)	9" (229mm)
E Hearth Extension from Glass	16" (406mm)	18" (450mm)
F Hearth Extension from Side of Insert	9" (220mm)	9" (229mm)

*Max 3/4 inch (19mm) trim depths
 **Max 3-1/2 inch (89mm) trim depths

Thermal Protection USA & Canada
 Thermal protection must be 1/4 inch (6.35mm) minimum thickness ("k" value = 0.84) or equivalent material***

ZERO CLEARANCE INSTALLATIONS USA ONLY

***See Alternative Floor Protection Worksheet on page 6.

In Canada a full length 6 inch (152mm) S635 flue liner required as per ULC S628.

NOTE: When installing into a masonry fireplace, the fireplace must be built to national and/or local codes. Do not remove brick or mortar from masonry fireplace to accommodate insert. The permanent metal warning plate provided must be attached to the back of the fireplace stating the fireplace may have been altered to accommodate the insert and must be returned to original condition for use as a conventional fireplace.

NOTE: This installation must conform with local codes. In the absence of local codes you must comply with the **UL1482, (UM) 84-HUD and NPFA211** in the U.S.A. and the **ULC S627 and CAN/CSA-B365 Installation Codes in Canada.**

NOTE: Hearth & Home Technologies, manufacturer of this appliance, reserves the right to alter its products, their specifications and/or price without notice.

LISTINGS

These installation instructions describe the installation and operation of the Quadra-Fire 2700-I Wood Insert. This insert meets the U.S. Environmental Protection Agency's 1990 particulate emission standards. The 2700-I is listed by OMNI-Test Laboratories, Inc. (Report No. 061-S-52-2), to UL Safety Standard 1482, and ULC S628-93, and (UM) 84-HUD. The 2700-I is approved for mobile home installations when not installed in a sleeping room and when an outside combustion air inlet is provided. The structural integrity of the mobile home floor, ceiling, and walls must be maintained. The insert must be properly grounded to the frame of the mobile home.

Check with your local building code agency before you begin your installation to ensure compliance with local codes, including the need for permits and follow-up inspections. Be sure local building codes do not supersede UL specifications. Always obtain a building permit so that insurance protection benefits cannot be unexpectedly cancelled. If any assistance is required during installation, please contact your local dealer.

CHIMNEY HEIGHT/DRAFT

To be sure that your Quadra-Fire insert burns properly, the chimney draft (static pressure) should be approximately -0.10 inches water column (W.C.) during a high burn and -0.04 inches W.C. during a low burn, measured 6 inches (152mm) above the top of the insert after one hour of operation at each burn setting.

NOTE: These are guidelines only, and may vary somewhat for individual installations.

Your Quadra-Fire insert was designed for and tested on a 6 inch (152mm) chimney, 12 ft-14 ft (360-420cm) high, measured from the base of the insert. In addition, exterior conditions such as roof line, surrounding trees, prevailing winds and nearby hills can influence insert's performance. Your local dealer is the expert in your geographic area and can usually make suggestions or discover solutions that will easily correct your flue problem.

A masonry chimney or a listed factory-built UL103 HT Class "A" chimney must be the required height above the roof and any other nearby obstructions. The chimney must be at least 3 ft (91cm) higher than the highest point where it passes through the roof and at least 2 ft (61cm) higher than the highest part of the roof or structure that is within 10 ft (305cm) of the chimney, measured horizontally. **See 2-10-3 Rule (Figure 5.1). These are safety requirements and are not meant to assure proper flue draft.**

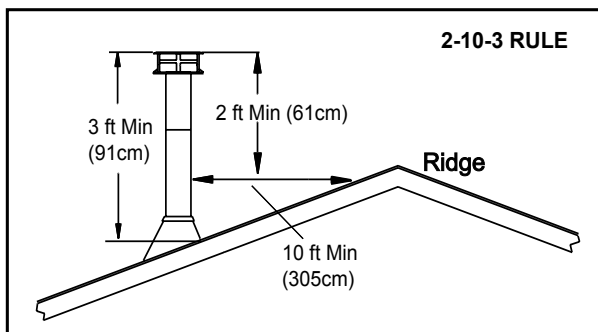


Figure 5.1

CHIMNEY HEIGHT/DRAFT (CONT'D)

AVOID FIRE: To ensure that insulation or any other combustible material does not contact the chimney, a chimney inside the house must have at least 2 inches (51mm) of air space clearance around the chimney. A chimney outside the house must have at least 1 inch (25mm) clearance to the combustible structure. Non-combustible fire stops must be installed at the spaces where the chimney passes through floors and/or ceilings. **Refer to Figures 7.1 & 7.2 on page 7. Canadian installations require a full relining of the chimney.**

NOTE: Clearances may only be reduced by means approved by the regulatory authority having jurisdiction.

WE RECOMMEND that a qualified building inspector and your insurance company representative review your plans before installation.

INSTALLATION RECOMMENDATIONS

The Quadra-Fire 2700-I Insert has met and surpassed the most stringent emissions standards in the United States. The sophistication of the interior firebox design requires that a proper draft be supplied by the chimney, therefore adherence to the following factors will enable your insert to operate at its optimum capability.

REQUIRED: Direct connection to the first flue liner in accordance with the requirements of the NFPA 211. In USA a full chimney liner for factory-built fireplaces is recommended but is required in Canada.

BEST: A complete relining of the chimney system with a 6 inch (152mm) diameter listed, stainless liner. Required for factory-built fireplace installations in Canada, recommended in USA. The sections must be attached to the insert and to each other with the crimped (male) end pointing toward the insert. See **Figure 5.2**. All joints, including the connection at the flue collar, should be secured with three sheet metal screws. Make sure to follow the minimum clearances to combustibles as set out on **page 4** of the manual.

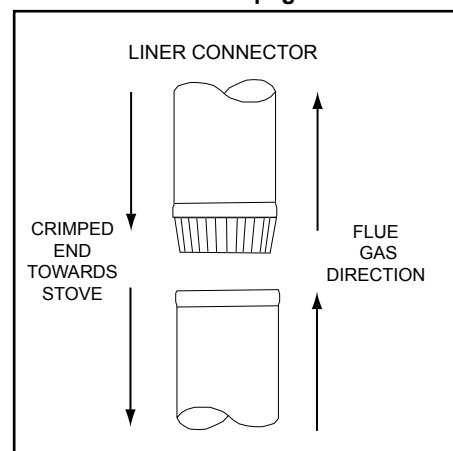


Figure 5.2

	WARNING
	<p>Fire Risk.</p> <ul style="list-style-type: none"> • Comply with all minimum clearances to combustibles as specified. • Failure to comply may cause house fire.

CALCULATING ALTERNATE FLOOR PROTECTION

Material

Thermal Conductivity: k value

The k value indicates the amount of heat (in BTU's) that will flow in 1 hour through 1 square foot of a uniform material 1 inch thick for each degree (F) of temperature difference from one side of the material to the other. The LOWER the k factor means less heat is being conducted through the non-combustible material to the combustible material beneath it. The k value of a material must be equal or smaller then the required k value to be acceptable.

$$\frac{(\text{BTU}) (\text{inch})}{(\text{foot}^2 (\text{hour}) (^\circ\text{F}))}$$

Thermal Resistance: R value

The R value is a measure of a material's resistance to heat transfer. R value is convenient when more than one material is used since you can add the R values together, whereas you can not do this for k value. The HIGHER the R factor means less heat is being conducted through the non-combustible material to the combustible material beneath it. The R value of a material must be equal or larger then the required R value to be acceptable.

Converting k to R:

Divide 1 by k and multiply the results times the thickness in inches of the material.

$$R = 1/k \times \text{inches of thickness}$$

Converting R to k:

Divide the inches of thickness by R.

$$k = \text{inches of thickness}/R$$

Calculations:

Example: Floor protection requires k value of 0.84 and 3/4 inch thick.

Alternative material has a k value of 0.6 and is 3/4 inch thick.

Divide 0.6 by .75 = k value of 0.80. This k value is smaller than 0.84 and therefore is acceptable.

DESIGN, INSTALLATION & LOCATION



Consideration must be given to:



- Safety
- Convenience
- Traffic flow
- Chimney and chimney connector required



It is a good idea to plan your installation on paper, using exact measurements for clearances and floor protection, before actually beginning the installation. If you are not using an existing chimney, place the appliance where there will be a clear passage for a factory-built listed chimney through the ceiling and roof.

We recommend that a qualified building inspector and your insurance company representative review your plans before and after installation.

If this appliance is in an area where children may be near it is recommended that you purchase a decorative barrier to go in front of the appliance. Remember to always keep children away while it is operating and do not let anyone operate this appliance unless they are familiar with these operating instructions.

	 WARNING
	<p>Fire Risk.</p> <p>Hearth & Home Technologies disclaims any responsibility for, and the warranty will be voided by, the following actions:</p> <ul style="list-style-type: none"> • Installation and use of any damaged appliance. • Modification of the appliance. • Installation other than as instructed by Hearth & Home Technologies. • Installation and/or use of any component part not approved by Hearth & Home Technologies. • Operating appliance without fully assembling all components. • Operating appliance without legs attached (if supplied with unit). • Do NOT Overfire - If appliance or chimney connector glows, you are overfiring. <p>Any such action that may cause a fire hazard.</p>

	 WARNING
	<p>Fire Risk.</p> <p>Inspect appliance and components for damage. Damaged parts may impair safe operation.</p> <ul style="list-style-type: none"> • Do NOT install damaged components. • Do NOT install incomplete components. • Do NOT install substitute components. <p>Report damaged parts to dealer.</p>

	WARNING
	<p>Asphyxiation Risk.</p> <ul style="list-style-type: none"> • Do NOT connect this unit to a chimney flue servicing another appliance. • Do NOT connect to any air distribution duct or system. <p>May allow flue gases to enter the house.</p>

CHIMNEY REQUIREMENTS

WARNING

Fire Risk.
Follow Chimney Connector Manufacturer's Instructions for Proper Installation.

ONLY use connector:

- Within the room, between appliance and ceiling or wall.

Connector shall NOT pass through:

- Attic or roof space
- Closet or similar concealed space
- Floor or ceiling

Maintain minimum clearances to combustibles

OVALIZING ROUND STAINLESS STEEL LINERS

Ovalizing round stainless steel liners to accommodate the liner passing through the damper region of a fireplace is an allowable and acceptable practice.

Ensure that the ovalization is minimized to the extent required to fit through the damper.

WARNING

Fire Risk.
Do NOT pack insulation or other combustibles between spacers.

- ALWAYS maintain specified clearances around venting and spacers.
- Install spacers as specified.

Failure to keep insulation or other material away from vent pipe may cause fire.

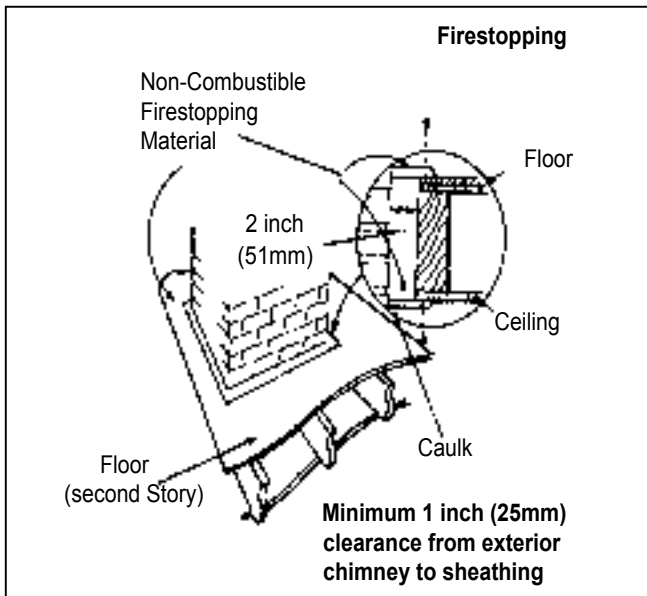


Figure 7.1

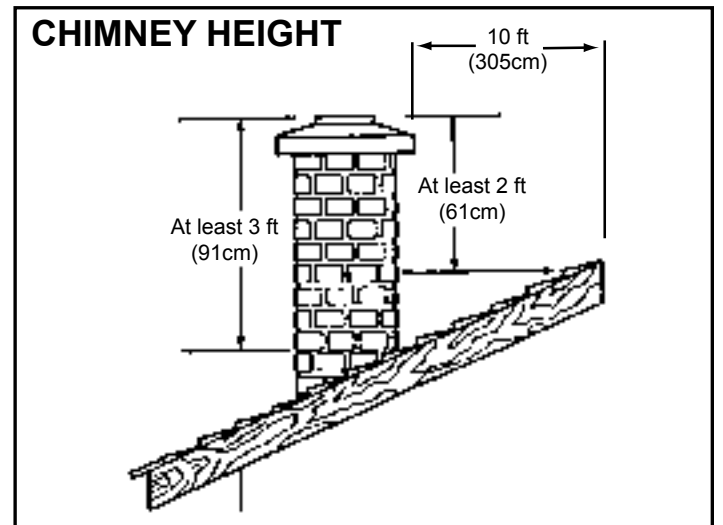


Figure 7.3 - 2-10-3 Rule

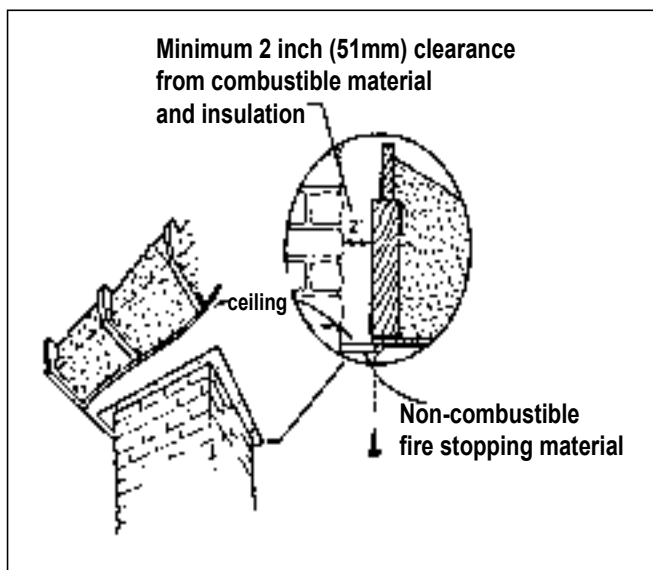


Figure 7.2

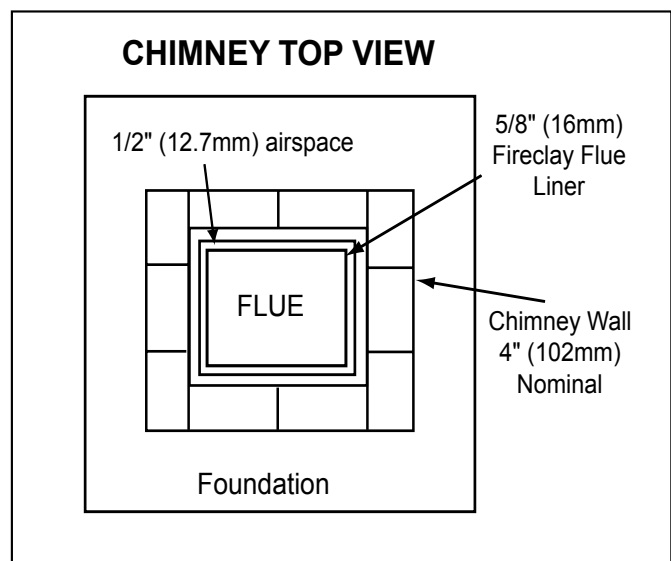


Figure 7.4

INSTALLATIONS INTO MOBILE HOMES

1. An outside air inlet must be provided for combustion. See **page 12** for installation information.
2. Appliance must be secured to the mobile home structure by bolting the pedestal through hearth pad and into floor.
3. Appliance must be grounded with #8 solid copper grounding wire or equivalent and terminated at each end with N.E.C. approved grounding device.
4. Appliance must be installed with an approved UL103 HT ventilated chimney connector, UL103 HT chimney, and terminal cap with spark arrestor. Never use a single wall connector (stove pipe) in a mobile home installation. Use only double-wall connector pipe, Dura-Vent DVL, Selkirk metalbestos DS or Security DL double-wall connector or any listed double-wall connector pipe.
5. In Canada, this appliance must be connected to a 6 inch (152mm) factory-built chimney conforming to CAN/ULC-629M, STANDARD FOR FACTORY BUILT CHIMNEYS.
6. Follow the chimney and chimney connector manufacturer's instructions when installing the flue system for use in a mobile home.
7. Maintain clearance to combustibles.
8. Floor protection requirements must be followed precisely.
9. Use silicone to create an effective vapor barrier at the location where the chimney or other component penetrates to the exterior of the structure.

NOTE: Offsets from the vertical, not exceeding 45°, are allowed per Section 905(a) of the Uniform Mechanical Code (UMC). Offsets greater than 45° are considered horizontal and are also allowed, providing the horizontal run does not exceed 75% of the vertical height of the vent. Construction, clearance and termination must be in compliance with the UMC Table 9C. This installation must also comply with NFPA 211.

NOTE: Top sections of chimney must be removable to allow maximum clearance of 13.5 feet (411cm) from ground level for transportation purposes.

10. Burn wood only. Other types of fuels may generate poisonous gases (e.g., carbon monoxide).
11. If unit burns poorly while an exhaust blower is on in home, (i.e., range hood), increase combustion air.
12. Installation shall be in accordance with the Manufacturers Home & Safety Standard (HUD) CFR 3280, Part 24.

1. An outside air inlet must be provided for combustion and must remain clear of leaves, debris, ice and/or snow. It must be unrestricted while unit is in use to prevent room air starvation which can cause smoke spillage and an inability to maintain a fire. Smoke spillage can also set off smoke alarms.
2. Unit must be secured to the mobile home structure.

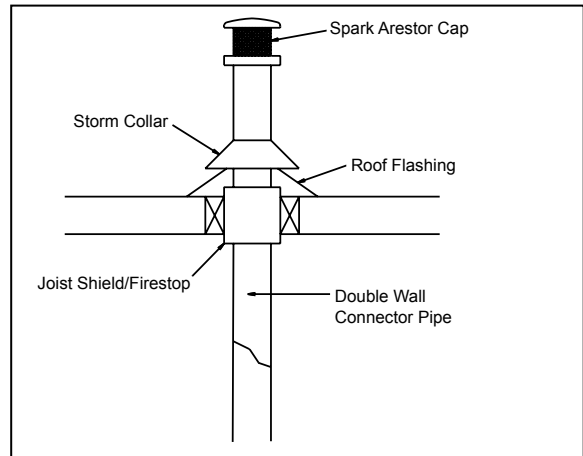


Figure 8.1

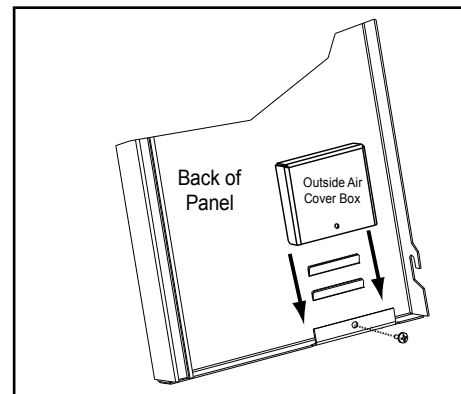


Figure 8.2 - Installing Outside Air Cover Box

CAUTION

Maintain structural integrity of mobile home:

- Floor, wall, ceiling and/or roof.

Do NOT cut through:

- Floor joist, wall, studs or ceiling trusses.
- Any supporting material that would affect the structural integrity.



WARNING



Fire Risk.

Asphyxiation Risk.

Do not draw outside combustion air from:

- Wall, floor or ceiling cavity
- Enclosed space such as an attic or garage
- Close proximity to exhaust vents or chimneys.



Fumes or odor may result

	WARNING
	<p>Asphyxiation Risk.</p> <ul style="list-style-type: none"> • Never install in a sleeping room. Consumes oxygen in the room.

**MASONRY FIREPLACE
USING DIRECT-CONNECT METHOD**

The Quadra-Fire 2700-I Insert conforms with the UL Standard for Safety 1482 and ULC S628 (Canada) in all respects, and is approved to UL & ULC safety standards for installation and use within a fireplace with a masonry chimney in accordance with NFPA 211, with a direct flue collar connection. A starter pipe is required to reach to the bottom of the existing flue.

1. Secure the fireplace damper in the open position. If this cannot be accomplished, it will be necessary to remove the damper.
2. Seal the damper area around the chimney liner with a high temperature sealant.
3. The chimney should be examined for cracks, loose mortar, and other signs of deterioration and blockage. The insert should not be installed until it is determined that the chimney is safe for use. Since an oversized flue contributes to the accumulation of creosote, the size of the flue should be checked to determine that it is not too large for the insert. The chimney should also be checked to ensure it meets the minimum standard of the National Fire Protection Association (NFPA) Standard 211. The following bullets list the more critical requirements for a properly constructed chimney:
 - The masonry wall of the chimney, if brick or modular block, must be a minimum of 4 inches (102mm) nominal thickness. A chimney of rubble stone must be at least 12 inches (305mm) thick.
 - The chimney must have a fire clay flue liner (or equivalent) with a minimum thickness of 5/8 inch (16mm) and must be installed with refractory mortar. An equivalent liner must be a listed chimney liner system or other approved material.
 - A chimney inside the house must have at least 2 inches (51mm) of clearance to the combustible structure. A chimney outside the house must have at least 1 inch (25mm) clearance to the combustible structure. Non-combustible fire stops must be installed at the spaces where the chimney passes through floors and/or ceiling (See Figures 7.1 and 7.2 on page 7).

NOTE: In Canada, a full reline is required.

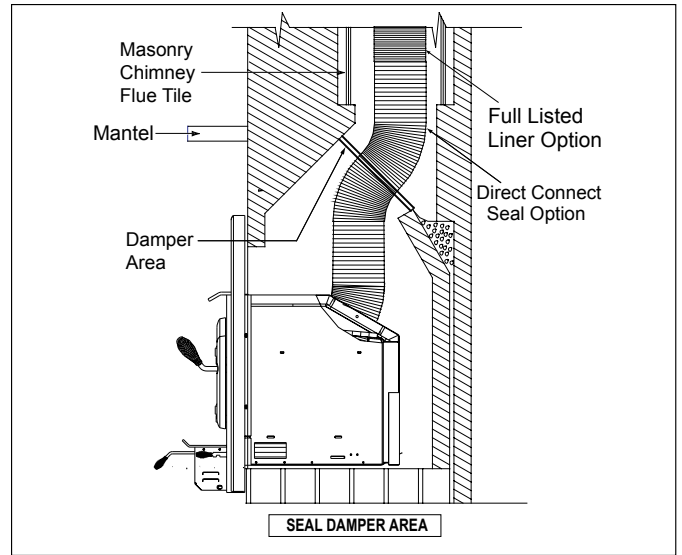


Figure 9.1 - Installation Into Masonry Fireplace

METAL HEAT CIRCULATING MASONRY

The Quadra-Fire 2700-I Insert conforms with the safety standard UL-1482 and ULC S628 (Canada) in all respects and is approved to UL & ULC safety standards for installation and use within a fireplace with masonry chimney, in accordance with NFPA 211, with a direct flue collar connection.

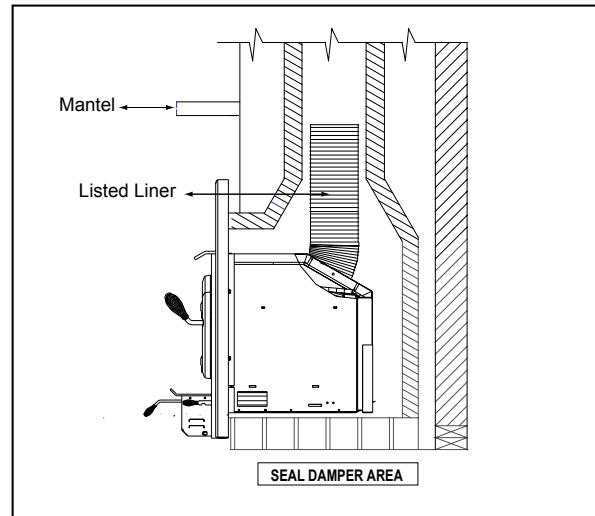


Figure 9.2 - Installation Into Metal Heat Circulating Showing Use Of Starter Pipe

	WARNING
	<p>Fire Risk.</p> <p>Inspection of Chimney:</p> <ul style="list-style-type: none"> • Chimney must be in good condition. • Meets minimum standard of NFPA 211 • Factory-built chimney must be 6 inch (152mm) UL103 HT.

	WARNING
	<p>Fire Risk.</p> <p>Do NOT pack insulation or other combustibles between spacers.</p> <ul style="list-style-type: none"> • ALWAYS maintain specified clearances around venting and spacers. • Install spacers as specified. <p>Failure to keep insulation or other material away from vent pipe may cause fire.</p>

**FACTORY BUILT ZERO CLEARANCE FIREPLACE
(USA INSTALLATIONS ONLY)**

The Quadra-Fire 2700-I Insert is listed to UL 1482 Standard and is approved for installation into listed factory-built zero clearance fireplaces listed to UL 127 conforming to the following specifications and instructions:

The original factory-built clearance fireplace chimney cap must be re-installed after installing the approved chimney liner meeting type H.T. requirements (2100°F) per UL 1777. The air flow of the factory-built zero-clearance fireplace system must not be altered. The flue liner top support attachment must not reduce the air flow for the existing air-cooled chimney system.

NOTE: Refer to chimney liner manufacturer for recommendations on supporting the liner.

	Inches	Millimeters
Minimum Width of Cavity Opening	28	711
Minimum Height	18-7/8	479
Minimum Depth from Front to Rear	17	432

The following modifications of factory-built fireplaces are permissible: 1) removal of damper; 2) removal of smoke shelf or baffle; 3) removal of ember catches; 4) removal of fire grate; 5) removal of viewing screen/curtain; and, 6) removal of doors.

NOTE: Installation into fireplaces without a permit will void the listing.

The factory-built chimney must be listed per UL 127 and meet the type HT requirements of UL 103. Factory-built fireplace chimneys tested to UL 127-1998, may be at the fireplace manufacturer's option, tested to the same criteria as UL 103 HT requirements. If the chimney is not listed as meeting HT requirements, or if the factory-built fireplace was tested prior to 1998, a full height listed chimney liner must be installed from the appliance flue collar to the chimney top. The liner must meet type HT requirements (2100°F) per UL 1777.

The liner must be securely attached to the insert flue collar and the chimney top. To prevent room air passage to the chimney cavity of the fireplace seal the damper area around the chimney liner with high temperature sealant.

The fireplace must not be altered, except that the damper may be removed to accommodate a direct-connect starter pipe or chimney liner, and external trim pieces which do not affect the operation of the fireplace may be removed providing they can be stored on or within the fireplace for reassembly if the insert is removed.

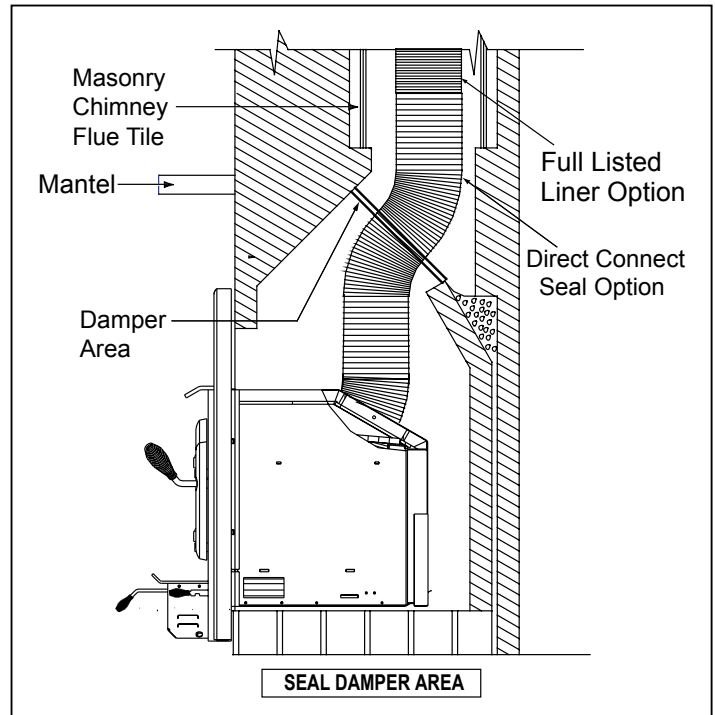


Figure 10.1 - Installation Into A Factory-Built Zero-Clearance Fireplace

The permanent metal warning label provided must be attached to the back of the fireplace, with screws or nails, stating that the fireplace may have been altered to accommodate the insert, and must be returned to original condition for use as a conventional fireplace.

If the hearth extension is lower than the fireplace opening, the portion of the insert extending onto the hearth must be supported. Manufacturer designed adjustable support kit can be ordered from your dealer. **See page 15.**

Final approval of this installation type is contingent upon the authority having jurisdiction.

WARNING

Fire Risk.

When lining air-cooled factory-built chimneys:

- Run chimney liner approved to UL 1777 Type HT requirements (2100 degrees F)
- Re-install original factory built chimney cap ONLY
- DO NOT block cooling air openings in chimney
- Blocking cooling air will overheat the chimney

INSTALLATION IN CANADA

MASONRY and HEAT-CIRCULATING

(INSTALLATIONS INTO FACTORY-BUILT FIREPLACES ARE PROHIBITED IN CANADA)

Whether installed in a masonry or heat-circulating fireplace, this fireplace insert must be installed with a continuous chimney liner of 6 inches (152mm) diameter extending from the fireplace insert to the top of the chimney. The chimney liner must conform to the Class 3 requirements of CAN/ULC-S635, Standard for Lining Systems for Existing Masonry or Factory-Built Chimneys and Vents, or CAN/ULC-S640, Standard for Lining Systems for New Masonry Chimneys.

- Do not remove bricks or mortar from fireplace to accommodate insert.
- To prevent room air passage to the chimney cavity of the fireplace seal the damper area around the chimney liner with high temperature sealant.
- The permanent metal warning label provided must be affixed to the back of the fireplace with screws or nails to the fireplace, in a location readily visible should the fireplace insert be removed, stating that the fireplace may have been altered to accommodate the insert, and must be returned to original condition for use as a conventional fireplace

NOTE:
In Canada when using a factory-built chimney it must be safety listed, Type UL 103 HT CLASS "A" or conforming to CAN/ULC-S629, STANDARD FOR 650°C FACTORY-BUILT CHIMNEYS.

DOOR HANDLE ASSEMBLY

1. Install washer on door handle shaft.
2. Slide door handle through door.
3. Install second washer(s) as shown.
4. Install key in groove.
5. Align groove in latch cam with key; slide latch cam over shaft.
6. Install locknut.
7. Install spring handle turning counter-clockwise to desired location on handle.

CAUTION

- Do NOT overtighten lock nut.
- Door handle needs to move smoothly.

LEVELING LEGS

1. Remove the 2 screws already installed on each leg.
2. Move legs to the desired height.
3. Re-install the screws to secure in place.

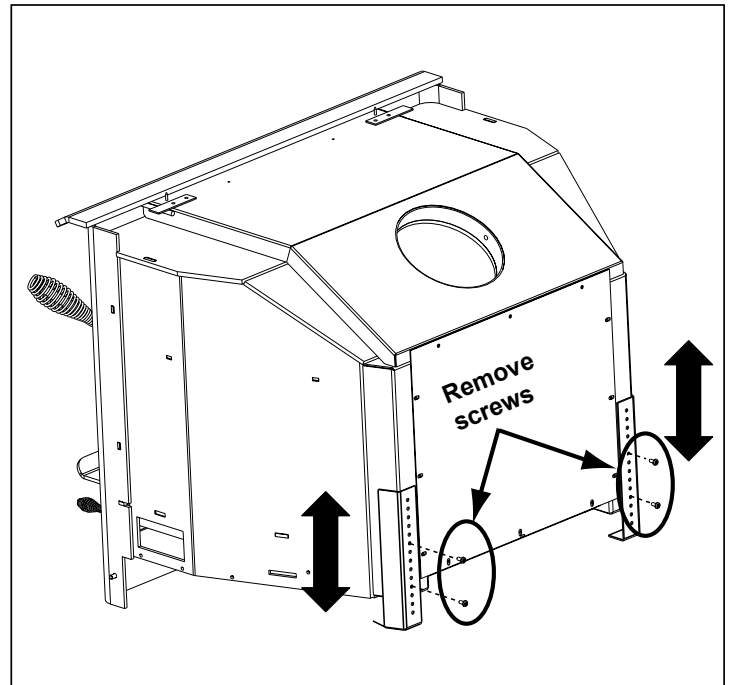


Figure 11.1

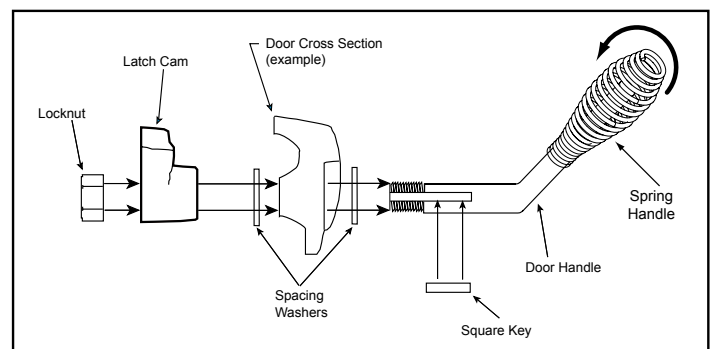


Figure 11.2

OPTIONAL QUICK CONNECT COLLAR

If you would like to use the Quick Connect Collar for easy flue installation and removal, follow the directions below.

1. Attach venting to Quick Connect Collar. Secure with 2 screws.
2. Remove baffle and ceramic blanket. **See page 20.**
3. Partially insert chimney ring bolts (1/4-20) supplied in component pack.
4. Slide appliance into place.
5. From inside the unit, reach through chimney ring hole, grab the horizontal bar handle pulling venting to the unit. Line up the slots in Quick Connect Collar with the bolts.
6. Rotate Quick Connect Collar clockwise and tighten bolts.
7. Re-install baffle and ceramic blanket making sure they are fully pushed back into position.

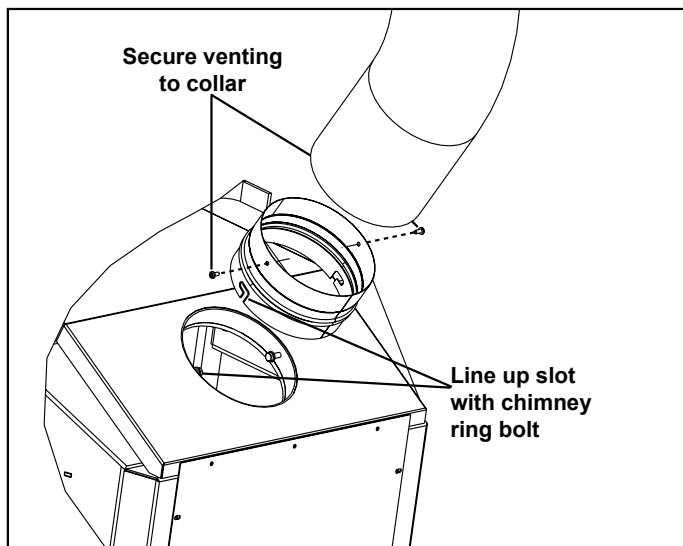


Figure 12.1

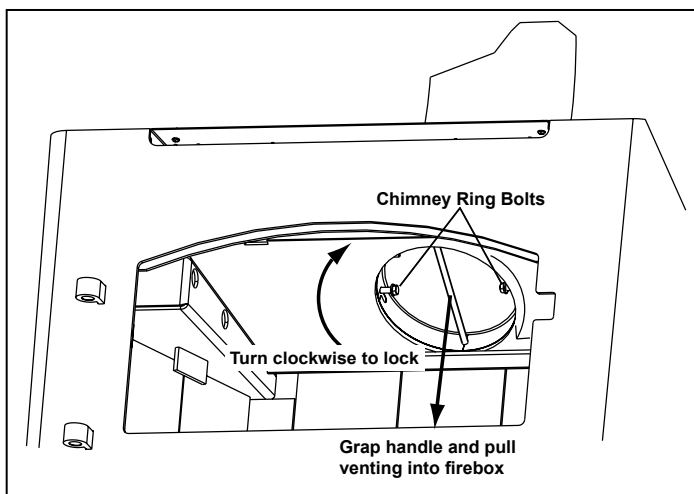


Figure 12.2

OUTSIDE AIR INSTALLATION

The Outside Air Cover Boxes must be installed on both panel legs FIRST before installing the panels on the insert. The boxes are included with the Panel and Trim Kit Assembly.

1. Slide the Outside Air Cover Box over the louvers in the panel leg and wedge it between the panel leg and flange. Secure with screw provided.
2. Repeat for other side.

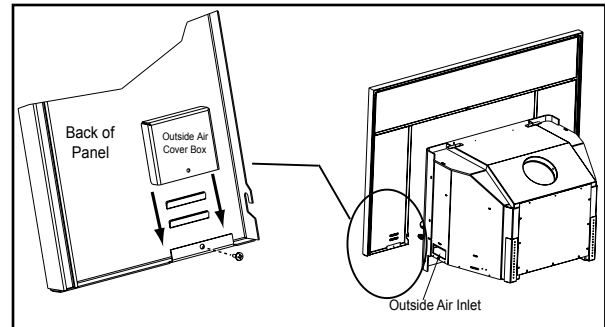


Figure 12.3

NOTE: The Factory-Built Fireplace must meet (UM) 84-HUD requirements for outside combustion air supply to the fireplace fire chamber.

WARNING

**Fire Risk.
Asphyxiation Risk.**

Do not draw outside combustion air from:

- Wall, floor or ceiling cavity
- Enclosed space such as an attic or garage
- Close proximity to exhaust vents or chimneys.

Fumes or odor may result

WARNING

Asphyxiation Risk.

Outside air inlet must be located to prevent blockage from:

- Leaves, snow, ice or other debris

Blockage may cause combustion air starvation
Smoke spillage may set off alarms or irritate sensitive individuals

WARNING

Asphyxiation Risk.

Length of outside air supply duct shall NOT exceed the length of the vertical height of the exhaust flue.

- Fire will not burn properly
- Smoke spillage occurs when door is opened due to air starvation

PANEL and TRIM SET

The Outside Air Cover Boxes must be installed on both panels legs FIRST before installing the panels on the insert. See page 12.

Included in Kit: (2) side panels, left and right; (1) panel top; (2) side trim, left and right, (1) top trim (2) "L" brackets, fastener package and (2) outside air cover boxes

Tools Required: Phillips head screw driver

Panel & Trim Assembly Instructions

NOTE: You have an option of installing the trim on the panels before securing the assembly to the insert or slide trim over the panels after panels are installed. Pre-installing the trim allows for installations that may have a mantel already in place or where space is restricted.

1. Lay the panel set face down on protective covering to prevent scratching the painted surface.
2. Secure panel set together with screws provided. **Figure 13.1.**
3. Assemble the trim pieces using the "L" brackets. **Figures 13.1 and 13.2.**
4. Slide the trim over the panel assembly. (See Note above).

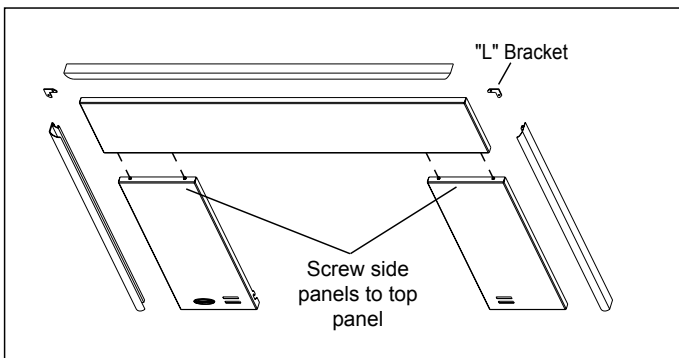


Figure 13.1

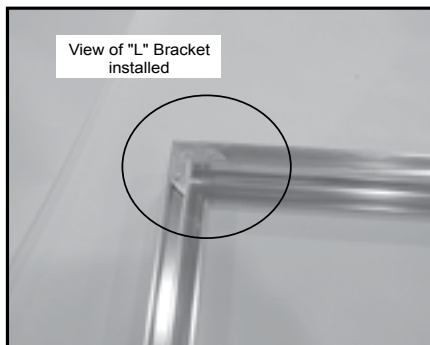


Figure 13.2

Attaching Panels and Trim to the Insert

1. Remove the insert top (if installed) by lifting up slightly then pulling towards you and set aside. **See Figure 14.1 on page 14.**
2. There are 2 locator pins on the top of the insert to match up with alignment holes on the back flange of the panel set. **Figure 13.3**
3. On the bottom of each side of the insert face is a peg. The bottom of the panel leg will hook onto this peg. **Figure 13.3**
4. Using both hands, hold the panel & trim assembly and slide it onto the locator pins and then hook the bottom of the panel legs to the pegs.
5. Place the insert top back into position. **See page 14.**

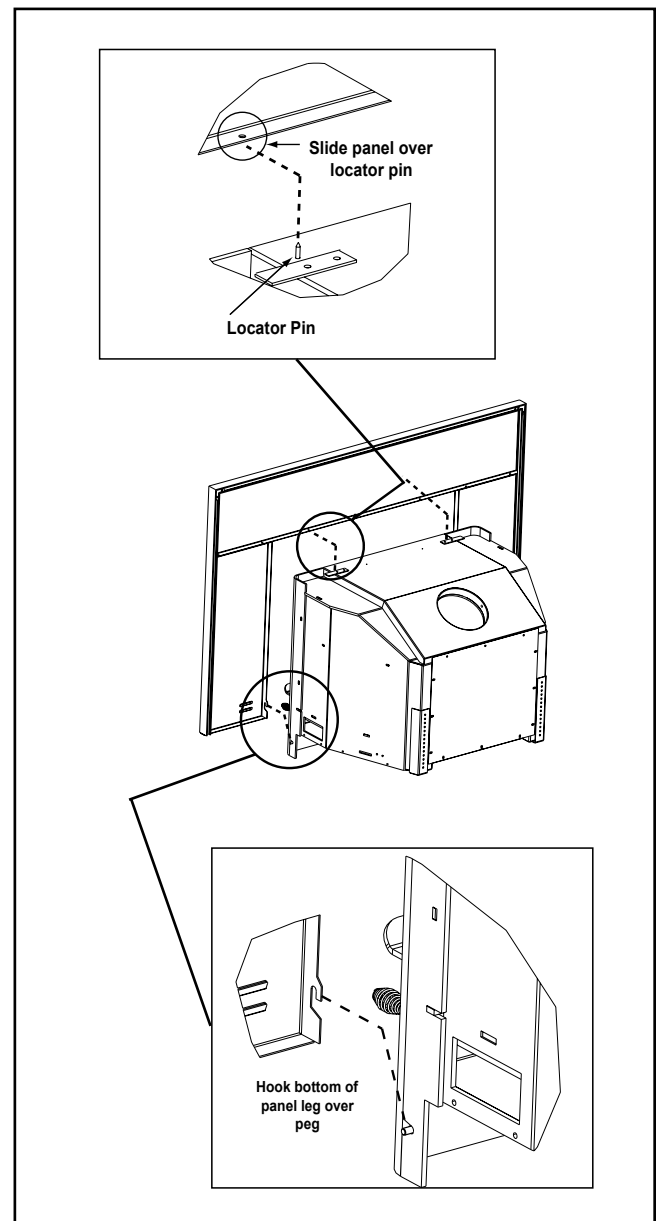


Figure 13.3

TOP INSTALLATION INSTRUCTIONS

The top is packaged separately and shipped with the insert. Install on insert after unit is in place and the installation of the panels and trim are complete.

Push the top into place by aligning the pins into the slots and then press down into position.

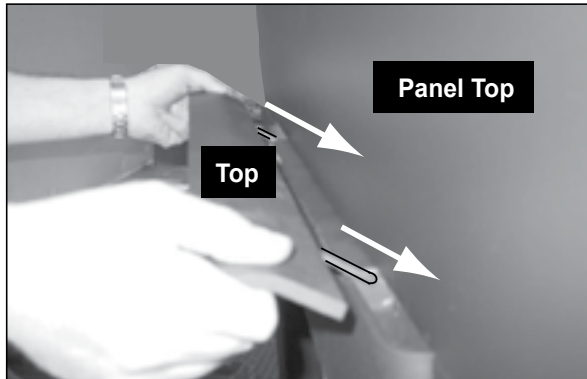


Figure 14.1

BLOWER INSTALLATION

Included in Kit: Blower motor and cord

Tools Needed: Phillips head screw driver

The 2700-I Insert comes standard with a blower housing already installed at the factory. All of the fasteners needed to install the optional blower are also installed on the insert. Order the optional Blower Assembly through your dealer, Part BK-7007. The blower cord can be installed on the right side or left side of the insert.

1. Remove the blower cover from the front of the unit by removing 4 screws, 2 at each end.
2. Remove the ashlip by removing the 2 screws on each side and pulling towards you. The blower housing is assembled and attached to the ashlip and will come out as one unit.
3. Remove the 4 nuts from the housing and attach the blower using the same 4 nuts. See circled area in **Figure 14.2**
4. Connect the white and black wires to blower motor terminals. Connect green ground wire to ground terminal.
5. Install strain relief onto power cord. Using a pair of pliers, squeeze strain relief and push through hole.
6. Plug in and test blower operation.
7. Re-install ashlip and blower cover.
8. Route power cord away from the unit. Do not route power cord under or in front of unit.

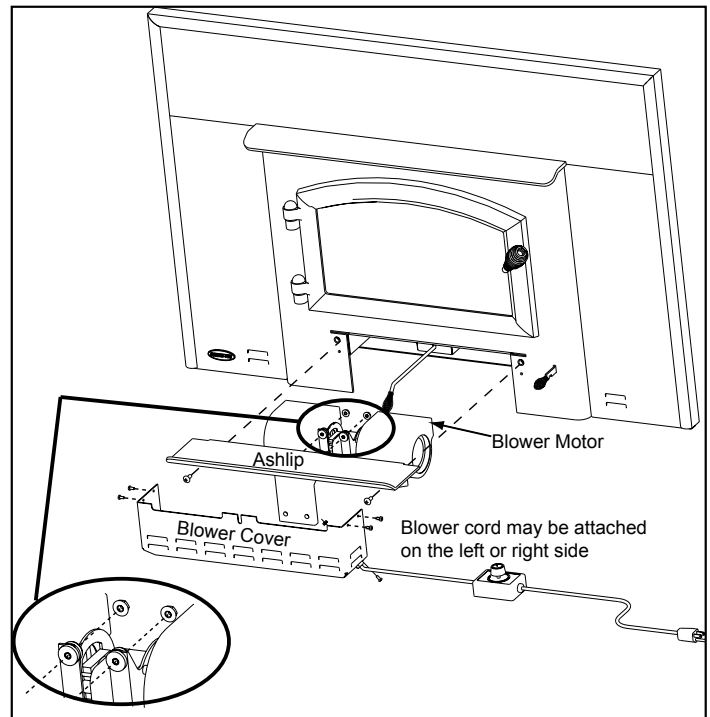


Figure 14.2


FAN SPEED CONTROL

ADJUSTMENT, IF NECESSARY*

***The fan Speed Control for this unit is adjusted at the factory, and normally does not require further adjustment.**

NOTE: When the speed control is turned clockwise, it will click on to high speed. Continue to turn the speed control clockwise to decrease the speed. At full clockwise, the blower should blow gently, but should not stop.

1. With the unit plugged in, turn the Speed Control Knob to slow. (Full clockwise.)
2. Use a small screw driver to adjust the fan speed by turning the adjustment mechanism through the hole on the side of the Speed Control.
3. Adjust the speed so the fan runs slowly but does not stop. Turn clockwise to slow the fan and counter-clockwise to increase the speed.



CAUTION

Shock Risk.

- Do NOT remove grounding prong from plug.
- Plug directly into properly grounded 3 prong receptacle.
- Route cord away from appliance.
- Do NOT route cord under or in front of appliance.

ZERO CLEARANCE ADJUSTABLE TRIM SUPPORT, 2 inch to 10 inch

Included in Kit: 1 trim top; 1 trim front; 2 trim sides; double-sided tape (already installed)

Tools Required: Phillips head screw driver; sheet metal shears; measuring tape; gloves

	 <p>CAUTION</p>
<p>Injury Risk.</p> <ul style="list-style-type: none"> • Gloves recommended • May have sharp edges 	

1. The 10 screws on each set of scissors will already be loose when shipped.
2. Expand scissors to desired height. Tighten screws to hold in place using Phillips head screw driver. **Figures 15.1 and 15.2.**
3. Measure trim to required height to cover scissors and mark piece for cutting. Cut excess material from **top** of trim's edge, not bottom. This edge will be sharp; wear gloves to prevent injury to your hands. **Figure 15.2.**
4. Using sheet metal shears, cut trim along the marked edge. The cut edge fits under lip of top, so it allows for some variance in your straight edge.
5. The double-sided tape that holds the scissors has a particularly powerful bonding adhesive. Adjustments are extremely difficult once trim has adhered to tape. Do a dry run first without removing paper from tape.
6. Place cut edge of trim under top lip and into position on scissors. Install the 2 side pieces first. The front piece corners will overlap the side pieces. **NOTE:** The trim in the Flush Mount Kit is one piece.
7. Once you are satisfied with the positioning, remove trim and set aside.
8. Remove the paper from double-sided tape that is to accept trim side. Align side and then press hard against tape to secure side piece.
9. There are 3 holes in the back flange of the top to secure it to the wall if necessary. Use the appropriate fastener for the type of wall material in your installation.

NOTE: 3/8 inch (9.5mm) thick tile or like material can be cut to size and fit under lip of top trim edge for a decorative touch. **Figure 15.3.**

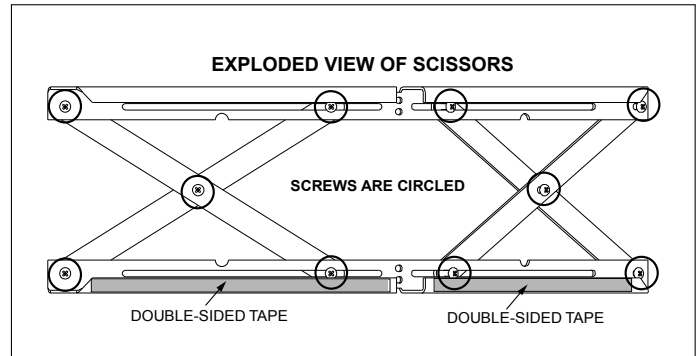


Figure 15.1

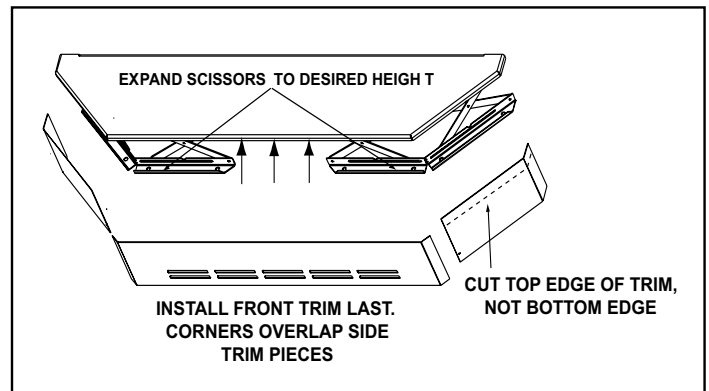


Figure 15.2

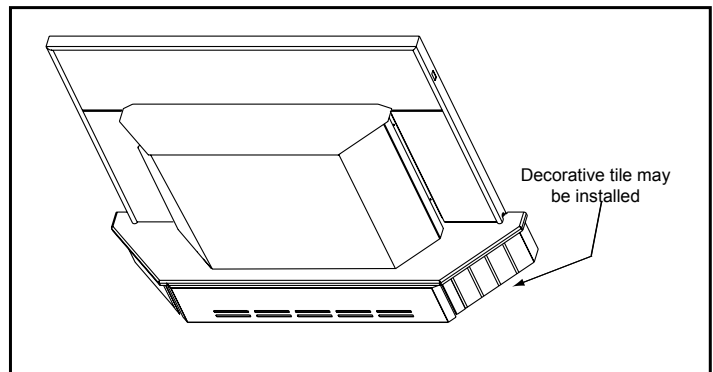


Figure 15.3

OPERATION

WOOD SELECTION AND STORAGE


Burn only dry seasoned wood. Dry, well-seasoned wood will not only minimize the chance of creosote formation but will give you the most efficient heat output. Even dry wood contains at least 15% moisture by weight and should be burned hot enough to keep the chimney hot enough to maintain particulate (smoke) burning. Burning unseasoned wood of any variety defeats the stoves' efficiency.

Dead wood lying on the forest floor should be considered wet, and requires full seasoning time. Standing wood can be considered to be about two-thirds seasoned. Wood is dry enough to burn if the ends of the logs have cracks radiating in all directions from the center. If your wood sizzles in the fire, even though the surface is dry, it may not be fully cured.

Drying time can be reduced by splitting wood prior to storage. Since the majority of drying occurs through the cut ends rather than the sides, stack the wood so both ends of each piece are exposed to air. Store wood under cover, such as in a shed, or covered with a tarp, plastic, tar paper, sheets of scrap plywood, etc.

OVERFIRING

Do not overfire. Overfiring can result in crazing, an effect causing a white, non-removable film to be deposited on the inside of the glass. Using flammable liquids or too much wood, or burning trash in the insert, may result in overfiring. If the chimney connector or insert glows red, or worse, white, the insert is overfired. This condition may ignite creosote in the chimney, possibly causing a house fire. If any part of the insert starts to glow, you are in an overfire situation. If you overfire, immediately close the insert dampers and door, if open, to reduce the air supply to the fire. **Overfiring your insert voids your warranty.**

	WARNING
	<p>Fire Risk.</p> <ul style="list-style-type: none"> • Do NOT burn with insert door open. <p>Embers may fall out and start a fire.</p>

BUILDING A FIRE

NOTE: Remove all labels from glass front prior to lighting the first fire and refer to plated surfaces care on **page 19** .


Before lighting your first fire in the insert, make certain that the baffle is correctly positioned. It should be resting against the rear support.


There are many ways to build a fire. The basic principle is to light easily-ignitable tinder or paper, which ignites the fast burning kindling, which in turn ignites the slow-burning firewood. Here is one method that works well:

1. Place several wads of crushed paper on the firebox floor.
Heating flue with slightly crumpled newspaper before adding kindling keeps smoke to a minimum.

2. Place several wads of crushed paper on the firebox floor.
3. Open Start-Up Air Control (right control) and Primary Air Control (center control under ashlip) fully. **Figure 18.1 on page 18.**
4. Ensure that no matches or other combustibles are in the immediate area of the insert, that the room is adequately ventilated, and the flue is unobstructed.
5. Light the paper in the insert. NEVER light or rekindle insert with kerosene, gasoline, or charcoal lighter fluid; the results can be fatal.
6. Once the kindling is burning quickly, add several full-length logs 3 inches (76mm) or 4 inches (102mm) in diameter. Be careful not to smother the fire. Stack the pieces of wood carefully: near enough to keep each other hot, but far enough away from each other to allow adequate air flow between them.
7. When ready to reload the insert, add more logs. Large logs burn slowly, holding a fire longer. Small logs burn fast and hot, giving quick heat.
8. Adjust the Start-Up Air Control and Primary Air Control, maintaining flames above the fuel. The more you close down the Primary Control, the lower and slower the fire will burn. The more you open the Primary Control the more heat will be produced. The Start-Up Air Control (right control) is only used for the first 5 to 15 minutes.

As long as there are hot coals, repeating steps 7 and 8 will maintain a continuous fire.

	WARNING
	<p>Fire Risk.</p> <p>Keep combustible materials, gasoline and other flammable vapors and liquids clear of appliance.</p> <ul style="list-style-type: none"> • Do NOT store flammable materials in the appliance's vicinity. • Do NOT use gasoline, lantern fuel, kerosene, charcoal lighter fluid or similar liquids to start or "freshen up" a fire in this heater. • Keep all such liquids well away from the heater while it is in use. • Combustible materials may ignite.

	WARNING
	<p>Fire Risk.</p> <ul style="list-style-type: none"> • Do NOT burn garbage or flammable fluids such as gasoline, naptha or engine oil. • Do NOT burn treated wood or wood with salt (driftwood). • May generate carbon monoxide if burn material other than wood. <p>May result in illness or possible death.</p>


OPERATING TIPS

For maximum operating efficiency with the lowest emissions, follow these operating procedures:


1. Regardless of desired heat output, when loading insert, burn your Quadra-Fire with both air controls wide open for a minimum of 5 to 15 minutes.
2. Regulate burn rate (heat output) by using the Primary Control (center control under ashlip). The Start-Up Air Control (right control) is mainly for initial start-up and reloading.
3. Heat output settings: Follow burn rate instructions listed below.
4. ***Burn only dry, well-seasoned wood.***

BTU / Hr	Close Start-Up Air	Primary Control
Below 10,000	After 5-15 min	Pull to Stop
10,000 - 15,000	After 5-15 min	1/8 in to 1/4 in open
15,000 - 30,000	After 5-15 min	1/4 in to 1.0 in open
Maximum Heat	After 5-15 min	Fully Open

These are approximate settings, and will vary with type of wood or chimney draft.



WARNING



Fire Risk

- Do NOT operate with Start-Up Air Control in open position in excess of 15 minutes.
- Risk of extreme temperatures!

Prolonged operation with Start-Up Air Control in open position may cause combustible materials around appliance to exceed safe temperature limits.

NOTE:

- Build fire on brick firebox floor.
- Do NOT use grates, andirons or other methods to support fuel. It will adversely affect emissions.

BURN RATES

STARTING FIRE: Open both controls (push in) completely. After a wood load has been burning on high for 5 to 15 minutes or longer for very large pieces, close the Start-Up Air Control (bottom rod) by pulling it out.

HIGH: Leave the Primary Air Control fully open (immediately under the ashcatcher). It is especially important to fully open both controls when reloading the insert as failure to do so could result in excessive emissions, also referred to as 'opacity'.

After a wood load has been burning on high for 5 to 15 minutes on High to achieve the following burn rates set the controls as listed below:

MEDIUM HIGH: Close the Primary Air Control to 1/4 inch to 1.0 inch (6mm to 25mm) open. Start-Up Air is closed.

MEDIUM: Close the Primary Air Control to 1/8 inch to 1/4 inch (3mm to 6mm) open. Start-Up Air is closed.

BURN RATES (Cont'd)

LOW: Gradually close down the Primary Air Control by pulling out making sure to maintain flames in the insert. Start-Up Air is closed. It is very important to maintain flames in your insert during the first few hours of a low burn to avoid excessive air pollution.

OPACITY


Opacity is the measure of how clean your insert is burning and is measured in percentages. An opacity of 100% in the smoke column from a chimney will totally obscure an object. Whereas 0% opacity means that no smoke column can be seen. A periodic check of the opacity emitted from your chimney will enable you to burn your insert as smoke free as possible.

FAN OPERATING INSTRUCTIONS


1. **Initial (cold) startup:** Leave fan off until your insert is hot and a good coal bed is established, approximately 30 minutes after fuel is lit.
2. **High Burn Setting:** The fan may be left on throughout the burn.
3. **Medium or Medium High Burn Setting:** The fan should be left off until a good burn is established, then turned on a medium or high rate.
4. **Low Burn Setting:** The fan tends to cool the insert. Leave fan off until the burn is well established; then, if you wish, turn the fan on at a low rate.
5. The fan is equipped with a rheostat (speed control). The highest fan speed is obtained by turning the rheostat on, then adjusting back towards "OFF" as far as possible without turning the fan off. For a low fan speed, turn the control knob clockwise as far as possible.

ASH REMOVAL

Remove cold ashes (not hot) from the insert at regular intervals, depending on your usage. Ashes should be placed in a metal container with a tight fitting lid. The closed container of ashes should be placed on a non-combustible floor or on the ground, well away from all combustible materials, pending final disposal. If the ashes are disposed of by burial in soil or otherwise locally dispersed, they should be retained in the closed container until all cinders have thoroughly cooled. Always treat ashes as if they contain hot coals.



WARNING



Fire Risk.

Disposal of Ashes

- Ashes should be placed in metal container with tight fitting lid.
- Do not place metal container on combustible surface.
- Ashes should be retained in closed container until all cinders have thoroughly cooled.

AIR QUALITY AND YOUR QUADRA-FIRE INSERT

In recent years there has been an increasing concern about the quality of our air. Much of the blame for poor air quality has been placed on the burning of wood for home heating. In order to improve this situation we at Quadra-Fire have developed cleaner burning inserts that surpass the stringent requirements for emissions established by our governing agencies. Your 2700-I, like any other appliance, must be properly operated in order to ensure that they perform the way they are designed to perform. Improper operation and maintenance may cause any wood burning unit to release more particulate, adversely affecting the environment.

The story of the Three Burning Stages . . .

It helps to know a little about the actual burn process, which entails three discernible burning stages. The first stage is called the kindling stage. During this stage the fuel reaches the boiling temperature of water, 212°F, evaporating the moisture found to some degree in all wood.

Because the process takes heat from the insert during this initial drying stage, each new load of wood reduces the chances for a good, clean burn. For this reason it is always best to burn dry, seasoned firewood, and operate the controls properly. The bottom control on the right side of your insert is called the Start-Up Air Control and is used primarily during this first kindling stage of burning.

During the secondary stage, the wood gives off flammable gases which burn above the fuel with bright flames. These flames above the fuel must be maintained until the third stage to ensure proper burning. During this stage you may adjust your insert for a low burn rate. To achieve a low burn rate it is necessary to close down the air while still maintaining some flames. If the flames tend to go out, the setting is too low. The Primary Control, located under the ashlip, will assist you in adjusting the insert for a low burn rate.

The third stage of burning is the charcoal stage. This happens when the flammable gases have been burned and the charcoal remains. The coals burning with hot blue flames is a naturally clean portion of the burn. It is very important to reload your insert while enough lively hot coals remain in order to provide the amount of heat needed to dry and rekindle the next load of wood. Open up both controls for a short while before reloading to liven up the coal bed. You should also break up any large chunks and distribute the coals so the new wood is laid on hot coals. Leave both controls open until the new wood load is burning well enough to maintain the secondary stage of burning and then set controls to your desired heat output setting.

START-UP AIR SYSTEM

The combustion air enters at the rear of the firebox through the rear air tubes. This air supply is controlled by the Start-Up Air Control.

PRIMARY AIR SYSTEM

The primary air enters at the upper front of the firebox near the top of the glass door. This preheated air supplies the necessary fresh oxygen to mix with the unburned gases, helping to create secondary, tertiary and quaternary combustion. This air is regulated by the Primary Air Control. For more primary air (more heat), push rod in. For less primary air (less heat), pull rod out. **Figure 18.1.**

In other words . . .

Pulling either control towards you closes off the air available to the insert in that area. Pushing either control opens it, allowing air circulation to the area. A good analogy to remember for this procedure is the gas pedal on your car. Pushing in the gas pedal makes the engine run faster. Letting off (pulling the control back) makes the car run slower.

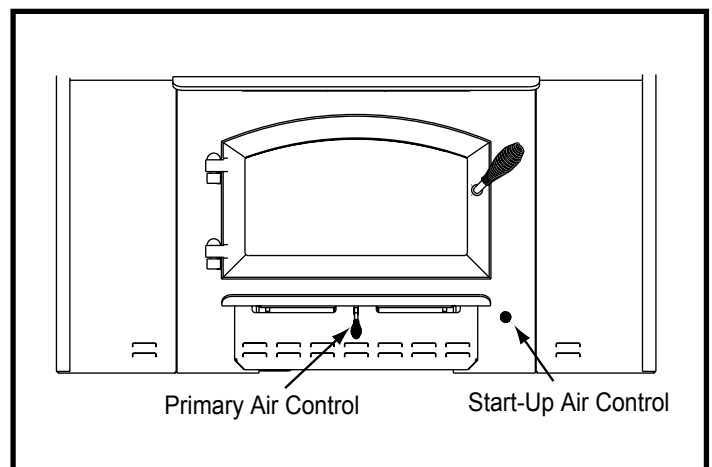


Figure 18.1

OPEN - PUSH IN

CLOSE - PULL OUT

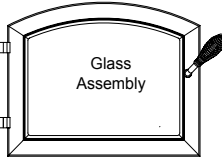
MAINTENANCE

CLEANING PLATED SURFACES

IMPORTANT: You must clean all the fingerprints and oils from the plated surfaces before firing the insert for the first time. Use warm soapy water and a soft rag, glass cleaner and a paper towel, or vinegar and a paper towel to remove the oils. **DO NOT** use abrasive cleaners! If not cleaned properly prior to lighting the first fire, the oils can cause permanent stains. The plating will be cured upon firing of the insert and oils will no longer affect the finish. Subsequently, little maintenance is then required. Wipe clean as needed with a soft towel.

GLASS CLEANING

Quadra-Fire inserts are equipped with super heat resistant ceramic glass which can only be broken by impact or misuse. Clean glass with any non-abrasive glass cleaner. Abrasive cleaners may scratch and cause glass to crack. Inspect glass regularly. If you find a crack or break, immediately put the fire out and return the door to your authorized dealer for replacement of glass before further use. Do not substitute materials for glass replacement.

CAUTION	
 <p style="text-align: center;">Glass Assembly</p>	<p>Handle glass assembly with care.</p> <p>When cleaning glass:</p> <ul style="list-style-type: none"> • Avoid striking, scratching or slamming glass. • Do NOT clean glass when hot.
<ul style="list-style-type: none"> • Do NOT use abrasive cleaners. • Use a hard water deposit glass cleaner on white film. • Use commercial oven cleaner on heavier deposits. • Remove all residue of oven cleaner or will permanently stain glass on next firing. • Refer to maintenance instructions. 	

GLASS REPLACEMENT INSTRUCTIONS

Replace with 5mm ceramic glass only

1. Remove door from insert and lay on a padded flat surface.
2. Remove glass retainer screws using a Phillips screw driver.
3. Lift glass out of the door frame and/or side frames.
4. Lay new glass with fiberglass tape around it into door frame and/or side frames.
5. Place glass retainers over the fiberglass tape on the edges of the glass and re-install screws. Be sure glass is centered in the opening (i.e. same space top and bottom, left and right).
6. Tighten screws enough to hold frame and glass in place.
7. Check again for centering of glass in door and/or side frames and give all screws a final tightening.

CREOSOTE (CHIMNEY) CLEANING


Remove all ash from the firebox and extinguish all hot embers before disposal. Allow the appliance to cool completely. Disconnect flue pipe or remove baffle and ceramic blanket from appliance before cleaning chimney. Otherwise residue can pile up on top of the baffle and ceramic blanket and the appliance will not work properly. (See Baffle Removal on **page 20**). Close the door tightly. The creosote or soot should be removed with a brush specifically designed for the type of chimney in use. Clean out fallen ashes from the firebox. A chimney sweep can perform this service.


It is also recommended that before each heating season the entire system be professionally inspected, cleaned and repaired if necessary.

Inspection: Inspect the system at the appliance connection and at the chimney top. Cooler surfaces tend to build creosote deposits quicker, so it is important to check the chimney from the top as well as from the bottom.

Formation and Need For Removal: When wood is burned slowly, it produces tar and other organic vapors which combine with expelled moisture to form creosote. The creosote vapors condense in the relatively cool chimney flue of a newly-started or a slow-burning fire. As a result, creosote residue accumulates on the flue lining. When ignited, this creosote creates an extremely hot fire which may damage the chimney or even destroy the house. The chimney connector and chimney should be inspected once every 2 months during the heating season to determine if a creosote or soot buildup has occurred. If creosote or soot has accumulated, it should be removed to reduce the risk of a chimney fire.

If your type of installation is direct connect within a masonry chimney, the insert will need to be pulled out from the fireplace and disconnected from the flue prior to cleaning the chimney. The creosote can either be caught in a large garbage bag secured to the pipe or swept and vacuumed out of the fireplace. Reconnect the pipe and re-install the insert following installation instructions in this manual.

	WARNING
<p>Fire Risk. Prevent creosote buildup.</p> <ul style="list-style-type: none"> • Inspect chimney connector and chimney once every two months during heating season. • Remove creosote to reduce risk of chimney fire. • Ignited creosote is extremely HOT. 	

	WARNING
<p>Fire Risk.</p> <ul style="list-style-type: none"> • Do not use chimney cleaners or flame colorants in your appliance. <p>Will corrode pipe.</p>	

BRICK REPLACEMENT INSTRUCTIONS

The firebox of your Quadra-Fire 2700-I Insert is lined with high quality firebrick which has exceptional insulating properties. There is no need for a grate, simply build a fire on the firebrick floor.

1. Be certain coals are completely cold. Remove all old brick and ash from unit and vacuum out firebox.
2. Remove new brick set from box and lay out to diagram as shown.
3. Lay bottom bricks in unit.
4. Install rear bricks on the top of the bottom bricks. Slide top of bricks under clip on back of firebox wall and push bottom of brick back.
5. Install side bricks. Slide top of brick under clips on side of firebox and push the bottom of the brick until it is flush with the side of the unit.

Nbr.	Brick Size	Qty
1	9 x 4-1/2 x 1-1/4"	11
2	9 x 4-1/2 x 1-1/4" with hole	1
3	4-1/2" x 4-1/2" x 1-1/4"	1
4	see diagram	2
5	see diagram	2
6	7-3/4" x 2-1/2 x 1-1/4"	2

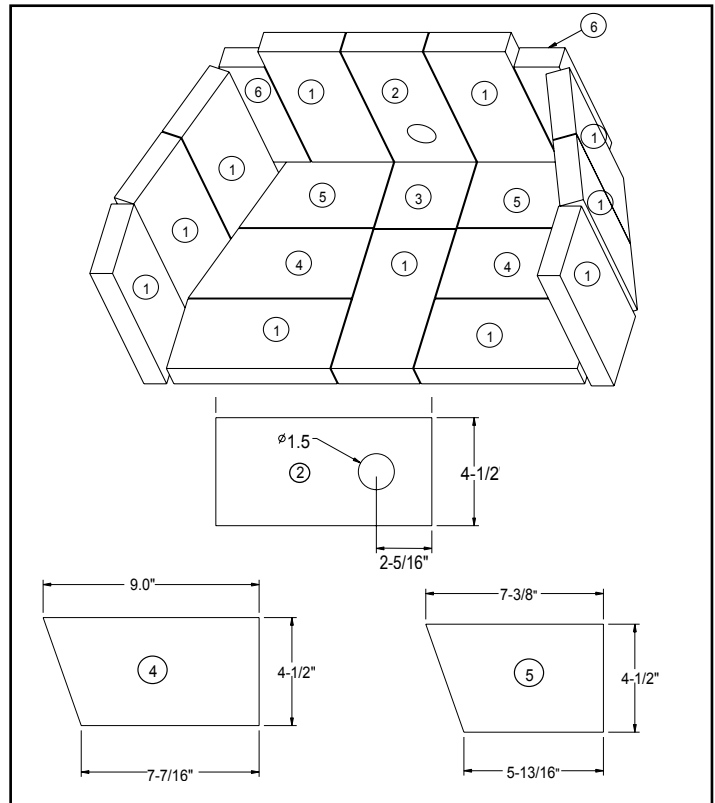


Figure 20.1

Use Part No. 832-0550 when ordering individual brick and provide brick dimension or copy this page and mark the desired brick and take it to your authorized dealer.

BAFFLE REMOVAL & INSTALLATION

1. Remove all ash from firebox, and extinguish all hot embers before disposal into a metal container.
2. Remove ceramic blanket and baffle together.
3. With a 3/16 Allen wrench, remove the front manifold tube retainer bolts on the air channel under the end of the front tube. **See Figure 20.1.** **NOTE:** Soak the bolts with penetrating oil for at least 15 minutes before trying to remove it.
4. To remove manifold tube, slide the tube to one side until one end is out of its hole. Then, while lifting that end of the fiber board baffle, pull tube up over the air channel and out of hole at the other end.
5. Slide fiber board baffle forward to front of stove and straight out through door. **See Figure 20.2.**
6. To install the fiber board baffle, repeat steps 2 through 4 in reverse. Be sure the fiber board baffle and ceramic blanket are fully pushed back into position.

NOTE: Manifold tubes #1 and #2 have the same size air holes, however tube #3 has smaller air holes.

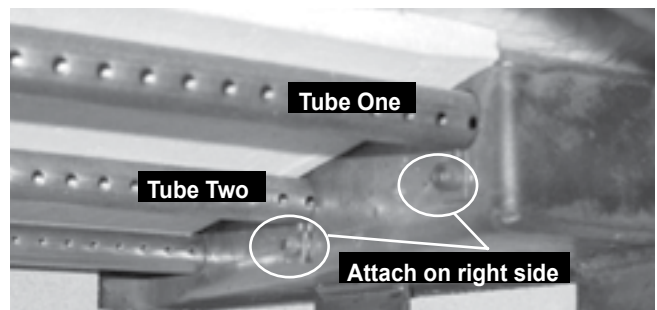


Figure 20.2 - Manifold tubes in roof of firebox.

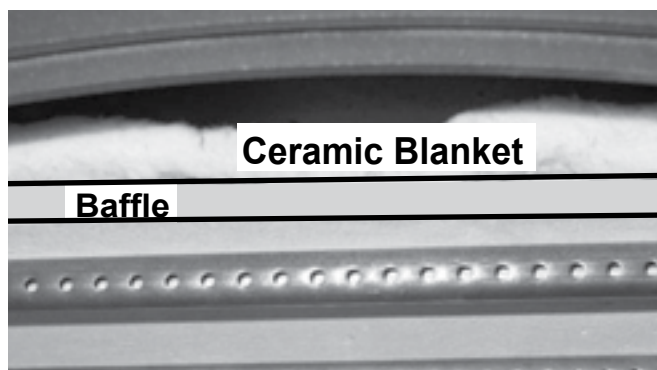


Figure 20.3 Baffle & Ceramic Blanket on top.

EXPLODED VIEW

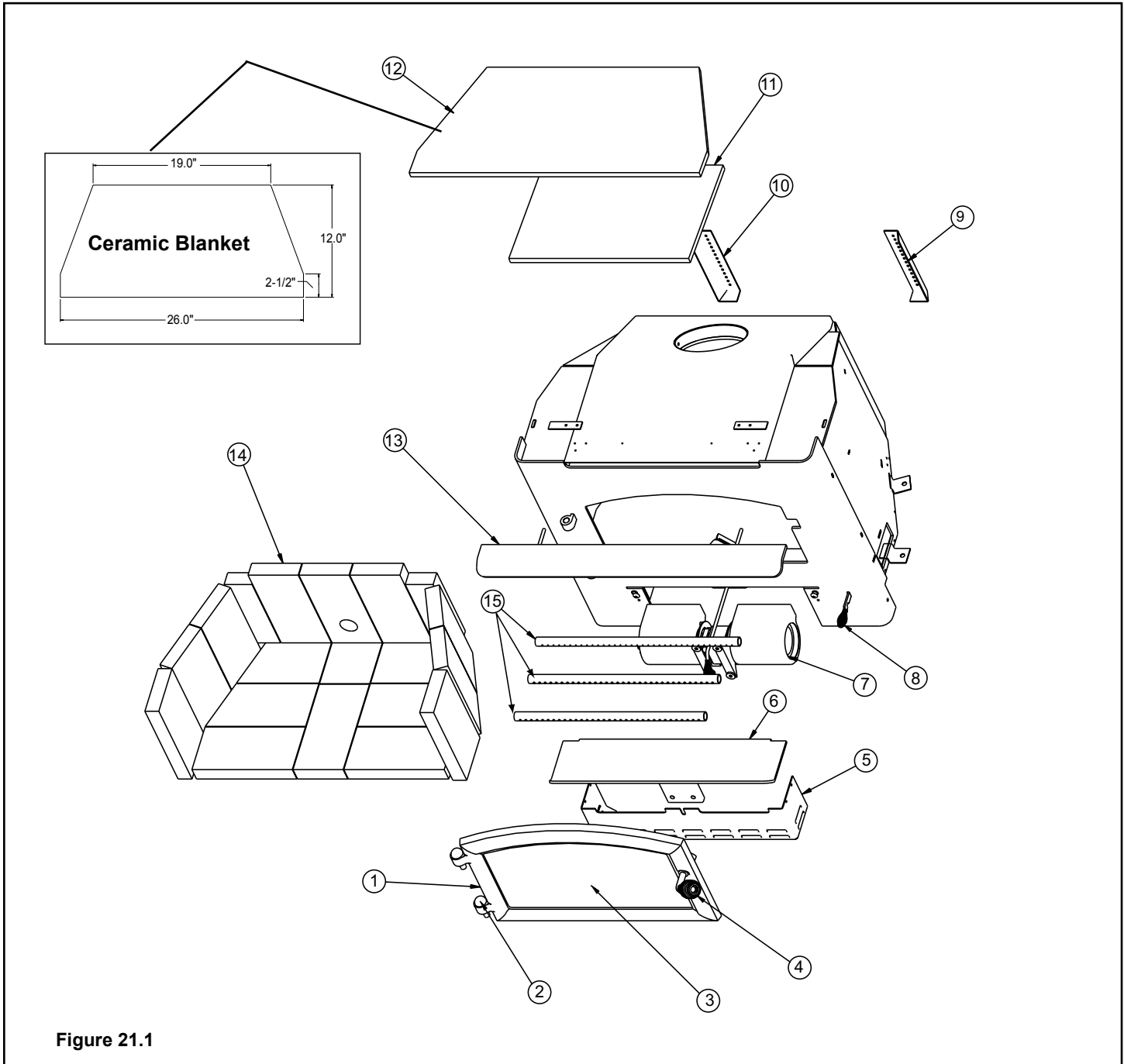


Figure 21.1

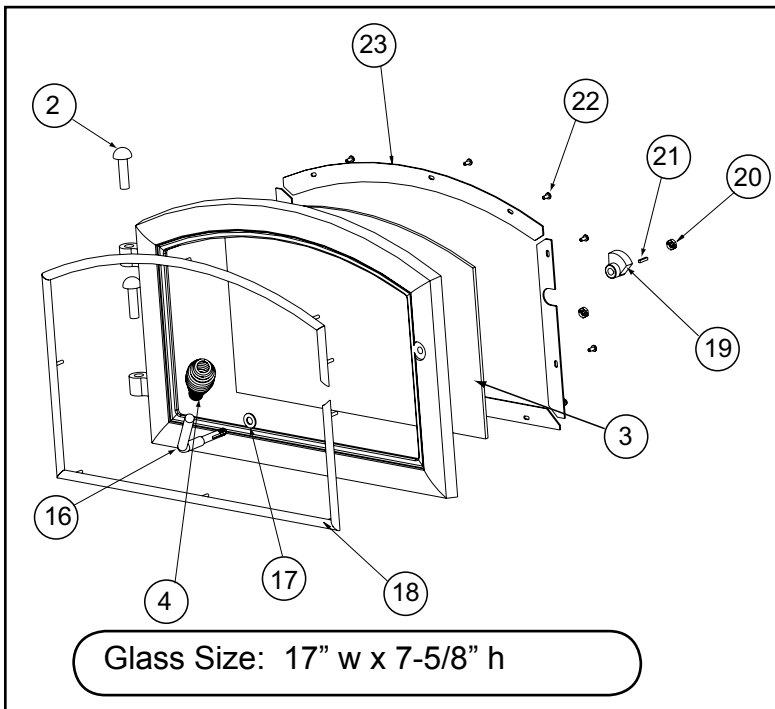
Item	Description	Item	Description	Item	Description
1	Door Assembly	6	Ash Lip	11	Baffle, Fiberboard
2	Hinge Pin	7	Blower Assembly	12	Blanket, Ceramic
3	Glass Assembly	8	Spring Handle, 1/4 in.	13	Top Assembly, Cast
4	Spring Handle, 1/2 in.	9	Leveling Leg, Right	14	Brick Set
5	Blower Housing	10	Leveling Leg, Left	15	Manifold Tube Set

Service Parts

IMPORTANT: THIS IS DATED INFORMATION. The most current information is located on the Quadra-Fire web site at www.quadrafire.com. When ordering, supply serial and model numbers to ensure correct part.

Item #	Part Description Alphabetical Order	SKU
6	Ash Lip Assembly	7007-008
11	Baffle, Fiberboard	7007-146
12	Blanket, Ceramic, 1/2" thick	832-3390
7	Blower Assembly	BK-7007
	Blower Cord with Speed Control	821-0110
5	Blower Housing	7007-116
	Blower Replacement (Motor Only)	812-4900
	Bracket, Hinge, Start-Up	7007-138
14	Brick Set	BRICK-7007
	Brick with hole	7007-153
	Brick, Uncut (Set of 6)	832-3040
	Brick, Uncut, Single	832-0550
19	Cam Latch (Door Handle)	430-1141
	Combustion Air Pan, Center	7007-115
	Combustion Air Pan, Left	7007-121
	Combustion Air Pan, Right	7007-120
	Component Pack for Insert (includes Owner's Manual, Touch-up Paint, Warranty Card, Permanent Label "If Fireplace Altered")	7007-004
	Component Pack for Black and Gold Door (Includes (2) Gold Hinge Pins (2) 1/4" and (1) 1/2" Gold Spring Handles)	7007-025
	Component Pack for Nickel Door (Includes (2) Nickel Hinge Pins (2) 1/4" and (1) 1/2" Nickel Spring Handles)	7007-026
	Convection Air Bottom	7007-124
	Cover, Air Control Box	7007-119
1	Door Assembly, Black	DR-27BK
1	Door Assembly, Gold Trim	DR-27GD
1	Door Assembly, Nickel Trim	DR-27NL
	Door Handle, Only	430-1131
16	Door Handle Assembly	832-0540
	Flue Tab	438-0010
	Gasket (Tape) Glass 3/4 in x 500 ft	842-3520
	Gasket, (Tape) Glass 3/4 inch x 5 ft	832-0460
	Gasket (Rope) Door, 3/4 in x 84 in	832-1680
3	Glass Assembly	7000-011
23	Glass Frame Set	832-1540
	Handle Door Formed	430-1131
2	Hinge Pins, Gold (2)	832-0250
2	Hinge Pins, Nickel (2)	430-5320
30	Key, Cam Latch (Door Handle)	430-1151
10	Leveling Leg, Left	7007-143
9	Leveling Leg, Right	7007-142
	Manifold Clip & (4) Screws	832-0661

Item #	Part Description Alphabetical Order	SKU
	Manifold Tubes, (Set of 3)	TUBES-7007
20	Nut, Locking (Door Handle)	832-1060 226-0100/24
	Quick Connect Collar	COLLAR-QC
	Rivnut Repair Kit	REPAIR-RIVNUT
22	Screw, Glass Frame, (10)	832-0860
	Speed Control for Blower	842-0370
8	Spring Handle, Air Control, 1/4", Gold (2 ea)	832-0630
8	Spring Handle, Air Control, 1/4" Nickel (1)	250-8340
4	Spring Handle, Door, 1/2", Gold	832-0620
4	Spring Handle, Door, 1/2", Nickel	250-8330
13	Top Assembly, Cast	SRV7007-029
	Touch-up Paint, MBK	7000-304
18	Trim Ring, Door, Gold	430-2702
18	Trim Ring, Door, Nickel	430-5350
	Upgrade, Door, NL	UK-DRNL
17	Washer, Spacing (Door Handle) (qty. 3)	832-0990
	Zero Clearance Adjustable Trim Support	ADJSPT-3



Item	Description	Part No.
2	Hinge Pins	Gold: 832-0250 Nickel: 430-5320
3	Glass Assembly	7000-011
4	Spring Handle, 1/2 inch	Gold: 832-0620 Nickel: 250-8330
16	Door Handle Assembly	832-0540
17	Washer, Spacing (qty. 3)	832-0990
18	Trim Ring for Door (Trim Door Assemblies only)	Gold: 430-2702 Nickel: 430-5350
19	Cam Latch	430-1141
20	Nut, Locking	832-1060 226-0100/24
21	Key, Cam Latch	430-1151
22	Screws, Glass Frame (10)	832-0860
23	Glass Frame Set	832-1540

Figure 23.1

Item #	ACCESSORIES (in alphabetically order)	Part Number
	Panel & Trim, Gold, Standard	SP-27S-GD
	Panel & Trim, Gold, Large	SP-27L-GD
	Panel & Trim, Nickel, Standard	SP-27S-NL
	Panel & Trim, Nickel, Large	SP-27L-NL
	Panel Trim set, Gold, Large	7000-009
	Panel Trim set, Gold, Small	7000-007
	Panel Trim set, Nickel, Large	7007-101
	Panel Trim set, Nickel, Small	7007-008

Item #	APPLIANCE	Part Number
	2700-I Wood Insert, Advanced Combustible Technology (ACT)	2700-I

Warranty Policy

Hearth & Home Technologies LIMITED WARRANTY

Hearth & Home Technologies (“HHT”) and its respective brands extends the following warranty for HHT gas, wood, pellet and electric appliances purchased from an authorized HHT dealer and installed in the United States of America or Canada. Warranty starts with date of purchase by the original owner (End User) except as noted for replacement parts.

Warranty Period		HHT Manufactured Appliances and Venting						Components Covered
Parts	Labor	Gas	Wood	Pellet	EPA Wood	Electric	Venting	
1 Year		X	X	X	X	X	X	All Parts and Material Except as covered by Conditions, Exclusion, and Limitations listed
2 years				X	X			Igniters, Electronic Components, and Glass
		X	X	X	X			Blowers
			X					Molded Refractory Panels
3 years				X				Firepots
5 years	3 years			X	X			Castings & Baffles
7 years	3 years		X	X	X			Firebox, HHT Chimney, Termination & Heat Exchanger
10 years	1 year	X						Burners, Logs & Refractory
Limited Lifetime	1 year	X						Firebox & Heat Exchanger
90 Days		X	X	X	X	X	X	All Replacement Parts
See Conditions, Exclusions, and limitations.								9-01-08

CONDITIONS, EXCLUSIONS & LIMITATION OF LIABILITY

- This warranty applies to the original owner and is transferable up to two years from date of purchase to the new homeowner, provided the purchase was made through an authorized dealer or distributor of HHT, and the appliance remains in its original place of installation.
- The maximum amount recoverable under this warranty is limited to the purchase price of the product.
- In no event shall HHT be liable for any incidental or consequential damages caused by defects in the product.
- Adjustments, regular maintenance, cleaning and temporary repairs, or the failure to duplicate the problem in the home is not covered under this warranty.
- This limited warranty does not extend to or include surface finish on the appliance or terminations, door gasketing, glass gasketing, glass discoloration, firebrick, pellet logs, kaowool or other ceramic insulating materials. Rust and/or corrosion on any of the metal surfaces, cast iron components, baffles, firepots, doors, or firebox area are not covered by this warranty.
- Noise resulting from minor expansion, contraction, or movement of certain parts is normal and complaints related to this noise are not covered by this warranty.

Hearth & Home Technologies LIMITED WARRANTY (Cont'd)

- HHT's obligation under this warranty does not extend to damages resulting from: (1) installation, operation or maintenance of the appliance not in accordance with the installation instructions; operating instructions and the listing agent identification label furnished with the appliance; (2) installation which does not comply with local building codes; (3) shipping, improper handling, improper operation, abuse, misuse, accident or unworkmanlike repairs; (4) environmental conditions, inadequate ventilation or drafting caused by tight sealing construction of the structure or handling devices such as exhaust fans or forced air furnaces or other such causes; (5) use of fuels other than those specified in the operating instructions; (6) installation or use of components not supplied with the appliance or any other components not expressly authorized and approved by HHT; and/or (7) modification of the appliance not expressly authorized and approved by HHT in writing.
- This warranty does not apply to non-HHT venting components, hearth components or other accessories used in conjunction with the installation of this product.
- This warranty is void if the appliance has been over-fired or operated in atmospheres contaminated by chlorine, fluorine, or other damaging chemicals the appliance is subject to prolonged periods of dampness or condensation, or there is any damage to the appliance or other components due to water or weather damage which is the result of, but not limited to, improper chimney or venting installation.
- HHT's liability under this warranty is limited to the replacement and repair of defective components or workmanship during the applicable period. HHT may fully discharge all of its obligations under such warranties by repairing the defective component(s) at HHT's discretion. Shipping costs are not covered under this warranty.
- Some states do not allow exclusions or limitation of incidental or consequential damages, so those limitations may not apply to you. This warranty gives you specific rights; you may also have other rights, which vary from state to state.
- EXCEPT TO THE EXTENT PROVIDED BY LAW, HHT MAKES NO EXPRESS WARRANTIES OTHER THAN THE WARRANTY SPECIFIED HEREIN. THE DURATION OF ANY IMPLIED WARRANTY IS LIMITED TO DURATION OF THE WARRANTY SPECIFIED ABOVE.

This Limited Warranty is effective on all HHT appliances sold after September 01, 2008 and supersedes any and all warranties currently in existence.


If warranty service is needed, you should contact your installing dealer. If the installing dealer is unable to provide necessary parts or components, contact the nearest authorized HHT dealer or supplier.


QUADRA-FIRE®

CONTACT INFORMATION:

Hearth & Home Technologies
1445 North Highway
Colville, WA 99114
Division of HNI INDUSTRIES

Please contact your Quadra-Fire dealer with any questions or concerns.
For the number of your nearest Quadra-Fire dealer,
please visit our web site at www.quadrafire.com

	CAUTION
	<ul style="list-style-type: none">• Do NOT discard this manual.• Important operating and maintenance instructions included.• Read, understand and follow these instructions for safe installation and operation.• Leave this manual with party responsible for use and operation.





Your Records for Model: 2700-I Wood Insert (ACT)

DEALERSHIP WHERE PURCHASED:

SERIAL NUMBER: _____

DATE PURCHASED: _____

DATE INSTALLED: _____

DEALER TELEPHONE: _____

This product may be covered by one or more of the following patents: (United States) 4593510, 4686807, 4766876, 4793322, 4811534, 5000162, 5016609, 5076254, 5113843, 5191877, 5218953, 5263471, 5328356, 5341794, 5347983, 5429495, 5452708, 5542407, 5601073, 5613487, 5647340, 5688568, 5762062, 5775408, 5890485, 5931661, 5941237, 5947112, 5996575, 6006743, 6019099, 6048195, 6053165, 6145502, 6170481, 6237588, 6296474, 6374822, 6413079, 6439226, 6484712, 6543698, 6550687, 6601579, 6672860, 6688302B2, 6715724B2, 6729551, 6736133, 6748940, 6748942, 6769426, 6774802, 6796302, 6840261, 6848441, 6863064, 6866205, 6869278, 6875012, 6880275, 6908039, 6919884, D320652, D445174, D462436; (Canada) 1297749, 2195264, 2225408, 2313972; (Australia) 780250, 780403, 1418504 or other U.S. and foreign patents pending.

