

Technical Data Sheet

Freeing Up the Primary Air Control On the Equinox Model 8000

Publish Date: 05/14/2009

Tools Required:

7/16" Wrench or Socket

3/8" Drill Bit

Power Drill

File

Hammer

Before You Begin: Work on a cool stove.

BE SURE TO ENGAGE PIN ON
SLIDER PLATE INTO THE SLOT
OF THE AIR CONTROL LEVER

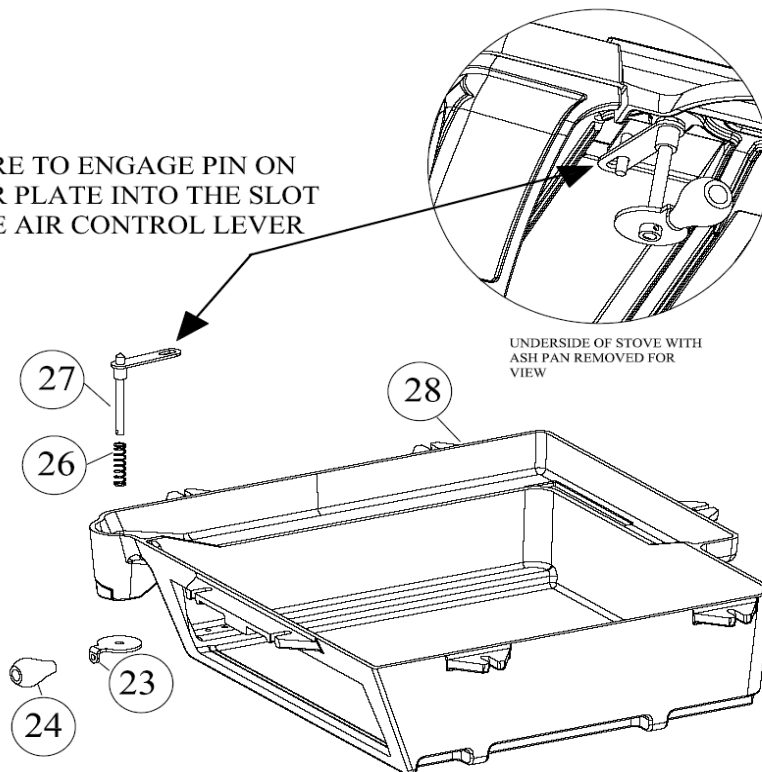


Illustration #1
The Ash Dump & Primary Air Handle Connection

1. Remove the ash pan door by first removing the two bolts located under the ash dump with the 7/16" wrench.
2. With the ash door removed and set aside, place a couple of boards directly under the ash dump. This will protect the hearth and allow you to work on the ash dump.
3. Remove the five bolts that hold the ash dump (28) to the bottom of the stove with a 7/16" wrench or socket. Gently drop the ash dump down onto the boards and pull it out to work on it.
4. Tap out the small roll pin (and retain for reassembly) in the linkage rod (27) so that you can lift out the linkage rod (27) and the spring (26) and washer (not shown). Using a power drill and 3/8" drill bit, drill through the hole in the ash dump (28) to slightly enlarge it. This should relieve the binding that can occur when the stove heats up and the cast pieces shift, ever so slightly. Place the spring and linkage rod back into the ash dump.
5. Before you replace the ash dump, reach up into the bottom and make sure the air shutter plate moves easily left to right. If you are experiencing any binding, the retaining bar above the plate may be bent in a restrictive position. This is a light metal piece that you can easily bend up to relieve this pressure.
6. Once you are confident that the plate moves freely, use a small drill bit to feel around the long slotted hole in the extension arm on the linkage rod (27). If you feel any burrs, they should be filed off so that there is free movement on the linkage rod.

These repairs should correct any binding a/o obstruction that is occurring in this connection. It may have been any one, or a combination of all these items that caused the issue. By checking and correcting them all, the air control should now work properly for the life of the unit.

7. With the washer ,spring, and linkage properly installed (remember to tap the roll pin back into the linkage rod), lift up the ash dump (making sure the pin that extends down from the shutter plate drops into the slot in the extension on the linkage rod – as shown in the circled portion of the illustration) and position it so that the bolts can be rethreaded back into the bottom to attach the ash dump back onto the bottom.
8. Line up the ash door and secure it by turning in the two screws previously removed.
9. Check the primary air control for fit and function.