



Clydesdale

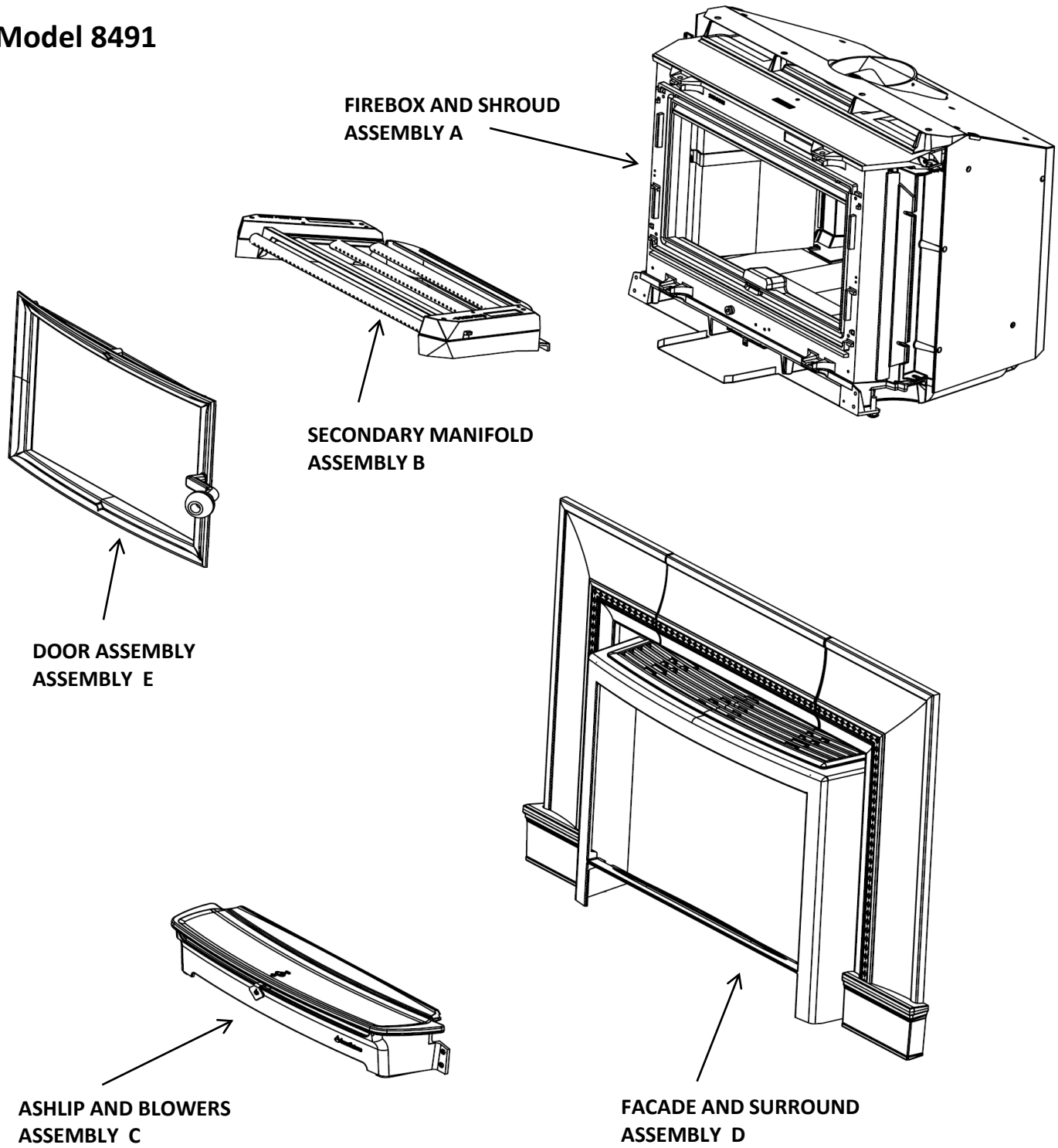
Model 8491

Non-Catalytic, Wood Burning

Illustrated Parts List

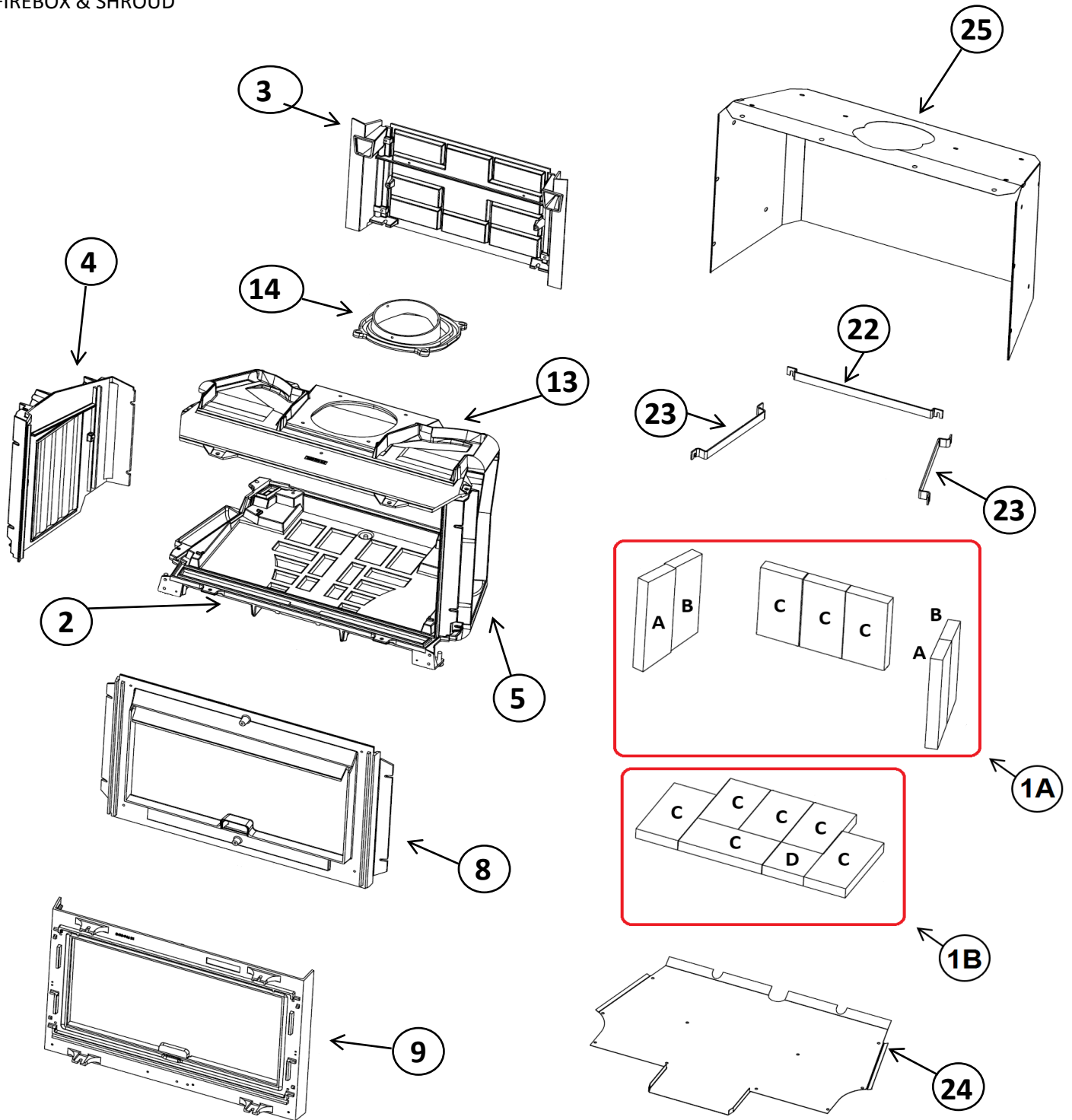
CLYDESDALE I

Model 8491



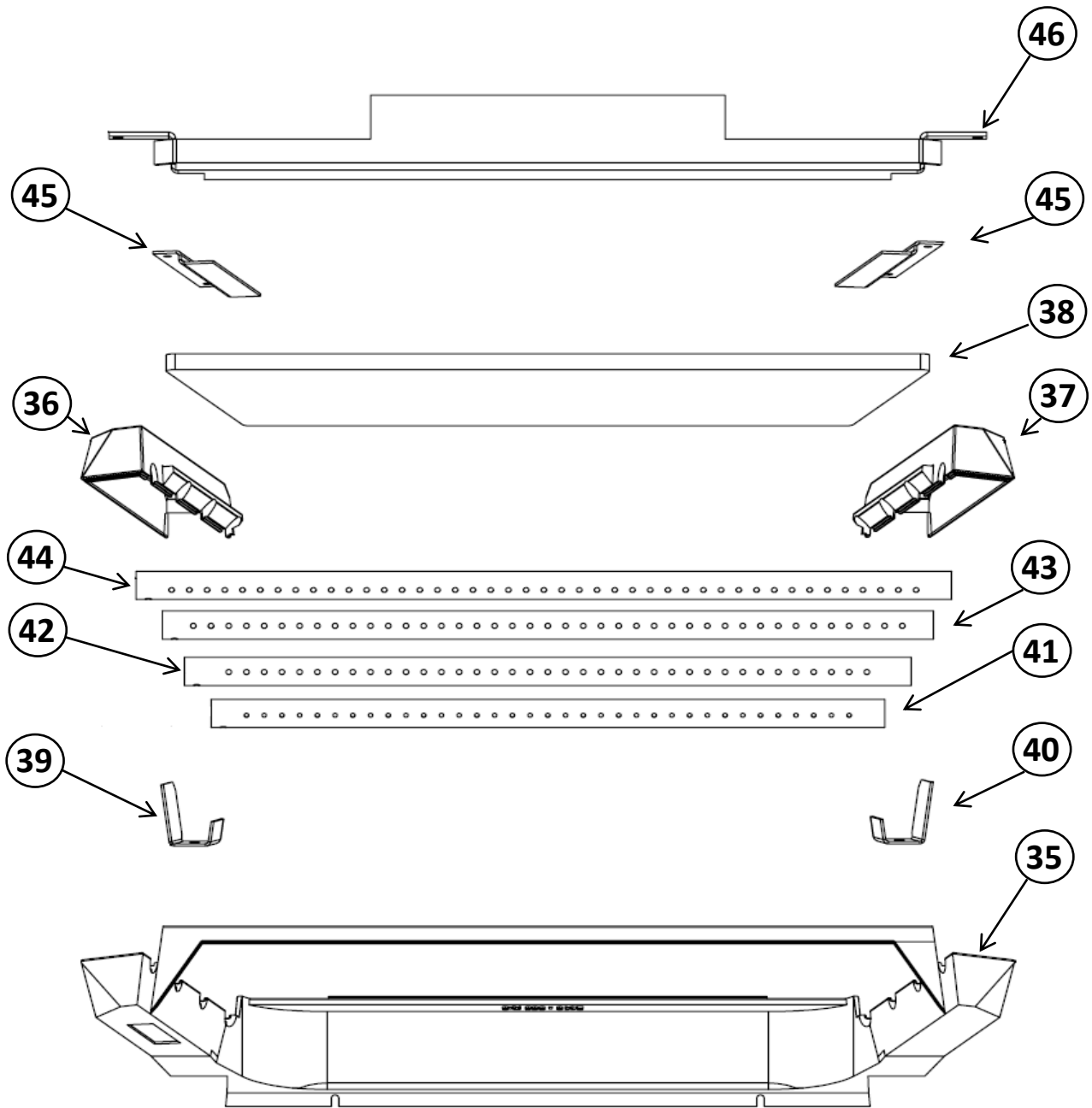
ASSEMBLY A

FIREBOX & SHROUD



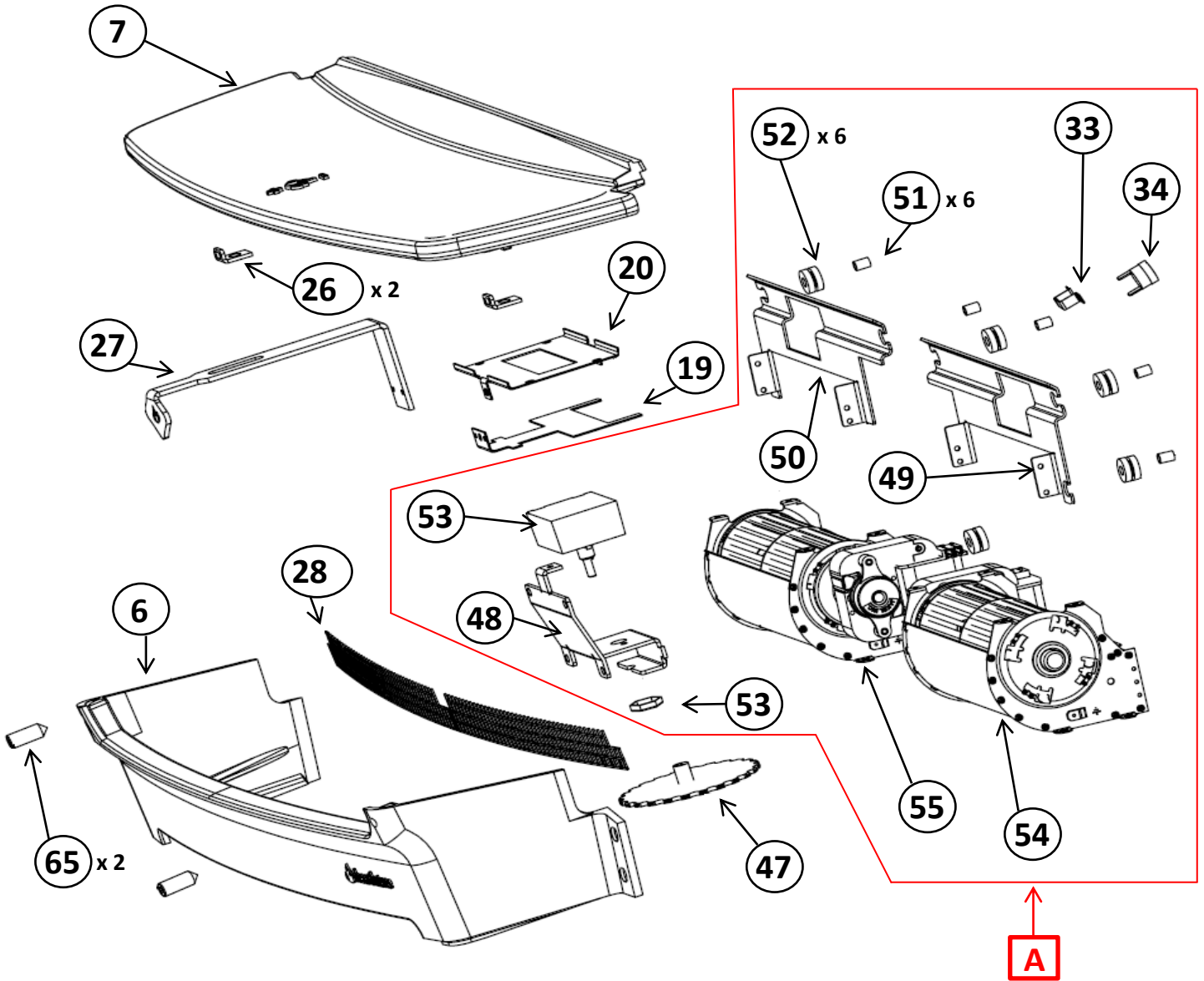
ASSEMBLY B

SECONDARY MANIFOLD



ASSEMBLY C

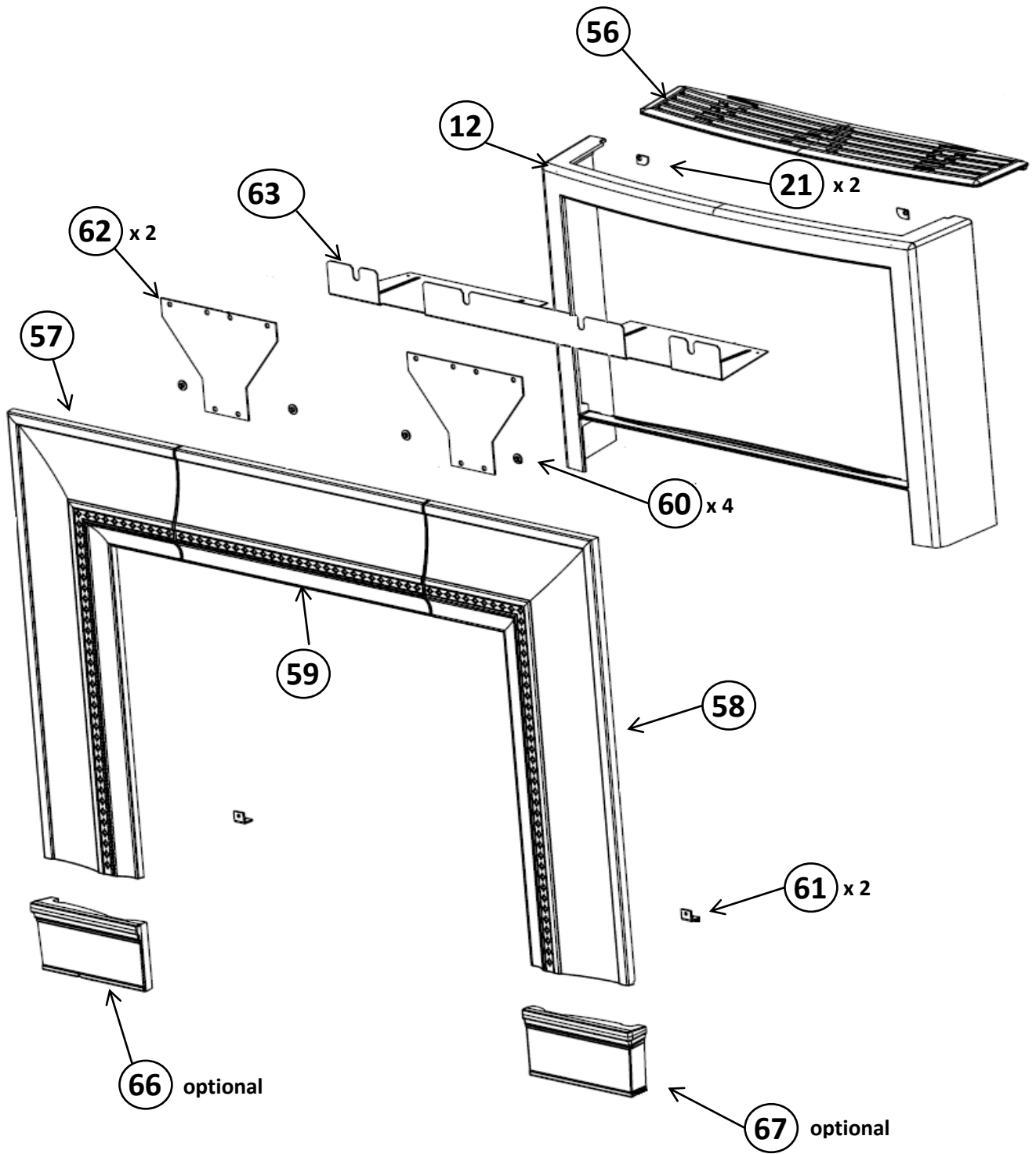
ASHLIP & BLOWERS



A AVAILABLE IN BLOWER ASSEMBLY KIT 94-57910

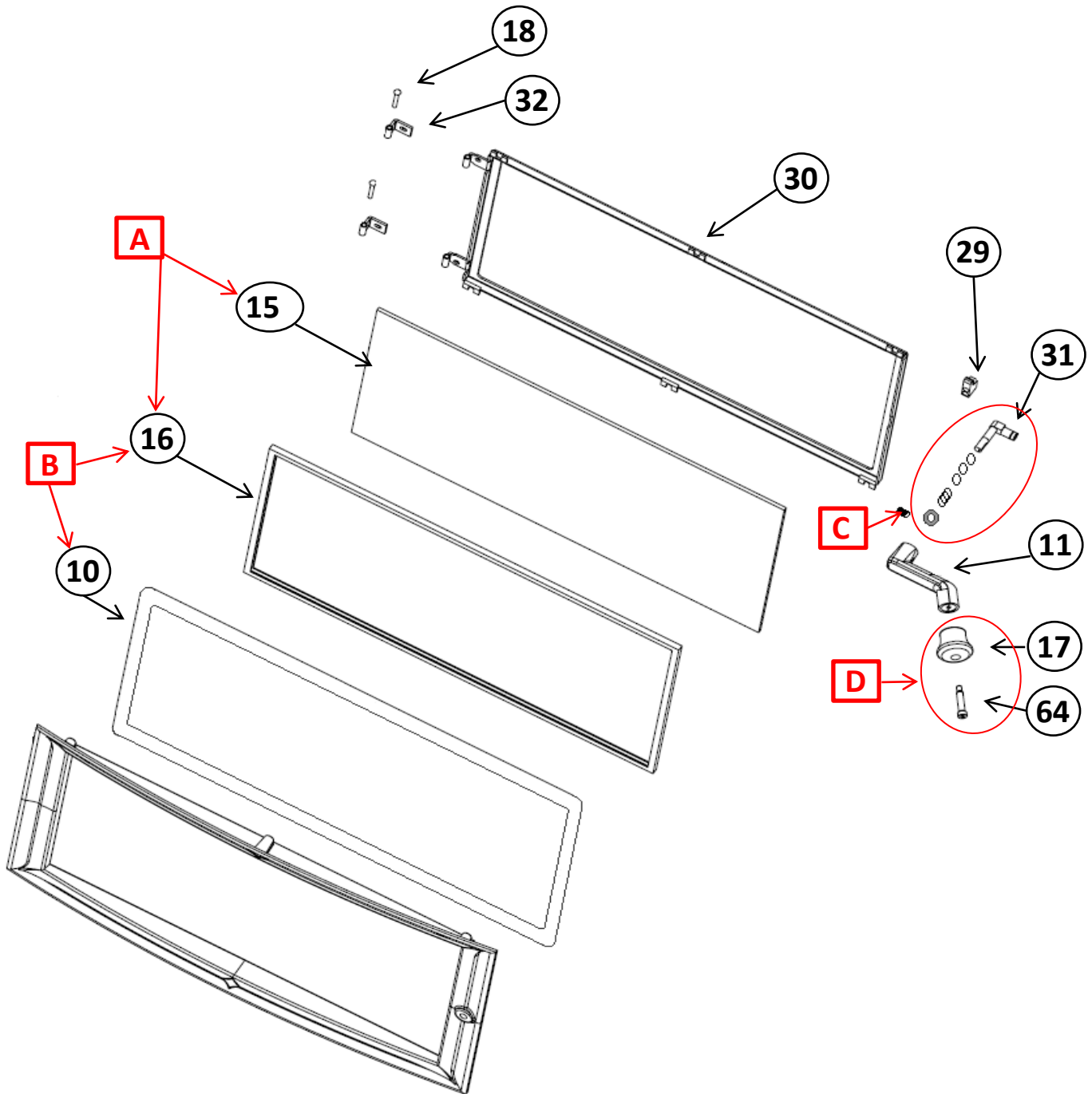
ASSEMBLY D

ASHLIP & BLOWERS



ASSEMBLY E

DOOR ASSEMBLY



A AVAILABLE IN GLASS KIT 94-58910

B AVAILABLE IN DOOR GASKET KIT 94-58912

C AVAILABLE IN FRONT DOOR LATCH KIT 94-73910

D AVAILABLE IN DOOR HANDLE KIT 94-71910



hearthstone

Assembly Key	Component	Object description	QTY
A	1A	1-0400-903A STONE SET: REFRACTORY,CLY, VERTICAL STONES	1
	1B	1-0400-903B STONE SET: REFRACTORY,CLY, HORIZONTAL STONES <i>STONES ALSO SOLD INDIVIDUALLY</i>	
	A	1-0400-900 LARGER SLANT-CUT STONE	2
	B	1-0400-901 SMALLER SLANT-CUT STONE	2
	C	1-0400-101 RECTANGULAR CUT STONE	9
	D	1-0400-902 SQUARE CUT STONE	1
A	2	2410-901 BOTTOM: CLY 1	1
A	3	2410-905 BACK: CLY	1
A	4	2410-910 SIDE: LEFT,CLY	1
A	5	2410-915 SIDE: RIGHT,CLY	1
C	6	2410-926 ASH LIP BASE: MATTE,CLY 1	1
C	7	2410-927 ASH LIP COVER: MATTE,CLY 1	1
A	8	2410-940 PLENUM: AIR,PRIMARY,CLY	1
A	9	2410-946 FRONT: CLY 1	1
E	10	2410-947 DOOR: MATTE, CLY 1	1
E	11	2310-617 HANDLE: FRONT/SIDE DOOR, MATTE	1
D	12	2410-951 FRONT: FACADE,MATTE,CLY 1	
A	13	2410-970 TOP: CLY	1
A	14	2410-975 COLLAR: FLUE,CLY	1
E	94-58910	GLASS KIT (INCLUDES)	
	15	3030-049 GLASS: 12-5/16"x22-7/8"x5mm,CLY 1	1
	16	3160-080 GASKET: TAPE,3/4"x1/16",AD (1985'/SPO	8.5 ft
E	94-71910	HANDLE KIT (INCLUDES)	
	17	3900-187 HANDLE: WOOD,CLY 1	1
	64	4100-0285 SOCKET HEAD SCREW	1
E	18	4400-0300 RIVET: 3/16x1-3/8",ROUND,STEEL,BLK ZN	1
A	19	5490-013 SLIDE: PRIMARY AIR CONTROL,CLY	1
A	20	5490-014 CAP: PRIMARY AIR,CLY	1
D	21	5490-020 CLIP: FACADE RETAINER,CLY	2
A	22	5490-050 RETAINER: FIREBRICK,REAR,CLY	1
A	23	5490-055 RETAINER: FIREBRICK,SIDE,CLY	2
A	24	5491-010 SHROUD, AIR, BOTTOM ,CLY 1	1
A	25	5491-011 SHROUD BOX: AIR,CLY 1	1
C	26	5491-012 BRACKET: ASHLIP COVER, CLY 1	2
C	27	5491-013 HANDLE: PRIMARY AIR CONTROL,CLY 1	1
C	28	5491-035 SCREEN: ASH LIP,CLY 1	1
E	29	5491-045 CATCH: DOOR LATCH, CLY 1	1
E	30	5491-046 RETAINER: DOOR GLASS, CLY 1	1



hearthstone

Assembly Key	Component	Object description	QTY
E	94-73910	LATCH KIT (INCLUDES)	
	31 5491-048	LATCH ASSEMBLY: DOOR, CLY 1	1
	4500-2976	SCREW: Set 5/16-18x3/8"	1
	4700-0790	SPACER: 0.435"x0.375"x0.03"	3
	5021-032	WASHER: FLAT .046"IDx1"ODx0.35"	1
	5240-138	SPRING: LATCH, WOOD STOVE	1
E	32 5491-085	HINGE BRACKET, DOOR, CLY 1	2
C	33 5870-022	STRAP: T'STAT SWITCH,DVI 32/TUC 1 DV	1
C	34 7000-301	SWITCH: T'STAT,BLOWER,TUC 1/WIN/DVI 32	1
B	36 2410-960	PLENUM: AIR,SECONDARY,LEFT,CLY	1
B	37 2410-965	PLENUM: AIR,SECONDARY,RIGHT,CLY	1
B	38 3120-490	BOARD: CERAMIC,BAFFLE,CLY	1
B	39 5490-058	COLLAR: PLENUM,SECONDARY AIR,LEFT,CLY	1
B	40 5490-059	COLLAR: PLENUM,SECONDARY AIR,RIGHT,CLY	
B	40 5490-059	COLLAR: PLENUM,SECONDARY AIR,RIGHT,CLY	1
B	41 5490-071	PIPE: AIR,SECONDARY,#1,CLY	1
B	42 5490-072	PIPE: AIR,SECONDARY,#2,CLY	1
B	43 5490-073	PIPE: AIR,SECONDARY,#3,CLY	1
B	44 5490-074	PIPE: AIR,SECONDARY,#4,CLY	1
B	45 5490-075	BRACKET: BAFFLE, CLY	2
B	46 5490-080	SUPPORT: BAFFLE, SS, CLY	1
C	47 5491-014	WHEEL: BLOWER SPEED CONTROL,CLY 1	1
C	48 5491-015	BRACKET: BLOWER SPEED CONTROL,CLY 1	1
C	49 5491-027	BRACKET: FAN SUPPORT, RH ,CLY 1	1
C	50 5491-030	BRACKET: FAN SUPPORT, LH, CLY 1	1
C	51 5491-090	BUSHING:CLY1,BLOWR,3/16ID"x.359"	6
C	52 7000-130	GROMMET:SIL.45"PANELX.25"ID,M-633,EQU	6
C	53 7200-601	CONTROL: MOTOR,AC,VARIABLE SPEED,BLOWERS	1
C	54 7211-946	FAN: BLOWER,ASSY,RIGHT,CLY 1	1
C	55 7211-947	FAN: BLOWER,ASSY,LEFT,CLY 1	1
D	56 2410-952	GRILL, MATTE,CLY 1	1
D	57 2410-993	SURROUND: LEFT,MATTE,CLY 1	1
D	58 2410-994	SURROUND: RIGHT,MATTE,CLY 1	1
D	59 2410-991	SURROUND: STRAIGHT,MATTE,CLY 1	1
D	60 5012-066	BUSHING: SHUTTER,PRI AIR	4
D	61 5470-039	BRACKET: LEVELING,SURROUND,MOR/CLY	2
D	62 5491-043	PLATE: CONNECTOR,SURROUND,CLY 1	2
D	63 5491-087	SURROUND BRACKET: SLIDING, CLY 1	1
E	64 4100-0310	SCREW: SHOULDER,5/16"Dx1 1/4"L,SOCKET	1
C	65 4500-4685	SCREW: SET,5/16-18x1",CONE POINT,SOCKET	2
D	66 2410-996	CAP: SURROUND, LEFT	1
D	67 2410-997	CAP: SURROUND, RIGHT	1



Assembly Key	Component	Object description	QTY
ITEMS NOT SHOWN ON ILLUSTRATION (NS)			
	94-57910	BLOWER KIT (INCLUDES)	
	4400-0203	RIVET: BLIND, 1/8"x1/8", SS SEALED	8
	4500-2060	SCREW: T-CUT, 10-24x5/16" PAN	2
	5491-016	BRACKET: BLOWER SPEED CONTROL	1
	5491-027	BRACKET: FAN SUPPORT, RH	1
	5491-030	BRACKET: FAN SUPPORT, LH	1
	5491-090	BUSHING: 3/16IDx.375	6
	7000-018	18AWG, 105C, 600V, GREEN	1.5ft
	7000-047	TERMINAL: QD, 22-16G, MAL, NYLON	5
	7000-055	TERMINAL: QD, 22-18G, FEM, T-TAP	3
	7000-056	TERMINAL: RING, 22-18G, #8	3
	7000-130	GROMMET: SIL.45" PANELX.25ID	6
	7200-510	POWER CORD: 3x101, 96" W/TERM	1
	7200-601	CONTROL: MOTOR, AC, VARIABLE SPEED	1
	7211-946	FAN: BLOWER, ASSY, RIGHT	1
	7211-947	FAN: BLOWER, ASSM, LEFT	1
NS	94-599010	SURROUND EXTENSION	1
NS	94-5991XX	SURROUND KIT XX; 10=MATTE; 59=BLUE/BLACK; 20=BROWN	
HARDWARE			
Assembly A	3110-059	GASKET: FLUE COLLAR, 3/8" ROPE, MED DEN	2.8ft
	4500-1210	BOLTS: FLU COLLAR, 1/4-20x1-1/4" HEX, SS	4
	4600-0400	WASHERS: LOCK FOR ABOVE, 1/4", ZN	4
	4200-0250	NUT: FINISHING FOR 2 ABOVE LINES, 1/4-20, SS	4
	3110-057	GASKET: TOP CAST CHANNEL: 3/8" ROPE, AD, NON-CORE	11ft
	3110-940	GASKET: PRIMARY MAN. CHANNEL, 3/8" ROPE, AD, NON COR	6.6ft
	3110-053	GASKET: DOGHOUSE, 3/16" ROPE, AD, LOW DEN	.5ft
	3110-057	GASKET: FRONT CAST CHANNEL, 3/8" ROPE, AD, NON-COR	6.6ft
	3110-051	GASKET: FRONT CAST DOOR, 1/2" ROPE, LOW DEN, BLK	10.5ft
	3110-053	GASKET: ASH LIP CHANNEL, 3/16" ROPE, AD, LOW DEN	2.10ft
	4500-1575	SCREW: PRIMARY TO FRONT, 1/4"-20x2-3/4", ROUND, PH, ZN	4
	4500-1355	SCREW: PRIMARY TO FRONT, 1/4"-20x1-1/2", ROUND, PH, BL	2
	4600-0300	WASHERS: FLAT FOR ABOVE, 1/4", 3/4"OD BLK	6
	2410-910	GASKET: LFT.SIDE CAST.TO BODY, 3/8" ROPE, AD, NON-COR	2.7ft
	3110-051	GASKET: BACK CASTING CHANNEL, 1/2" ROPE, LOW DEN, BL	2.8ft
	4500-3436	SCREW: AIR CONTROL SLIDE, 10-24x3/8" T-CUT, PAN, BLK	4
	4100-0127	BOLT: BOTTOM CAST LEVELING, CARRIAGE, 3/8-16x1-1/2"	3
	4200-0420	NUT: LOCKING, FOR ABOVE, 3/8-16", HEX, ZN	3



hearthstone

Assembly Key	Component	Object description	QTY
Assembly A	4500-3436	SCREW: BTM SHROUD TO BTM CAST, 10-24x3/8", PAN, BLK	10
	3110-057	GASKET: BTM CAST CHANNELS, 3/8" RIPE, AD, NON-CORE	11ft
	4500-0900	SCREW: BTM CAST TO BACK CAST, 14-20x1", HEX, GR 5	2
	4600-0300	WASHER: FLAT, FOR ABOVE, 1/4", 3/4"OD, BLK	2
	4500-1200	SCREW: SIDE CASTS TO BK CAST, 1/4-20x1-1/4" HEX, GR 5	4
	4600-0300	WAHSER: FLAT, FOR ABOVE	8
	4200-0300	NUT: LOCK, FOR 2 ABOVE LINES, 1/4-20, HEX, ZN	4
	4500-0900	SCREW: FRONT/PRI ASM TO BTM CAST, 1/4-20x1", HEX, GR 5	2
	4500-1200	SCREW: SIDES TO BTM CAST, 1/4-20x1-1/4", HEX, GR 5	4
	4600-0300	WASHER: FLAT, FOR 2 ABOVE LINES, 1/4", 3/4"OD, BLK	12
	4200-0300	NUT: LOCK, FOR 2 ABOVE LINES, 1/4-20, HEX, ZN	6
	4500-0570	SCREW: FIREBRICK RETAIN. TO CAST, 1/4-20x1/2", HEX, SS	6
	4600-0300	WASHER: FLAT, FOR ABOVE, 1/4", 3/4"OD, BLK	6
	4500-2140	SCREW: PRIMARY REST STOP, 10-24x1", SOCK, SS	2
	4600-1210	WASHER: FLAT, FOR ABOVE, 10, SAE, BLK OX	2
	4600-1230	WASHER: LOCK, FOR 2 ABOVE LINES, 10, INTERN. TH., BLK	2
	4500-1200	SCREW: TOP TO BODY OF STOVE, 1/4-20x1-1/4", HEX, GR 5	6
	4600-0300	WASHER: FLAT, FOR ABOVE, 1/4", 3/4"OD, BLK	12
	4200-0300	NUT: LOCK, FOR 2 ABOVE LINES, 1/4-20, HEX, ZN	6
	4500-0400	SCREW: SIDE CAST TO BACK CAST, 1/4-20x3/4", HEX, ZN, GR2	4
	4600-0300	WASHER: FLAT, FOR ABOVE, 1/4", 3/4"OD, BLK	4
	4500-3100	SCREW: DRAFT TEST HOLE PLUG, 5/16-18x3/4", HEX, BL, GR2	1
	4500-1876	SCREW: SHROUD TO TOP FRONT, 10-24x1/2", PAN, PH, BLK	4
4500-3436	SCREW: SHROUD TO STOVE BODY, 10-24x3/8", PAN, PH, BLK	16	
4600-1210	WASHER: FLAT, FOR ABOVE 2 LINES, #10, BLK	20	
Assembly B	4500-1876	SCREW: LFT & RT PLENUM COLLARS TO LOWER, 10-24x1/2"	2
	4600-1230	WASHER: LOCK FOR ABOVE, #8, INTERNAL TOOTH	2
	4500-1680	SCREW: UPPER TO LOWER MANIFOLD, 1/4-20x3-1/4", SLOT, Z	4
	4500-3436	SCREW: BAFFLE BRACKETS TO PLENUM, 10-24x3/8", PAN, BL	4
Assembly C	4500-3436	SCREW: SNAP DISK HOLDER, 10-24x3/8", PAN, PH, BLK	2
	4400-0100	RIVET: AIR CONTROL HANDLE TO GATE, 1/8x1/4", GRIP, SS	2
	4500-1876	SCREW: AIR CONTROL HANDLE TO BRACKET, 10-24x1/2", PH	1
	4600-1400	WASHER: WAVE, FOR ABOVE, 5/16, 0.030" HEIGHT	1
	5012-066	BUSHING: FOR ABOVE 2 LINES	1
	4500-2145	SCREW: BLOWER ASSEM. TO STOVE, 10-24x1/2"	6
	4600-1210	WASHER: FLAT, #10 FOR ABOVE	6
	4500-4690	SCREW: SET, BLOWER SPEED WHEEL, 10-24x3/8", SOCKET	1
	4500-3436	SCREW: SCREEN RETENTION, 10-24x3/8", PAN, PH, BLK	8
	4500-1876	SCREW: SPEED CONTROL BRACKET TO ASH LIP, 10-24x1/2"	4
4500-3065	SCREW: ASH LIP FRONT TO STOVE, 5/16-18, BUTTON HD	4	
4500-0540	SCREW: FAÇADE RETENTION CLIP, 1/4-20x3/8", PAN, PH, ZN	2	



Assembly Key	Component	Object description	QTY
Assembly C	4500-1876	SCREW: ASH LIP ADJUST, 10-24x1/2", PAN, PH, BLK	2
	4500-4690	SCREW: SET, ASH LIP LEVELER, CENTER, 10-24x3/8", SOCKET	2
	4200-0700	NUT: FINISHING, FOR ABOVE, 5/16-18	1
	4500-1910	SCREW: ASH LIP LOCKING CLIPS, 10-24x1/2", FLAT, PH	2
	4500-1230	WASHER: LOCKINIG FOR ABOVE, INTERNAL TOOTH, #10	2
	4500-4685	SCREW: SET, ASH LIP RETENTION, 5/16-18x1", CONE POINT	2
Assembly D	4500-0700	SCREW: 1/4-20x5/8", HEX, BLK	2
	4500-1876	SCREW: 10-24x1/2" PAN, PH, BLK	20
	5012-066	BUSHING: SHOULDER	4
	4500-0570	SCREW: 1/4-20x1/2", HEX, SS	2
	4600-1210	WASHER: FLAT, #10, BLK	12
Assembly E	4500-2114	SCREW: GLASS RET. FRAME, 10-24x3/8", PAN, PH, BLK	6
	4500-1876	SCREW: GLASS RET. FRAME, HINGE SIDE, 10-24x1/2", PAN	2
	4600-1210	WASHER: #10 FOR ABOVE	2
	5491-045	SCREW: DOOR LATCH CATCH, CAP, 10-24x1", SOCK, SS	2
	4500-0420	SCREW: DOOR HINGE, HEX, 1/4-20x3/4", BLK	4