

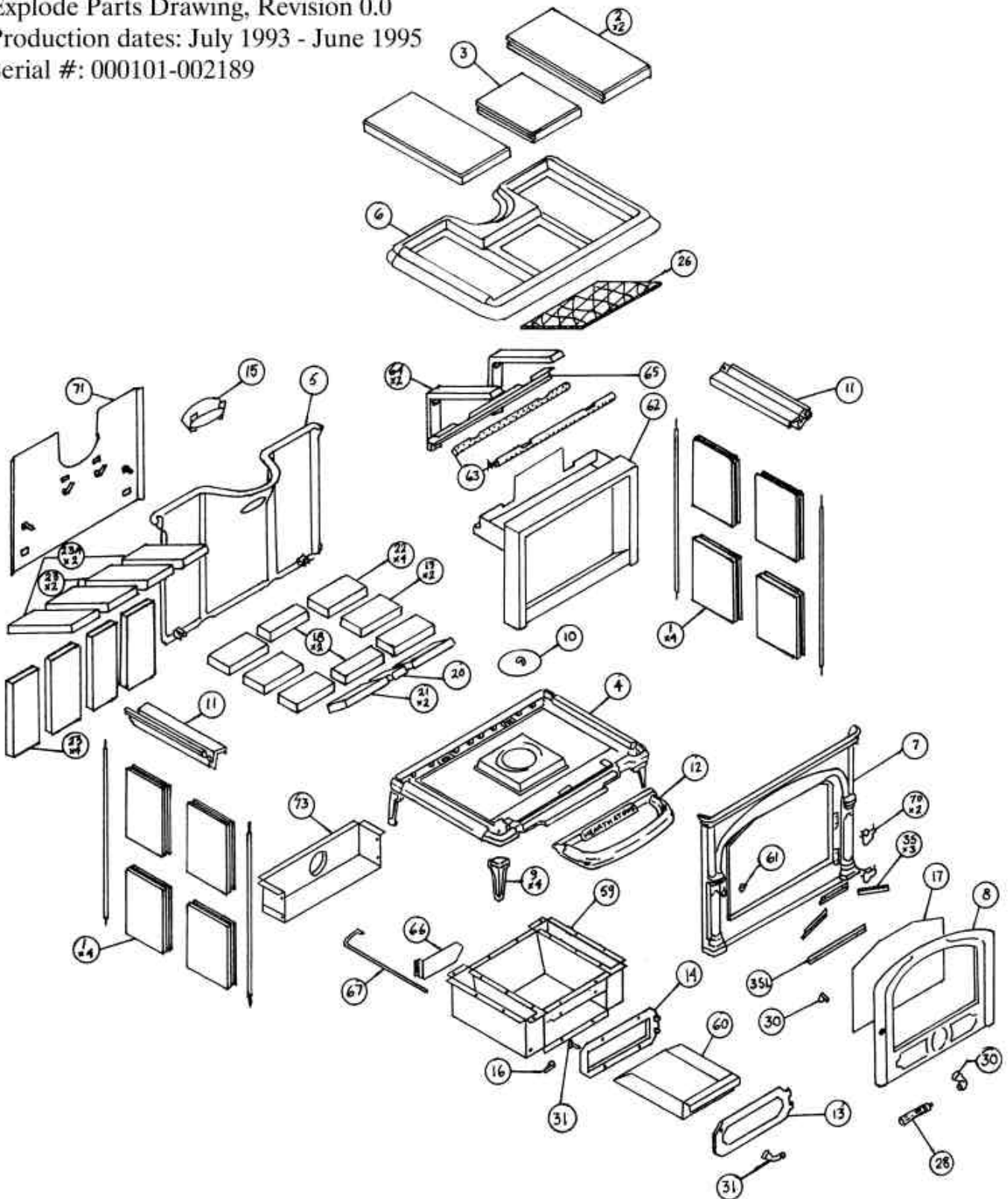
Phoenix Model# 8610

Wood Stove Heater

Explode Parts Drawing, Revision 0.0

Production dates: July 1993 - June 1995

Serial #: 000101-002189





Model: Phoenix #8610

Production Dates: July 1993 - June 1995

Serial #: 000101 - 002189

Note: Color must be specified for cast iron parts which are available in enamel.

Key	Part #	Description
1	1641-301	Side Stone 9 1/2" x 7 3/4"
2	1641-302	Top Side Stone 13 7/8" x 4 7/8"
3	1641-303	Top Center Stone 11 3/8" x 8 1/4"
4	2610-001	Bottom Cast
5	2610-002	Rear Cast Panel
6	2610-003	Top Cast
7	2610-004	Front Cast Panel
8	2610-005	Front Door
9	2610-006	Leg
10	2610-008	Ash Pan Lid
11	2610-009	Side Rib
12	2610-010	Ash Lip
13	2610-011	Ash Pan Door
14	2610-012	Ash Pan Door Frame
15	2610-016	Flue Collar
16	2610-054	Air Control Handle
17	<b>96-58605</b>	<b>Phoenix Glass Kit</b> Includes: Phoenix Glass IR 10 3/8" x 15 3/4" x 5mm (4 1/3") Gasket: Tape 3/4" Adhesive Backed
18	3080-421	Bottom Center Firebrick 1.811 x 8.07 x 1.25"
19	3080-422	Bottom Side Center Firebrick 2.75 x 6.625 x 1.25"
20	3080-423	Front Center Firebrick 3.40 x .787 x 1.25"
21	3080-424	Front Side Firebrick 3.4 x 8.875 x 1.25"
22	3080-425	Bottom Side Corner Firebrick 4.437 x 6.626 x 1.25"
23	3080-426	Baffle Firebrick 4.5 x 9 1.25"
23A		Baffle Firebrick
24	<b>96-58601</b>	<b>Phoenix Gasket Kit</b> Includes:

		(2 3/4")Gasket: Rope 1/4" Black Adhesive Backed
		(4 1/2")Gasket Rope 3/8" Adhesive Backed
		(4 1/3") Gasket Tape 3/4" Adhesive Backed
		Gasket Glue
26	3120-280	Dura Blanket 1/4" 8# 2400
27	3180-080	Glass Gasket 3/4" Tape
<b>28</b>	<b>90-71100</b>	<b>Wooden Handle Assembly</b>
		Includes:
		Wood Handle
		1/4-20 x 3 1/4" Bolt
		(2) 1/4" Lock Washer
29	5210-3060	Threaded Rod 1/4-20 x 20 5/8" x 5/8"
<b>30</b>	<del>96-73120</del>	<b>Front Latch Assembly</b> Part number now 96-73121
		Includes:
		(2) Set Screw
		(4) Spacer
		Handle Crank
		Wave Spring
		Door Latch
<b>31</b>	<b>96-58621</b>	<b>Ash Door Latch Assembly</b>
		Includes:
		(2) Set Screw
		(4) Spacer
		Handle Crank
		Wave Spring
		Door Latch
34	5600-053	Secondary Air Clip
35	5990-129	Window Clip
49	4500-2975	Set Screw 5/16-18 x 1/4"
55	5000-008	Spline 1/8" x 3/4" x 7"
56	5000-014	Spline 1/8" x 3/4" x 10 3/4"
57	5000-020	Spline 1/8" x 3/4" x 17 5/16"
58	5600-022	Air Inlet Box
59	5600-023	Ash Pan Box
60	5600-024	Ash Pan
61	5600-030	Front Door Catch
62	5600-032	Primary Air Manifold & Baffle
63	5600-034	Stainless Steel Air Pipe
64	5600-035	Secondary Air Rise Tube
65	5600-036	Rear Baffle Support
66	5600-038	Air Control Slide

67	5600-039	Air Control Rod
70	5600-052	Front Door Hinge
71	5930-2000	Optional Rear Heat Shield
72	99-204	Rear Heat Shield Clip
<b>73</b>	<b>96-56320</b>	<b>Optional Outside Air Kit</b>