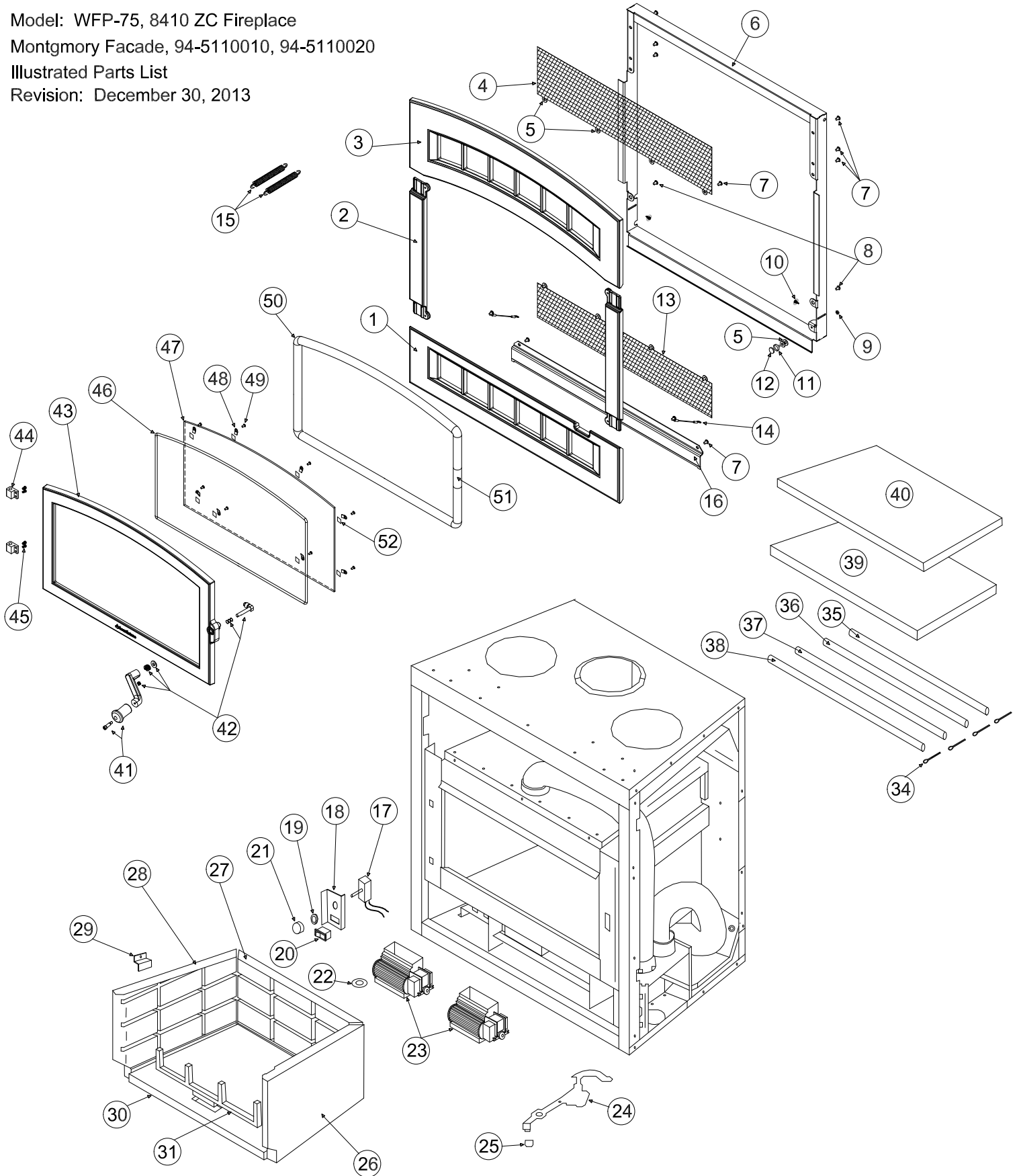


Model: WFP-75, 8410 ZC Fireplace

Montgomery Facade, 94-5110010, 94-5110020

Illustrated Parts List

Revision: December 30, 2013





Model: WFP-75 Model 8410 w/Montgomery Façade

Production Dates:

Serial #:

Note: Specify color for enameled cast iron parts.

Key	Part #	Description	QTY.
1	2410-100	FACADE: BOTTOM, MONTGOMERY, WFP 75	1
2	2410-105	FACADE: SIDE, MONTGOMERY, WFP 75	2
3	2410-120	FACADE: TOP, MONTGOMERY, WFP 75	1
4	5410-030	SCREEN: FACADE: TOP, MONTGOMERY, WFP 75	1
5	4600-0300	WASHER: Flat, 1/4, USS, BLK OX (3/4" OD)	12
6	5410-010	FRAME: FACADE, WFP 75	1
7	4500-0540	SCREW: MACH, 1/4-20x3/8", PAN, PH, BL OX	18
8	4500-0430	SCREW: MACH, 1/4-20x5/8", PAN, PH, BL OX	2
9	4200-0855	NUT: FINISHING, 10-24, HEX, ZN	1
10	4500-0025	SCREW: S-TAP, #8 X1/2", HEX, ZN	2
11	5120-066	MOUNT: MAGNET, TDR	1
12	4700-0800	MAGNET: VALVE DOOR, 3/4"Dx3/16", CHA/ST	1
13	5410-025	SCREEN: FACADE, BOTTOM, MONTGOMERY WFP 75	1
14	5410-020	CABLE: DOOR STOP, WFP 75	2
15	5240-152	SPRING: EXT, ZNC-PLTD, 8" X .5" X .063" OD	2
16	5410-015	HINGE: FACADE: BOTTOM, WFP 75	1
17	7000-211	RHEOSTAT WITH NUT	1
18	5950-701	RHEOSTAT BRACKET	1
19	7200-014	RHEOSTAT NUT	1
20	7000-210	ROCKER SWITCH 2 POSITION MSR-8	1
21	7211-405	RHEOSTAT KNOB	1
22	7000-310	THERMODISC F110-20F	1
23	7211-941	CROSSFLOW BLOWER 115V-60Hz-39W 100 CFM	2
24	5360-002	AIR CONTROL MECHANISM	1
25	3030-039	CAP: AIR CONTROL HANDLE, WFP-75	1
26	3120-413	RIGHT REFRACTORY SLAB	1
27	3120-411	REAR REFRACTORY SLAB	1
28	3120-412	LEFT REFRACTORY SLAB	1
29	5360-004	REFRACTORY SLAB RETAINER	1
30	3120-410	FLOOR REFRACTORY SLAB	1
31	2410-115	ANDIRON, MONTGOMERY, WFP 75	1

Key	Part #	Description	QTY.
34	4300-0010	STAINLESS STEEL COTTER PIN 1/8" X 1 1/2"	4
35	5410-071	REAR SECONDARY AIR TUBE	1
36	5410-072	REAR CENTER SECONDARY AIR TUBE	1
37	5410-073	FRONT CENTER SECONDARY AIR TUBE	1
38	5410-074	FRONT SECONDARY AIR TUBE	1
39	3120-414	BOARD: CERAMIC,WPF-75	1
40	3120-415	BAFFLE INSULATION 24 3/16" x 20 5/8" x 14 3/4" x 1"	1
41	93-71600	HANDLE KIT: FRONT/SIDE, DOOR, MCR (contains the following)	
	3900-191	HANDLE: WOOD,STAINED,FRNT/SIDE, MCR	1
	4100-0285	SCREW: SHOULDER,5/16"Dx3/4"L,SOCKET	1
42		LATCH KIT: FRONT DOOR, WFP-75 (contains the following)	
	2310-617	HANDLE: FRONT/SIDE DOOR, MATTE, MCR	1
	5410-045	LATCH ASSEMBLY: DOOR, WFP 75	1
	5240-138	SPRING: LATCH,WOOD STOVES,325#	1
	4600-0800	WASHER: FLAT,5/16,USS (7/8" OD),BLK ZN	1
	4700-0790	SPACER: DOOR LATCH,0.435"x0.375"x0.03"	1
	4500-2976	SCREW: SET,5/16-18x3/8",HALF DOG,SOCKE	1
43	2410-110	DOOR, MONTGOMERY, WFP 75	1
44	5410-035	HINGE: DOOR, WFP 75	2
45	4500-2130	SCREW: SHCS,LOW,10-24X3/8",BL OX	4
46	3110-056	GASKET: ROPE,1/4",BLK,AD (1496'/SPOO	6.5 ft
47	3030-068	GLASS: 25.3"x13.6", MONTGOMERY, WFP 75	1
48	5370-068	CLIP: GLASS,SHE	8
49	4500-2105	SCREW: MACH,10-24x3/8",UND-CUT,FLAT,PH	8
50	3110-067	GASKET: ROPE,1", (06) DEN,BLK (300'/BOX)	7
51	3160-854	TAPE: 40MM, HI TEMP FIBERGLASS, ADHESIVE	0.33 ft
52	3120-372	GASKET: GLASS CLIP,SHE	8