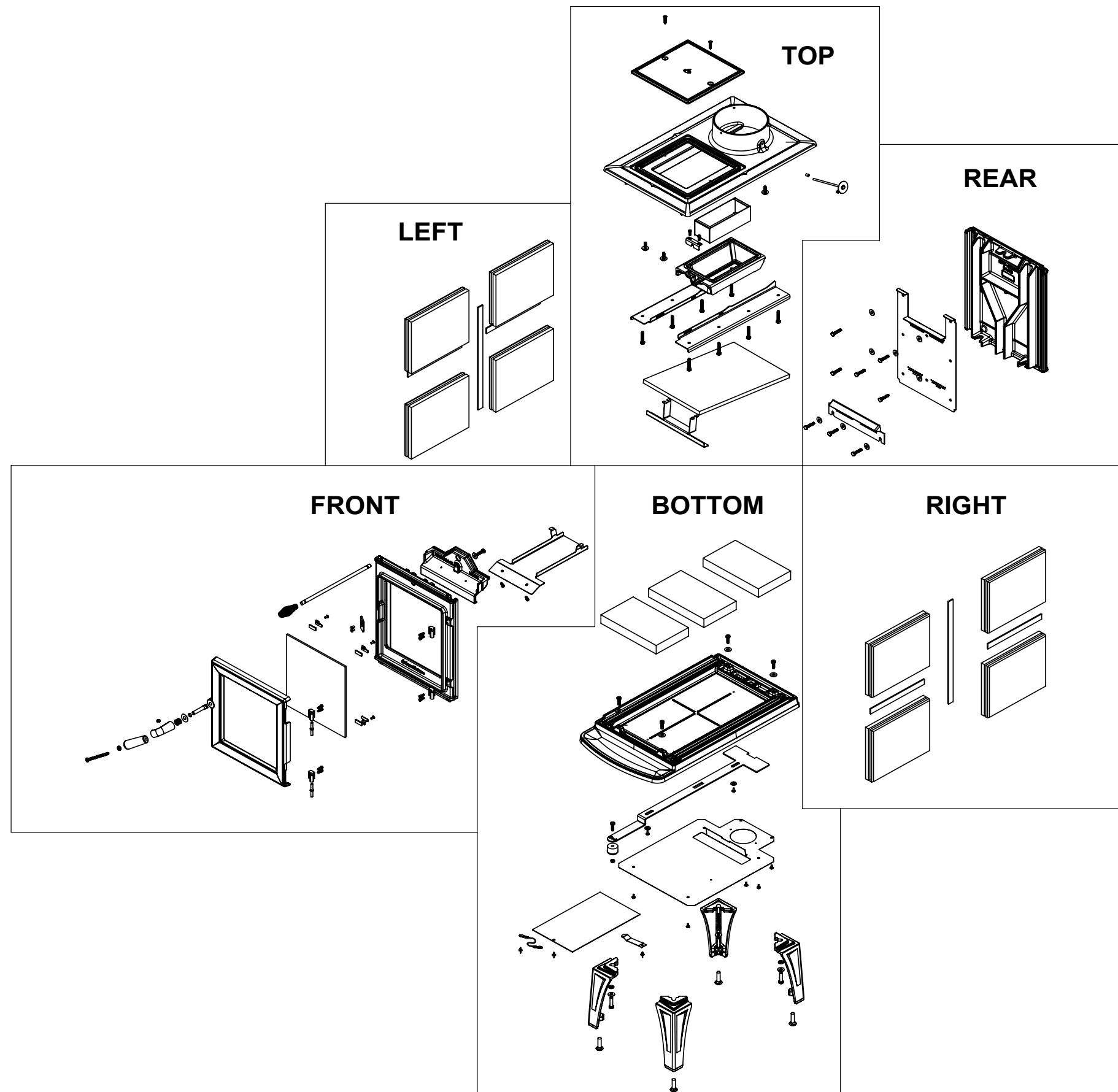




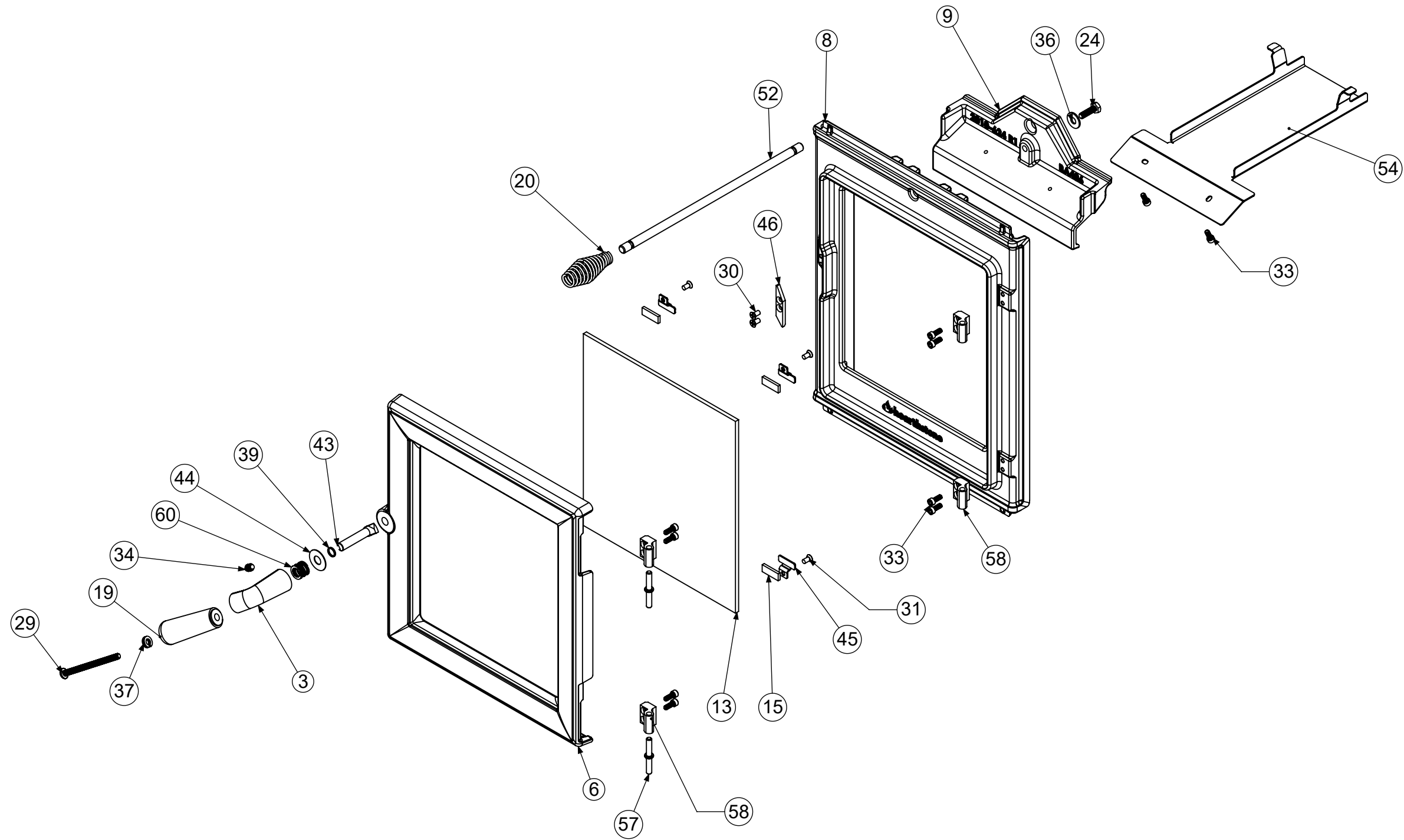
# LINCOLN 8060



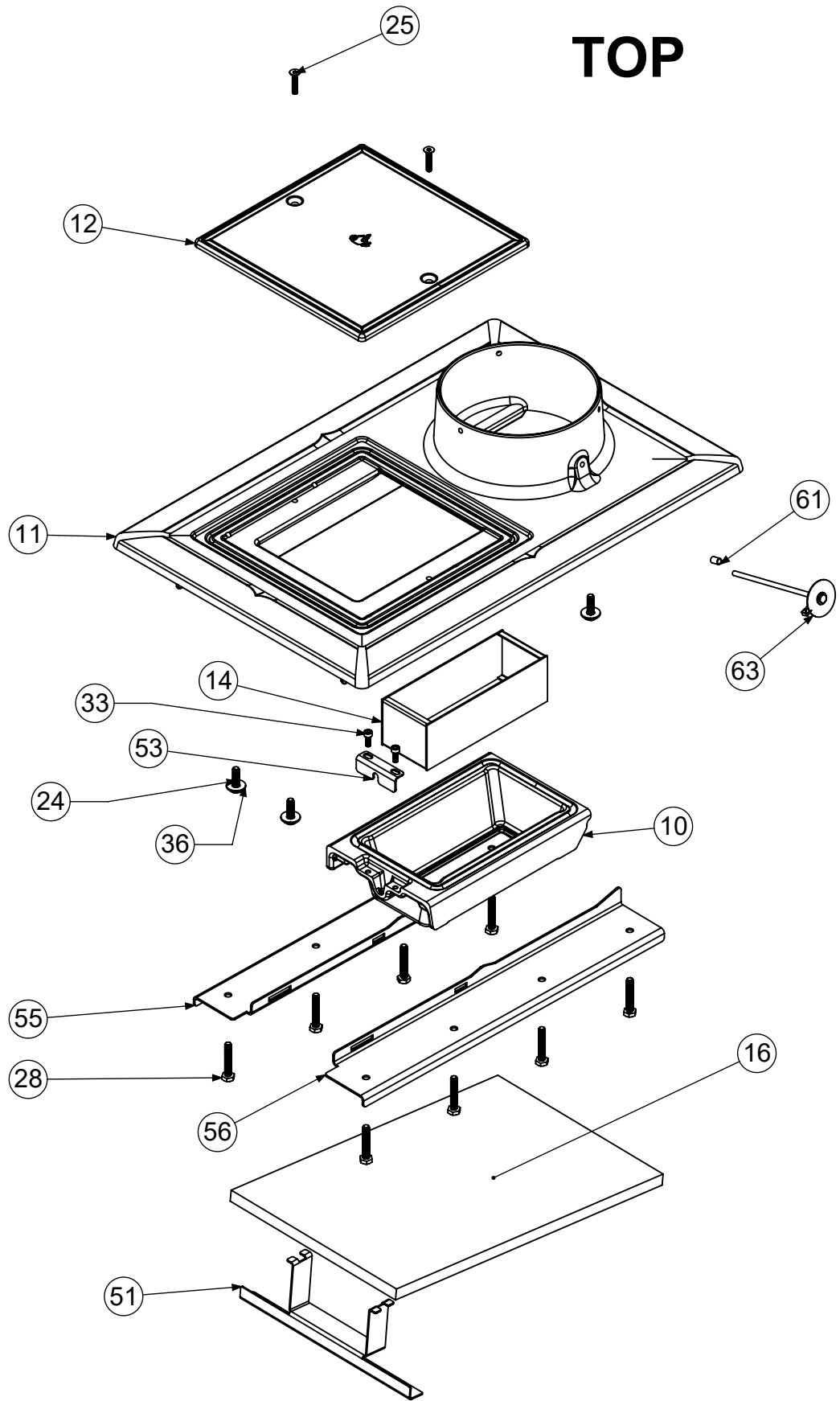
## Illustrated Parts List



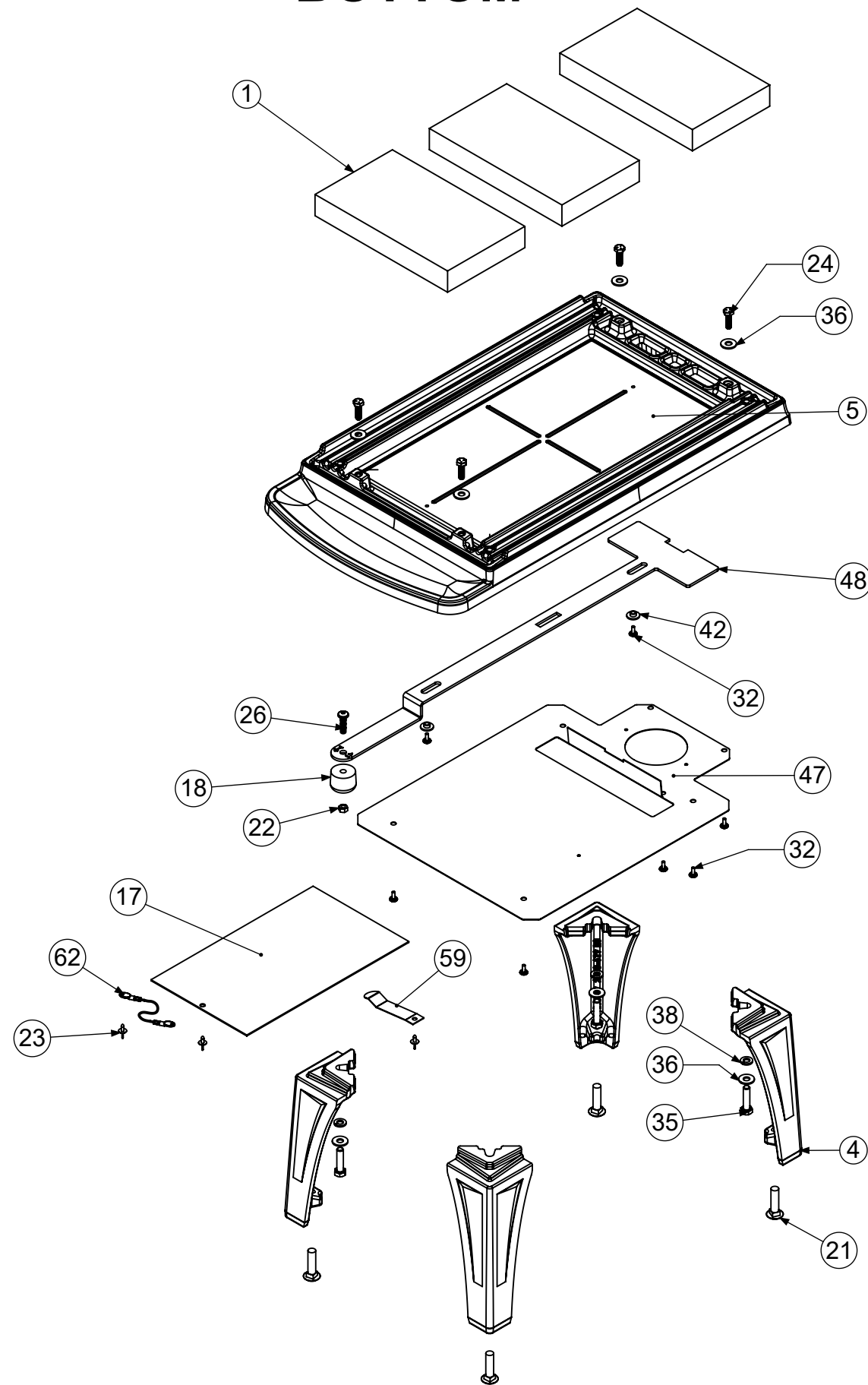
# FRONT

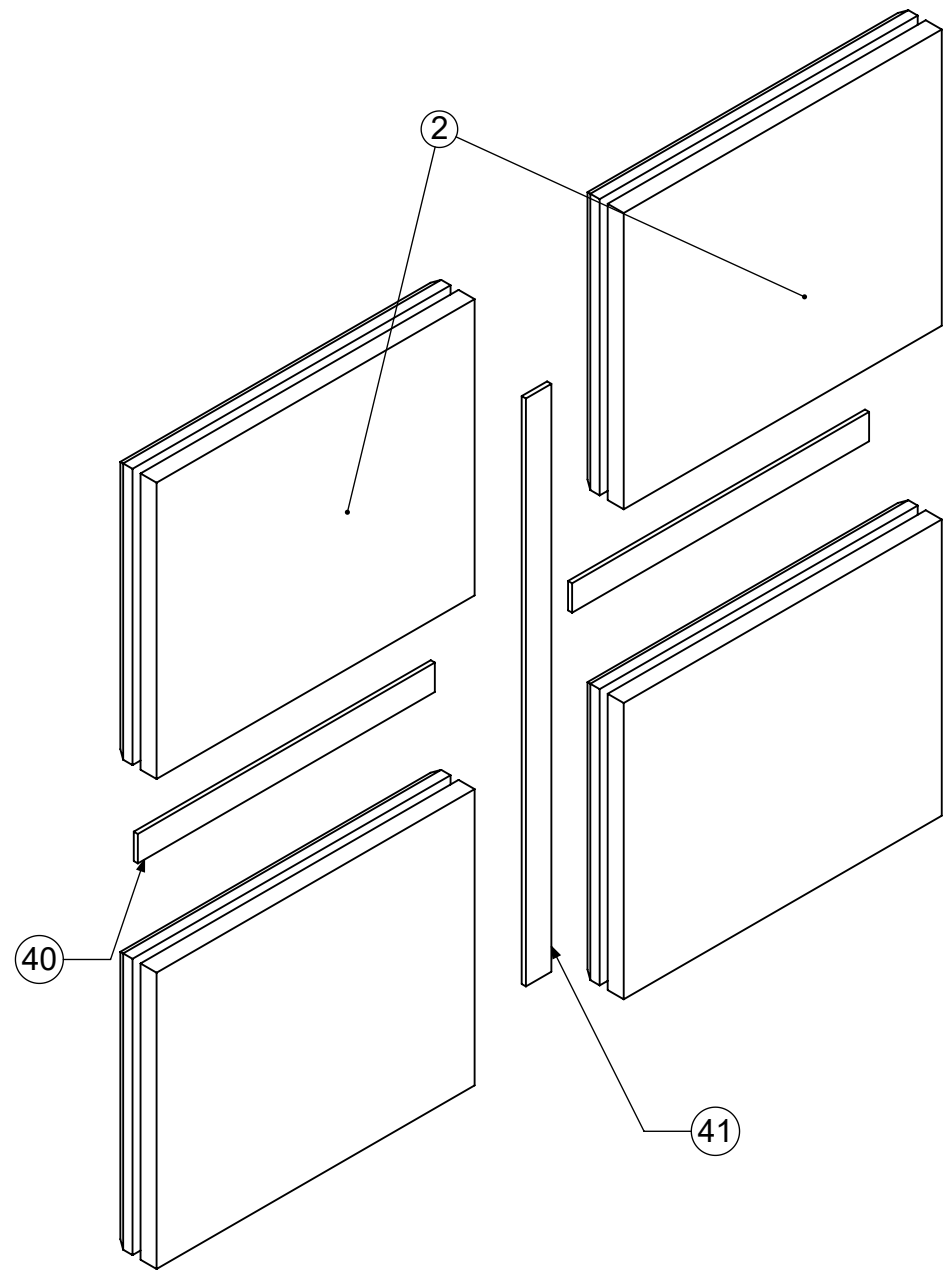


# TOP

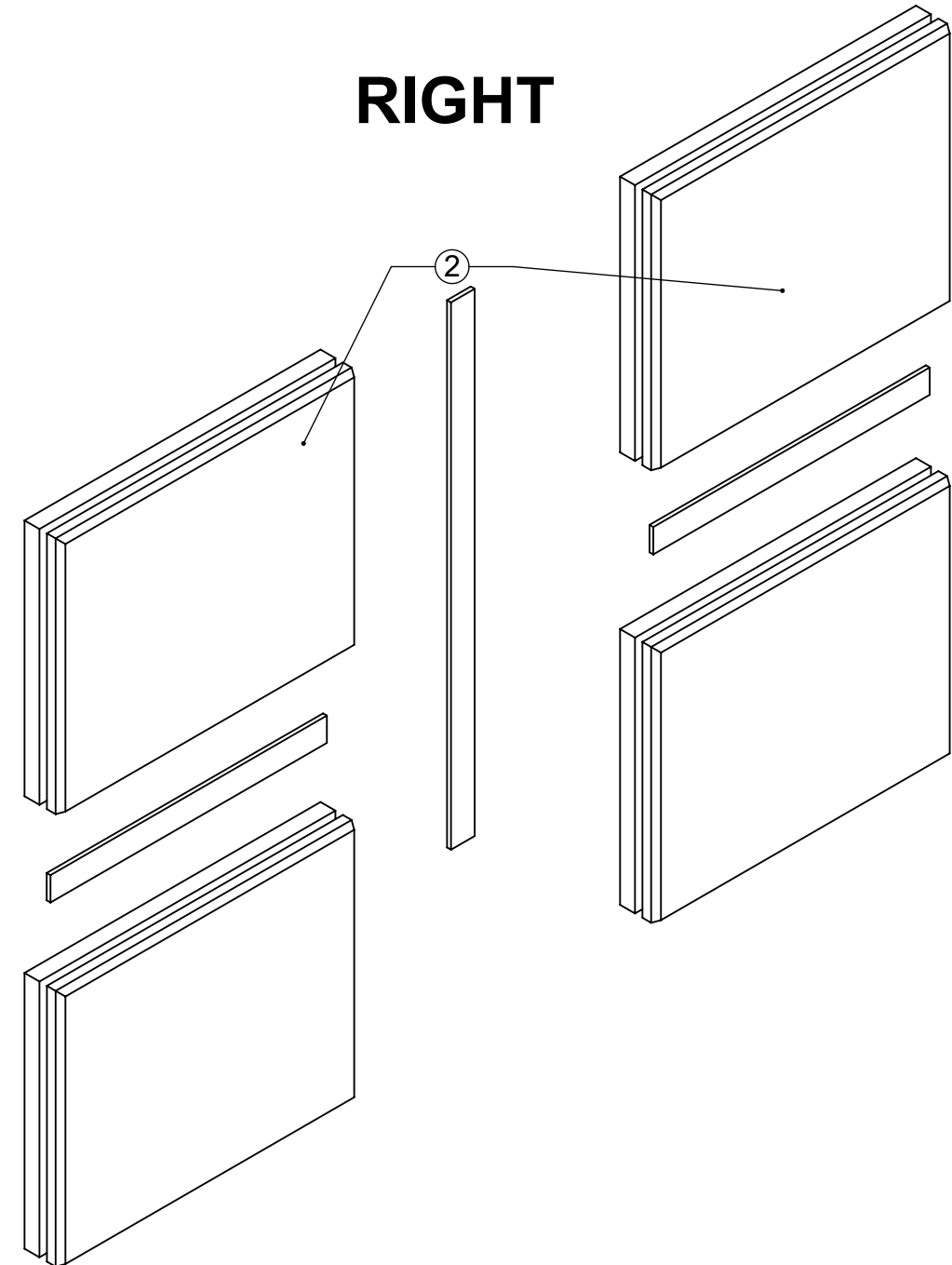


# BOTTOM



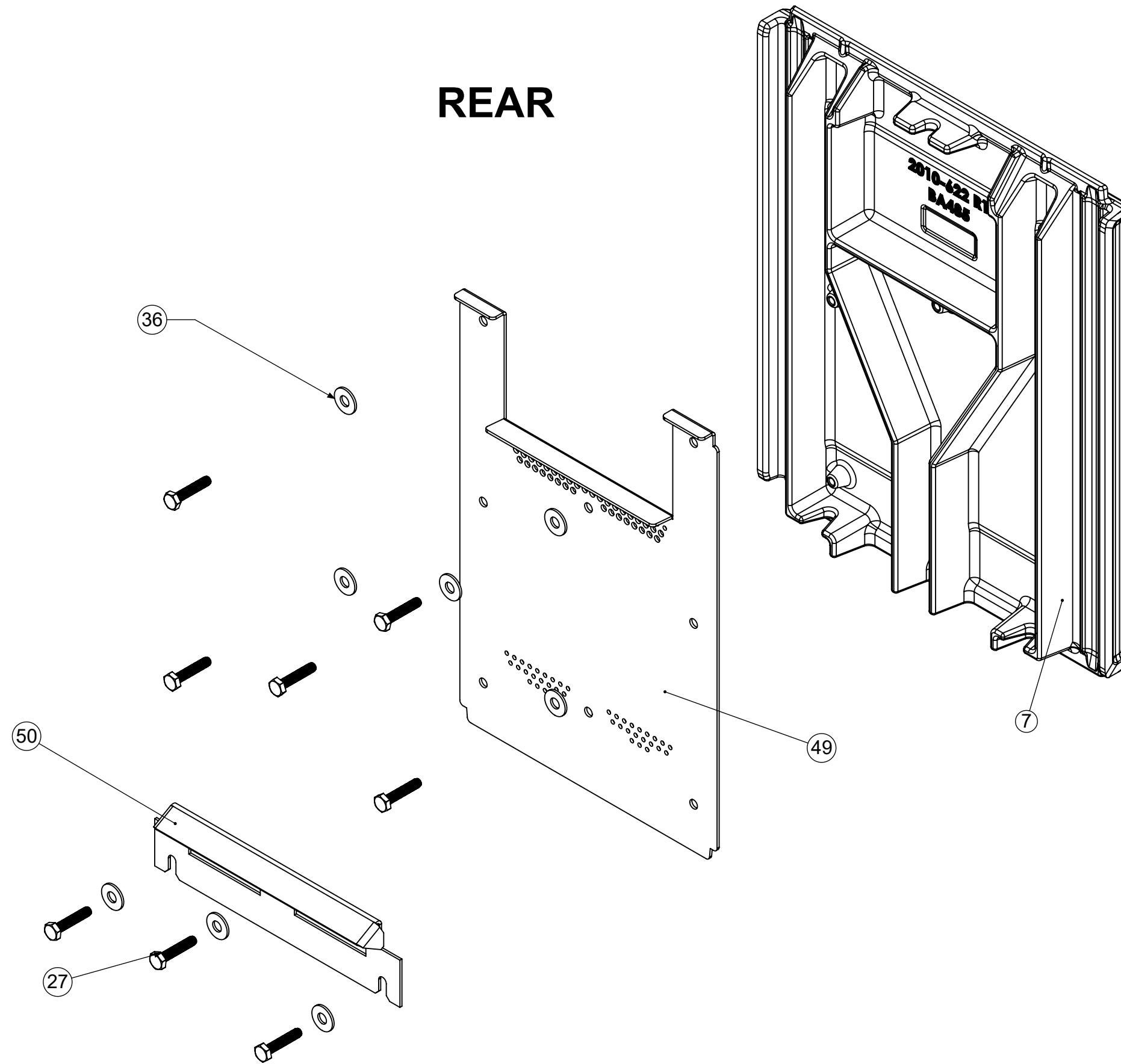


**LEFT**



**RIGHT**

# REAR



# BILL OF MATERIALS

ITEM NO.	PART NUMBER	DESCRIPTION	QTY.
1	1-0000-405	STONE: REF,5-1/4"x9"x1-1/4",LIN	3
2	1041-610	STONE, SIDE, LIN	8
3	2010-254*	HANDLE CRANK, CAST	1
4	2010-619	FOOT	4
5	2010-620	BOTTOM CASTING	1
6	2010-621	DOOR	1
7	2010-622	BACK CASTING	1
8	2010-623	FRONT CASTING	1
9	2010-624	AIRWASH	1
10	2010-625	CATALYST SLED	1
11	2010-626	TOP CASTING	1
12	2010-627	COOK PLATE	1
13	3030-061*	GLASS	1
14	3050-020	CATALYST: METAL,PLATINUM, 6 x 2.5 x 2	1
15	3120-021*	GASKET: GLASS CLIP,BLACK, HER 1/TRI/BRI	4
16	3120-060*	BAFFLE	1
17	3300-764	LABEL: SAFETY/RATING, LIN	1
18	3900-173	PRIMARY AIR KNOB	1
19	3900-179*	WOOD HANDLE	1
20	3900-310	BYPASS HANDLE	1
21	4100-0127	BOLT: CARRIAGE,3/8-16x1-1/2	4
22	4200-0200	NUT: FINISHING,1/4-20,HEX,ZN	1
23	4400-0100	RIVET: BLIND,1/8x1/4" GRIP,SS (CCP-4	3
24	4500-0702	SCREW: CAP,1/4- 20x7/8",HEX,GRADE 5,BL OX	8
25	4500-1020	SCREW:FHCS,10-32x3/8",SS	2
26	4500-1040	SCREW: BHCS,1/4-20x1", BL OX	1
27	4500-1200	SCREW: CAP,1/4-20x1- 1/4",HEX,GRADE 5,B	8
28	4500-1205	SCREW: CAP,1/4-20x1-1/2",HEX,BL OX	8



29	4500-1680*	Screw: Mach 1/4-20, 3-1/2, Round, Slot, Zn	1
30	4500-1910	SCREW: MACH,10-24x3/8",FLAT,PH,	2
31	4500-2105*	SCREW: MACH,10-24x3/8",UN-CUT,FLAT,PH,	4
32	4500-2114	SCREW: MACH,10-24x3/8",PAN,PH,BLK OX	10
33	4500-2132	SCREW: SHCS,10-24x1/2",BL OX	12
34	4500-2976*	SCREW: SET,5/16-18x3/8",HALF DOG,SOCKET	1
35	4500-3220	SCREW: CAP,5/16-18x1-1/4",HEX,ZN,GR5	4
36	4600-0300	WASHER: FLAT,1/4,USS,BLK OX (3/4" OD)	20
37	4600-0400*	WASHER: LOCK,1/4",SPLIT,ZN	2
38	4600-0850	WASHER: LOCK,5/16,SPLIT,MED,ZN	4
39	4700-0790*	SPACER: DOOR LATCH,0.435"x0.375"x0.03"	2
40	5000-011	SPLINE: 8-3/4x3/4x1/8	4
41	5000-031	SPLINE 1/8"-3/4"-15"	2
42	5012-066	BUSHING	2
43	5021-022*	LATCH	1
44	5021-032*	WASHER: FLAT,.406"IDx1"ODx.035"T,BLK	1
45	5021-060*	GLASS CLIP	4
46	5030-060	STRIKER	1
47	5060-005	INLET AIR COVER	1
48	5060-015	AIR CONTROL SLIDER	1
49	5060-025	SECONDARY AIR PLATE	1
50	5060-030	PRI AIR DEFLECTOR	1
51	5060-035	BAFFLE SUPPORT	1
52	5060-045	PUSH-PULL ROD	1
53	5060-055	ROD RETAINER	1
54	5060-060	FLAME DEFLECTOR	1
55	5060-065	AIR RAIL LEFT	1
56	5060-085	AIR RAIL, RIGHT	1
57	5060-090	HINGE PIN	2
58	5060-100	HINGE BLOCK	4
59	5100-010	LABEL CLIP	1

60	5240-138*	SPRING: LATCH, WOOD STOVES 350#	1
61	5491-090	BUSHING	1
62	5570-030	CABLE: LABEL, 3/64"Dx12", 2 EYES	1
63	7200-523	CAT TEMP PROBE 3.5"	1

\* = Available in kits only.

### REPLACEMENT KITS AND ACCESSORIES

90-58600	GASKET KIT
90-58605	GLASS KIT
90-71240	HANDLE KIT
90-49600	FRONT DOOR LATCH KIT
90-76600	BAFFLE KIT
90-68601	REAR HEATSHIELD
90-68605	SIDE HEATSHIELD
96-53400	OUTSIDE AIR KIT
3050-020 or 3050-010	CATALYST REPLACEMENT (TWO ALTERNATIVE CATALYSTS ARE APPROVED FOR USE IN THIS STOVE)

Note: See manual for accessory kits.