



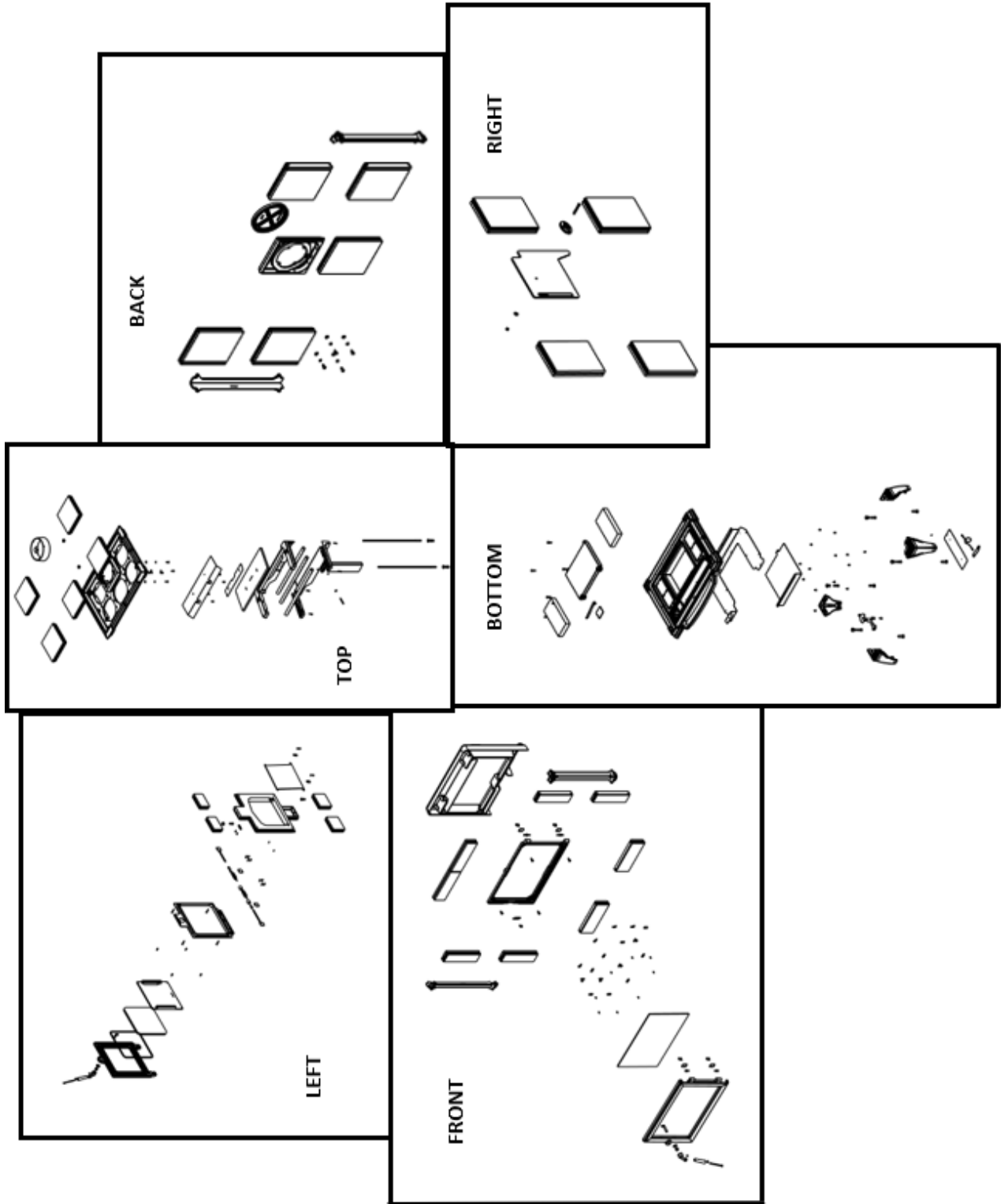
HERITAGE III



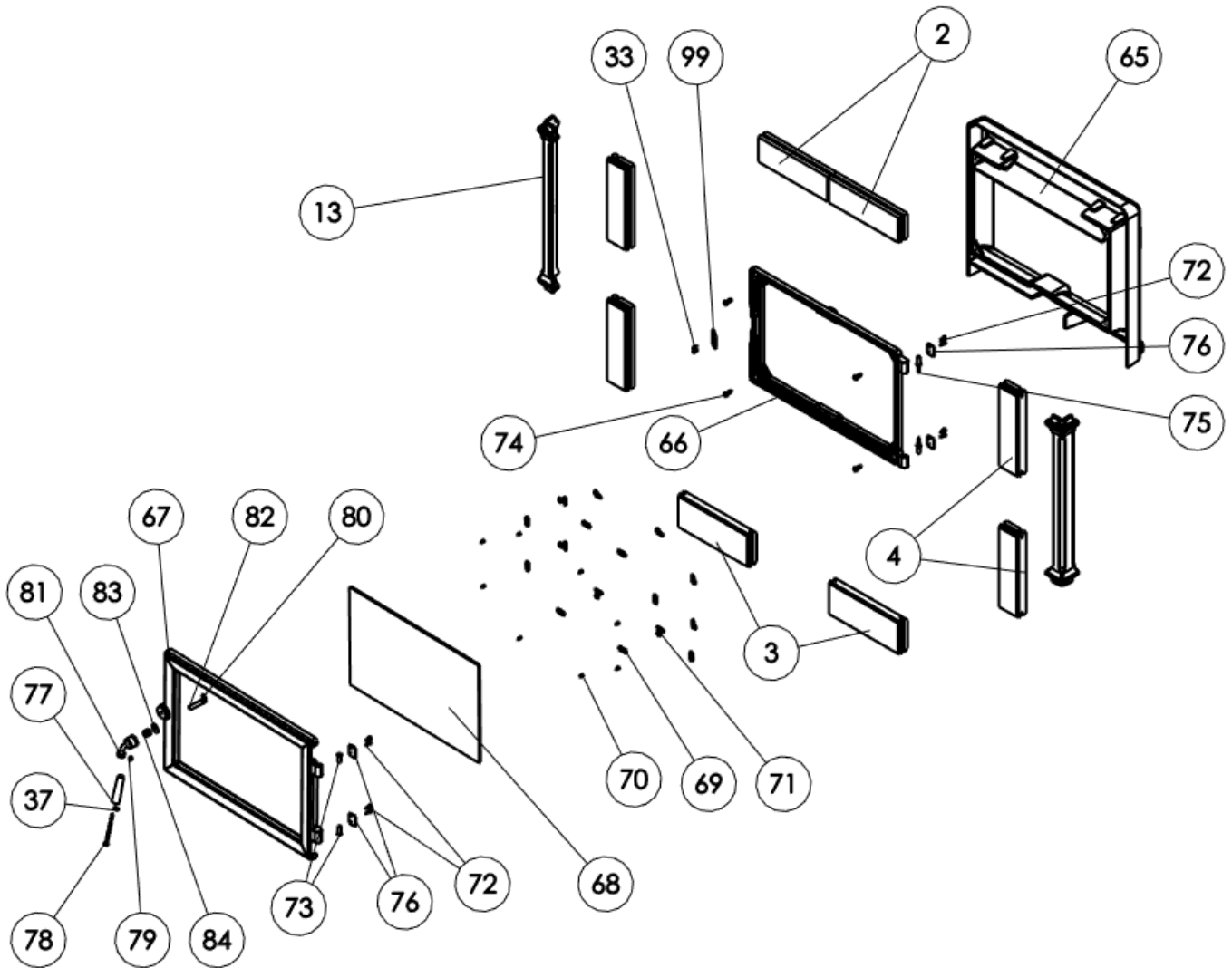
Model 8023

Illustrated Parts List

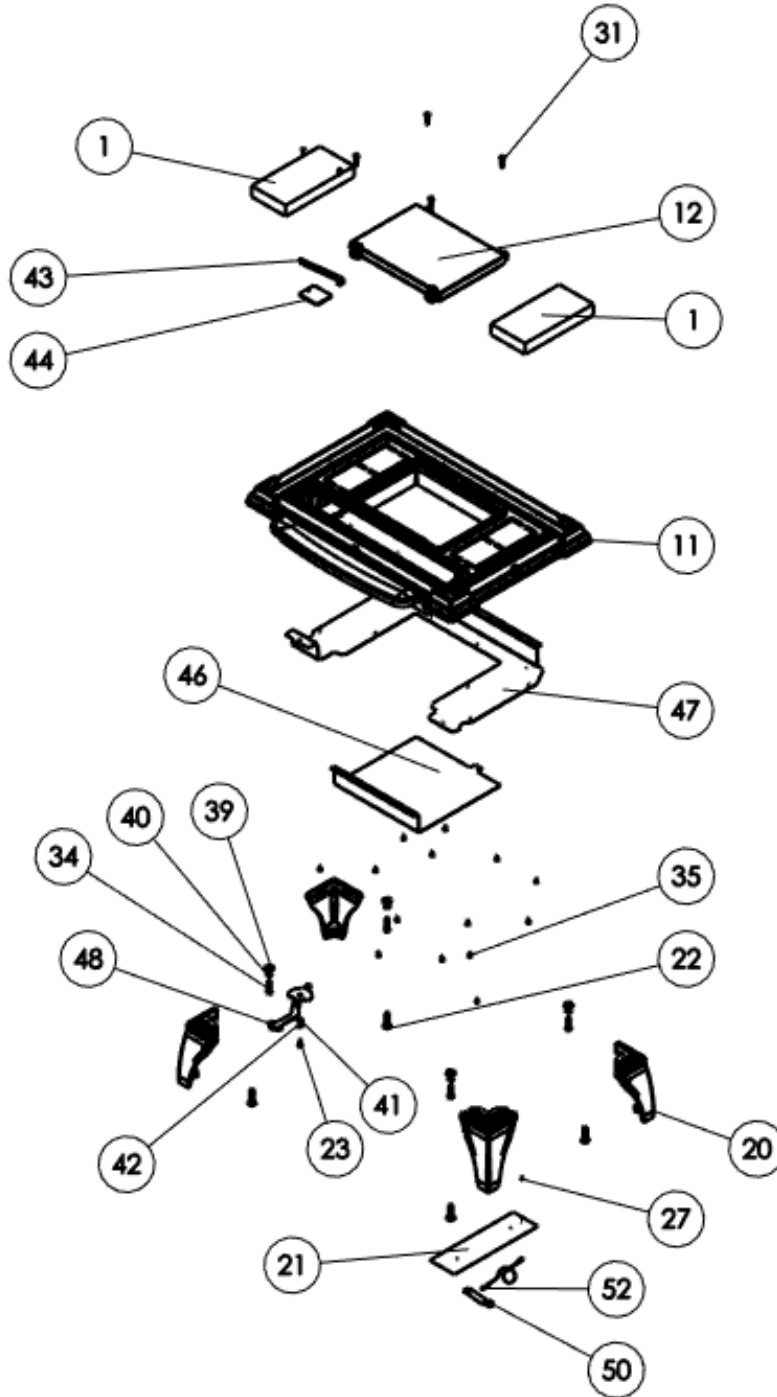
Full Assembly



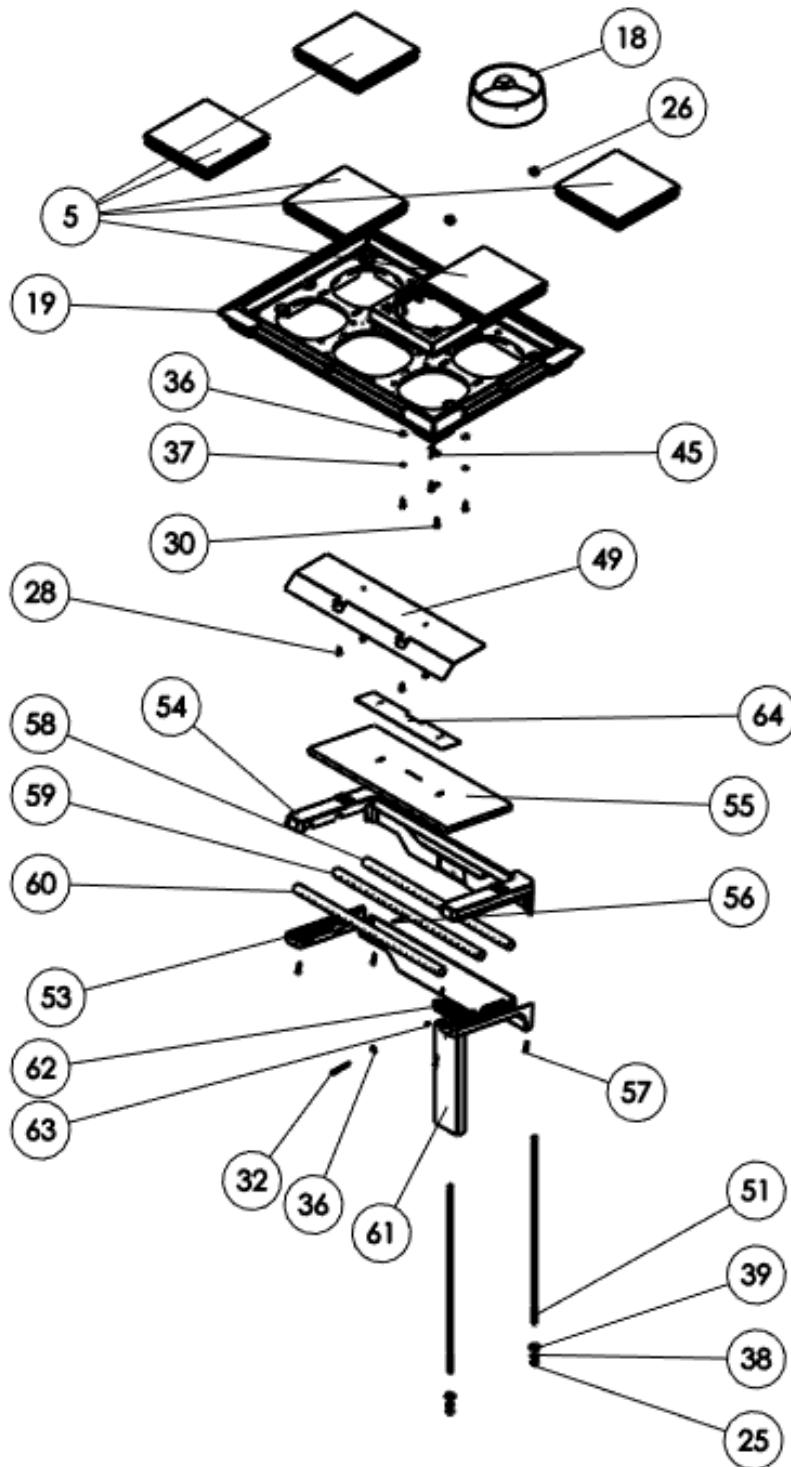
FRONT



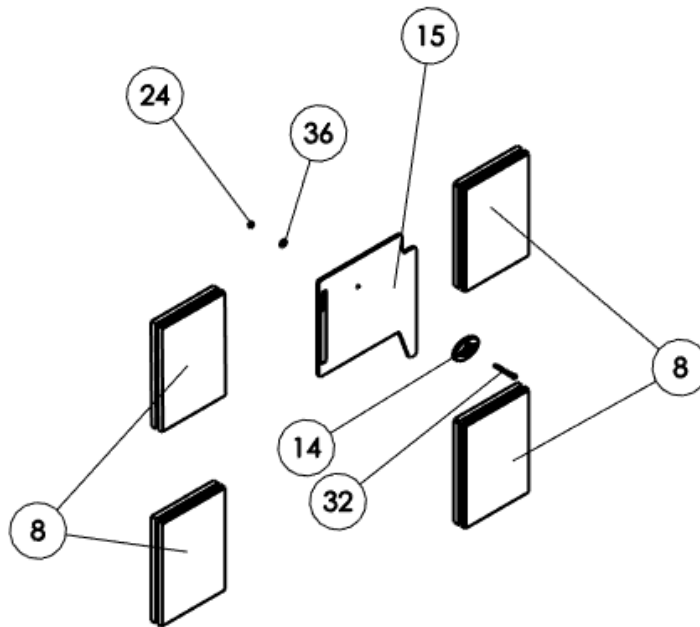
BOTTOM



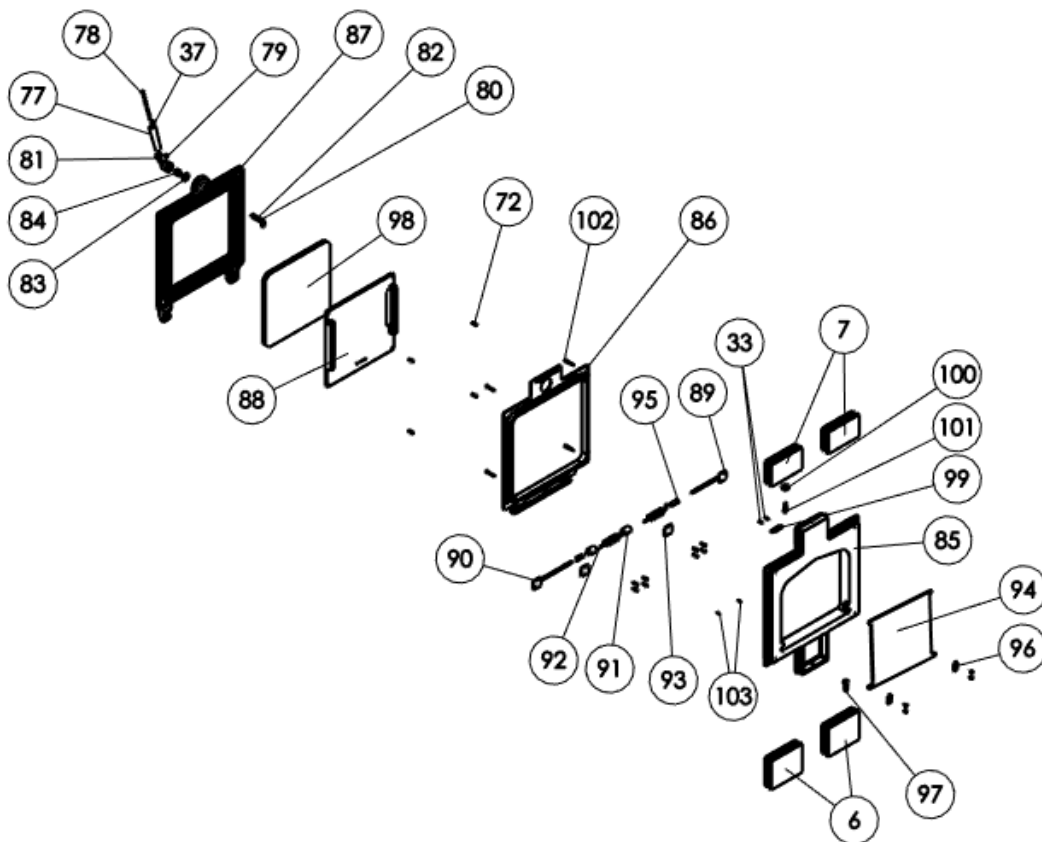
TOP



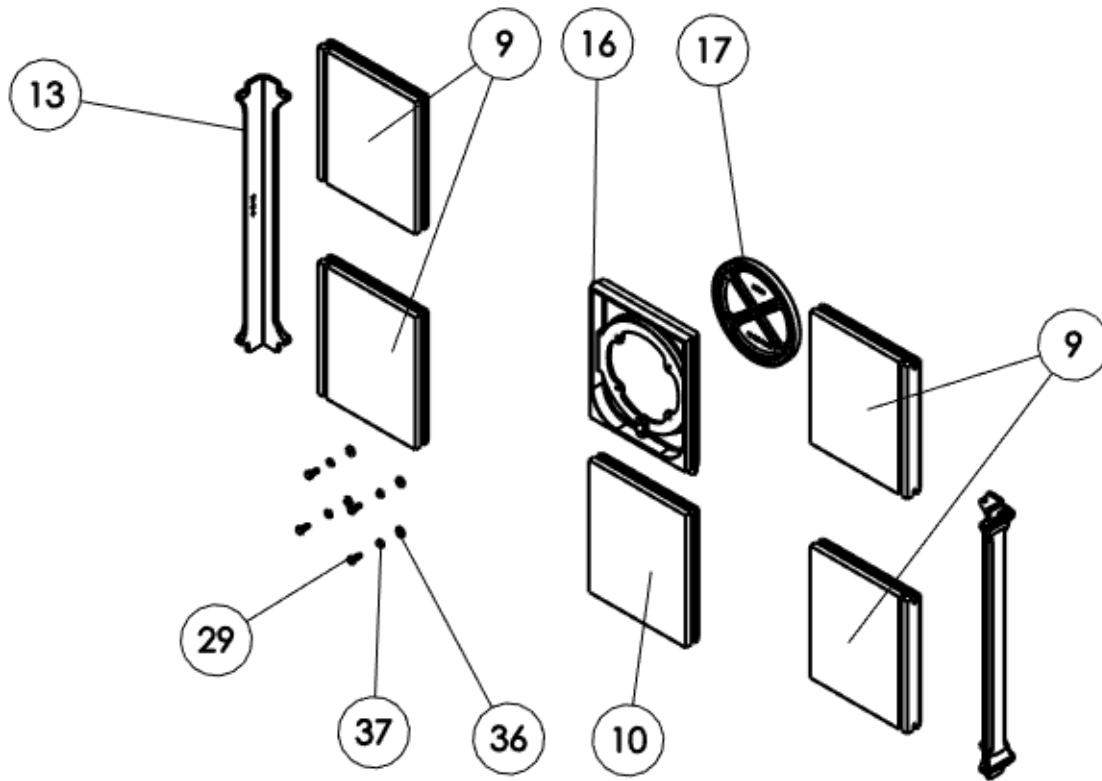
RIGHT SIDE



LEFT SIDE



BACK



Bill of Materials

ITEM NO.	PART NUMBER	DESCRIPTION	QTY.
1	1-0000-101	STONE: REF,4-1/2"x9"x1-1/4",MAN 1/HE	2
2	1141-251	STONE, POLISHED	2
3	1141-252	STONE, POLISHED	2
4	1141-253	STONE, POLISHED	4
5	1141-272	STONE, POLISHED	5
6	1141-276	STONE, POLISHED	2
7	1141-278	STONE, POLISHED	2
8	1141-280	STONE, POLISHED	4
9	1201-25	STONE, POLISHED	4
10	1201-26	STONE, POLISHED	1
11	2010-214	BOTTOM CASTING	1
12	2010-221	ASH GRATE BLANK PLATE	1
13	2010-231	SIDE LEG	4
14	2010-271	SIDE TRIM, MATTE	1
15	2010-273	SIDE IMPACT PLATE	1
16	2010-281	REAR EXIT FRAME	1
17	2010-282	FLUE BLANK PLATE	1
18	2010-285	FLUE COLLAR	1
19	2010-291	TOP CASTING, HER8022	1
20	2010-310	FOOT	4
21	3300-683	LABEL: SAFETY / RATING, HER8023	1
22	4100-0127	BOLT: CARRIAGE,3/8-16x1-1/2	4
23	4100-0230	SCREW: SHOULDER,10- 24x1/4"Dx1/4"L,SOCKET	1
24	4200-0250	NUT: FINISHING,1/4-20,HEX,SS	1
25	4200-0400	NUT: 3/8-16,ZN,GR2,90473A031	2
26	4200-0410	NUT: TAMPER-RESISTANT,3/8-16,ZN	2
27	4400-0100	RIVET: BLIND,1/8x1/4" GRIP,SS	1
28	4500-0570	SCREW: CAP,1/4-20x1/2",HEX,SS	4
29	4500-0701	SCREW: CAP,1/4-20x5/8",HEX,SS	4
30	4500-0710	SCREW: CAP,1/4-20x3/4",HEX,SS	4
31	4500-0910	SCREW: CAP,1/4-20x1",HEX,SS	4
32	4500-1419	SCREW: CAP,1/4-20x2",LOW PRO,SOCK	2
33	4500-1910	SCREW: MACH,10-24x1/2",FLAT,PH,	4

34	4500-3220	SCREW: CAP,5/16-18x1-1/4",HEX,ZN,GR5	4
35	4500-3436	SCREW: T-CUT,10-24x3/8,"F",PAN,PH,BLK	18
36	4600-0310	WASHER: FLAT,1/4,SAE,ZN (5/8" OD)	8
37	4600-0400*	WASHER: LOCK, 1/4",SPLIT,ZN	14
38	4600-0700	WASHER: LOCK,3/8,SPLIT,BL OX	2
39	4600-0800	WASHER: FLAT,5/16,USS (7/8" OD),BLK ZN	6
40	4600-0850	WASHER: LOCK,5/16,SPLIT,MED,ZN	4
41	4600-1415	WASHER: BELLVILLE SPRING,1/4IDx5/8OD,9712K21	1
42	4700-0850	SPACER: DOOR,1/4" IDx1/2" ODx1/8" T,	1
43	5021-020	PRIMARY AIR SLIDER RETAINER	1
44	5021-025	AIR CONTROL SLIDER	1
45	5021-070	BRUSH STOPPER	1
46	5022-010	CENTER BOTTOM SHIELD	1
47	5022-012	OUTSIDE AIR PLENUM	1
48	5022-020	AIR CONTROL LEVER	1
49	5023-070	TOP HEAT SHIELD	1
50	5100-010	LABEL CLIP	1
51	5210-2330	ROD: THREAD,3/8-16x20.5",0.31"&2"	2
52	5570-030	CABLE: LABEL	1
53	2010-241	SECONDARY AIR PLENUM BOTTOM	1
54	2010-244	SECONDARY AIR PLENUM TOP	1
55	3120-022*	BOARD: CERAMIC,BAFFLE	1
56	4300-0110*	PIN: COTTER, 1/8X2",SS	2
57	4500-1010	SCREW: MACH,1/4-20x1",FLAT,PH,BL OX	4
58	5021-041	PIPE: AIR,SECONDARY	1
59	5022-022	SECONDARY AIR TUBE #2	1
60	5023-043	PIPE: AIR,SECONDARY,#3,HER 3	1
61	5023-045	SECONDARY RISER PIPE	1
62	5023-048	GASKET KEEPER	1
63	4500-3435	SCREW: T-CUT,8-32x3/8,"F",PAN,PH,BL	1
64	5022-014*	BAFFLE BRACKET	1
65	2010-251	PLENUM: PRIMARY AIR	1
66	2010-264	FRONT DOOR FRAME	1

67	2010-262	FRONT DOOR, MATTE	1
68	3030-038*	GLASS	1
69	3120-021*	GASKET: GLASS CLIP,BLACK, HER 1/TRI/BRI	8
70	4500-2105*	SCREW: MACH,10-24x3/8",UN- CUT,FLAT,PH,	8
71	5021-060*	GLASS CLIP	8
72	4500-1876	SCREW: MACH,10- 24x1/2",PAN,PH,BLK OX	20
73	5030-045	HINGE BUSHING	2
74	4500-1359	SCREW: MACH,1/4- 20x3/4",PAN,PH,BLK	4
75	5022-028	PIN: HINGE, HER2/3	2
76	5022-026	PLATE: HINGE, HER2	4
77	3900-177*	WOOD HANDLE	2
78	4500-1680*	Screw: Mach 1/4-20, 3-1/2, Round, Slot, Zn	2
79	4500-2976*	SCREW: SET,5/16-18x3/8",HALF DOG,SOCKET	2
80	4700-0790*	SPACER: DOOR LATCH,0.435"x0.375"x0.03"	4
81	5010-081*	LATCH CRANK	2
82	5021-026*	LATCH: DOOR,DOUBLE BEVEL	2
83	5021-032*	WASHER: FLAT,.406"IDx1"ODx.035"T,BLK	2
84	5240-138*	SPRING: LATCH, WOOD STOVES 350#	2
85	2010-234	SIDE DOOR FRAME	1
86	2010-236	SIDE DOOR FRAME COVER	1
87	2010-238	SIDE DOOR	1
88	2010-239	SIDE DOOR STONE PLATE	1
89	5000-324	SHAFT HINGE RIGHT	1
90	5000-325	SHAFT HINGE LEFT	1
91	5000-106	SPRING RETAINING SLEEVE	2
92	5240-142	SPRING: TORSION,SIDE DOOR (SPC 40363)	2
93	5000-320	HINGE DOOR PLATE	2
94	5022-018	SIDE DOOR STOP PLATE	1
95	5000-105	SHOULDER BUSHING	2
96	5350-032	CLIP: HINGE,SIDE DOOR	2

97	4500-2810	SCREW: CAP,3/8-16X1",HEX,ZN,GR8,92620A624	1
98	1141-270	STONE, POLISHED	1
99	5030-060	STRIKER	2
100	4200-0415	NUT: TAMPER-RESIST,5/16-18,ZN	1
101	4500-1035	SCREW:SHCS,5/16-18X7/8",Bl Ox	1
102	4500-1300	SCREW: MACH,1/4-20x1-1/4",FLAT,PH,BLK OX	4
103	4300-0195	PIN: SPIROL,1/8x3/4"	2

* = Available in kits only.

REPLACEMENT KITS AND ACCESSORIES

90-57210	BLOWER KIT
90-53220	OUTSIDE AIR KIT
90-68210	REAR HEAT SHIELD KIT
90-73229	FRONT DOOR REVERSAL KIT
90-58215	GLASS KIT
90-71100	DOOR HANDLE KIT
90-73220	DOOR LATCH KIT
90-70210	SIDE DOOR LOCK KIT
90-76220	BAFFLE KIT
90-57220	ASH PAN KIT
90-58210	GASKET KIT

Note: See manual for accessory kits.