

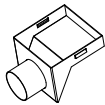
Technical Data Sheet

Shelburne 8370 Outside Air Kit Installation *Assembly 93-53700*

Publish Date: 8/31/2005

KIT CONTENTS:

(1) Outside Air Box-Front (5937-030)



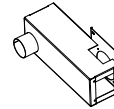
(1) Flex Pipe -2" x 10 1/2" (5700-900)



(1) Outside Air Intake (5960-027)



(1) Outside Air Box-Rear (5937-025)



(2) Cover Plates (5950-026)



(12) #8-32 screw (4500-3435)

(2) 10-24 screw (4500-3436)

MATERIALS REQUIRED:

- (1) 3" Flex Pipe
- (2) Hose Clamps
- (1) Termination Hood w/ Screen

TOOLS REQUIRED:

- (1) #2 Phillips Screwdriver
- (1) Pair of Work Gloves

BEFORE YOU BEGIN: Work on a cool stove. You will need to access the bottom rear and the bottom left front of the unit. Identify the assembly pieces listed above. **Note:** The 3" flex pipe, hose clamps, and termination hood are not provided with this kit, but are necessary to connect the outside air box to the outside air source. **Important:** Before you install the outside air kit, determine where the duct for the rear outside air box will originate. The duct can be attached either to the back, the left or the right sides of the rear outside air box by changing the position of the intake and blank cover plates. (Refer to figure 3)

IF YOU INTEND TO USE THE OPTIONAL BLOWER, you will not be able to use the rear inlet position on the rear outside air box. When installing the outside air kit in combination with the optional blower, the outside air must enter the rear outside air box from the left or right sides.

PROCEDURE:

1. Locate the Phillips head screw at the rear of the ash pan box. Remove the screw. Slide the bottom heat shield toward the rear of the unit and remove. (Refer to figure 1)

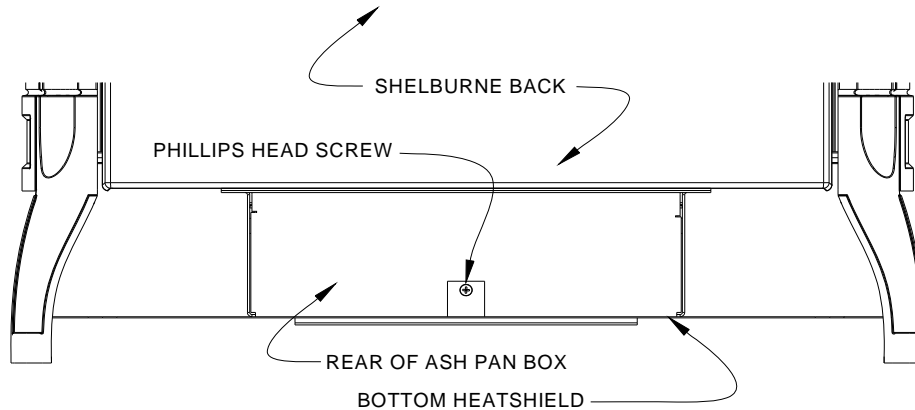


Figure 1

2. Pull the ash door (lip) toward the front of the unit and drop down. Locate the primary air control slider on the left side of the ash pan. Attach the 2" flex tube to the front outside air box (Gloves are recommended when handling the tubing). Slide the box and the tube under the left front corner of the unit with the open portion of the box facing up and the 2" flex tube extending back under the stove. Place the box between the two slotted side tabs and just behind the solid front tab. Push the box up firmly so that the small protruding wings on the side of the box snap into the slotted side tabs to hold the box in place. **Hint:** Squeeze the sides of the front outside air box if needed to allow the wings to snap into the slotted tabs. If the wings do not snap into place, remove the box and use a flat screwdriver to pry them out slightly. (Refer to figure 2)

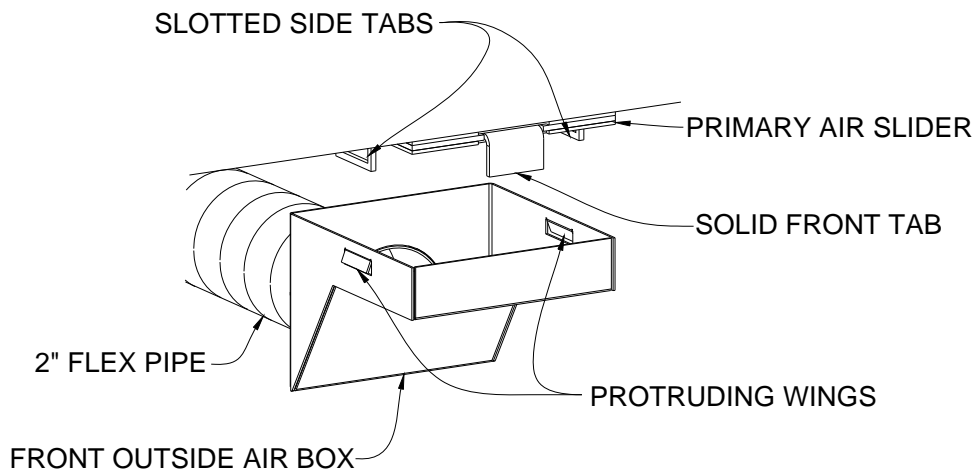


Figure 2

3. Attach bottom heat shield by reversing the steps in step 1.
4. Attach the blank covers and outside air intake to the rear outside air box in the desired locations. (Refer to figure 3)
5. Slide the rear outside air box under the rear of the stove so that the 2" nozzle will meet the 2" flex pipe installed on the front outside air box and connect these two pieces. Now align the tab on the rear outside air box with the two screw holes in the rear lower center of the unit. Remove the factory-installed screws and place the tab flush to the back of the stove. Secure the box with the two 10-24 screws. Tighten screws so the box is held securely and be sure the 2" flex pipe is snugly connected to the front and rear outside air boxes. (Refer to figure 3)

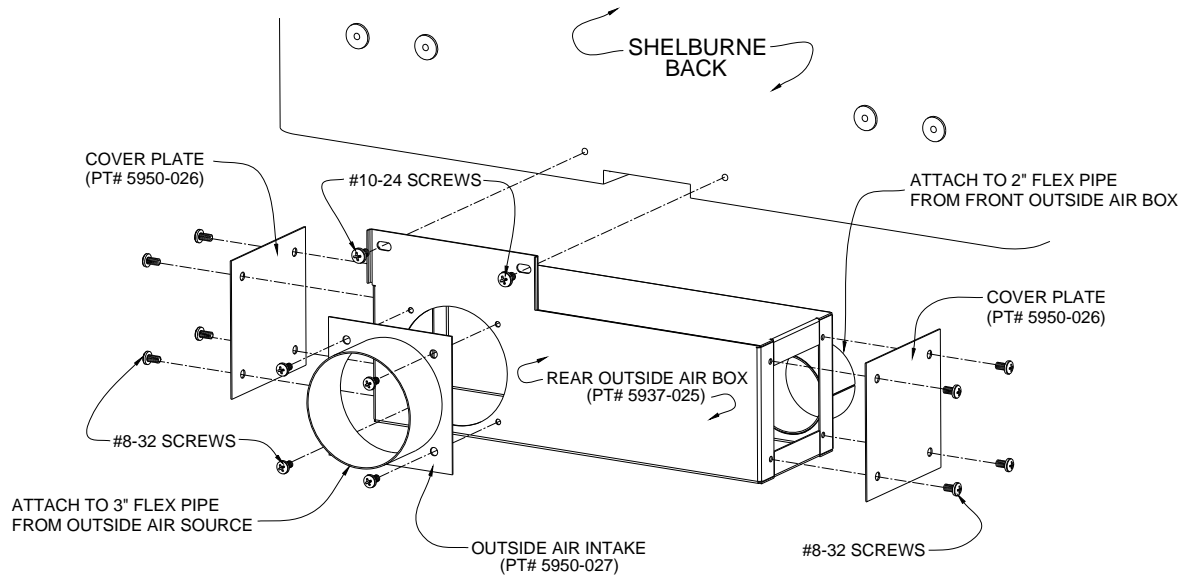


Figure 3

6. Connect the outside air box to the 3" flex pipe and outside air supply. The outside air box installation is now complete.

Note: When considering placement of the duct from the outside of the house to the hearth, keep in mind the need to avoid structural members of the wall. The termination of the duct on the outside wall should be located in such a manner as to preclude the possibility of obstruction by snow, leaves, or other materials. The outside termination should be screened with a 1/4" x 1/4" mesh rodent screen and be covered by a rain/wind proof hood.