



# Heritage

(Model 8091)  
Pellet Stove

Illustrated  
Parts List

Production Dates: March 21, 2012 -

Serial Number: 002000 –

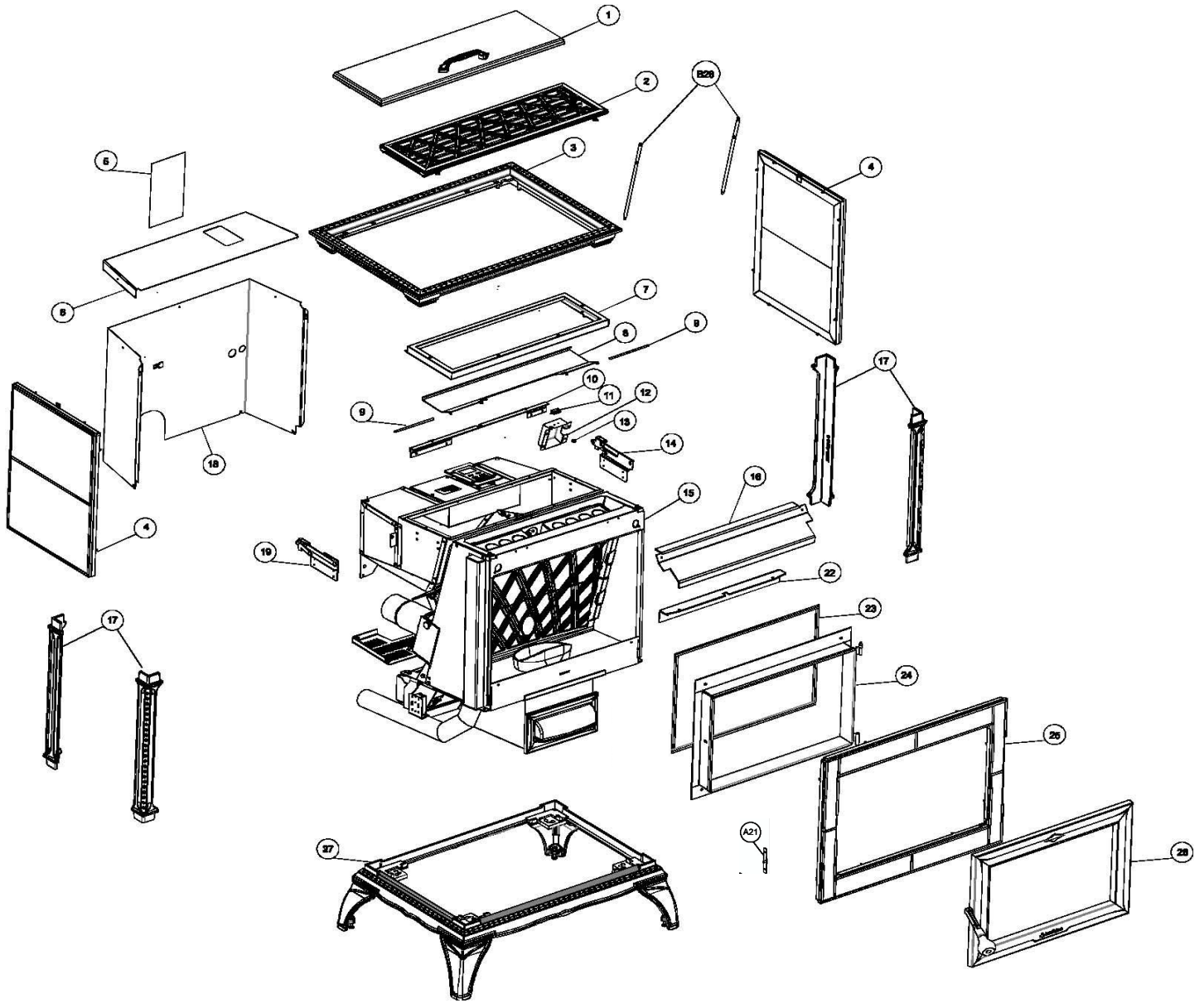
**Please refer to the owner's manual before and after servicing this pellet fuel burning room heater. To reduce the risk of fire, follow all instructions. Failure to follow these instructions could result in property damage, bodily injury, or even death.**



We recommend that our products be installed and serviced by professionals who are certified in the U.S. by NFI (National Fireplace Institute).

[www.nficertified.org](http://www.nficertified.org)





**Heritage 8091 - Exploded View**

**ILLUSTRATED PARTS LIST**

Key	Part Number	Description
1	<b>Assm. H</b>	<b>HOPPER DOOR ASSM.</b>
2	<b>Assm. G</b>	<b>GRILL ASSM.</b>
3	2010-990	TOP
4	<b>Assm. I</b>	<b>SIDE STONE ASSM.</b>
5	3300-634	SAFETY/RATING LABEL
6	5909-087	REAR PANEL (SHROUD)
7	5090-074	HOPPER EXTENSION
8	5090-078	SECONDARY HOPPER DOOR
9	5090-071	HINGE PIN: SECONDARY HOPPER DOOR
10	5090-077	REAR TOP SUPPORT
11	7300-020	SENSOR: HOPPER SAFETY
12	5909-220	HOPPER CABLE CHANNEL
13	7000-170	PANEL GROMMET
14	5090-073	RIGHT HINGE: HOPPER DOOR
15	<b>Assm. B</b>	<b>ENGINE ASSM. 3909-100</b>
16	5909-080	AIR WASH
17	2010-930	SIDE LEG
18	5909-086	BOTTOM REAR PANEL
19	5090-072	LEFT HINGE: HOPPER DOOR
A21	5090-062	DOOR LATCH CATCH
22	5090-076	FRONT TOP SUPPORT
23	3160-080	GASKET TAPE, 3/4"x1/16"
24	5090-065	FRONT DOOR FRAME
25	<b>Assm. J</b>	<b>FRONT STONE ASSM.</b>
26	<b>Assm. M</b>	<b>FRONT DOOR ASSM.</b>
27	<b>Assm. F</b>	<b>BOTTOM CAST ASSM.</b>
28	5210-3080	ROD: HEAT EXCHANGER CLEANING

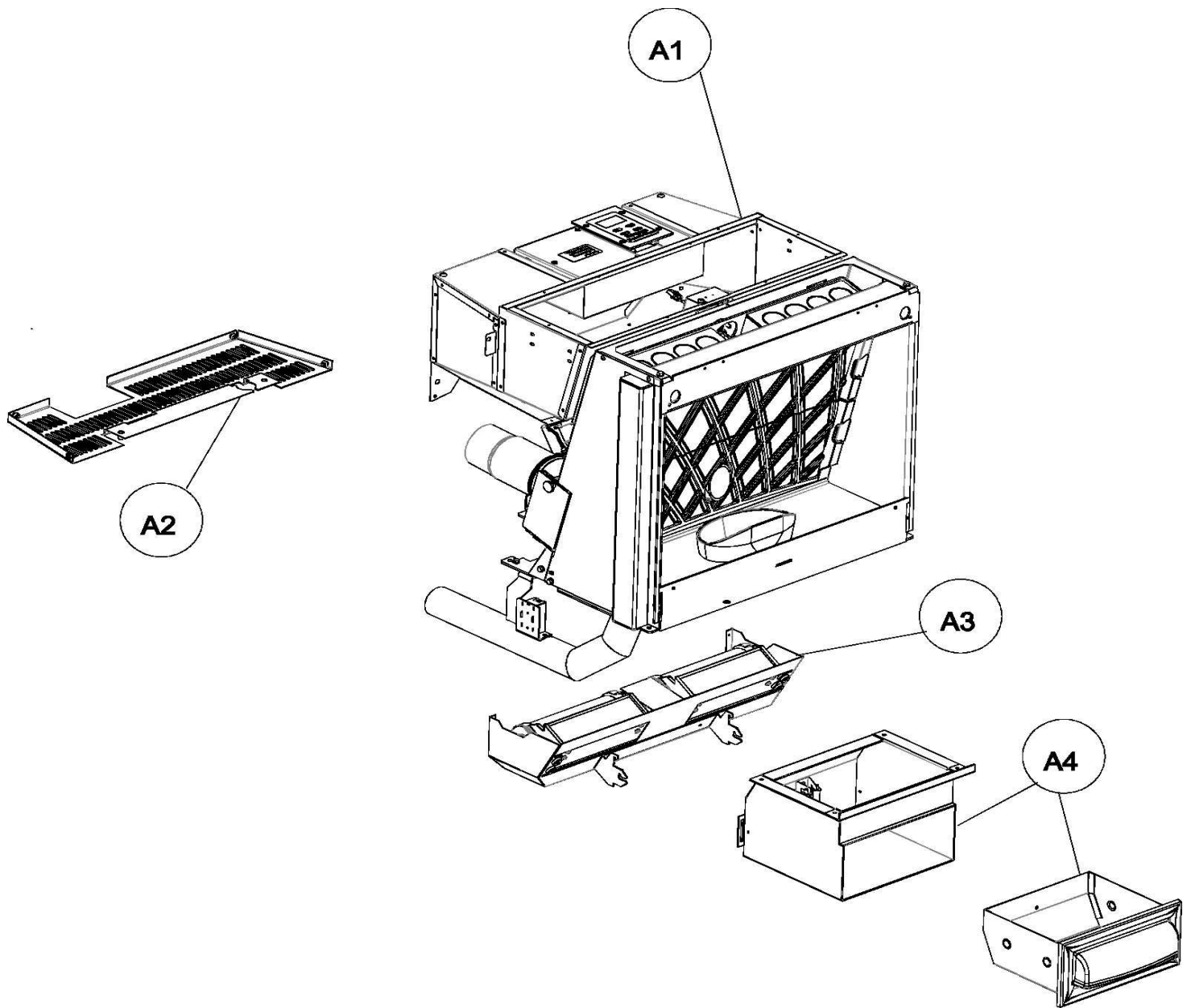


Figure 1 - Engine Assembly 3909-100: Major Components

<b>Assembly A</b>			
<b>Key</b>	<b>Part Number</b>	<b>Description</b>	
	<b>3909-100</b>	<b>ENGINE ASSEMBLY, INCLD. ALL OF THE PARTS BELOW</b>	
<b>A1</b>	<b>Assm. B</b>	<b>ENGINE SUB ASSEMBLY</b>	
<b>A2</b>	<b>5909-090</b>	<b>REAR PANEL: BOTTOM</b>	
<b>A3</b>	<b>Assm. N</b>	<b>ROOM BLOWER ASSEMBLY</b>	
<b>A4</b>	<b>Assm. K</b>	<b>ASH BOX ASSEMBLY</b>	

**Assembly B**

Key	Part Number	Description
<b>B1</b>	<b>7300-010</b>	<b>CONTROL BOARD ASSM.</b> <i>WITH BRACKET 5909-350</i>
B2	7300-000	MOTHERBOARD
B3	7300-025	TEMPERATURE SAFETY LIMIT SWITCH
B4	NA	FUSE HOLDER (PART OF HARNESS 7000-034)
B5	7211-967	EXHAUST FAN MOTOR
B6	4700-0660	HOSE CLAMP: 12MMWX70-90DIA
B7	5909-340	EXHAUST GAS PIPE
B8	5909-070	EXHAUST FAN HOUSING
<b>B9</b>	<b>Assm. C</b>	<b>AUGER ASSM.</b>
<b>B10</b>	<b>Assm. L</b>	<b>HOPPER ASSM.</b>
B11	5909-255	SENSOR WIRE CONDUIT
B12	5909-016	COMBUSTION CHAMBER
B13	5909-345	PRESSURE PLATE
B14	5909-325	HEAT EXCHANGER HEAT SHIELD
B15	7300-030	SENSOR: FLAME THERMOCOUPLE
B16a	5909-336	PLENUM: LEFT CONVECTION AIR
B16b	5909-337	PLENUM: RIGHT CONVECTION AIR
B17	3160-392	GASKET: 3/8"X 1/8"FLAT, KNIT BLK, 1/4"AD SP
B18	5909-020	SIDE COMBUSTION COVER
B19	4500-4695	KNURLED THUMB SCREW
B20	7300-005	AIR FLOW SENSOR
B21	5909-061	AIR INLET PIPE
B22	5909-095	IGNITER FERRULE
B23	2910-002	BURN POT
<b>B24</b>	<b>Assm. E</b>	<b>LOWER BAFFLE ASSM.</b>
<b>B25</b>	<b>Assm. D</b>	<b>UPPER BAFFLE ASSM.</b>
B26	5909-260	HOPPER BULB CLIP
B27	7300-015	IGNITER ELEMENT (with spade terminals installed 90-99022)
B28	3160-397	INLET TUBE GASKET
NA	7000-034	WIRING HARNESS - (Not Shown)

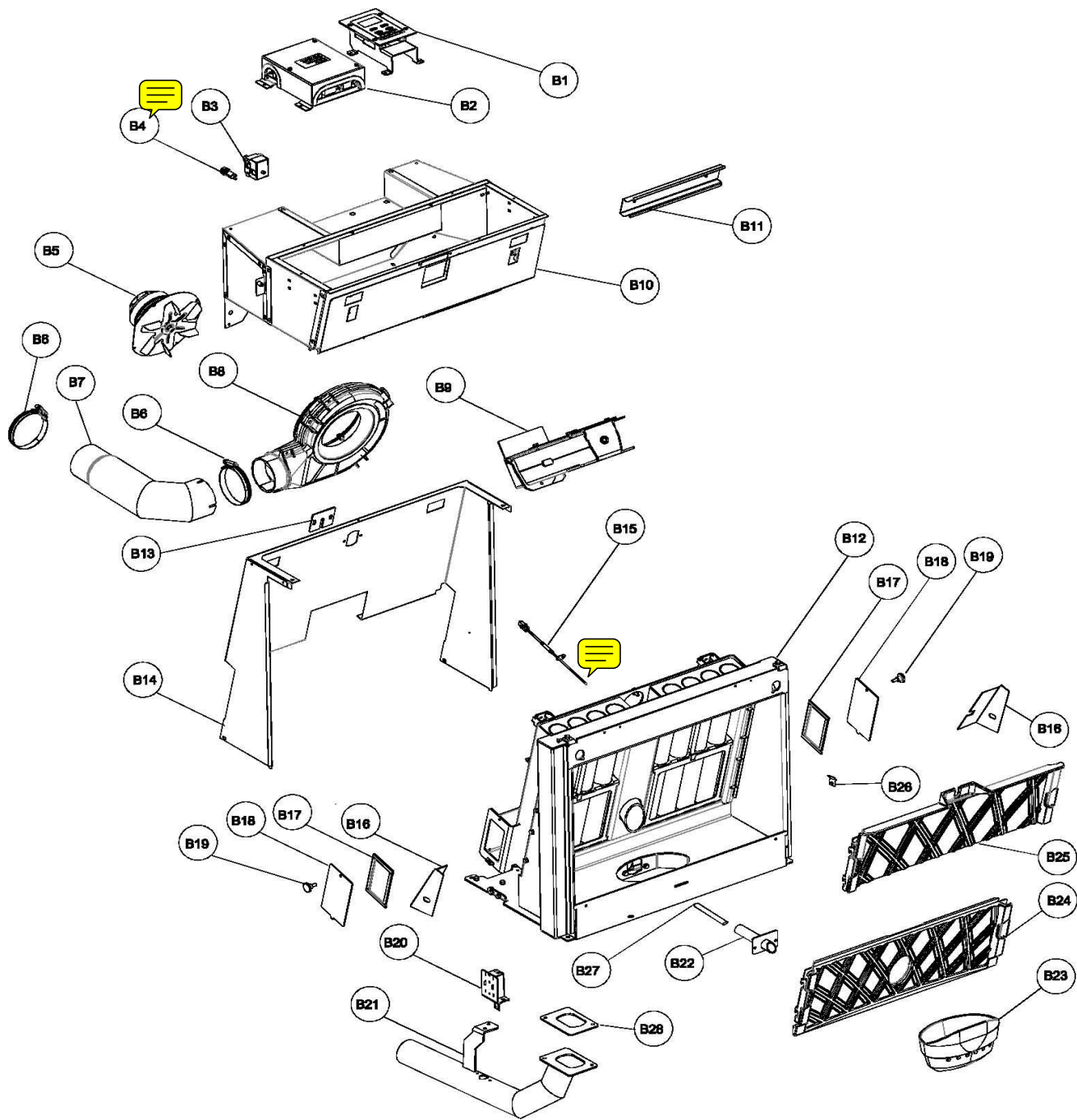


Figure 2 - Heritage 8091 Engine Assembly

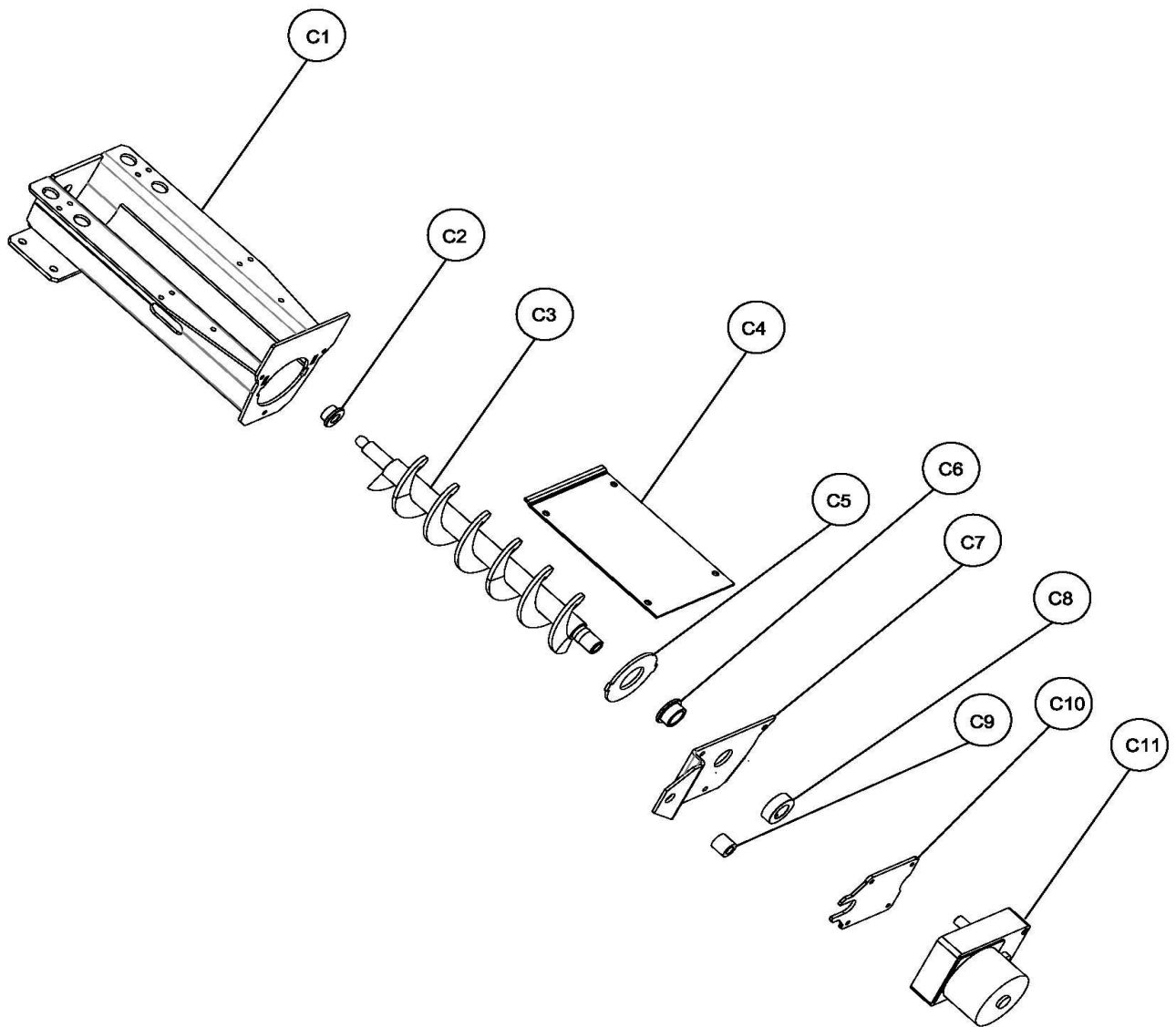


Figure 3 - Heritage 8091 Auger Assembly

Assembly C		
Key	Part Number	Description
C1	5909-305	AUGER HOUSING
C2	5000-095	SINTERED BEARING
C3	5909-310	AUGER SCREW / SHAFT
C4	5909-315	AUGER FEED UNIT LID
C5	4600-0175	AUGER ACCESS WASHER
C6	5000-096	SINTERED BEARING
C7	5909-320	AUGER MOTOR BRACKET
C8	4600-0180	AUGER SHAFT CLAMP RING
C9	7000-175	WTR/AIR HOSE
C10	5909-323	AUGER MOTOR SUPPORT
C11	7211-970	AUGER MOTOR

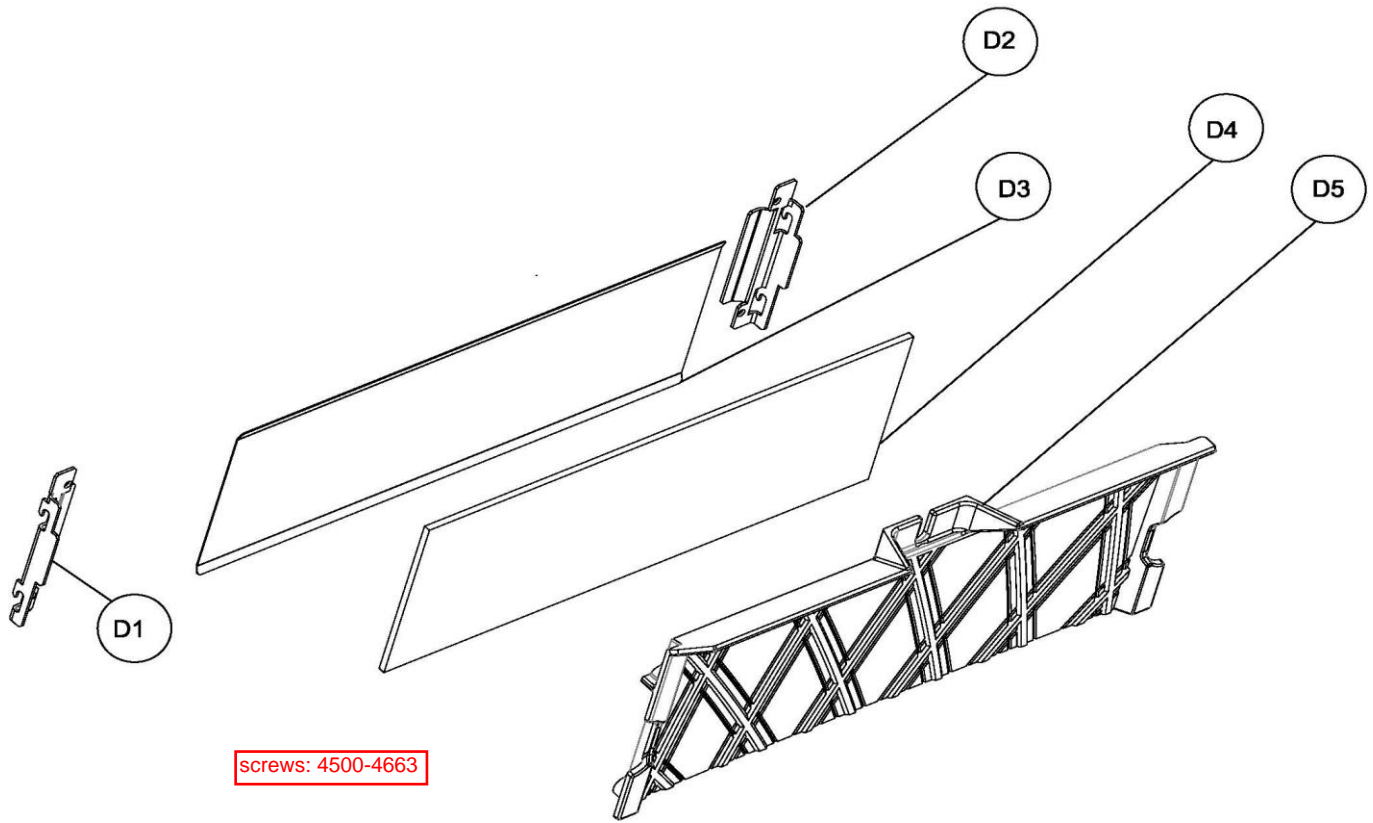


Figure 4 - Heritage 8091 Upper Baffle Assembly

Assembly D		
Key	Part Number	Description
D1	5909-000	LEFT BAFFLE MOUNT BRACKET
D2	5909-005	RIGHT BAFFLE MOUNT BRACKET
D3	5909-010	UPPER BAFFLE INSULATION GUARD
D4	3120-220	UPPER BAFFLE CERAMIC HEATSHIELD
D5	2910-005	UPPER BAFFLE



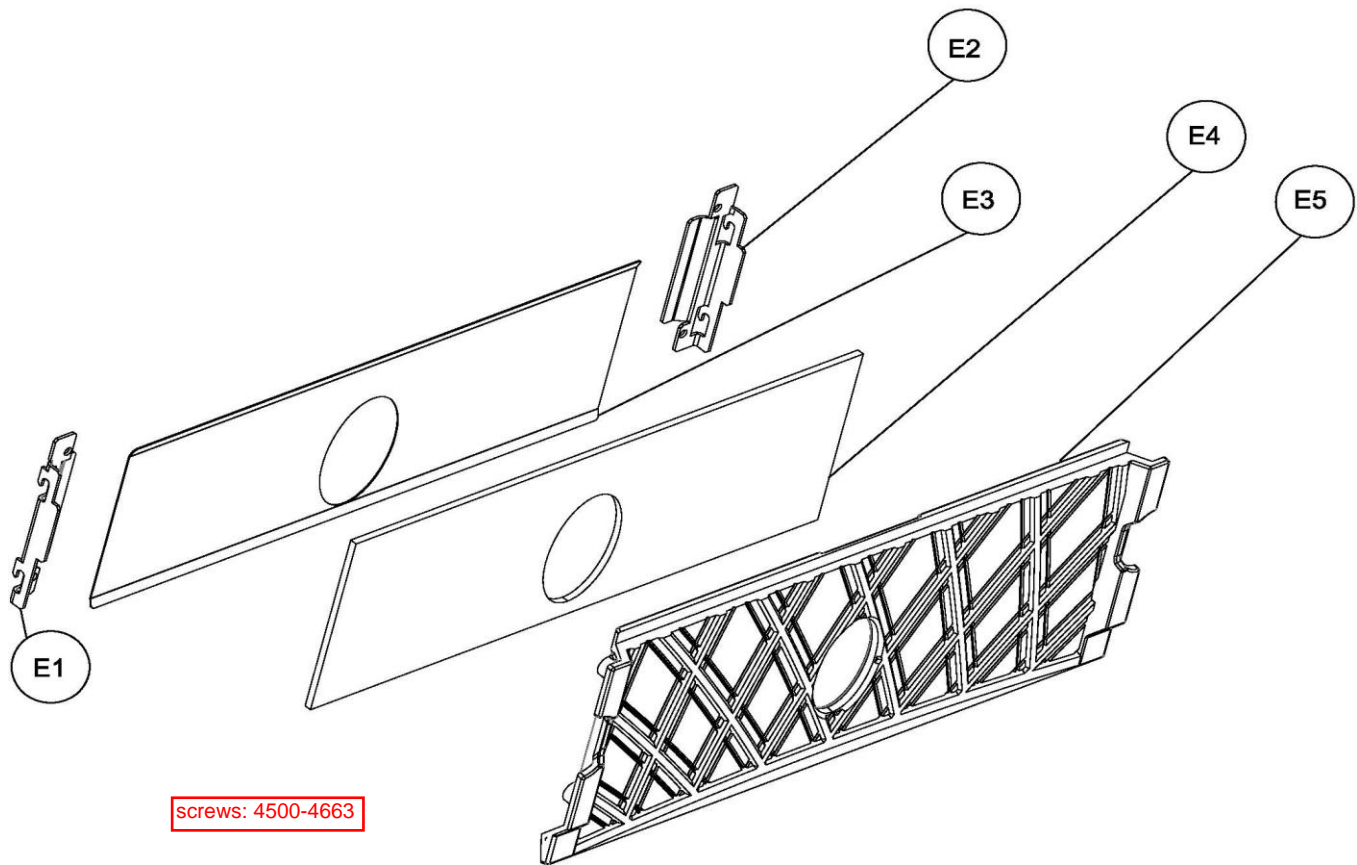


Figure 5 - Heritage 8091 Lower Baffle Assembly

Assembly E		
Key	Part Number	Description
E1	5909-000	LEFT BAFFLE MOUNT BRACKET
E2	5909-005	RIGHT BAFFLE MOUNT BRACKET
E3	5909-011	LOWER BAFFLE INSULATION GUARD
E4	3120-221	LOWER BAFFLE CERAMIC HEATSHIELD
E5	2910-010	LOWER BAFFLE

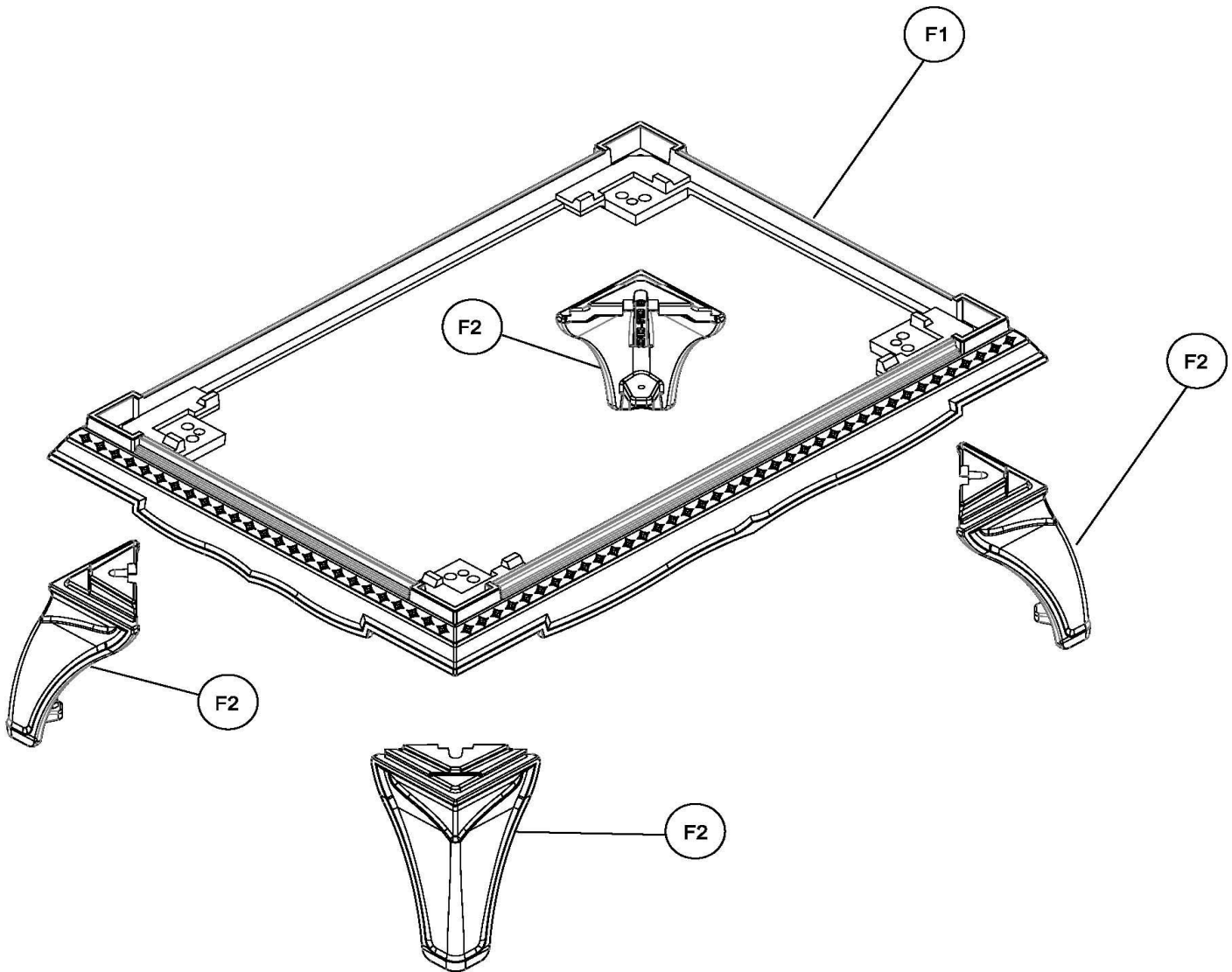


Figure 6 - Heritage 8091 Bottom Assembly

Assembly F		
Key	Part Number	Description
F1	2010-925	BOTTOM: MATTE
F2	2010-910	FOOT: MATTE

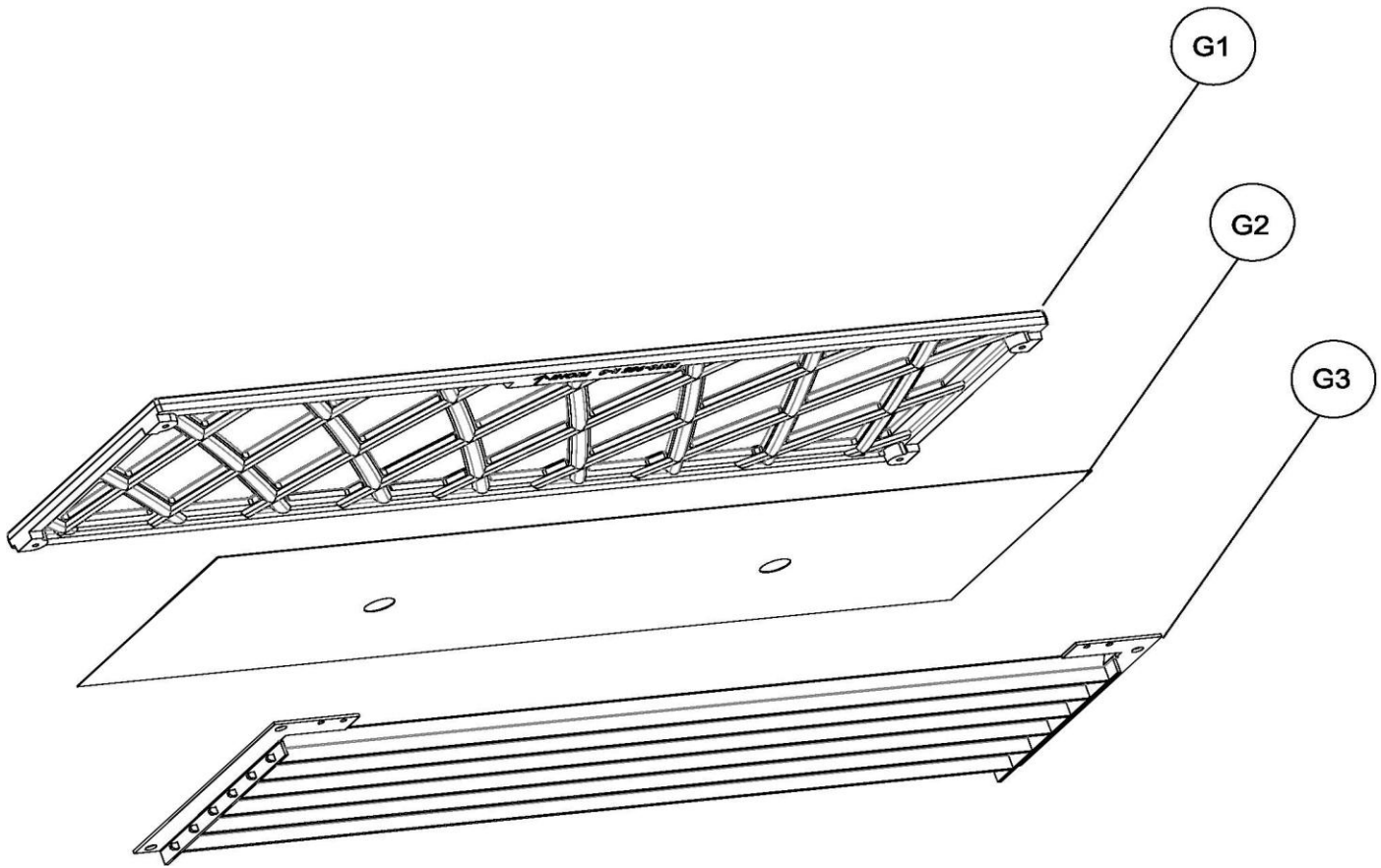


Figure 7 - Heritage 8091 Grill Assembly

Assembly G		
Key	Part Number	Description
G1	2010-995	TOP GRILL, MATTE
G2	5090-069	OUTLET GRILL SCREEN
G3	5090-070	AIR CIRCULATION LOUVER

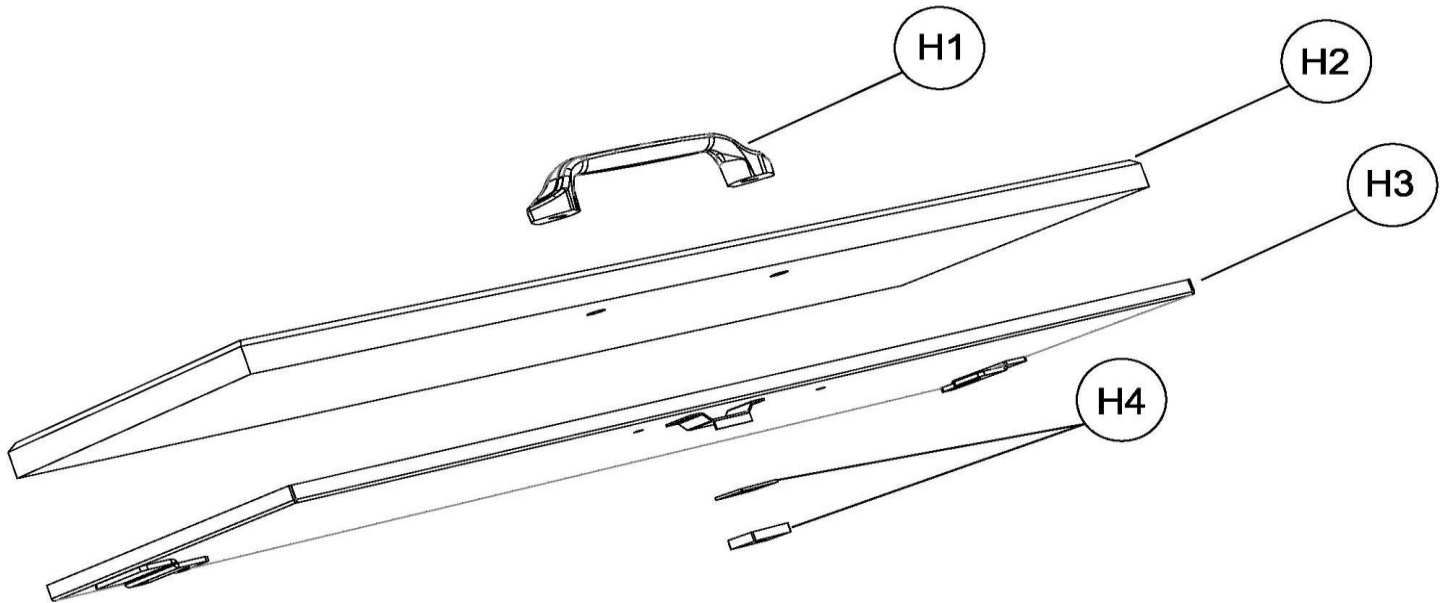
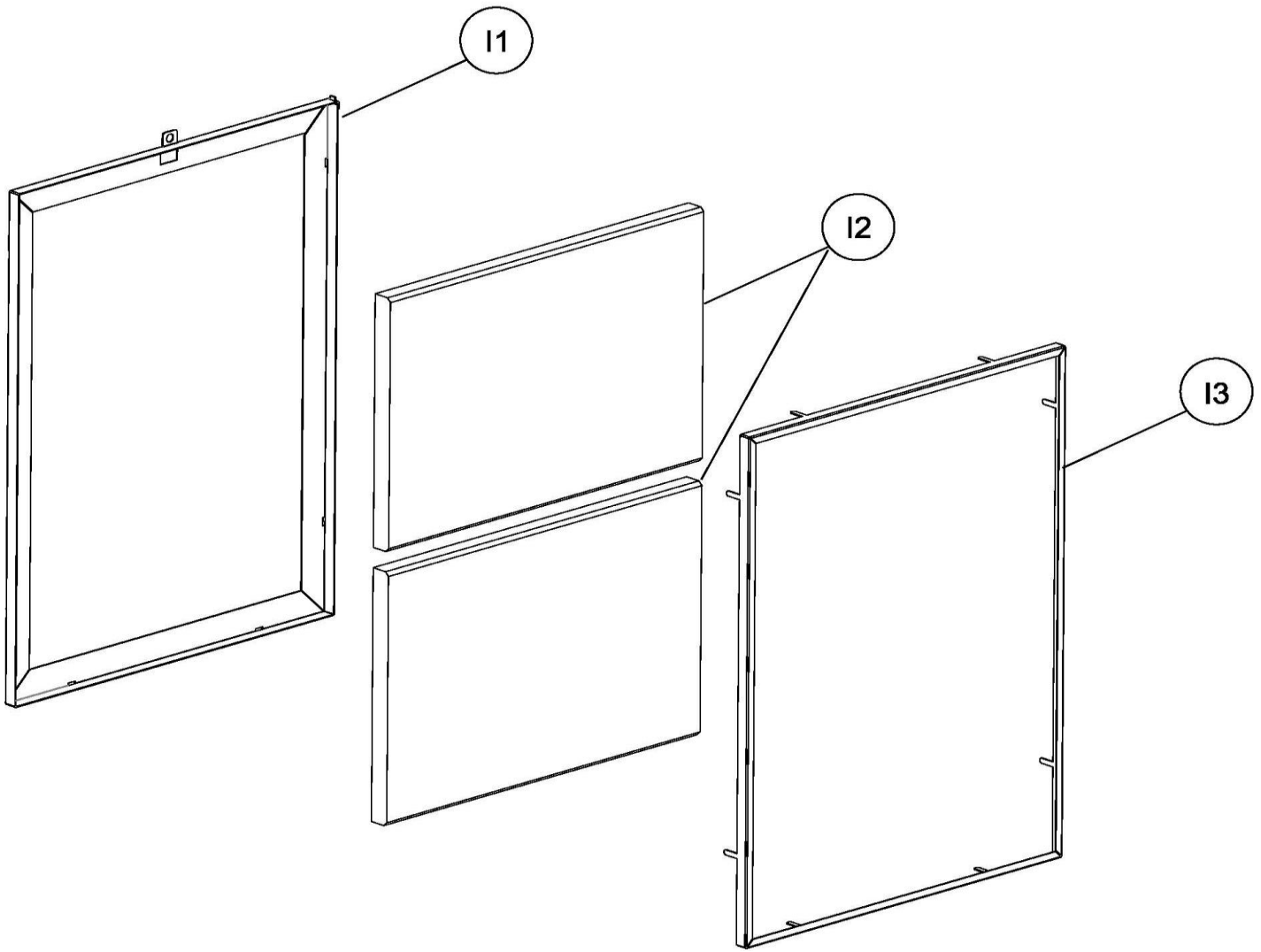


Figure 8 - Heritage 8091 Hopper Door Assembly

Assembly H		
Key	Part Number	Description
H1	2010-997	LOAD DOOR HANDLE
H2	1930-210	HOPPER DOOR STONE, SAHARA
H2	1941-210	HOPPER DOOR STONE, POL
H3	5090-075	HOPPER DOOR
H4	4700-0795	MAGNET



**Figure 9 - Heritage 8091 Side Stone Assembly**

<b>Assembly I</b>		
<b>Key</b>	<b>Part Number</b>	<b>Description</b>
I1	5090-022	OUTER SIDE STONE FRAME
I2	1930-225	SIDE STONE, SAHARA
I2	1941-225	SIDE STONE, POL
I3	5090-021	INNER SIDE STONE FRAME

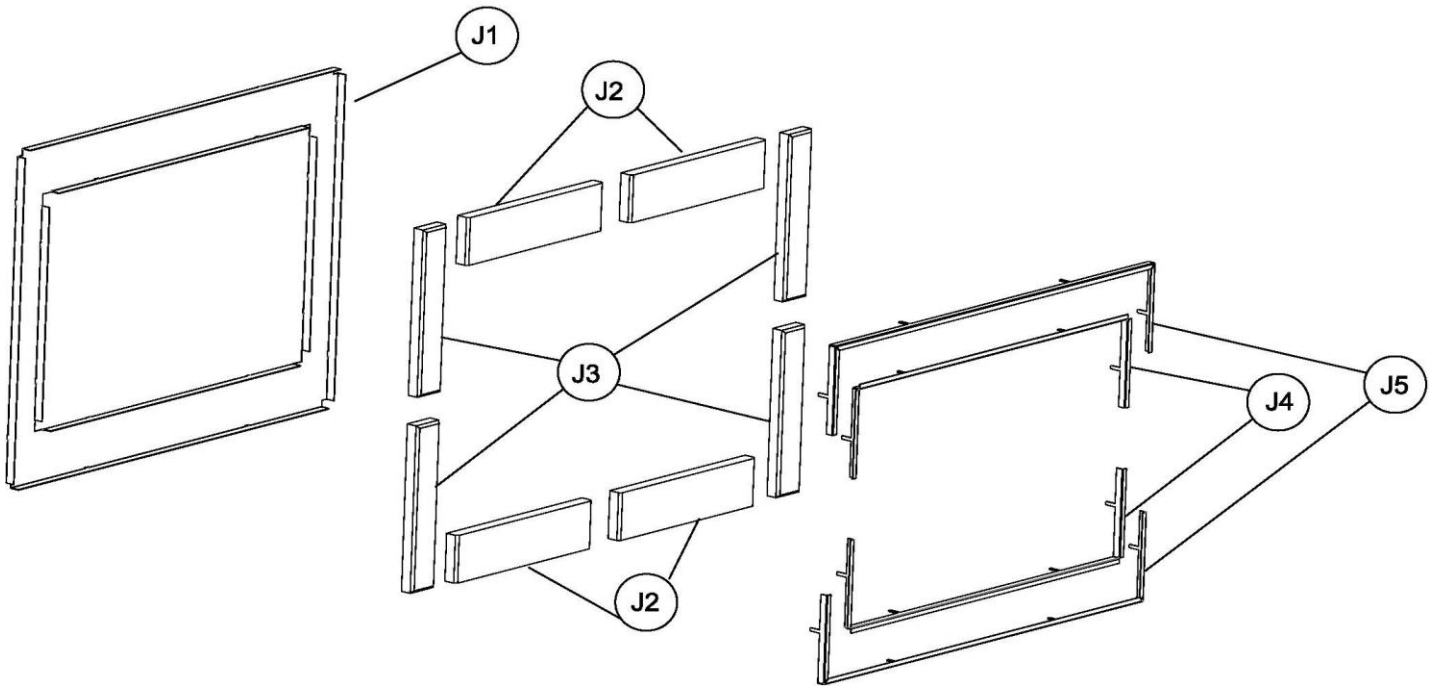


Figure 10 - Heritage 8091 Front Stone Assembly

<b>Assembly J</b>		
<b>Key</b>	<b>Part Number</b>	<b>Description</b>
J1	5090-019	FRONT STONE FRAME
J2	1930-220	FRONT HORIZONTAL STONE, SAHARA
J2	1941-220	FRONT HORIZONTAL STONE, POL
J3	1930-215	FRONT VERTICAL STONE, SAHARA
J3	1941-215	FRONT VERTICAL STONE, POL
J4	5090-018	FRONT INNER STONE RETAINER
J5	5090-017	FRONT OUTER STONE RETAINER

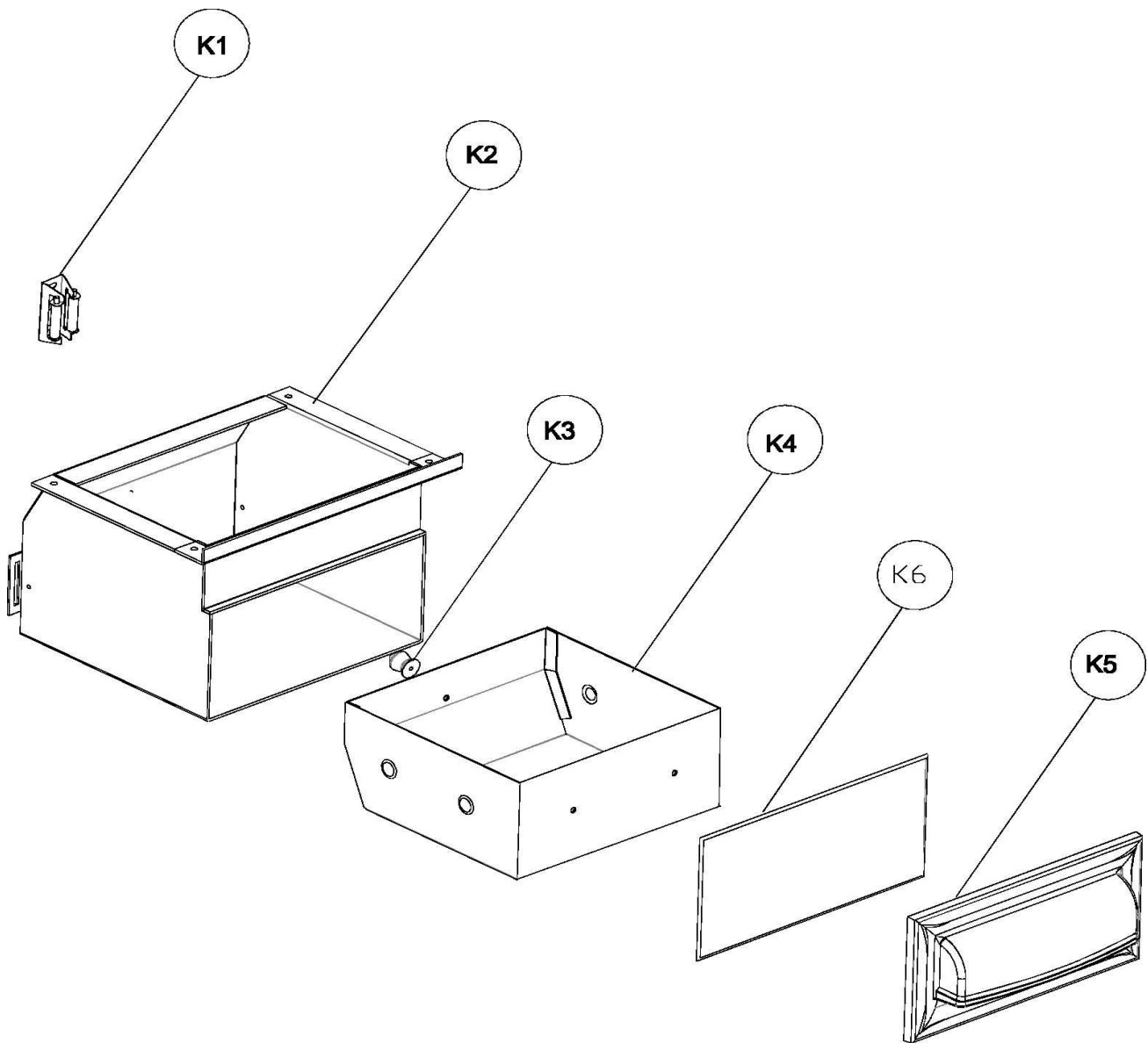


Figure 11 - Heritage 8091 Ash Drawer Assembly

Assembly K		
Key	Part Number	Description
K1	5240-145	ASH PAN CATCH SPRING
K2	5090-016	OUTER ASH BOX FRAME
K3	5240-146	ASH PAN CATCH KNOB
K4	5090-011	ASH PAN
K5	2010-915	ASH DOOR: MATTE
K6	3110-057	GASKET: ROPE, 3/8", AD, NON-CORE, 2.4'

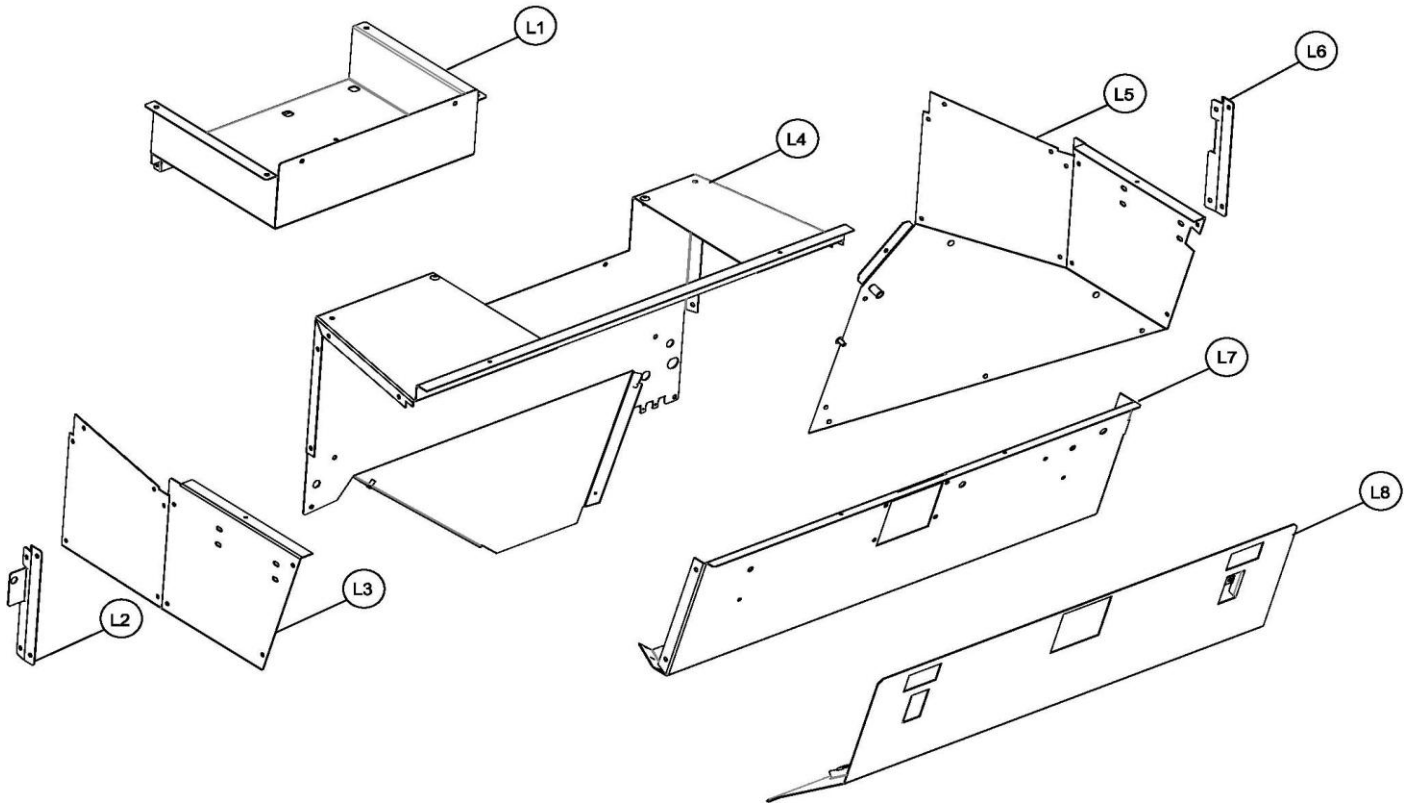


Figure 12 - Heritage 8091 Hopper Assembly

Assembly L			
Key	Part Number	Description	
L1	5909-225	HOPPER: DISPLAY BASE	
L2	5909-240	HOPPER: REAR PANEL BRACKET,FRNT/LT,PEL	
L3	5909-210	HOPPER: LEFT	
L4	5909-215	HOPPER: BACK	
L5	5909-235	HOPPER: RIGHT	
L6	5909-245	HOPPER: REAR PANEL BRACKET,FRNT/RT,PEL	
L7	5909-245	HOPPER: REAR PANEL BRACKET,FRNT/RT,PEL	
L8	5909-230	HOPPER HEAT SHIELD	



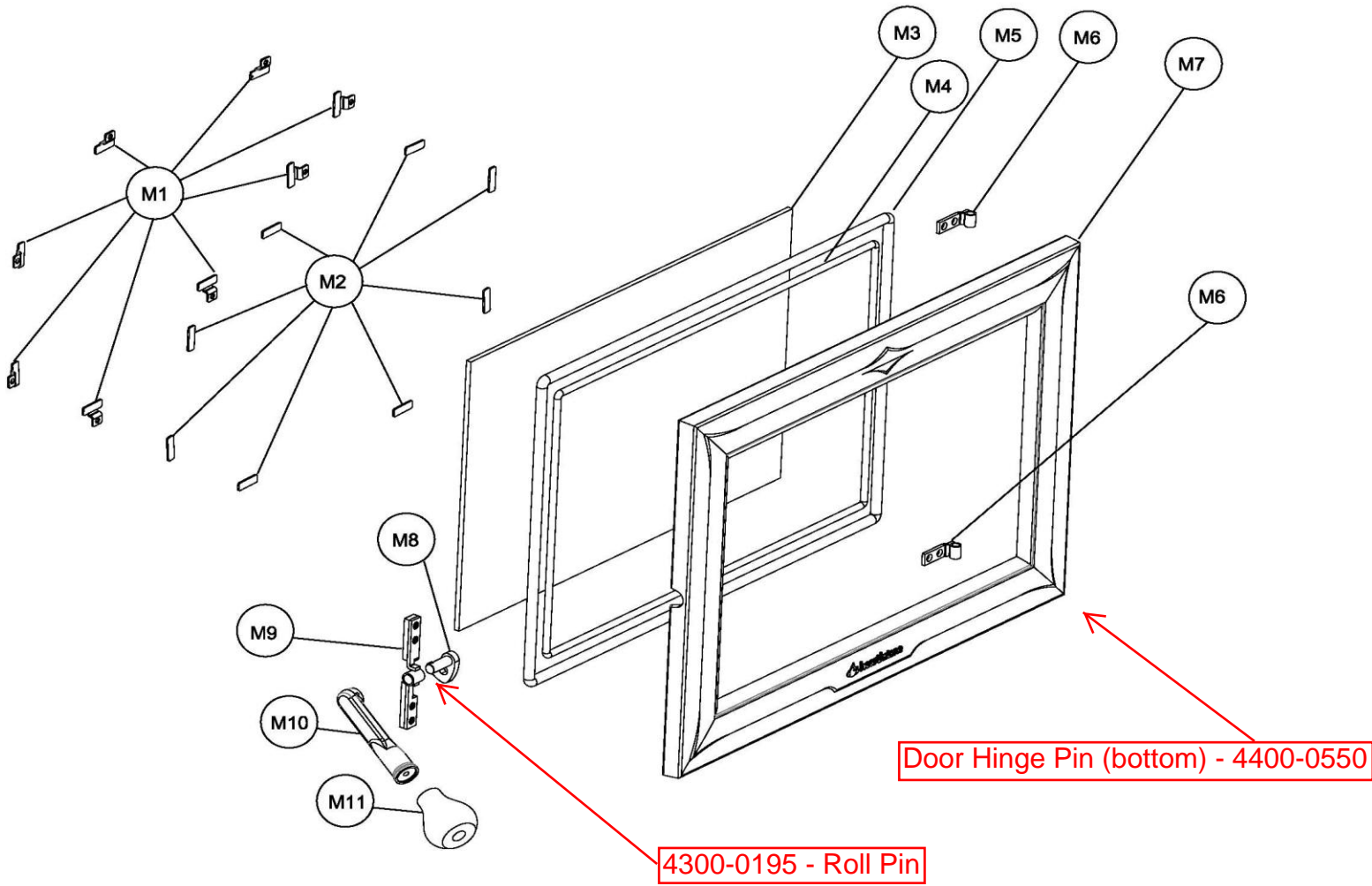


Figure 13 - Heritage 8091 Front Door Assembly

Assembly M		
Key	Part Number	Description
M1	5021-060	GLASS CLIP
M2	3120-021	GLASS CLIP GASKET: BLACK
M3	3030-026	GLASS
M4	3110-056	GASKET: ROPE, 1/4"
M5	3110-057	GASKET: ROPE, 3/8"
M6	5090-064	FRONT DOOR HINGE
M7	2010-970	FRONT DOOR: MATTE
M8	5090-063	FRONT DOOR LATCH
M9	5090-061	FRONT DOOR LATCH HOLDER
M10	2010-955	FRONT DOOR HANDLE: MATTE
M11	3900-184	WOODEN HANDLE

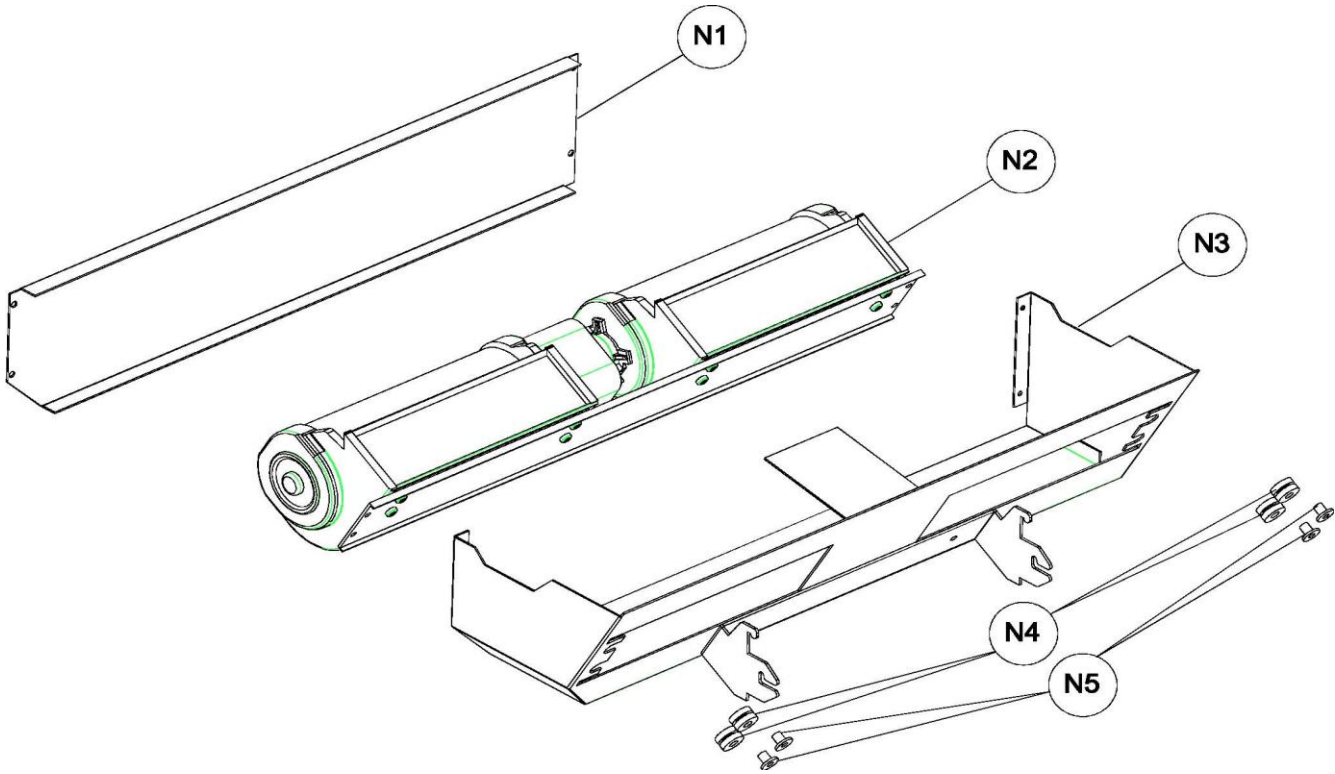


Figure 14 - Heritage 8091 Room Fan Assembly

Assembly N		
Key	Part Number	Description
N1	5909-332	SCREEN; CONVECTION FAN
N2	7211-951	FAN: BLOWER, ASSY, CONVECTION
N3	5909-331	HOUSING: CONVECTION FAN
N4	7000-130	GROMMET: SIL .45" PANEL x .25" ID, M-633
N5	7000-135	SLEEVE: .25"OD x .183"ID x .375", M-632