



Heritage

(Model 8090)

Pellet Stove

PARTS
Diagram &
Bill of Material

Production Dates: 2/16/2010 –

Serial Number: 001001 –

Please refer to the owner's manual before and after servicing this pellet fuel burning room heater. To reduce the risk of fire, follow all instructions. Failure to follow these instructions could result in property damage, bodily injury, or even death.



We recommend that our products be installed and serviced by professionals who are certified in the U.S. by NFI (National Fireplace Institute).

www.nficertified.org



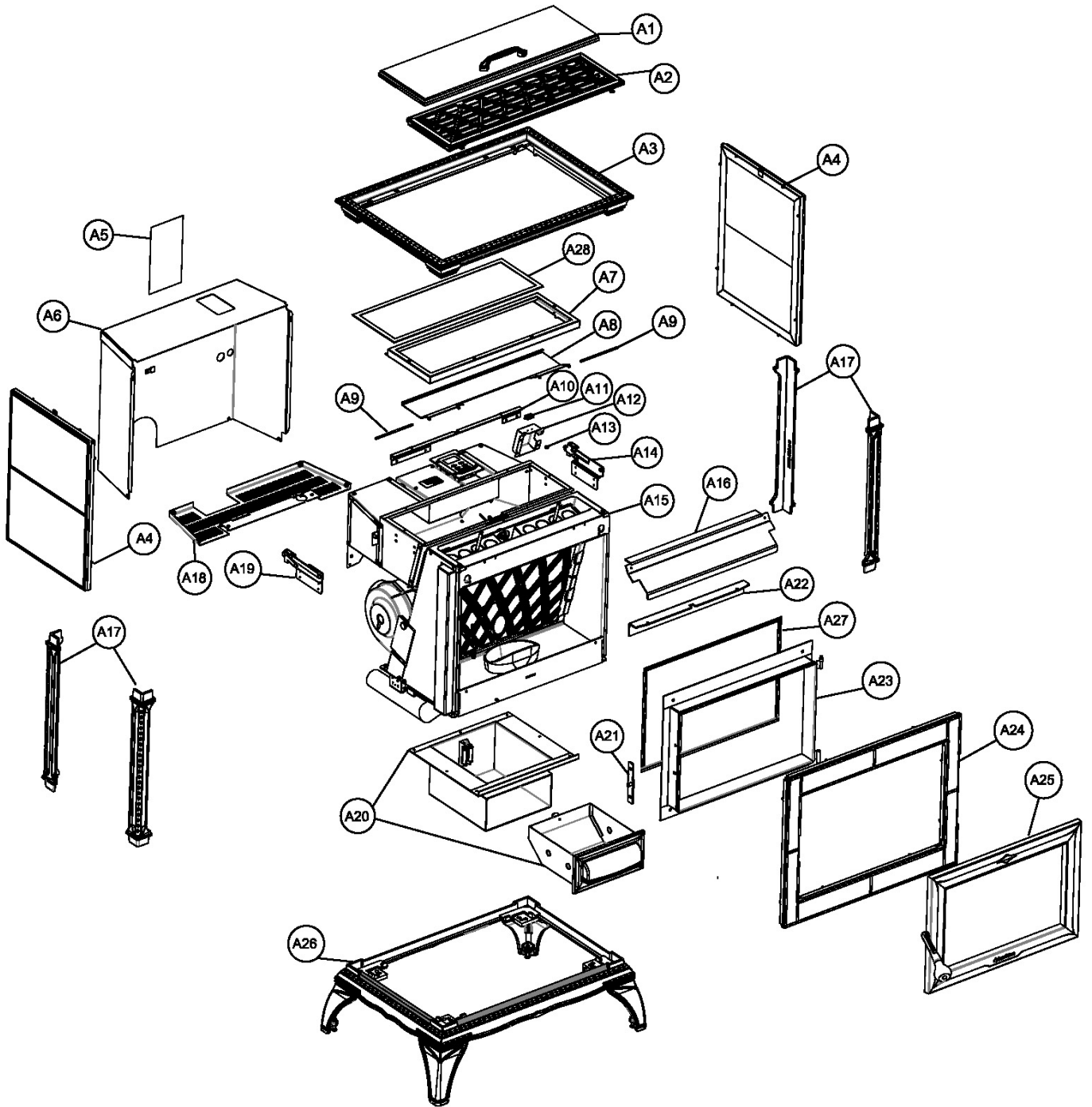


Figure 1 - Heritage 8090 Assembly



Model: Heritage 8090

Production Dates: February 16, 2010 -

Serial Number: 001001 -

Note: Specify color for enameled cast iron parts.

Key	Part Number	Description
Assembly A		
A1	Assm. H	LOADING DOOR ASSM.
A2	Assm. G	TOP GRILL ASSM.
A3	2010-990	TOP
A4	Assm. I	SIDE STONE ASSM.
A5	3300-634	SAFETY/RATING LABEL
A6	5909-085	REAR PANEL (SHROUD)
A7	5090-074	HOPPER EXTENSION
A8	5090-078	SECONDARY HOPPER DOOR
A9	5090-071	HINGE PIN: SECONDARY HOPPER DOOR
A10	5090-077	REAR TOP SUPPORT
A11	7300-020	SENSOR: HOPPER SAFETY
A12	5909-220	HOPPER CABLE CHANNEL
A13	7000-170	PANEL GROMMET
A14	5090-073	RIGHT HINGE: HOPPER DOOR
A15	3909-000	ENGINE
A16	5909-080	AIR WASH
A17	2010-930	SIDE LEG
A18	5909-090	BOTTOM REAR PANEL
A19	5090-072	LEFT HINGE: HOPPER DOOR
A20	Assm. K	ASH BOX & PAN GROUP ASSM.
A21	5090-062	FRONT DOOR CATCH
A22	5090-076	FRONT TOP SUPPORT
A23	5090-060	FRONT DOOR FRAME
A24	Assm. J	FRONT STONE ASSM.
A25	Assm. M	FRONT DOOR ASSM.
A26	Assm. F	BOTTOM CAST ASSM.
A27	3160-080	GASKET TAPE, 3/4"x1/16"

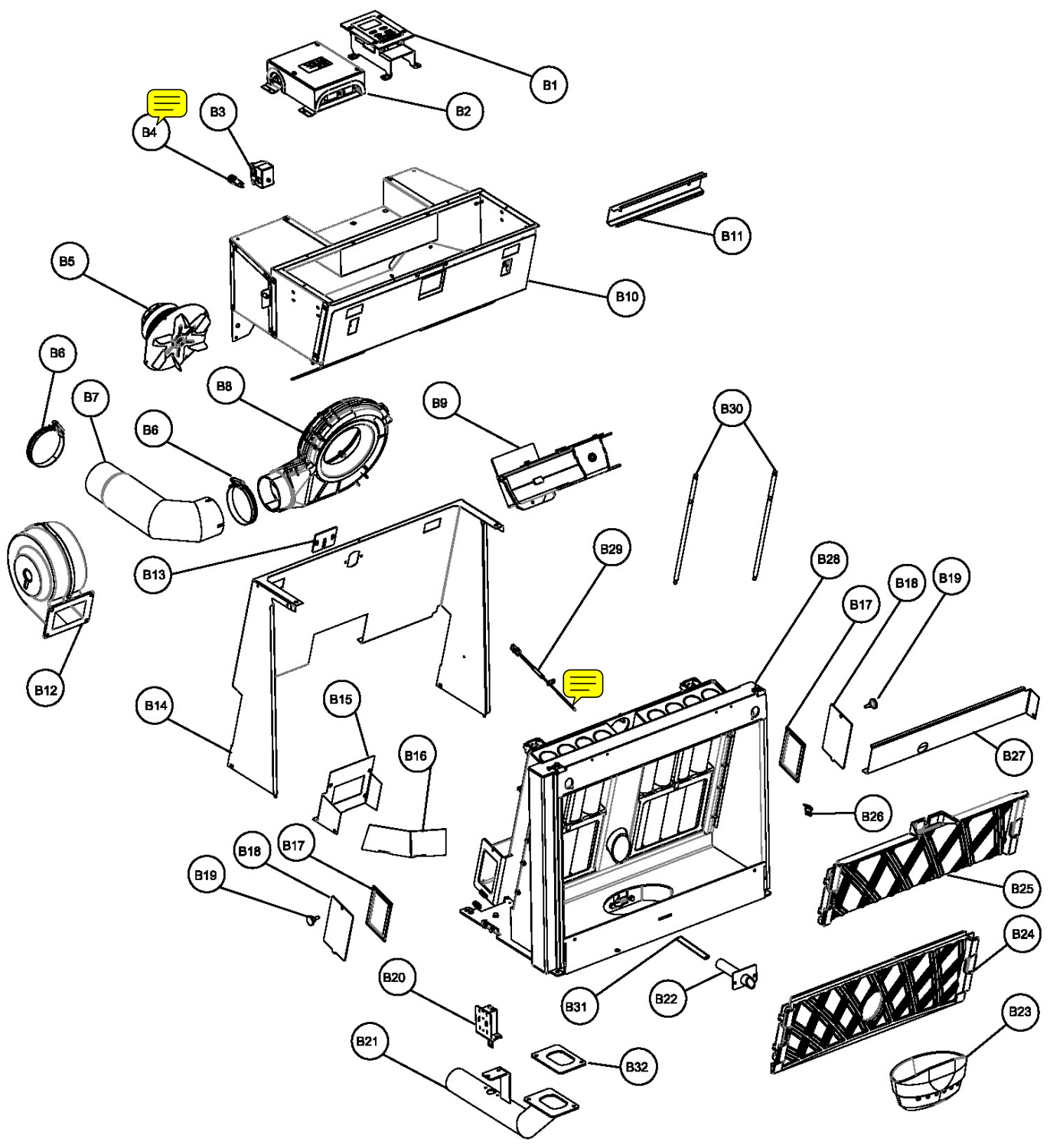


Figure 2 - Heritage 8090 Pellet Engine Assembly

Assembly B

B1	7300-010	CONTROL BOARD ASSM. <i>WITH BRACKET 5909-350</i>
B2	7300-000	MOTHERBOARD
B3	7300-025	TEMPERATURE SAFETY LIMIT SWITCH
B4	NA	FUSE HOLDER (PART OF HARNESS 7000-034)
B5	7211-967	EXHAUST FAN MOTOR
B6	4700-0660	HOSE CLAMP: 12MMWX70-90DIA
B7	5909-340	EXHAUST GAS PIPE
B8	5909-070	EXHAUST FAN HOUSING
B9	Assm. C	AUGER ASSM.
B10	Assm. L	HOPPER ASSM.
B11	5909-255	SENSOR WIRE CONDUIT
B12	7211-948	CONVECTION FAN ASSM.
B13	5909-345	PRESSURE PLATE
B14	5909-325	HEAT EXCHANGER HEAT SHIELD
B15	5909-330	CONVECTION FAN FLANGE
B16	5909-025	AIR FLOW DEFLECTOR
B17	3160-392	GASKET: 3/8"X 1/8"FLAT, KNIT BLK, 1/4"AD SP
B18	5909-020	SIDE COMBUSTION COVER
B19	4500-4695	KNURLED THUMB SCREW
B20	7300-005	AIR FLOW SENSOR
B21	5909-060	AIR INLET PIPE
B22	5909-095	IGNITER FERRULE
B23	2910-000	BURN POT
B24	Assm. E	LOWER BAFFLE ASSM.
B25	Assm. D	UPPER BAFFLE ASSM.
B26	5909-260	HOPPER BULB CLIP
B27	5909-335	CONVECTION AIR PLENUM
B28	5909-015	COMBUSTION CHAMBER
B29	7300-030	SENSOR: FLAME THERMOCOUPLE
B30	5210-3080	HEAT EXCHANGER CLEANING ROD
B31	7300-015	IGNITER ELEMENT
B32	3160-393	INLET TUBE GASKET
NA	7000-034	WIRING HARNESS - (Not Shown)

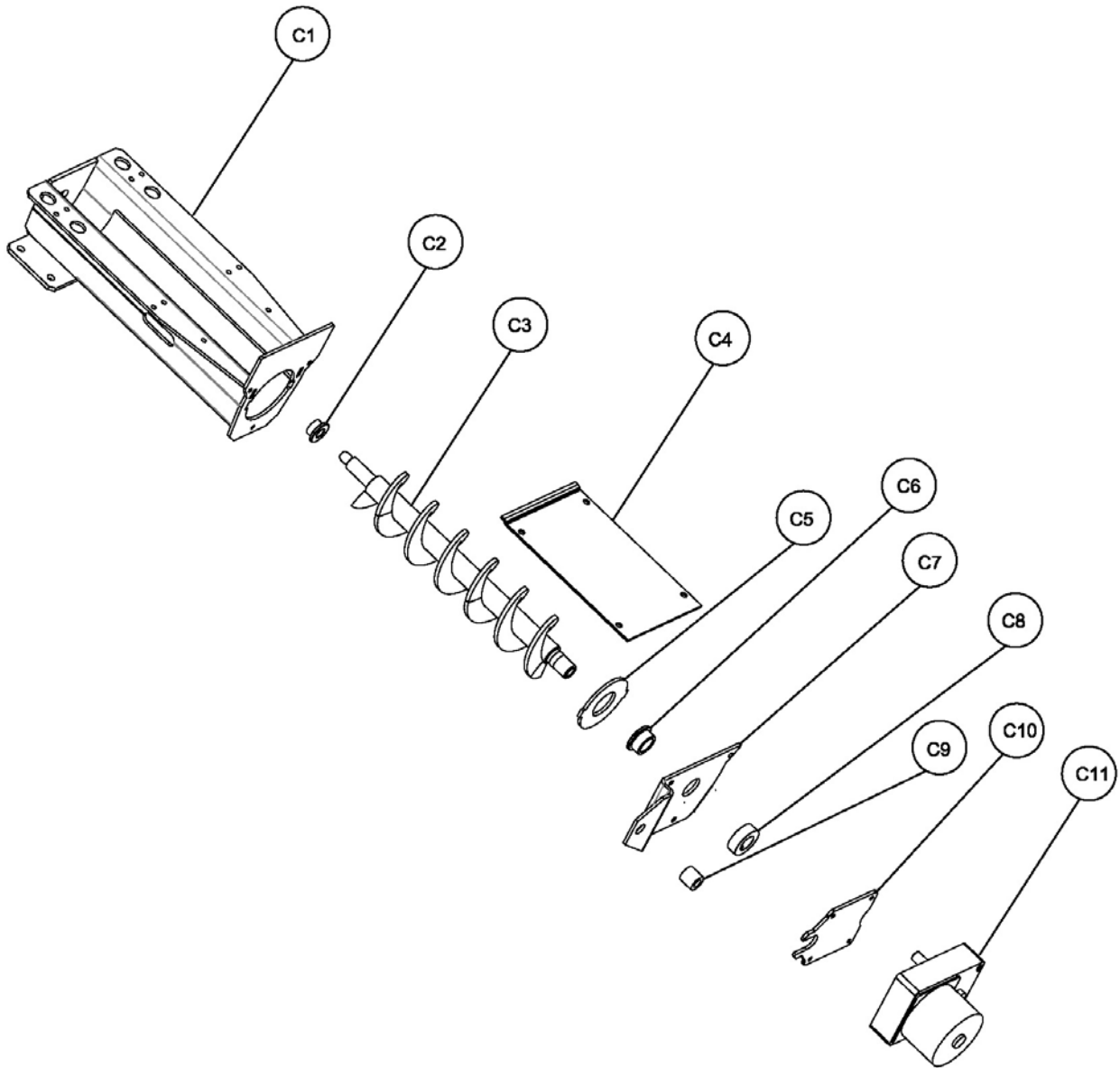


Figure 3 – Heritage 8090 Auger Assembly

Assembly C		
C1	5909-305	AUGER HOUSING
C2	5000-095	SINTERED BEARING
C3	5909-310	AUGER SCREW / SHAFT
C4	5909-315	AUGER FEED UNIT LID
C5	4600-0175	AUGER ACCESS WASHER
C6	5000-096	SINTERED BEARING
C7	5909-320	AUGER MOTOR BRACKET
C8	4600-0180	AUGER SHAFT CLAMP RING
C9	7000-175	WTR/AIR HOSE
C10	5909-323	AUGER MOTOR SUPPORT
C11	7211-970	AUGER MOTOR

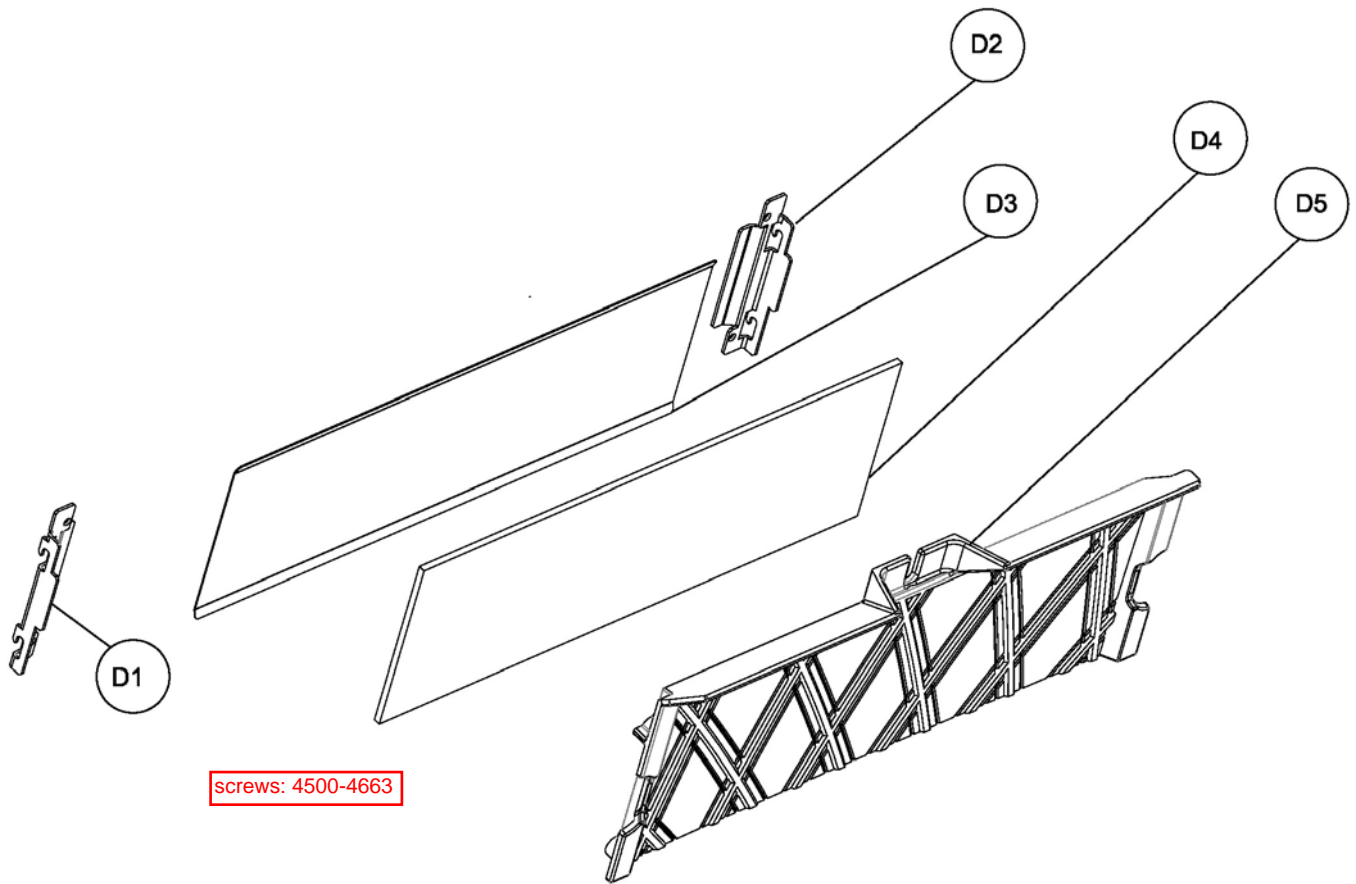


Figure 4 – Heritage 8090 Upper Baffle Assembly

Assembly D		
D1	5909-000	LEFT BAFFLE MOUNT BRACKET
D2	5909-005	RIGHT BAFFLE MOUNT BRACKET
D3	5909-010	UPPER BAFFLE INSULATION GUARD
D4	3120-220	UPPER BAFFLE CERAMIC HEATSHIELD
D5	2910-005	UPPER BAFFLE

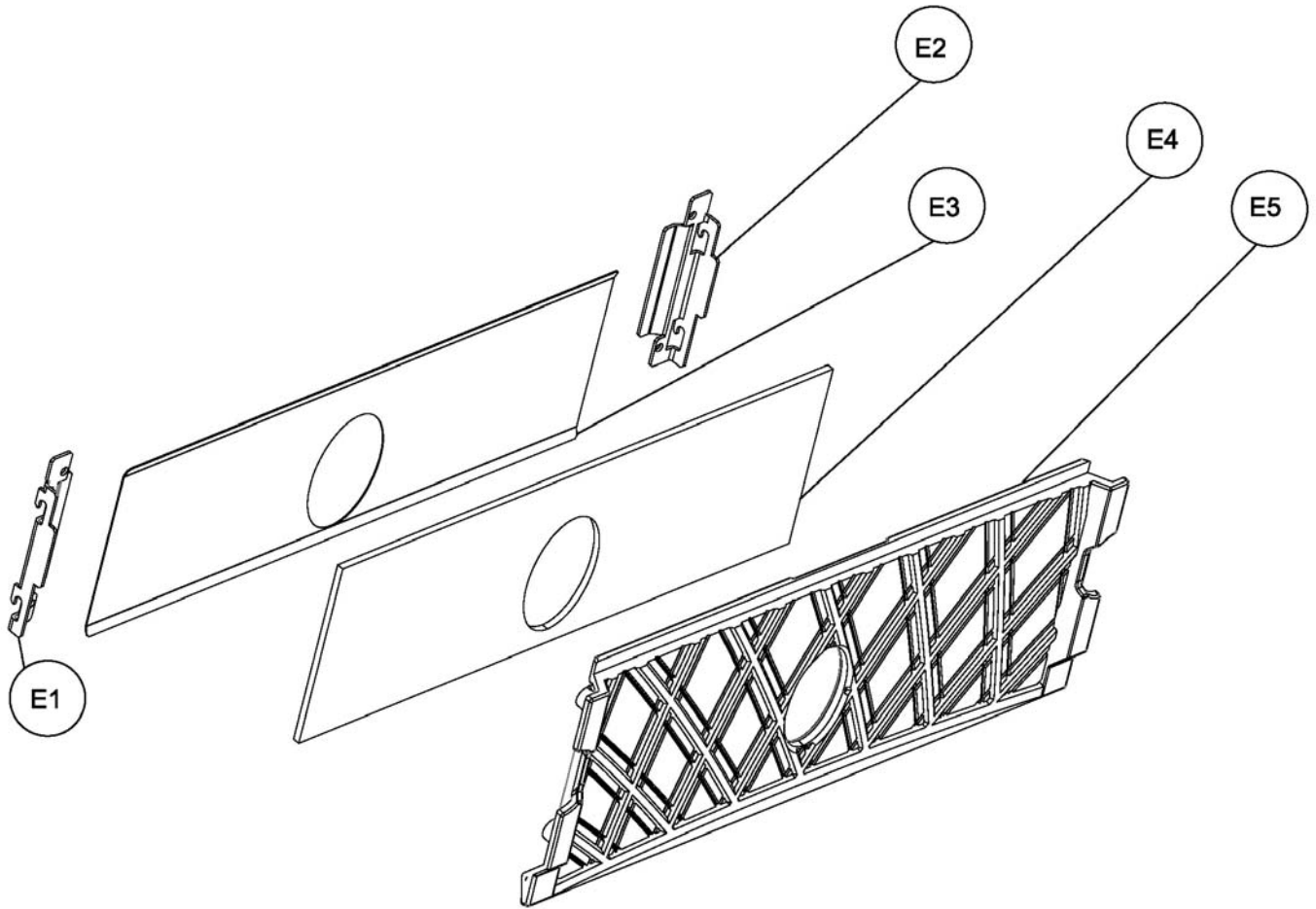


Figure 5 – Heritage 8090 Lower Baffle Assembly

Assembly E		
E1	5909-000	LEFT BAFFLE MOUNT BRACKET
E2	5909-005	RIGHT BAFFLE MOUNT BRACKET
E3	5909-011	LOWER BAFFLE INSULATION GUARD
E4	3120-221	LOWER BAFFLE CERAMIC HEATSHIELD
E5	2910-010	LOWER BAFFLE

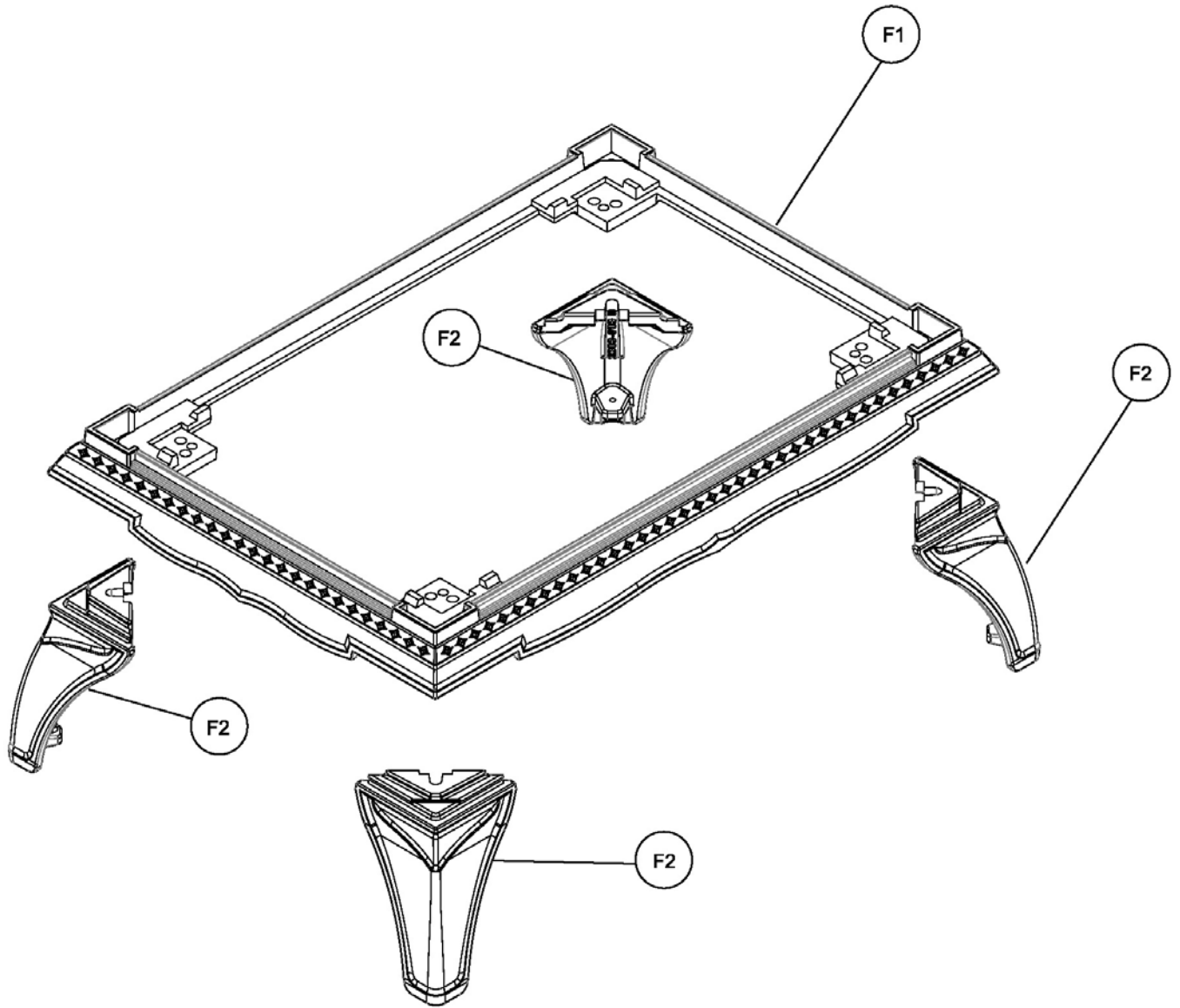


Figure 6 – Heritage 8090 Bottom Assembly

Assembly F		
F1	2010-925	BOTTOM: MATTE
F2	2010-910	FOOT: MATTE

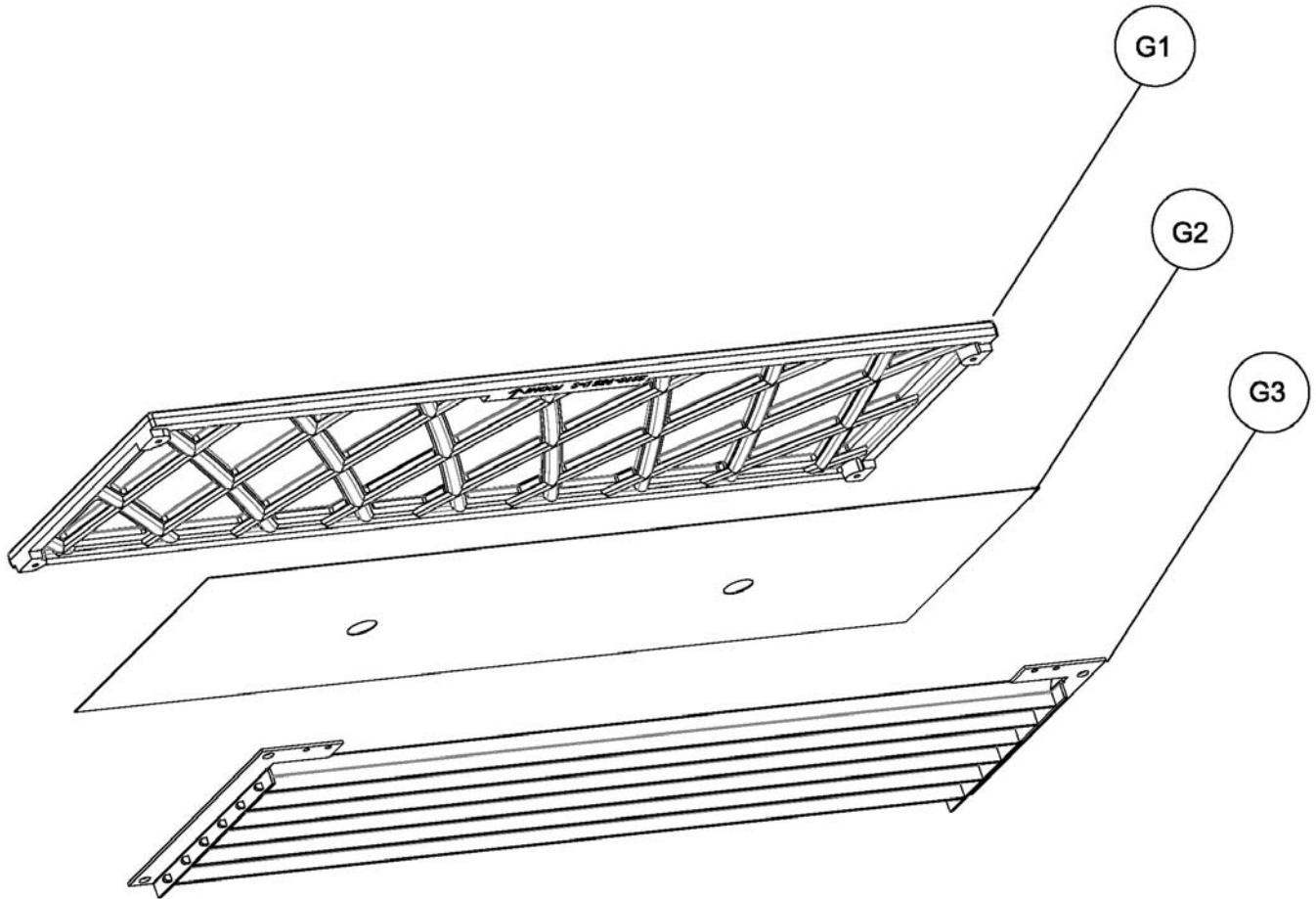


Figure 7 - Heritage 8090 Grill Assembly

Assembly G		
G1	2010-995	TOP GRILL, MATTE
G2	5090-069	OUTLET GRILL SCREEN
G3	5090-070	AIR CIRCULATION LOUVER

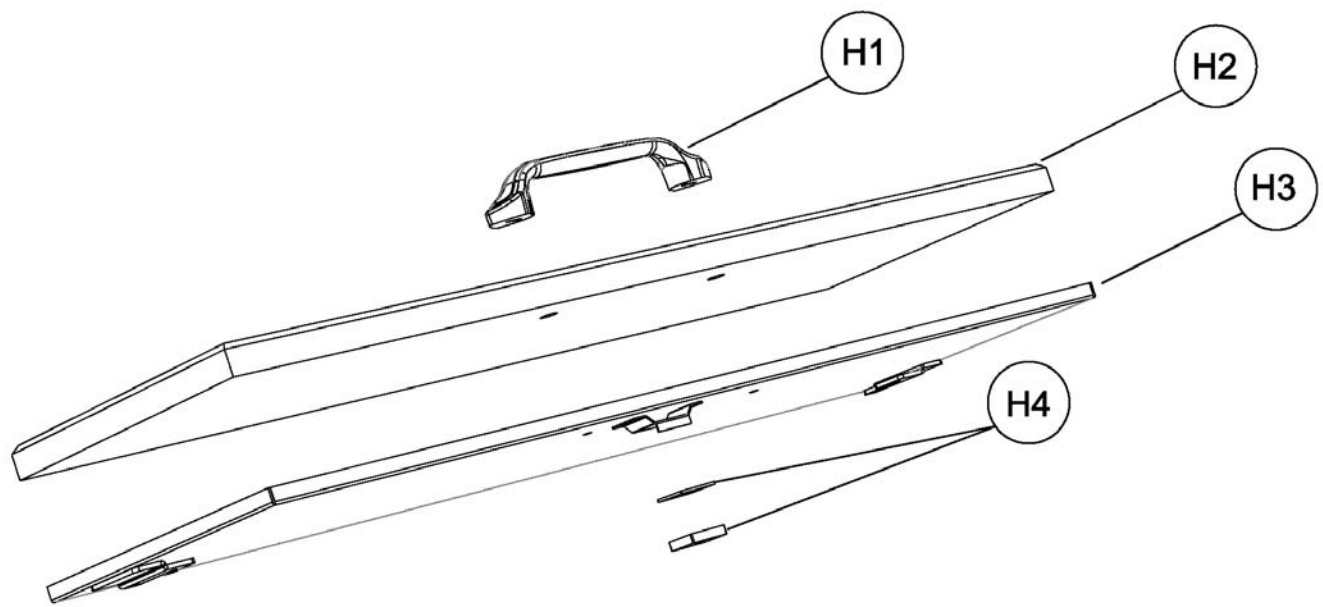


Figure 8 - Heritage 8090 Hopper Door Assembly

Assembly H		
H1	2010-997	LOAD DOOR HANDLE
H2	1930-210	HOPPER DOOR STONE, SAHARA
H2	1941-210	HOPPER DOOR STONE, POL
H3	5090-075	HOPPER DOOR
H4	4700-0795	MAGNET

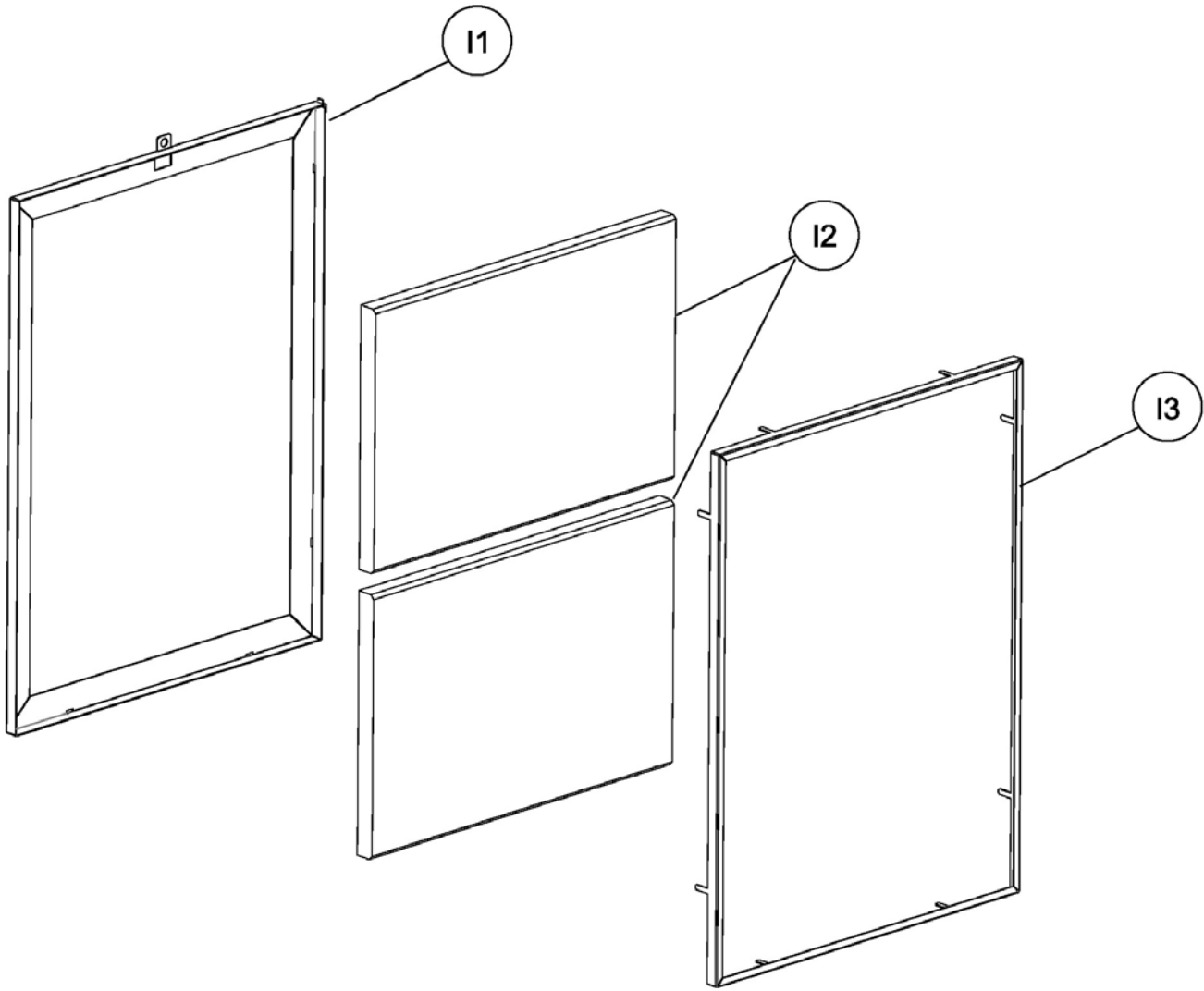


Figure 9 - Heritage 8090 Side Stone Assembly

Assembly I		
I1	5090-022	OUTER SIDE STONE FRAME
I2	1930-225	SIDE STONE, SAHARA
I2	1941-225	SIDE STONE, POL
I3	5090-021	INNER SIDE STONE FRAME

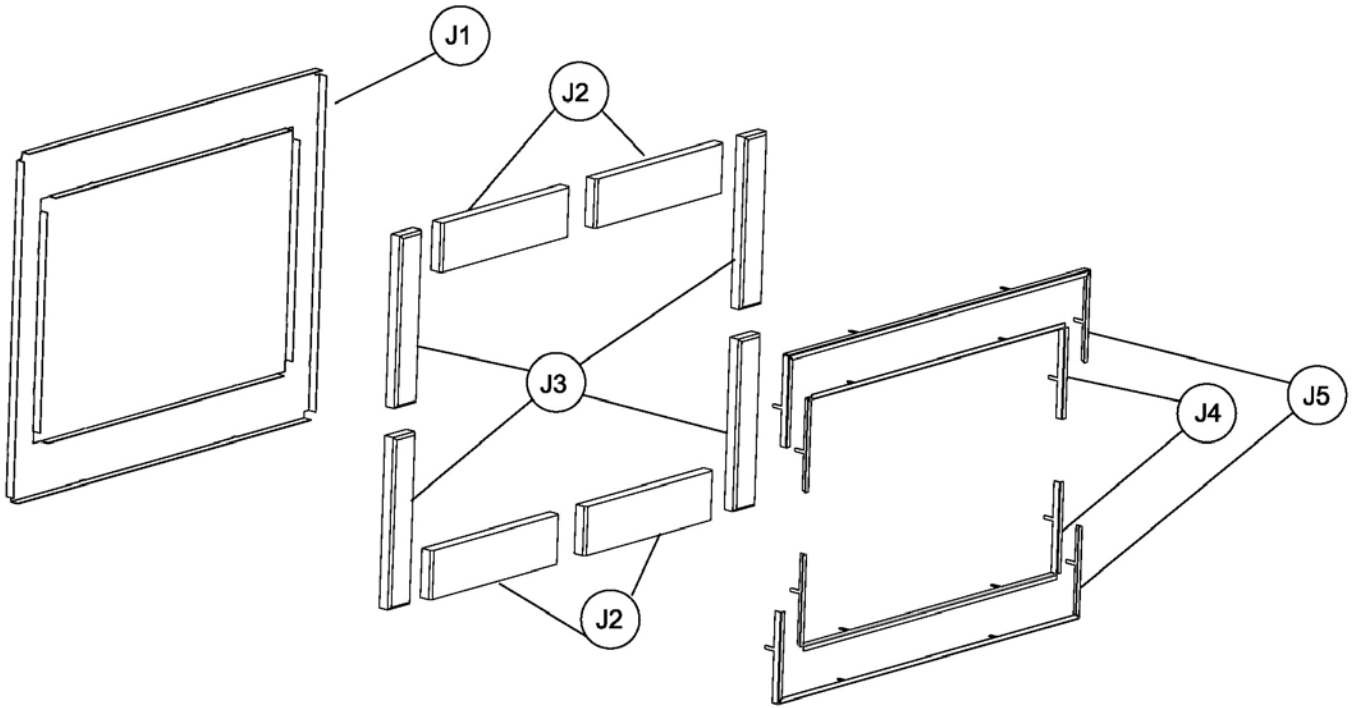


Figure 10 - Heritage 8090 Front Stone Assembly

Assembly J		
J1	5090-019	FRONT STONE FRAME
J2	1930-220	FRONT HORIZONTAL STONE, SAHARA
J2	1941-220	FRONT HORIZONTAL STONE, POL
J3	1930-215	FRONT VERTICAL STONE, SAHARA
J3	1941-215	FRONT VERTICAL STONE, POL
J4	5090-018	FRONT INNER STONE RETAINER
J5	5090-017	FRONT OUTER STONE RETAINER

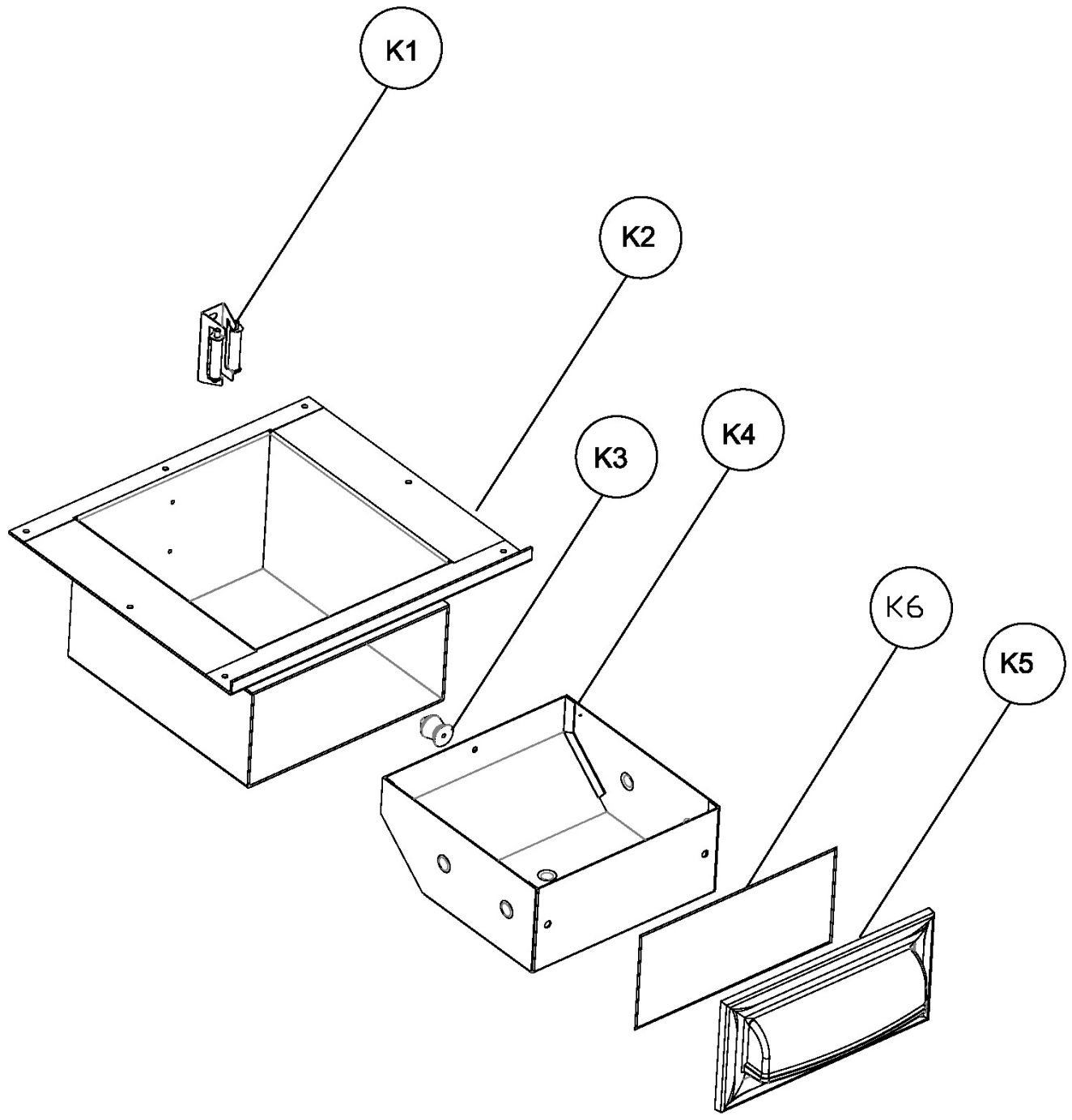


Figure 11 - Heritage 8090 Ash Drawer Assembly

Assembly K		
K1	5240-145	ASH PAN CATCH SPRING
K2	5090-015	OUTER ASH BOX FRAME
K3	5240-146	ASH PAN CATCH KNOB
K4	5090-010	ASH PAN
K5	2010-915	ASH DOOR: MATTE

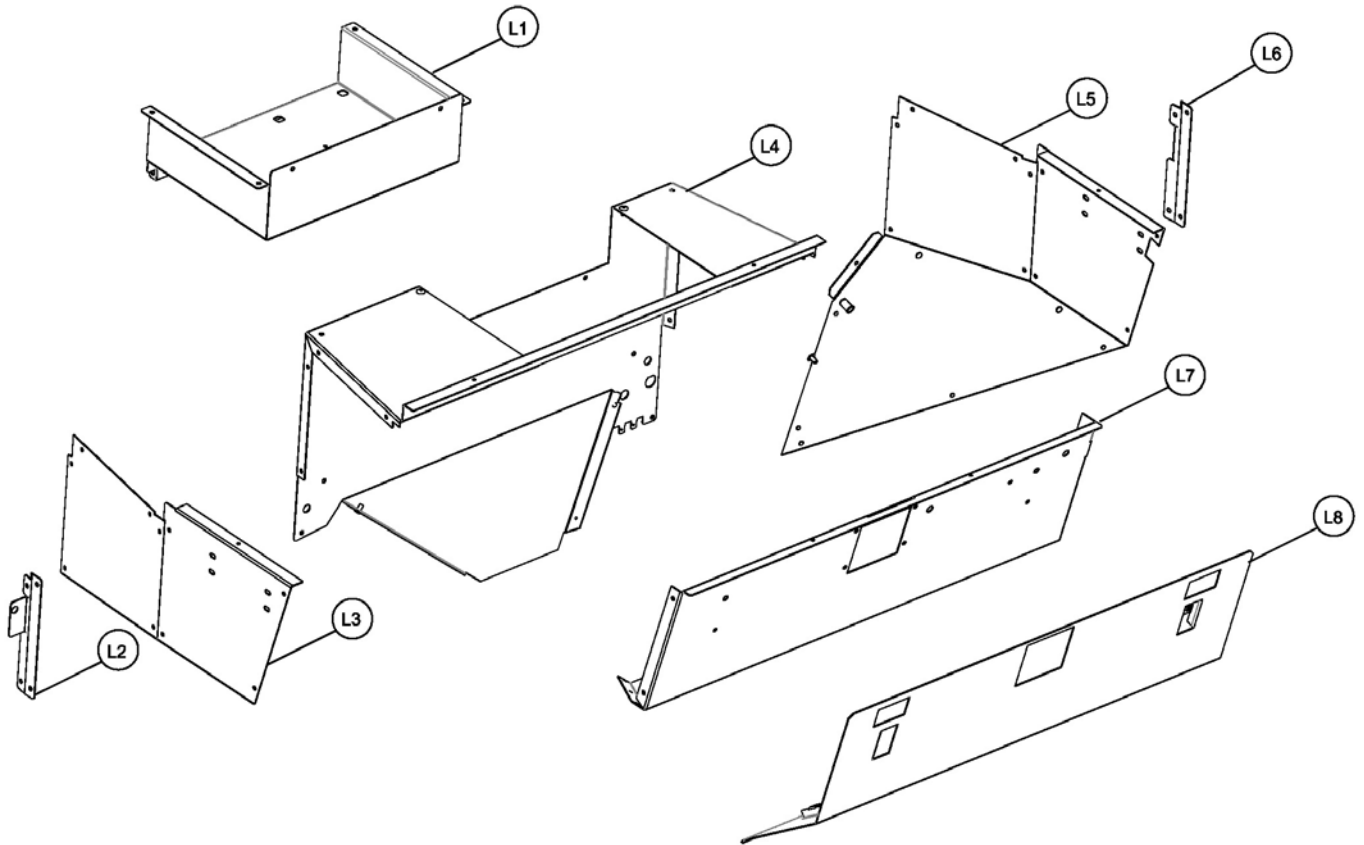


Figure 12 - Heritage 8090 Hopper Assembly

Assembly L		
L1	5909-225	HOPPER: DISPLAY BASE
L2	5909-240	HOPPER: REAR PANEL BRACKET,FRNT/LT,PEL
L3	5909-210	HOPPER: LEFT
L4	5909-215	HOPPER: BACK
L5	5909-235	HOPPER: RIGHT
L6	5909-245	HOPPER: REAR PANEL BRACKET,FRNT/RT,PEL
L7	5909-245	HOPPER: REAR PANEL BRACKET,FRNT/RT,PEL
L8	5909-230	HOPPER HEAT SHIELD

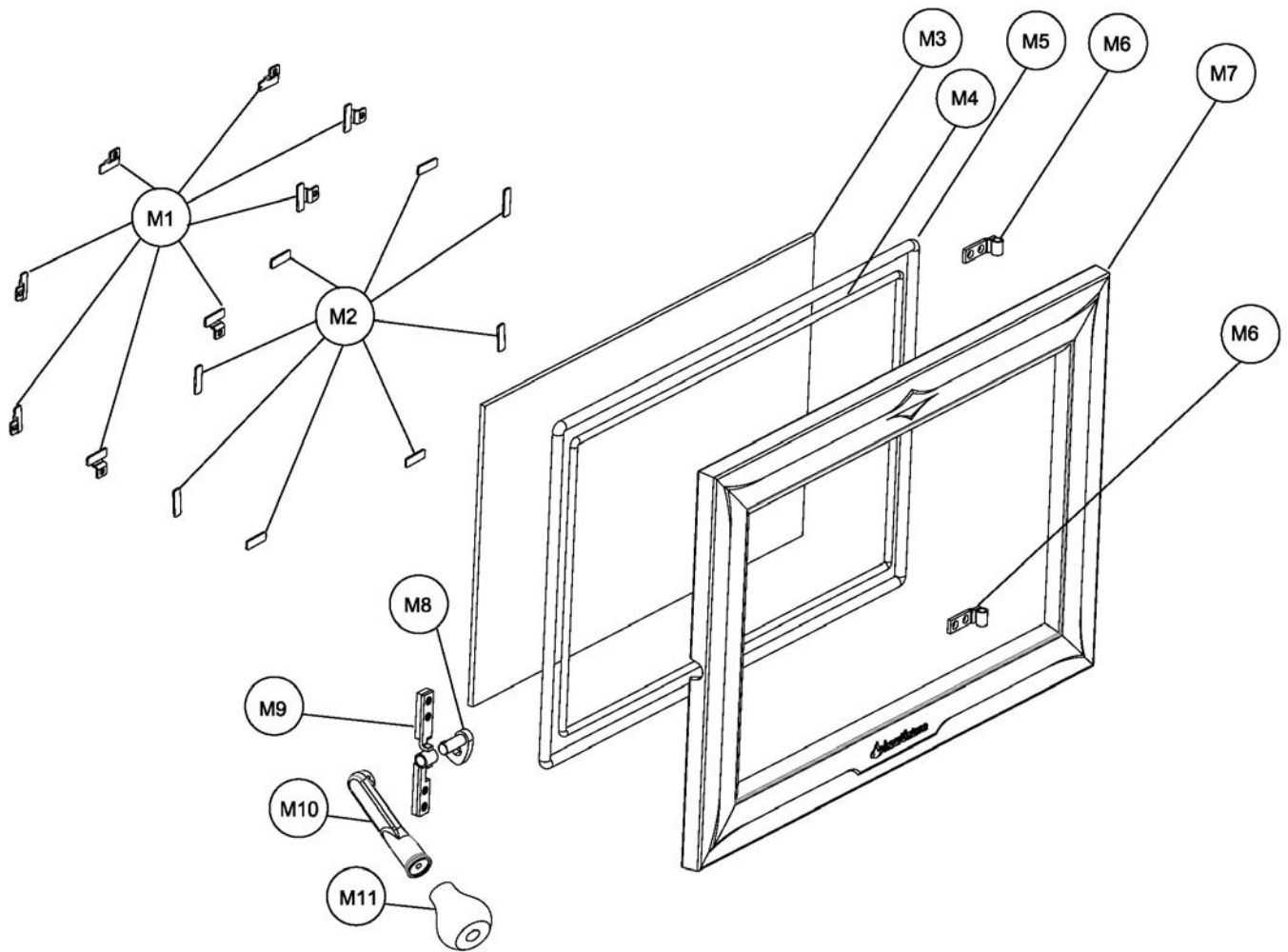


Figure 13 - Heritage 8090 Front Door Assembly

Assembly M		
M1	5021-060	GLASS CLIP
M2	3120-021	GLASS CLIP GASKET: BLACK
M3	3030-026	GLASS
M4	3110-056	GASKET: ROPE, 1/4"
M5	3110-057	GASKET: ROPE, 3/8"
M6	5090-064	FRONT DOOR HINGE
M7	2010-970	FRONT DOOR: MATTE
M8	5090-063	FRONT DOOR LATCH
M9	5090-061	FRONT DOOR LATCH HOLDER
M10	2010-955	FRONT DOOR HANDLE: MATTE
M11	3900-184	WOODEN HANDLE