

Technical Data Sheet

Green Mountain 8640, 8660, and 8680 Door and Bypass Handle Replacement Instructions Assembly 96-71400

INCLUDED IN KIT:

- (1) 3900-175 - Wood Handle
- (1) 4500-1377 - Handle Screw
- (3) 4600-0400 - Split Washer

TOOLS REQUIRED:

- Pair of Work Gloves
- 5/32" Allen Wrench
- Pliers or Vise Grips
- Phillips Screwdriver

BEFORE YOU BEGIN: *Always work on a cool stove.* Read the instructions thoroughly before starting the repair. Identify all parts included in the kit. Report any shortages to your dealer.

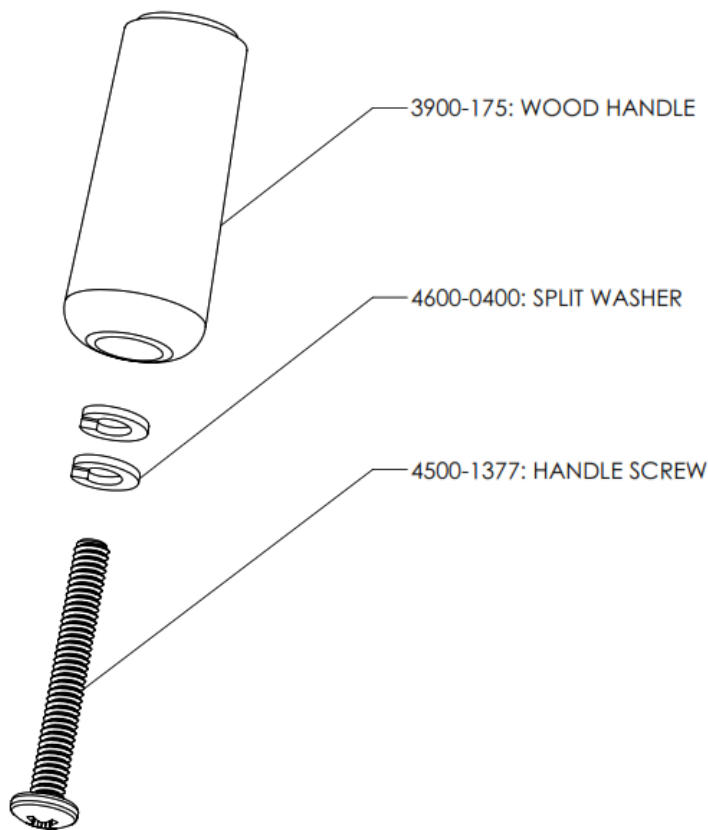


Figure 1: Handle Components

- (1) If old handle is still in place, use the screwdriver turn out the screw that holds the wooden handle to the latch assembly. Discard old handle and fasteners.
- (2) Thread washers and screw through new wooden handle as shown in Figure 1.
- (3) Use screwdriver to tighten screw into cast iron crank on latch assembly.
- (4) If not enough thread is exposed to engage securely, remove split washers to adjust fit.