

# Technical Data Sheet

## Installation of the Equinox Model 8000 Side Door Lock Kit *Assembly 90-70200*

**Date:** 3/17/2008

### **KIT CONTENTS:**

- (1) Latch (5900-150)
- (1) Black Washer (4600-0320)
- (1) ¼-20 x 1 Button Head Cap Screw (4500-1040)
- (1) Label (3300-103)
- (1) Attaching Ring (4700-0200)

### **TOOLS REQUIRED:**

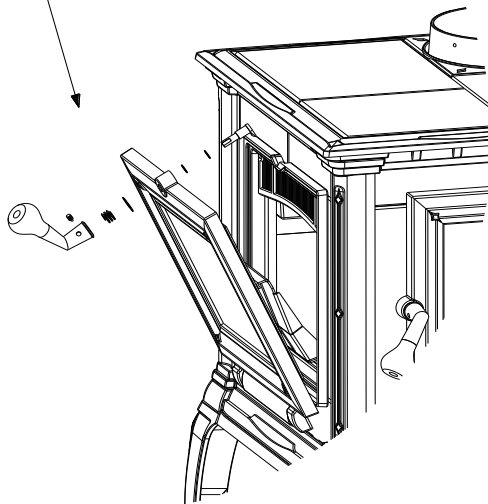
- 5/32 Allen Wrench

**BEFORE YOU BEGIN:** Work on a cool stove. You will need access the side door of the unit.

### **PROCEDURE:**

1. Open the side door by turning the handle clockwise. Use the 5/32 Allen Wrench to remove the set screw from the handle crank. Remove all the latch components (refer to figure 1).

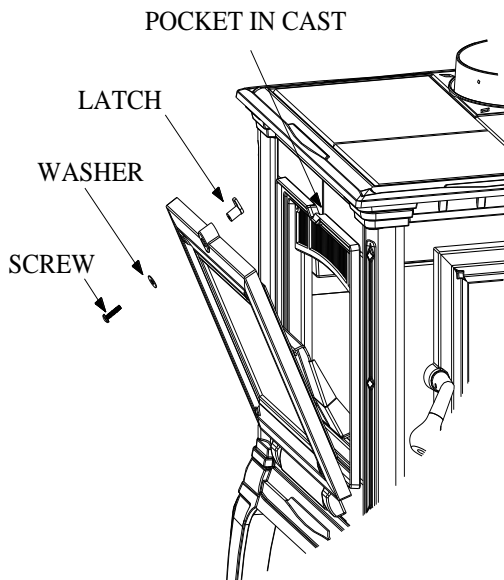
STEP #1 REMOVE ALL  
HANDLE COMPONENTS



**Figure 1**

2. Install kit as shown in figure 2, keeping the parts loose.

STEP #2 INSTALL KIT COMPONENTS AS SHOWN.  
KEEP PARTS LOOSE AND SEE STEP # 3



**Figure 2**

3. After installing the kit loosely, hold door closed and rotate latch counter clockwise to allow the latch to fall into the pocket in the cast door frame.
4. With the latch in the pocket pull the door open - ensuring the latch does not move. Slowly tighten the screw and allow the door to be drawn to the stove while keeping outward pressure on the door until the screw is tight.
5. Attach the label to the safety label cable on the stove using the link ring provided.