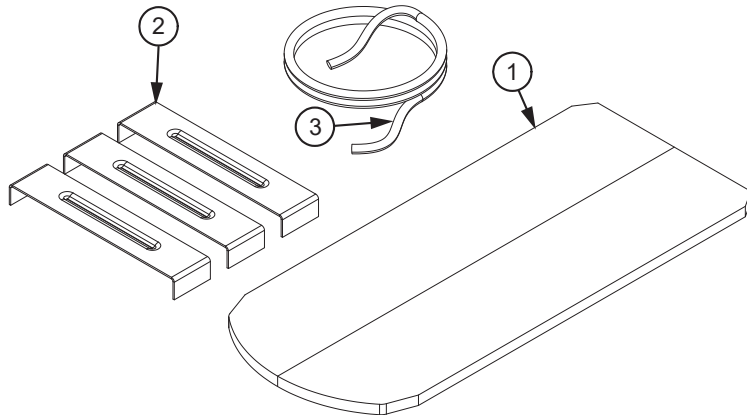


Baffle Board Kit Instruction Sheet



Model Number:

88329Kit



Key	Part#	Description
1	88329	Baffle Board
2	893312	Baffle Bracket
3	88033	3/8" Rope Gasket (6ft)

853847

CAUTION!

- **HOT WHILE IN OPERATION ALLOW THE STOVE TO THOROUGHLY COOL BEFORE SERVICING.**
- **THE STOVE IS VERY HEAVY. THE ASSISTANCE FROM A SECOND PERSON IS STRONGLY SUGGESTED. PLEASE USE PROPER LIFTING TECHNIQUE.**

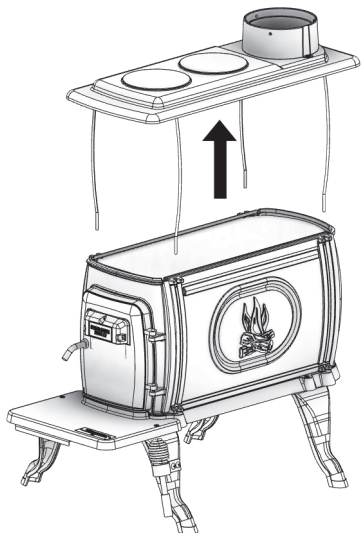
2. Each corner of the unit has a rod that runs from the top of the stove to the bottom. Once the ratchet strap is securely in place, reach under the stove and remove the nut and washer from each rod.

BAFFLE BOARD REPLACEMENT

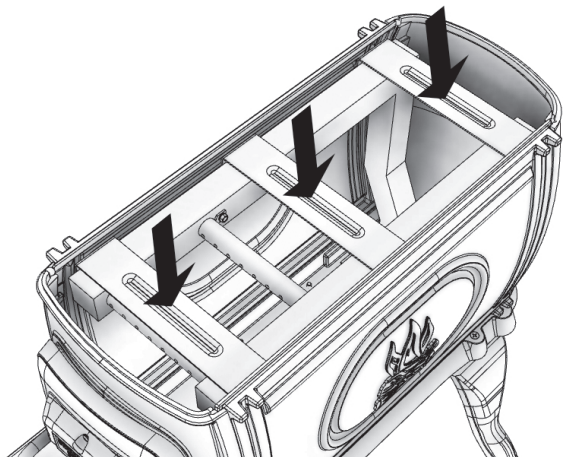
1. Wrap a ratchet strap (not included) around the front, sides, and rear of the stove. Note: To prevent damage to the body of the stove, put a protective layer between the strap and the stove body before tightening the strap down.



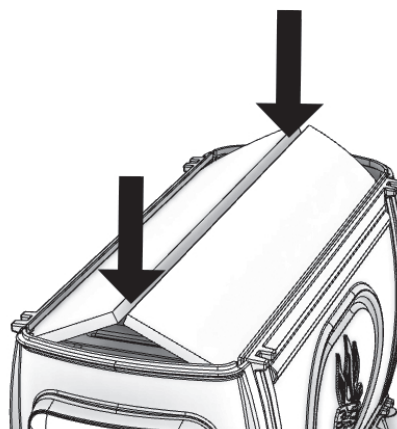
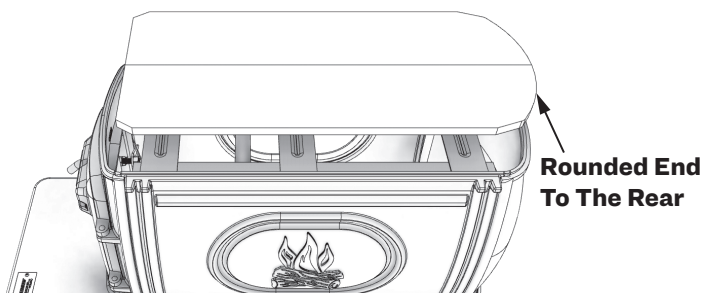
3. Lift the main top up off of the stove to gain access to the baffle. Note: Once the main top has been removed from the body of the stove, the main top's rope gasket must be replaced if the stove has had prior use (see the "Rope Gasket Replacement" section).



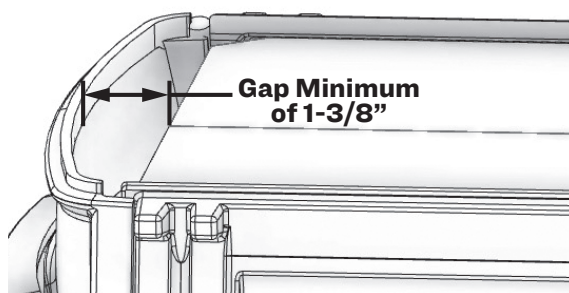
4. Remove the old baffle. Place the three baffle brackets onto the tube weldment and evenly space them apart.



5. Slide one side of the baffle into place followed by the other. Note: The rounded end of the baffle will be placed at the rear of the stove. Slightly lift the middle of both baffle boards to form a triangle. Evenly push the middle of both baffle boards down at the same time being very careful not to damage them in any way.



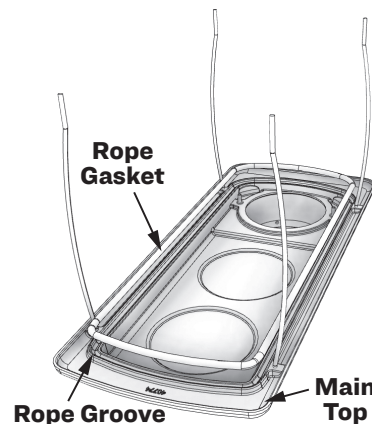
NOTE: Maintain a minimum gap of 1-3/8" between the inside front of the stove and the baffle to ensure proper stove operation.



ROPE GASKET REPLACEMENT

ATTENTION: The rope gasket will only need to be replaced if the stove has previously been burnt.

1. Remove the current rope gasket from the rope groove of the main top.
2. Clean any remaining silicone out of the rope groove.
3. The rope gasket is supplied with a self-adhesive strip. Remove the self-adhesive strip backing to secure the new rope gasket into place.



4. Put the main top back onto the stove and secure into place with the previously removed nuts and washer.